



US00D803608S

(12) **United States Design Patent**
Nakamura et al.

(10) **Patent No.:** **US D803,608 S**

(45) **Date of Patent:** **** Nov. 28, 2017**

(54) **CHAIR**

(71) Applicant: **ITOKI CORPORATION**, Osaka-shi,
Osaka (JP)

(72) Inventors: **Yasuhiro Nakamura**, Tokyo (JP); **Koki Sato**, Osaka (JP)

(73) Assignee: **ITOKI CORPORATION**, Osaka-shi,
Osaka (JP)

(**) Term: **15 Years**

(21) Appl. No.: **29/559,795**

(22) Filed: **Mar. 31, 2016**

(30) **Foreign Application Priority Data**

Oct. 1, 2015 (JP) 2015-021676

(51) **LOC (10) Cl.** **06-01**

(52) **U.S. Cl.**
USPC **D6/716; D6/366**

(58) **Field of Classification Search**

USPC D6/334-336, 366, 367, 369, 379, 380,
D6/716, 716.1, 716.2, 716.4

CPC A47C 7/40; A47C 7/44; A47C 7/46; A47C
7/022; A47C 7/282; A47C 7/285

See application file for complete search history.

(56) **References Cited**

U.S. PATENT DOCUMENTS

D548,994 S * 8/2007 Mao D6/366
D665,589 S * 8/2012 Wagner D6/366

D706,566 S * 6/2014 Giugiaro D6/716.4
D707,460 S * 6/2014 Giugiaro D6/366
D741,100 S * 10/2015 Chan D6/716.4
D763,587 S * 8/2016 Neil D6/366
D772,592 S * 11/2016 Su D6/366
D773,199 S * 12/2016 Neil D6/366
9,578,968 B2 * 2/2017 Masunaga A47C 7/46

* cited by examiner

Primary Examiner — Mimoso De

(74) *Attorney, Agent, or Firm* — Drinker Biddle & Reath
LLP

(57) **CLAIM**

The ornamental design for a chair, as shown and described.

DESCRIPTION

FIG. 1 is a perspective view of the top, front and right side of a chair showing our new design;

FIG. 2 is a perspective view of the top, rear and left side thereof;

FIG. 3 is a front view thereof;

FIG. 4 is a rear side view thereof;

FIG. 5 is a top view thereof;

FIG. 6 is a bottom view thereof; and,

FIG. 7 is a right side view thereof, a left side view being a mirror image thereof.

The portions of the article in broken lines are shown for illustrative purposes only and form no part of the claimed design.

1 Claim, 7 Drawing Sheets

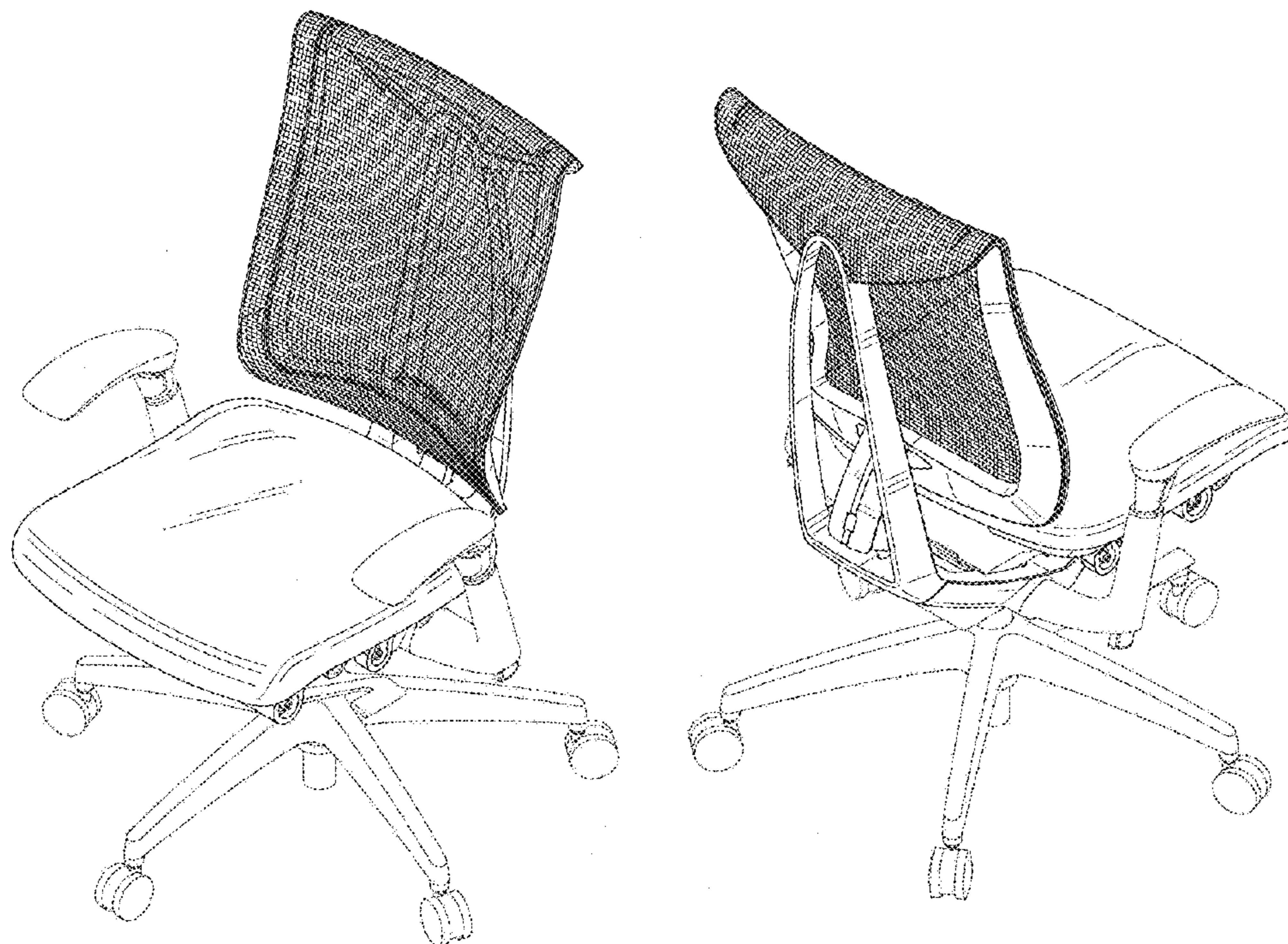


Fig. 1



Fig. 2

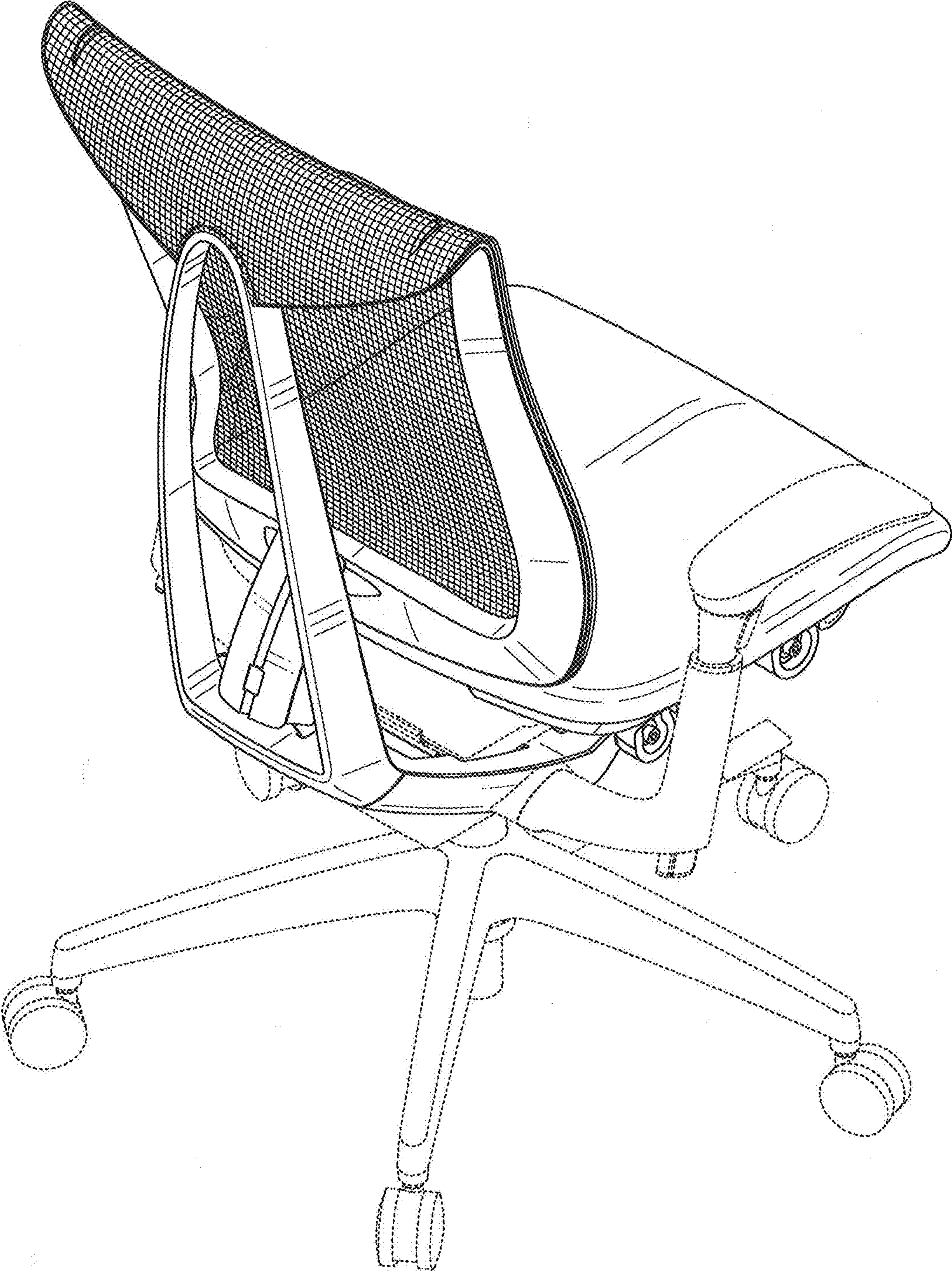


Fig. 3

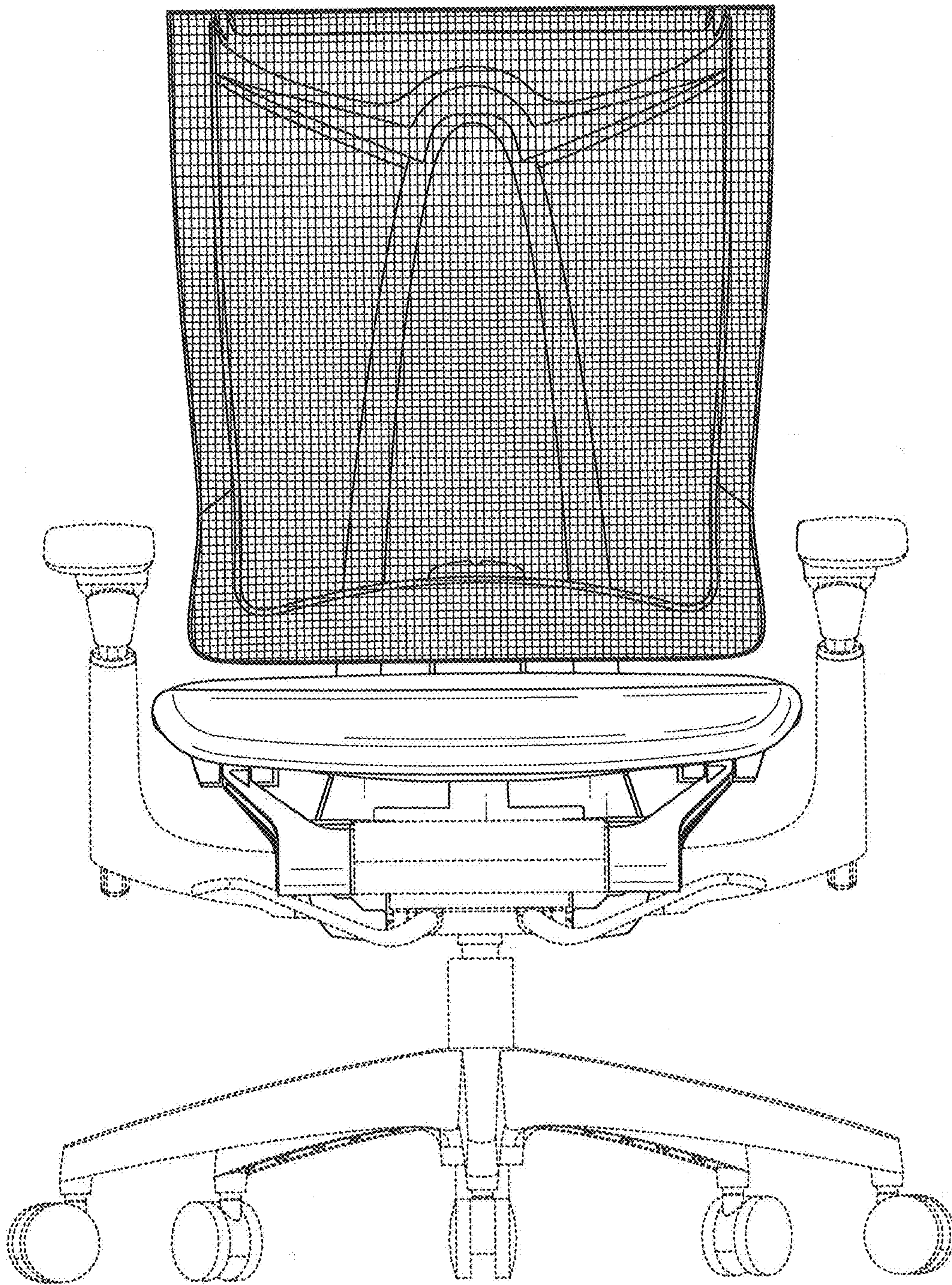


Fig. 4

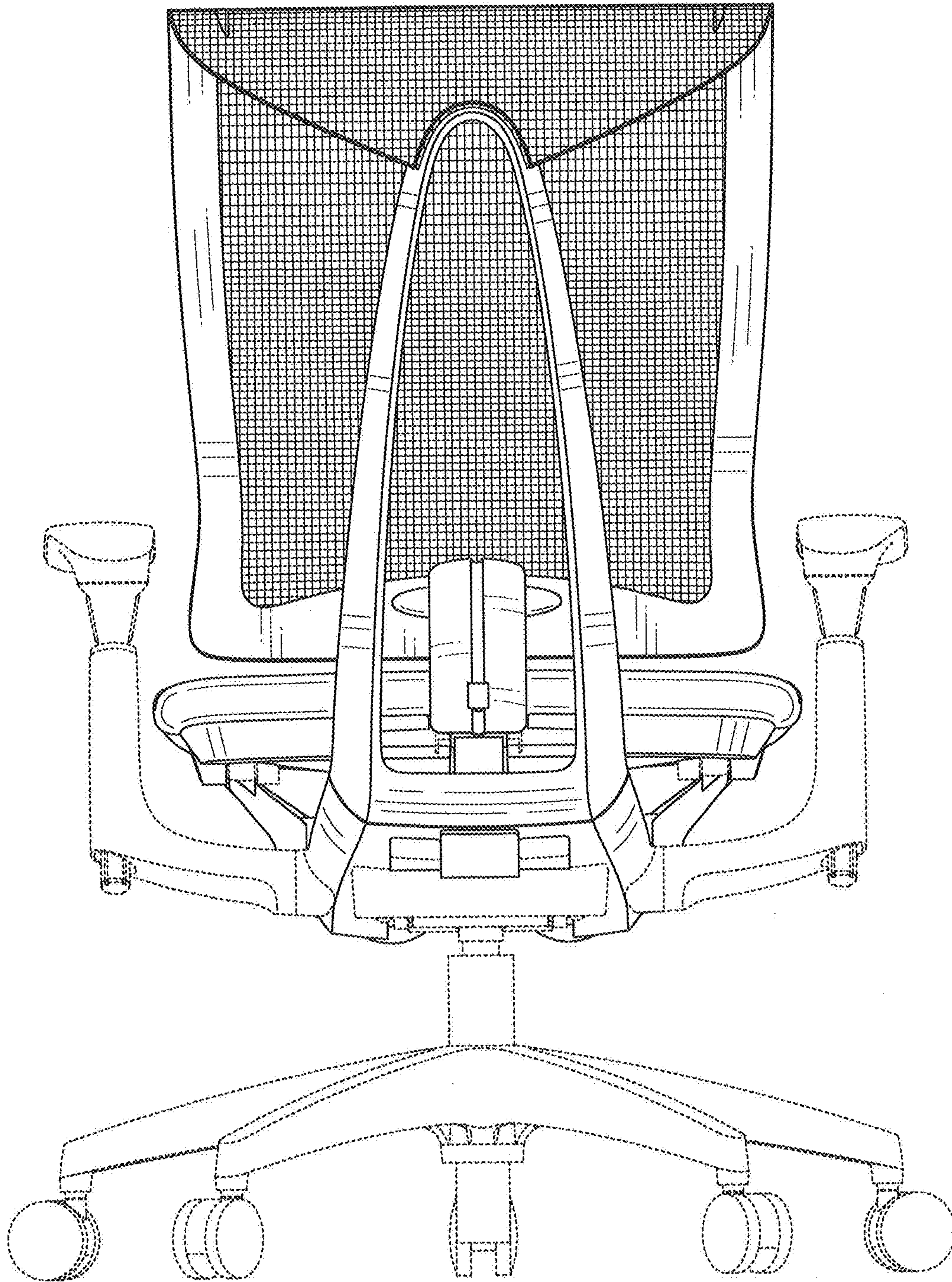


Fig. 5

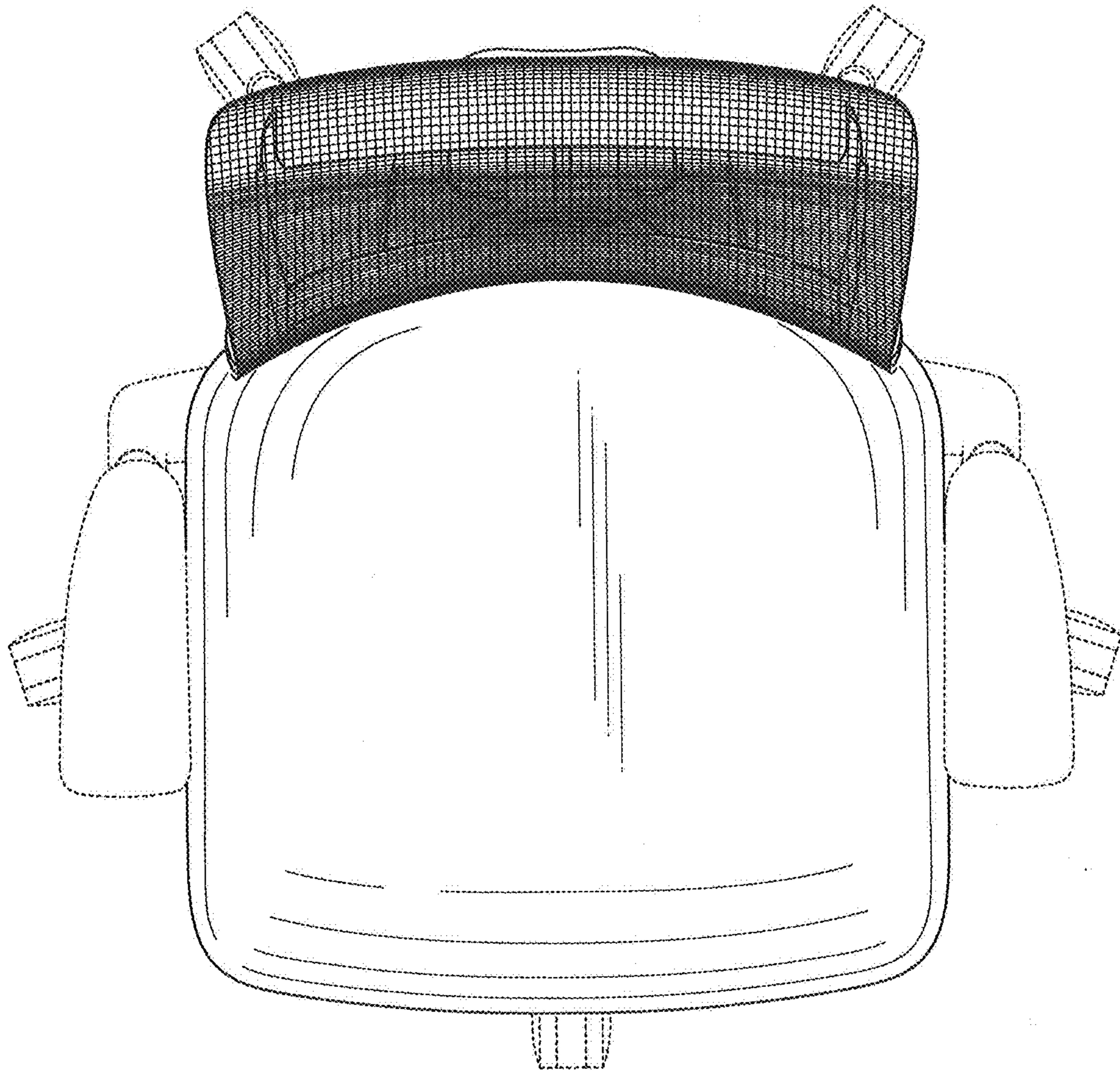


Fig. 6

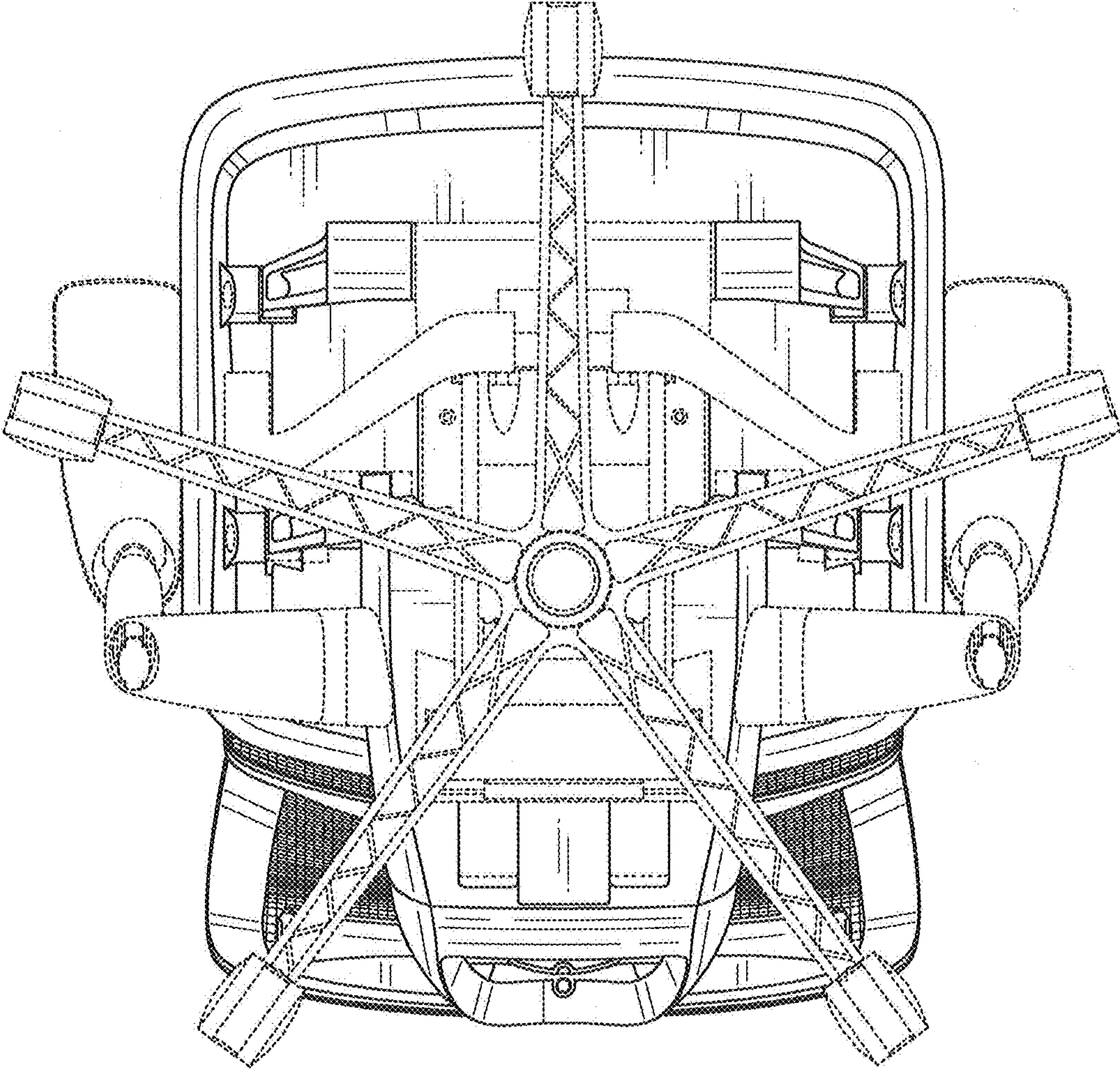


Fig. 7

