



US00D803607S

(12) **United States Design Patent** (10) **Patent No.:** **US D803,607 S**
Woodward et al. (45) **Date of Patent:** **** Nov. 28, 2017**

(54) **SPORT THEMED TABLE**
(71) Applicants: **Robert Woodward**, Oregon City, OR
(US); **Denise Woodward**, Oregon City,
OR (US)
(72) Inventors: **Robert Woodward**, Oregon City, OR
(US); **Denise Woodward**, Oregon City,
OR (US)
(**) Term: **15 Years**

D412,802 S * 8/1999 Beldo D6/337
D431,738 S * 10/2000 Wistehuff, Sr. D6/688.19
D488,335 S * 4/2004 Kerr D21/357
D534,009 S * 12/2006 Juneau D6/657
D590,630 S * 4/2009 Singler D6/663
D592,422 S * 5/2009 Rheault D6/657
D618,475 S * 6/2010 Urquiola D6/692.3
D714,393 S * 9/2014 Harrell D21/397
D720,949 S * 1/2015 Lehmann D6/657
D730,086 S * 5/2015 Kitada D6/643
D730,658 S * 6/2015 Dillon D6/643
D743,188 S * 11/2015 Denby D6/643
D743,195 S * 11/2015 McQuaid D6/707

* cited by examiner

(21) Appl. No.: **29/547,536**
(22) Filed: **Dec. 4, 2015**
(51) **LOC (10) Cl.** **06-03**
(52) **U.S. Cl.**
USPC **D6/688.1**
(58) **Field of Classification Search**
USPC D6/692, 685, 688.1, 697.2, 707-707.6,
D6/707.13; D21/318, 397, 522; 312/314
CPC A47B 7/00; A47B 5/00
See application file for complete search history.

Primary Examiner — Caron D Veynar
Assistant Examiner — Mehri Bajoul
(74) *Attorney, Agent, or Firm* — Jerry D Haynes; Law
Office of Jerry D Haynes PA

(56) **References Cited**
U.S. PATENT DOCUMENTS

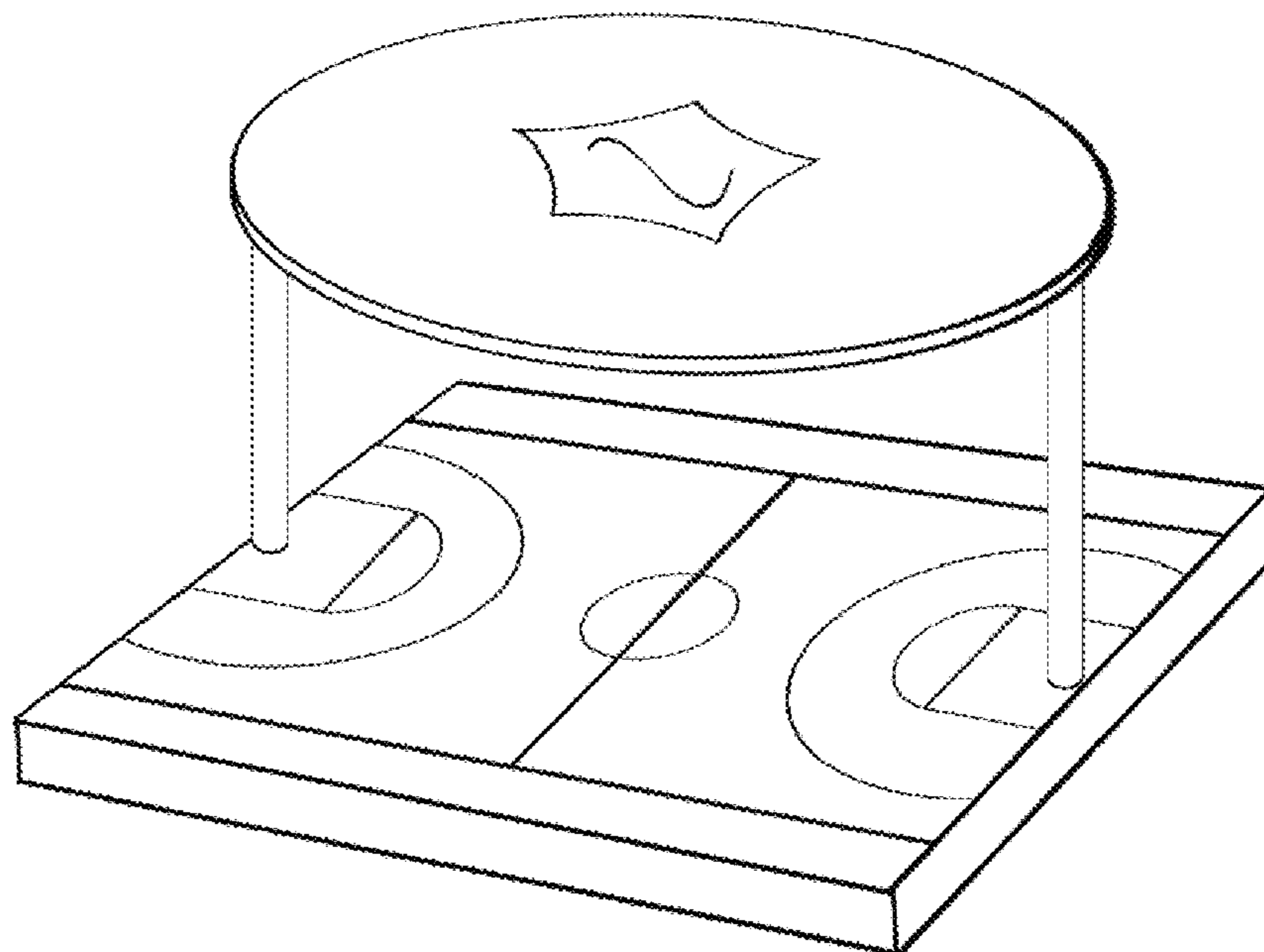
D96,907 S * 9/1935 Drake D21/335
D157,781 S * 3/1950 Pahlmann 312/314
D325,135 S * 4/1992 Barfield D21/357
D325,306 S * 4/1992 Barfield D21/355
D400,027 S * 10/1998 Gongora D6/673

(57) **CLAIM**
The ornamental design for a sport themed table, as shown.

DESCRIPTION

FIG. 1 is a perspective view of a sports themed table showing our new design.
FIG. 2 is a top plan view of the base of the sports themed table without the table top for ease of disclosure.
FIG. 3 is a top plan view of the sports themed table top shown in FIG. 1 without the base for ease of disclosure; and,
FIG. 4 is a side view of the sports themed table, the opposite side view being a mirror image thereof.

1 Claim, 3 Drawing Sheets



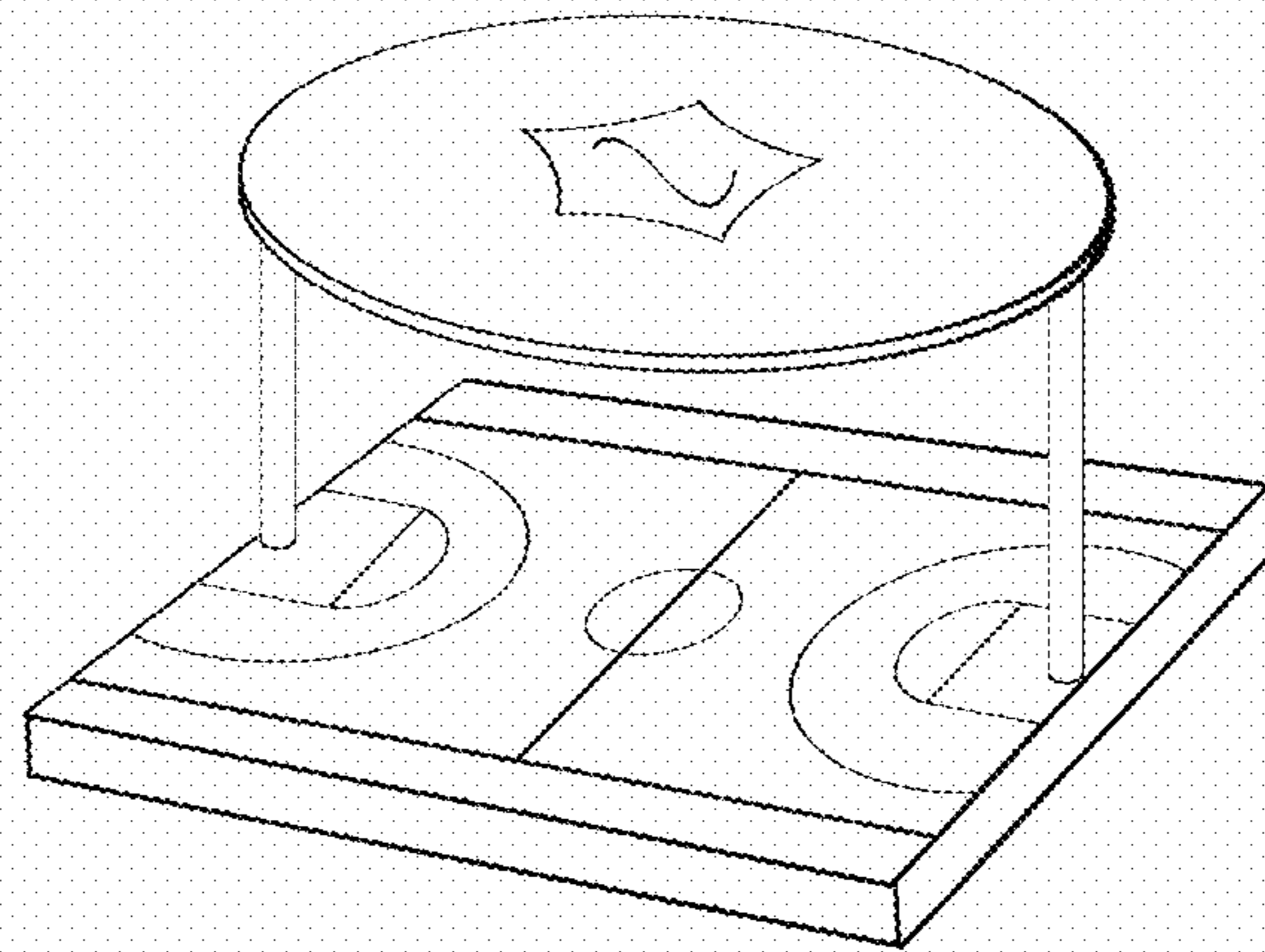


FIG.1

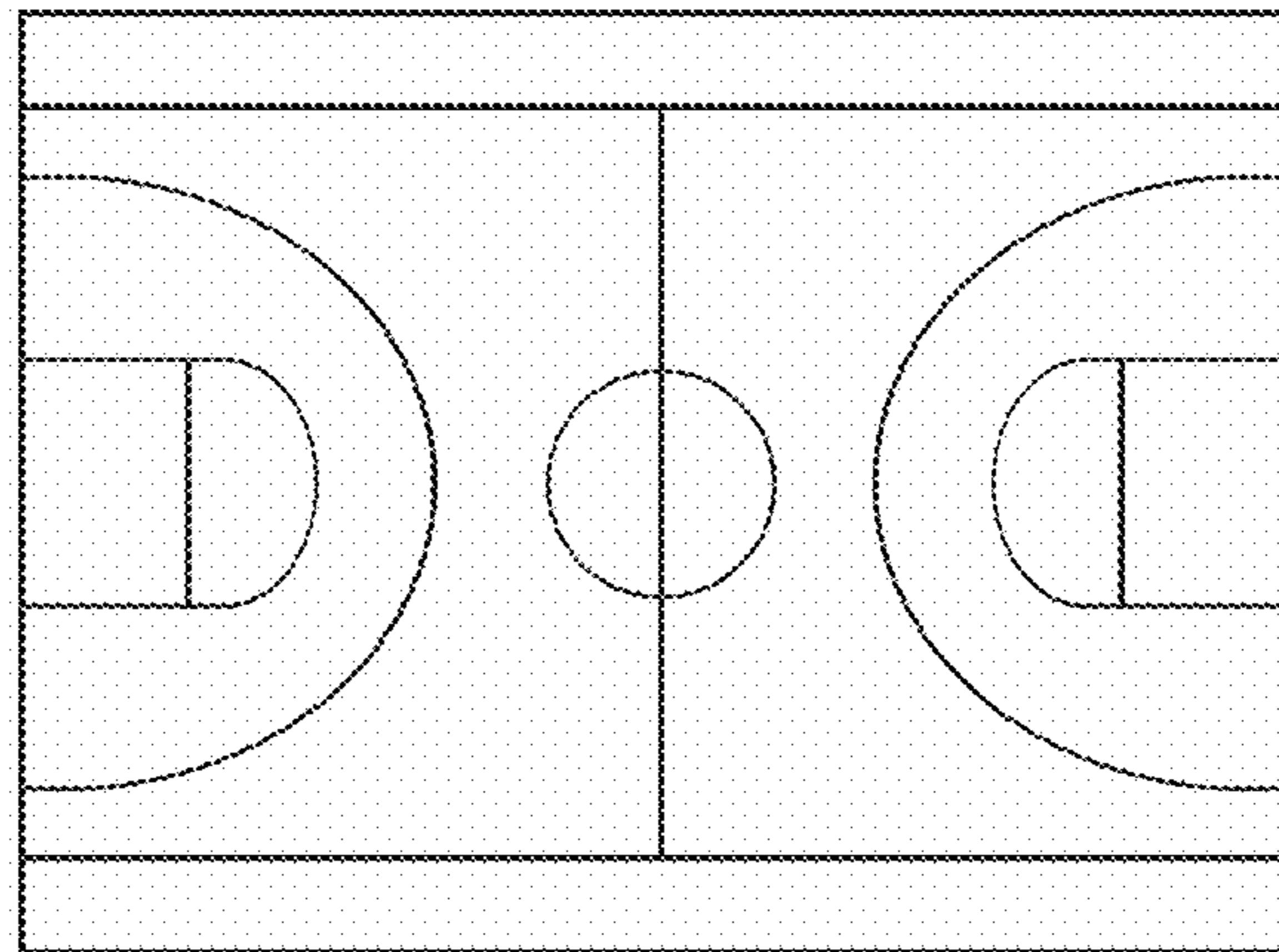


FIG. 2

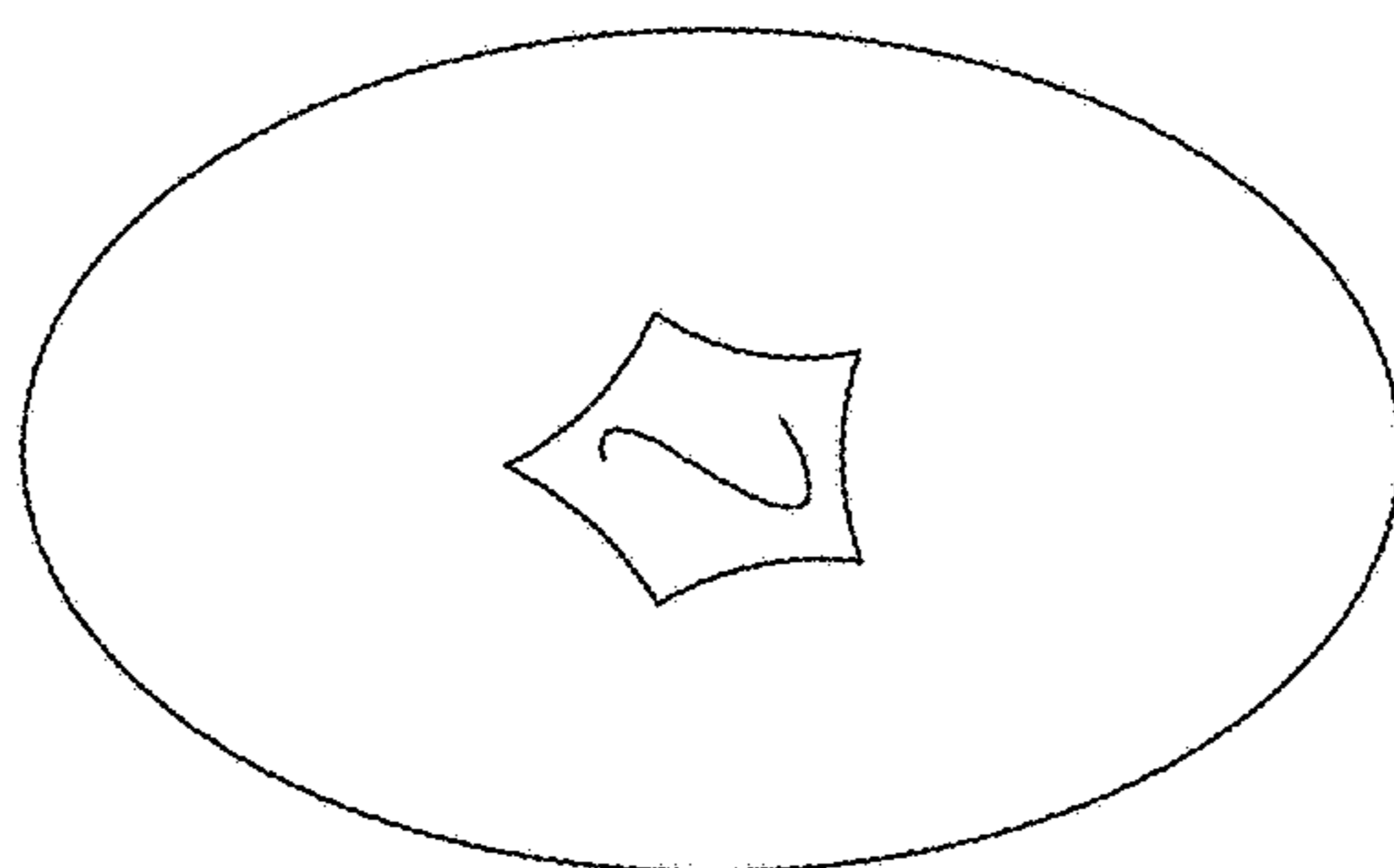


FIG. 3

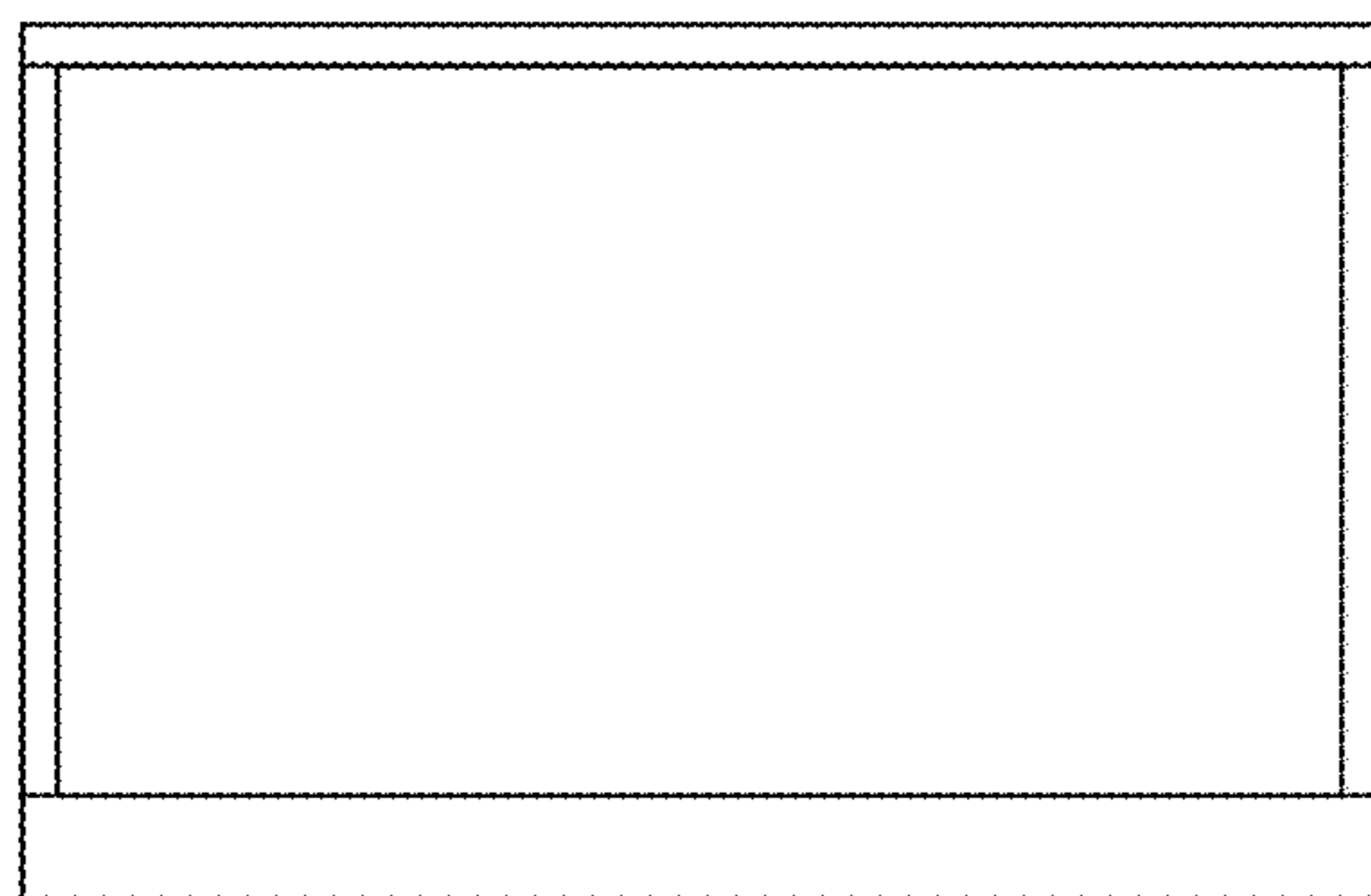


FIG. 4