



US00D803606S

(12) **United States Design Patent**  
**Benabou**

(10) **Patent No.:** **US D803,606 S**

(45) **Date of Patent:** **\*\* Nov. 28, 2017**

(54) **CURIO STAND**

(71) Applicant: **Mark Mordechai Benabou,**  
Huntington Beach, CA (US)

(72) Inventor: **Mark Mordechai Benabou,**  
Huntington Beach, CA (US)

(\*\*) Term: **15 Years**

(21) Appl. No.: **29/560,695**

(22) Filed: **Apr. 8, 2016**

(51) **LOC (10) Cl.** ..... **20-02**

(52) **U.S. Cl.**

USPC ..... **D6/678.1; D6/682.1**

(58) **Field of Classification Search**

USPC ..... D6/675-675.3, 677, 680-680.4,  
D6/682-682.4

CPC ..... A47C 27/064

See application file for complete search history.

(56) **References Cited**

**U.S. PATENT DOCUMENTS**

D4,447 S *	11/1870	Blake	.....	D6/682
D5,285 S *	9/1871	Wunder	.....	D6/682
D93,578 S *	10/1934	Rice	.....	312/287
D93,579 S *	10/1934	Rice	.....	108/92
D228,984 S *	11/1973	Miller	.....	D6/675
D286,476 S *	11/1986	Adams	.....	D23/403
D302,889 S *	8/1989	Goodwin	.....	D34/20
D406,962 S *	3/1999	Simpson, II	.....	D6/678.1

D419,334 S *	1/2000	Talbot	.....	D6/675.1
D543,711 S *	6/2007	O'Hare	.....	D6/334
D596,424 S *	7/2009	Noe	.....	D6/678.1
D659,414 S *	5/2012	Schmitt	.....	D6/334
D724,853 S *	3/2015	Liu	.....	D6/334
D785,350 S *	5/2017	Jin	.....	D6/334

\* cited by examiner

*Primary Examiner* — John Windmuller

*Assistant Examiner* — Melvin L Davis

(74) *Attorney, Agent, or Firm* — Dunlap Bennett &  
Ludwig PLLC; Brendan E. Squire

(57) **CLAIM**

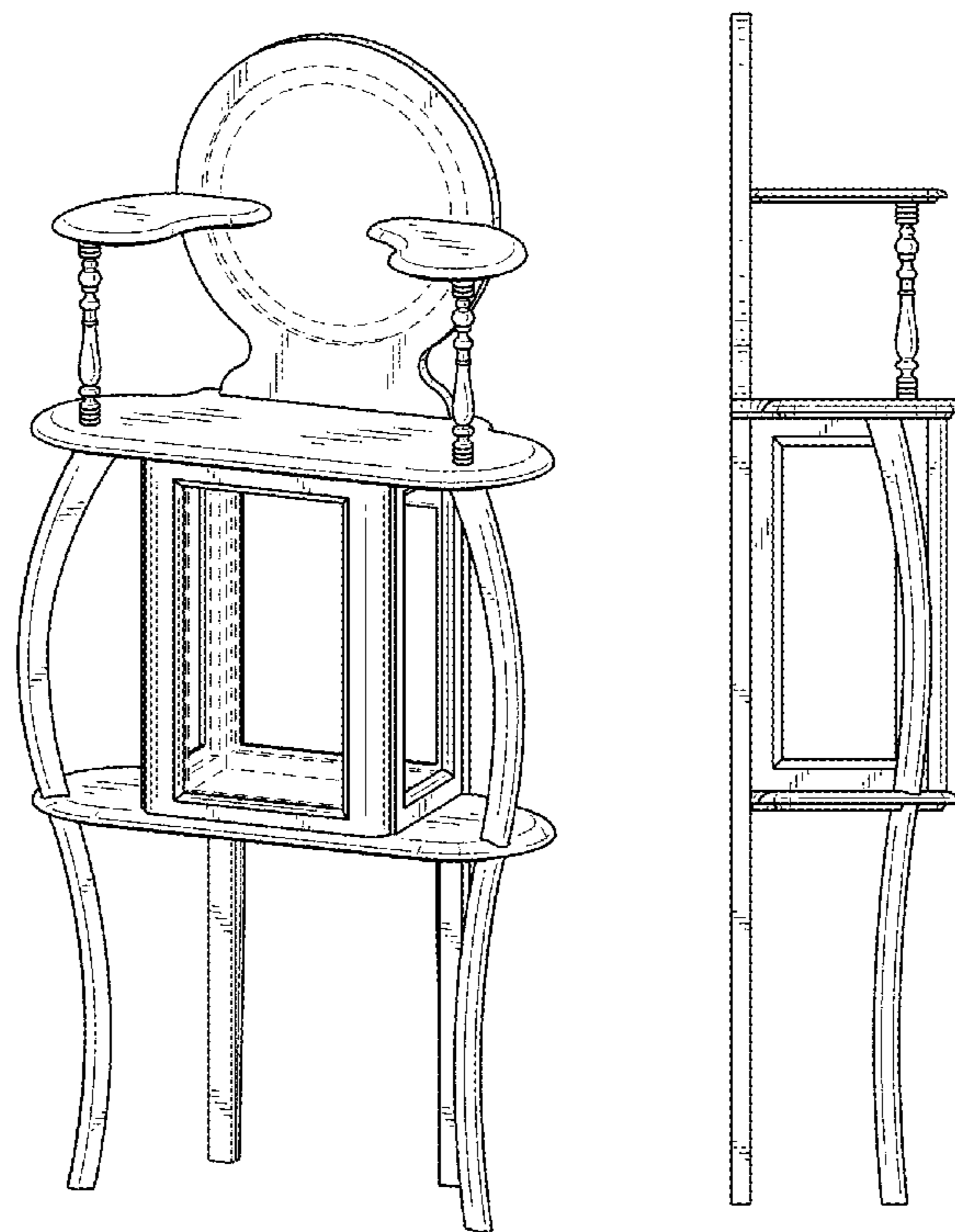
The ornamental design for a curio stand, as shown and described.

**DESCRIPTION**

FIG. 1 is a front perspective view of the curio stand;  
FIG. 2 is a front elevation view thereof;  
FIG. 3 is a rear elevation view thereof;  
FIG. 4 is a left side elevation view of the curio stand, the  
right side elevation view being a mirror image thereof;  
FIG. 5 is a top plan view thereof; and,  
FIG. 6 is a bottom plan view thereof.

The broken lines shown in the drawings illustrate portions of  
the curio stand that form no part of the claimed design.

**1 Claim, 3 Drawing Sheets**



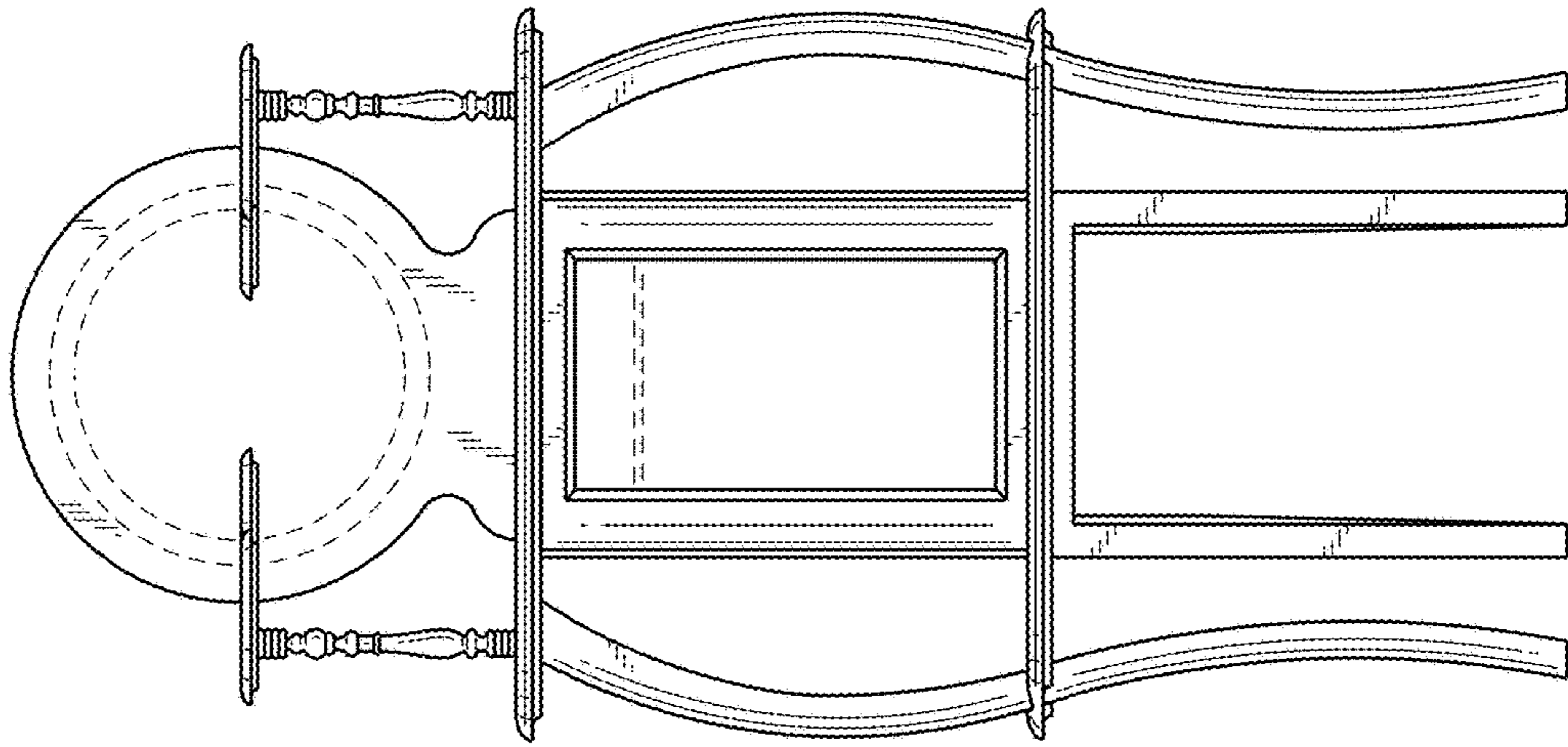


FIG. 2

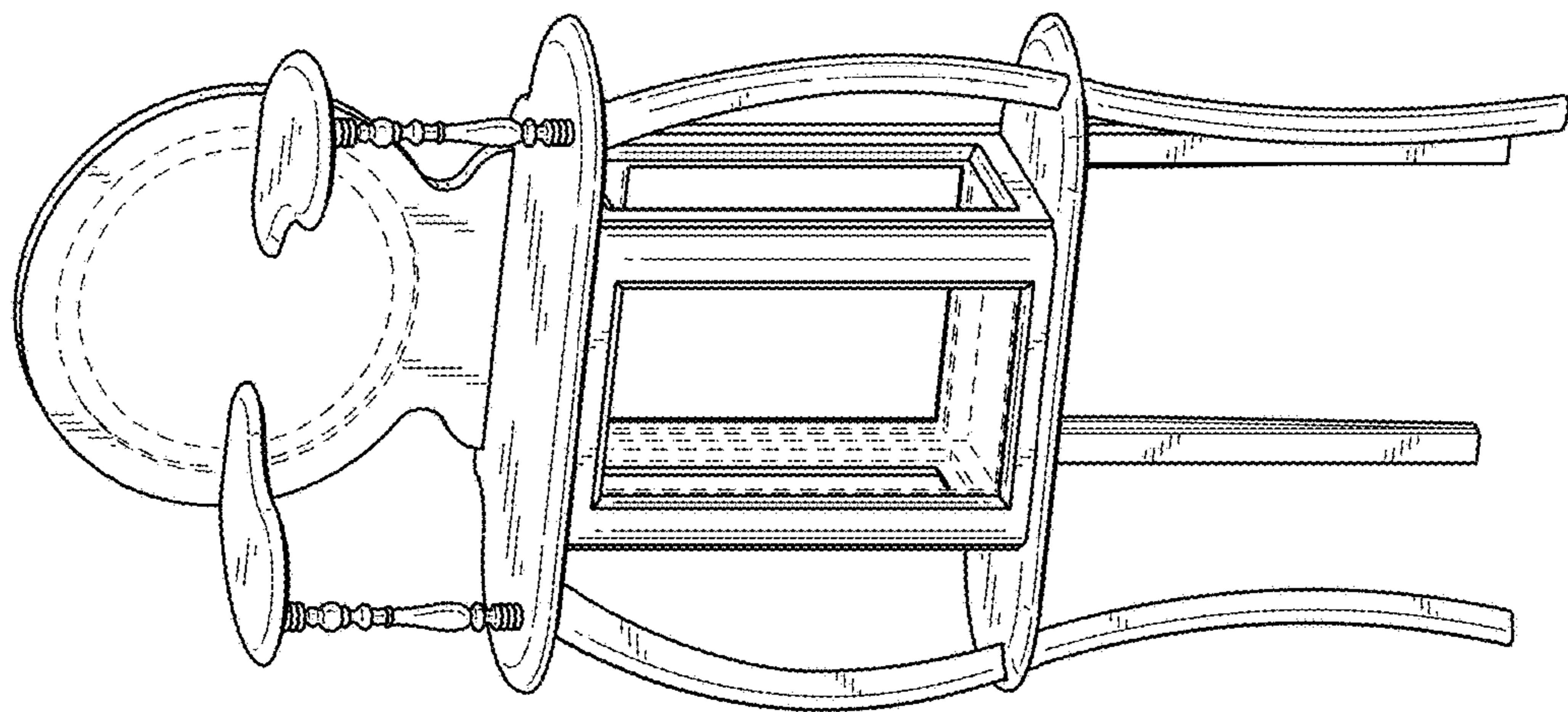


FIG. 1

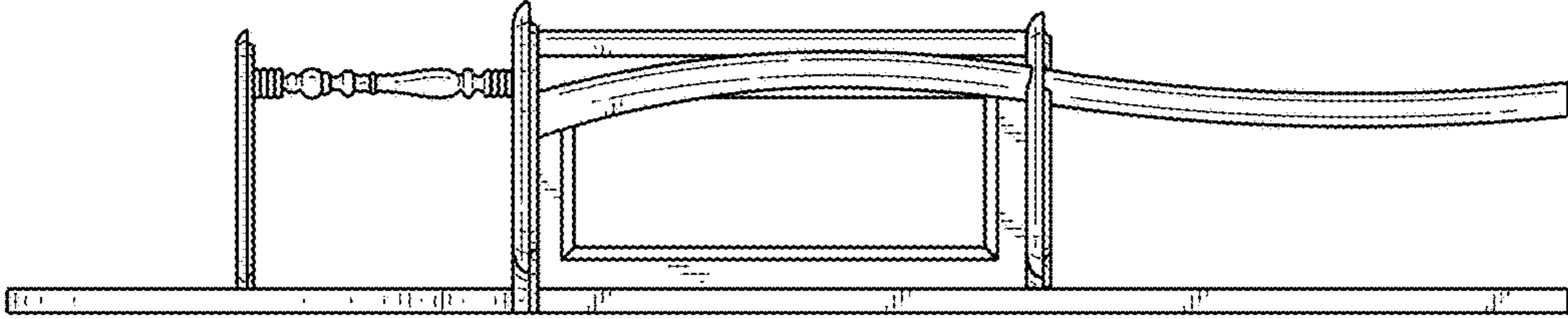


FIG. 4

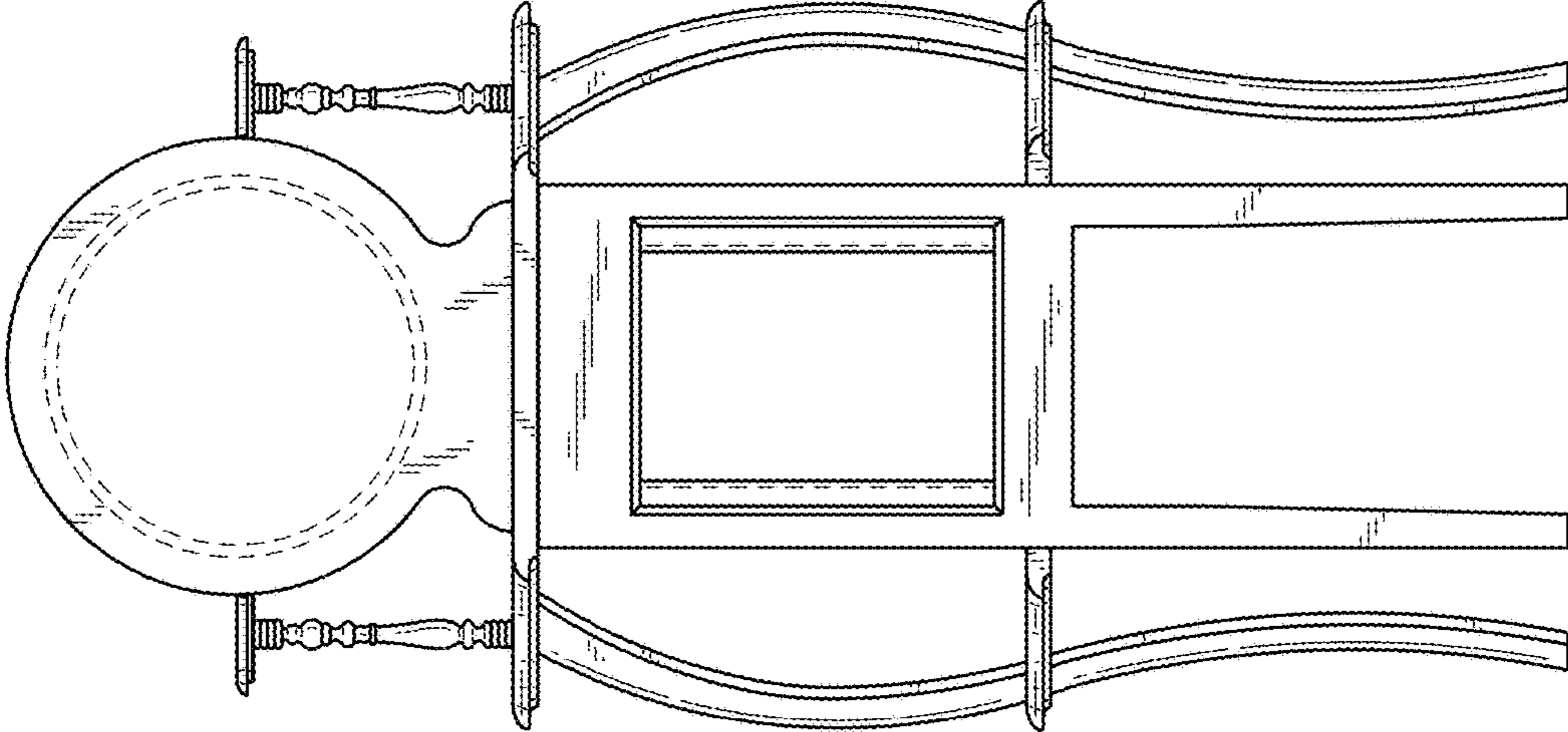


FIG. 3

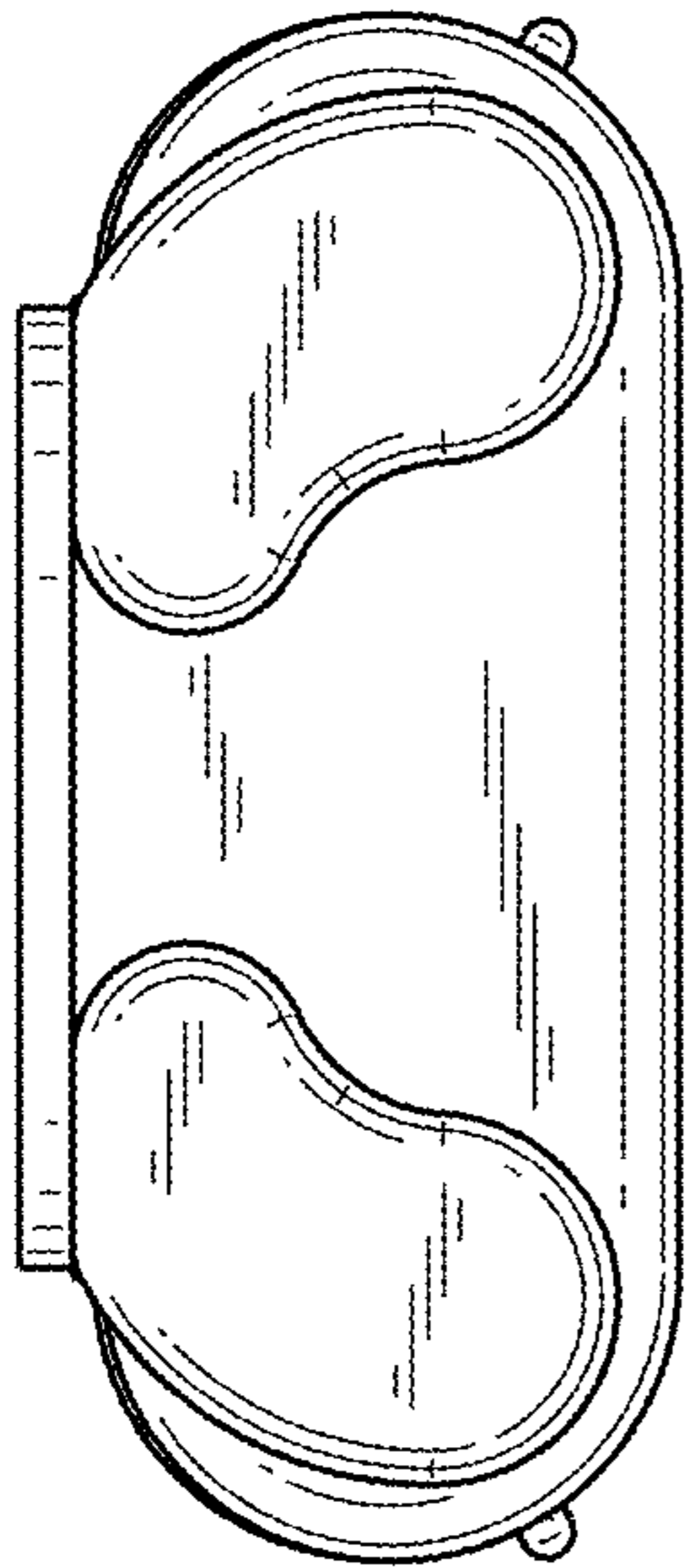


FIG. 5



FIG. 6