



US00D803603S

(12) **United States Design Patent**
Schmitt

(10) **Patent No.:** **US D803,603 S**

(45) **Date of Patent:** **** Nov. 28, 2017**

(54) **DRESSER WITH MIRROR**

(71) Applicant: **Jack Schmitt**, Mission Viejo, CA (US)

(72) Inventor: **Jack Schmitt**, Mission Viejo, CA (US)

(73) Assignee: **Amini Innovation Corporation**, Pico Rivera, CA (US)

(**) Term: **15 Years**

(21) Appl. No.: **29/559,420**

(22) Filed: **Mar. 28, 2016**

(51) **LOC (10) Cl.** **06-04**

(52) **U.S. Cl.**

USPC **D6/664.1**

(58) **Field of Classification Search**

USPC D6/662, 663, 519, 559–561, 699, 309,
D6/334–336, 349, 351, 352, 358, 360,
D6/364, 365, 366, 374, 375, 379, 380,
D6/611, 646, 657, 661, 662.1, 672, 674,
D6/675, 675.1, 675.3, 683, 683.1, 685,
D6/691, 691.5, 702, 708, 708.2, 708.21,
D6/708.25, 716, 716.1–716.4; D34/20,
D34/17, 19; D24/184

CPC A47B 55/02; A47B 3/00; A47B 81/005;
A47B 81/00; A47B 67/02; A47B 77/02;
A47B 47/05; A47B 47/0066; A47B
87/005; A47B 87/0292; A47B 43/00;
A47G 1/12; B42F 17/00; H05K 9/0062;
E05C 19/001

See application file for complete search history.

(56) **References Cited**

U.S. PATENT DOCUMENTS

107,479 A 9/1870 Gilman
D23,928 S 1/1895 Rice
D90,370 S 7/1933 McClure
2,009,225 A 7/1935 Farrar
D106,297 S * 10/1937 Krick D6/664.1

(Continued)

OTHER PUBLICATIONS

“Contemporary style dresser with round detachable mirror from USA Pilliod Furniture Inc., Division of Ladd Furniture” Mar. 20, 2013, ebth.com, site visited Mar. 27, 2017 <<https://www.ebth.com/items/32551-contemporary-style-dresser-with-round-detachable-mirror-from-usa-pilliod-furniture-inc-division-of-ladd-furniture>>.*

(Continued)

Primary Examiner — Kevin K Rudzinski

Assistant Examiner — Paul D Bohannon

(74) *Attorney, Agent, or Firm* — Cislo & Thomas, LLP

(57) **CLAIM**

The ornamental design for a dresser with mirror, as shown and described.

DESCRIPTION

FIG. 1 is a perspective view of an embodiment of my dresser with mirror;

FIG. 2 is a front view thereof;

FIG. 3 is a left side view, the right side (not shown) is a mirror image thereof;

FIG. 4 is a top view of an embodiment of my dresser with mirror;

FIG. 5 is a close up view of the area designated as area “5” in FIG. 2;

FIG. 6 is a close up view of the area designated as area “6” in FIG. 2;

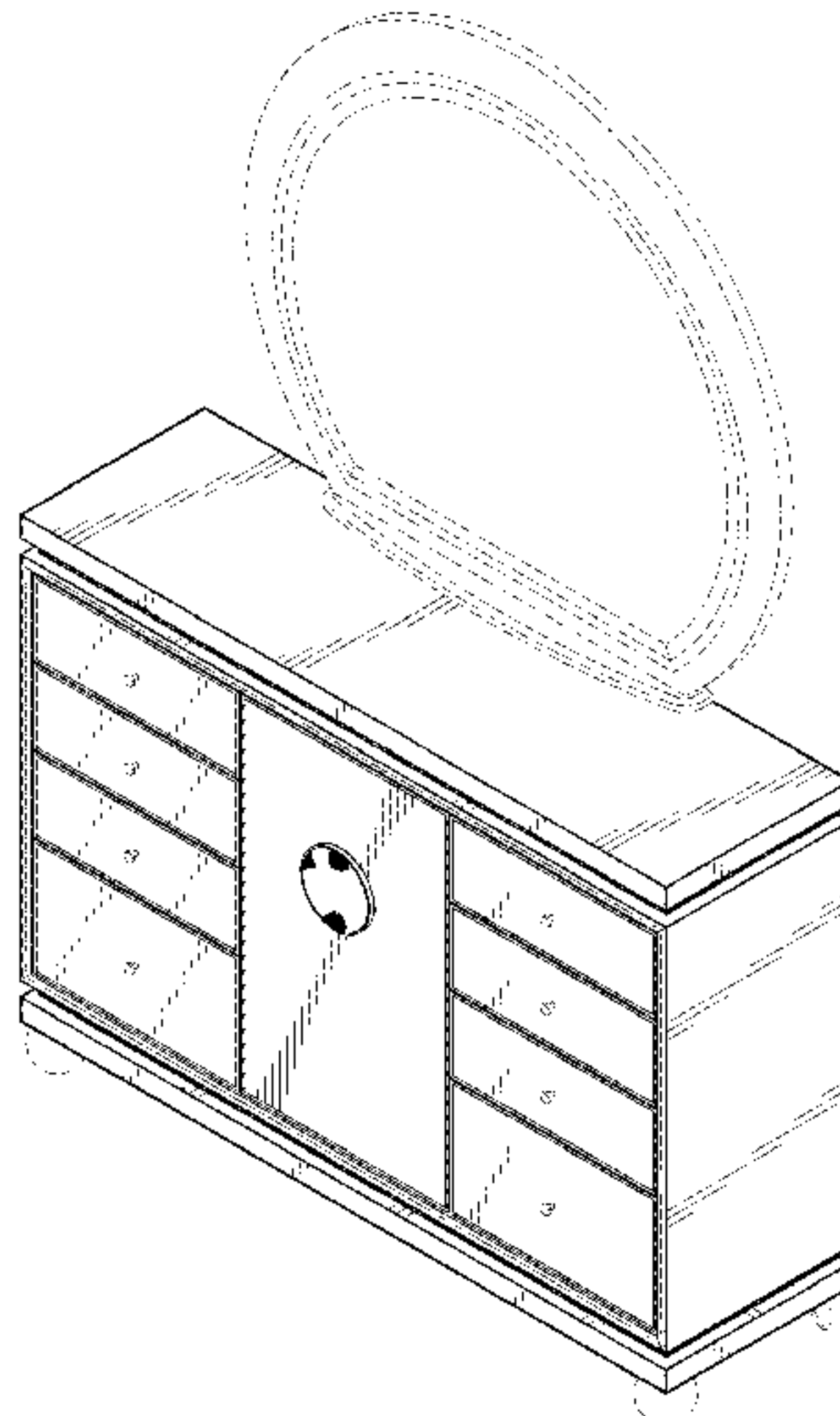
FIG. 7 is a close up view of the area designated as “7” in FIG. 5;

FIG. 8 is a close up view of the area designated as “8” in FIG. 2; and,

FIG. 9 is a close up view of the area designated as “9” in FIG. 8.

The broken lines are for environmental purposes only and form no part of the claimed design. The design features partially depicted inside of the circular center element of FIGS. 1 and 2 represent design features that are understood to be distributed uniformly within the circular center element in FIGS. 1 and 2.

1 Claim, 6 Drawing Sheets



(56)

References Cited

U.S. PATENT DOCUMENTS

D109,986 S	6/1938	Hickerson	D480,236 S	10/2003	Schmitt	
D134,062 S	10/1942	Witman	D480,896 S	10/2003	Paus	
D143,189 S	12/1945	Colef	D480,898 S	10/2003	Schmitt	
D198,795 S	8/1964	Hekler	D481,555 S	11/2003	Schmitt	
D198,796 S	8/1964	Heckler	D482,901 S	12/2003	Stanton	
D208,029 S	7/1967	Mulder	D483,962 S	12/2003	Stanton	
D216,709 S	3/1970	Chapin	D484,319 S	12/2003	Domack	
D223,206 S	3/1972	Adkinson	D485,079 S	1/2004	Warren et al.	
D227,838 S	7/1973	Adkinson	D487,200 S *	3/2004	Wanek	D6/664.1
D234,177 S	1/1975	Keller	D487,201 S	3/2004	Schmitt	
D241,210 S	8/1976	Elsen	D487,202 S	3/2004	Schmitt	
D241,211 S	8/1976	Eisen	D487,548 S	3/2004	Schmitt	
D242,678 S	12/1976	Adkinson	D488,638 S	4/2004	Stanton	
D258,331 S	2/1981	Brown	D488,640 S	4/2004	Domack	
D258,333 S	2/1981	Brown	D488,936 S	4/2004	Schmitt	
D265,155 S	6/1982	Bravo	D490,626 S	6/2004	Risdon et al.	
D269,927 S	8/1983	Aulbert et al.	D504,036 S	4/2005	Risdon et al.	
D270,125 S	8/1983	Aulbert et al.	D505,569 S	5/2005	Mohundro	
D272,698 S	2/1984	Aulbert et al.	D508,795 S	8/2005	Mirchand	
D299,296 S	1/1989	Lafko	D511,906 S	11/2005	Mohundro	
D321,438 S	11/1991	Pauer et al.	D513,673 S	1/2006	Domack et al.	
D341,502 S	11/1993	Ball	D513,886 S	1/2006	Mohundro	
D343,744 S	2/1994	Keller	D514,823 S	2/2006	Domack et al.	
D346,915 S	5/1994	Roser, Jr.	D516,343 S	3/2006	Domack et al.	
D350,656 S	9/1994	Ferguson	D518,311 S	4/2006	Domack et al.	
D371,257 S	7/1996	Paus	D519,286 S	4/2006	Domack et al.	
D373,033 S	8/1996	Rosebrock	D524,060 S	7/2006	Schmitt	
D374,569 S	10/1996	Paus	D524,554 S	7/2006	Schmitt	
D374,570 S	10/1996	Keller et al.	D524,556 S	7/2006	Schmitt	
D374,783 S	10/1996	Keller et al.	D525,037 S	7/2006	Schmitt	
D383,330 S	9/1997	Lowery	D525,038 S	7/2006	Schmitt	
D384,518 S	10/1997	Bergelin	D525,048 S	7/2006	Mohundro	
D384,521 S	10/1997	Bergelin	D525,438 S	7/2006	Schmitt	
D387,568 S	12/1997	Walters, III et al.	D526,130 S	8/2006	Mohundro	
D387,580 S	12/1997	Walters et al.	D526,142 S	8/2006	Schmitt	
D387,925 S	12/1997	Keller et al.	D526,510 S	8/2006	Schmitt	
D400,733 S	11/1998	O'Hare	D526,793 S	8/2006	Schmitt	
D404,223 S	1/1999	Bargagli-Stoffi	D527,203 S	8/2006	Schmitt	
D406,202 S	3/1999	Zaidman	D527,206 S	8/2006	Domack et al.	
D409,844 S	5/1999	Cain	D527,547 S	9/2006	Domack et al.	
D411,050 S	6/1999	Keller et al.	D528,325 S	9/2006	Schmitt	
D412,413 S	8/1999	Keller et al.	D529,310 S	10/2006	Schmitt	
D418,328 S	1/2000	O'Hare	D530,116 S	10/2006	Schmitt	
D419,796 S	2/2000	O'Hare	D530,538 S	10/2006	Schmitt	
D424,831 S	5/2000	O'Hare	D530,539 S	10/2006	Schmitt	
D425,329 S	5/2000	O'Hare	D531,427 S	11/2006	Schmitt	
D431,393 S	10/2000	Walter et al.	D532,214 S	11/2006	Schmitt	
D437,150 S	2/2001	Cain	D532,625 S	11/2006	Schmitt	
D437,503 S	2/2001	Ungaro	D532,997 S	12/2006	Schmitt	
D443,438 S	6/2001	O'Hare et al.	D542,056 S *	5/2007	Puente	D6/671
D447,887 S	9/2001	O'Hare et al.	D547,568 S	7/2007	Mohundro	
D448,205 S	9/2001	O'Hare et al.	D551,879 S	10/2007	Janke et al.	
D450,202 S	11/2001	McDaniel et al.	D552,375 S *	10/2007	Mohundro	D6/671.1
D450,203 S	11/2001	Vaaler	D554,393 S *	11/2007	Yalif	D6/661
D450,475 S	11/2001	Vaaler	D555,934 S	11/2007	Thompson	
D451,700 S	12/2001	Vaaler	D556,472 S	12/2007	Janke et al.	
D454,729 S	3/2002	Vaaler	D557,037 S	12/2007	O'Hare et al.	
D455,275 S	4/2002	Vaaler	D560,916 S	2/2008	Schmitt	
D459,111 S	6/2002	Tobin, Jr.	D562,587 S	2/2008	Schmitt	
D459,615 S	7/2002	Stanton	D562,597 S *	2/2008	Weatherly	D6/671.1
D467,095 S	12/2002	Vaaler	D564,783 S	3/2008	Schmitt	
D468,930 S	1/2003	Berry, Jr. et al.	D564,784 S	3/2008	Schmitt	
D469,626 S	2/2003	Vaaler	D564,785 S	3/2008	Schmitt	
D469,627 S	2/2003	Stanton	D568,633 S	5/2008	Domack et al.	
D469,631 S	2/2003	Vaaler	D577,208 S *	9/2008	Thompson	D6/309
D469,982 S	2/2003	Warren et al.	D579,214 S	10/2008	Hassett, Jr.	
D469,984 S	2/2003	O'Hare	D579,244 S	10/2008	Hassett, Jr.	
D470,686 S	2/2003	O'Hare	D583,570 S	12/2008	Mohundro	
D472,733 S	4/2003	McDaniel et al.	D586,581 S	2/2009	Schmitt	
D473,400 S	4/2003	O'Hare	D587,932 S	3/2009	Domack et al.	
D474,054 S	5/2003	Warren et al.	D588,836 S	3/2009	Everson et al.	
D474,922 S	5/2003	Vaaler	D591,021 S *	4/2009	Peacock	D34/17
D475,868 S	6/2003	Vaaler	D593,774 S	6/2009	Schmitt	
D476,505 S	7/2003	Lenger	D603,622 S	11/2009	Schmitt	
D477,725 S	7/2003	McDaniel et al.	D637,014 S	5/2011	Schmitt	
			D650,201 S	12/2011	Schmitt	
			D655,942 S	3/2012	Schmitt	
			D655,943 S	3/2012	Schmitt	
			D663,549 S	7/2012	Domack et al.	

(56)

References Cited

U.S. PATENT DOCUMENTS

D666,438 S	*	9/2012	Cressman	D6/705
D668,079 S		10/2012	Domack et al.		
D668,887 S		10/2012	Schmitt		
D692,698 S	*	11/2013	Schmitt	D6/664.1
D692,699 S		11/2013	Schmitt		
D699,484 S		2/2014	James		
D772,613 S	*	11/2016	Liu	D6/664.1

OTHER PUBLICATIONS

Ethan Allen Circular, Legacy Collection Dresser with Mirror (reflected in mirror), p. 5, 1996.
Thomasville Catalog, Replicas 1662 Triple Dresser and Mirror, p. 2, 1983.
America's Oak Furniture, Schiffer, 1988, Low Chest with Mirror, p. 90.
Golden Oak Furniture, Warren, 1992, Dresser with Mirror, p. 140.
Furniture Today, Genoa Collection Dresser with Mirror, p. 14, Oct. 11, 1999.

Thomasville, Palais Jardin Mirror Dresser and Door Chest, p. 12, 2002.
Furniture Today, Source Mktg. Group Mirror Dresser and Sumter Cabinet, p. 192, Oct. 14, 2002.
Furniture Today, Union City Imports China Hutch, p. 158, Oct. 19, 1998.
Furniture Today, AICO China Hutch, p. 15, Oct. 16, 2000.
Furniture Today, Broyhill China Hutch, p. 11, Apr. 16, 2001.
Furniture Today, Marge Carson Wall Unit, p. 126, Oct. 11, 1999.
Furniture Today, Pulaski Armoire, p. 33, Apr. 15, 2002.
Amini Innovation Corp. Monte Carlo Collection, #53000 Series, 2001, 2 pages.
Amini Innovation Corp. La Francaise Collection, #50000 Series, Sep. 11, 2002, 5 pages.
Amini Innovation Corp. Royal Oak Collection #31000 Series, Sep. 11, 2002, 1 page.
Amini Innovation Corp. Torino Collection, #56000 Series, Apr. 18, 2002, 1 page.
Amini Innovation Corp. Paradisio Collection #52000 Series, 2003, 1 page.
Amini Innovation Corp. Trevi Collection, Sep. 20, 2004, 2 pages.

* cited by examiner

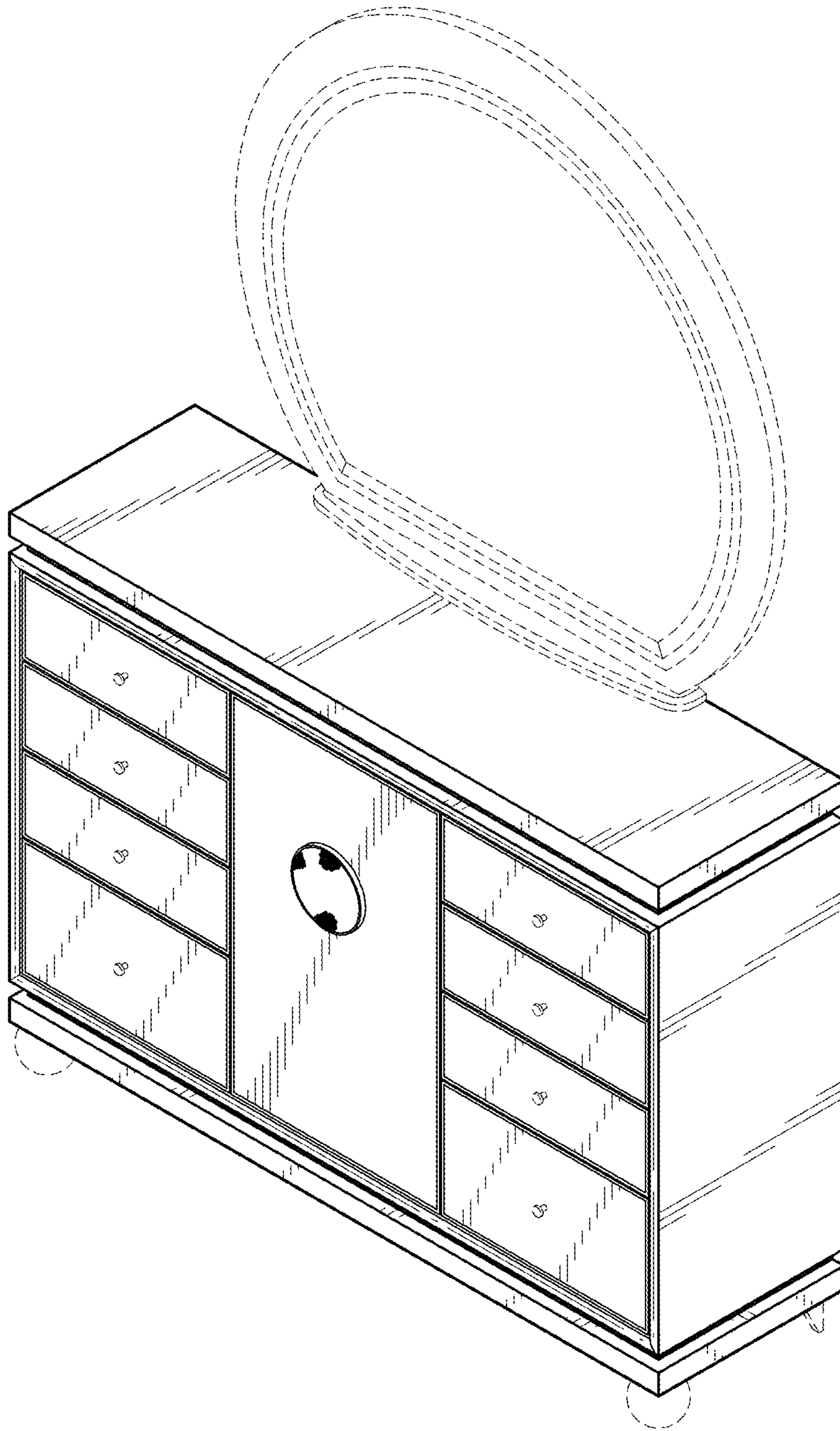


FIG. 1

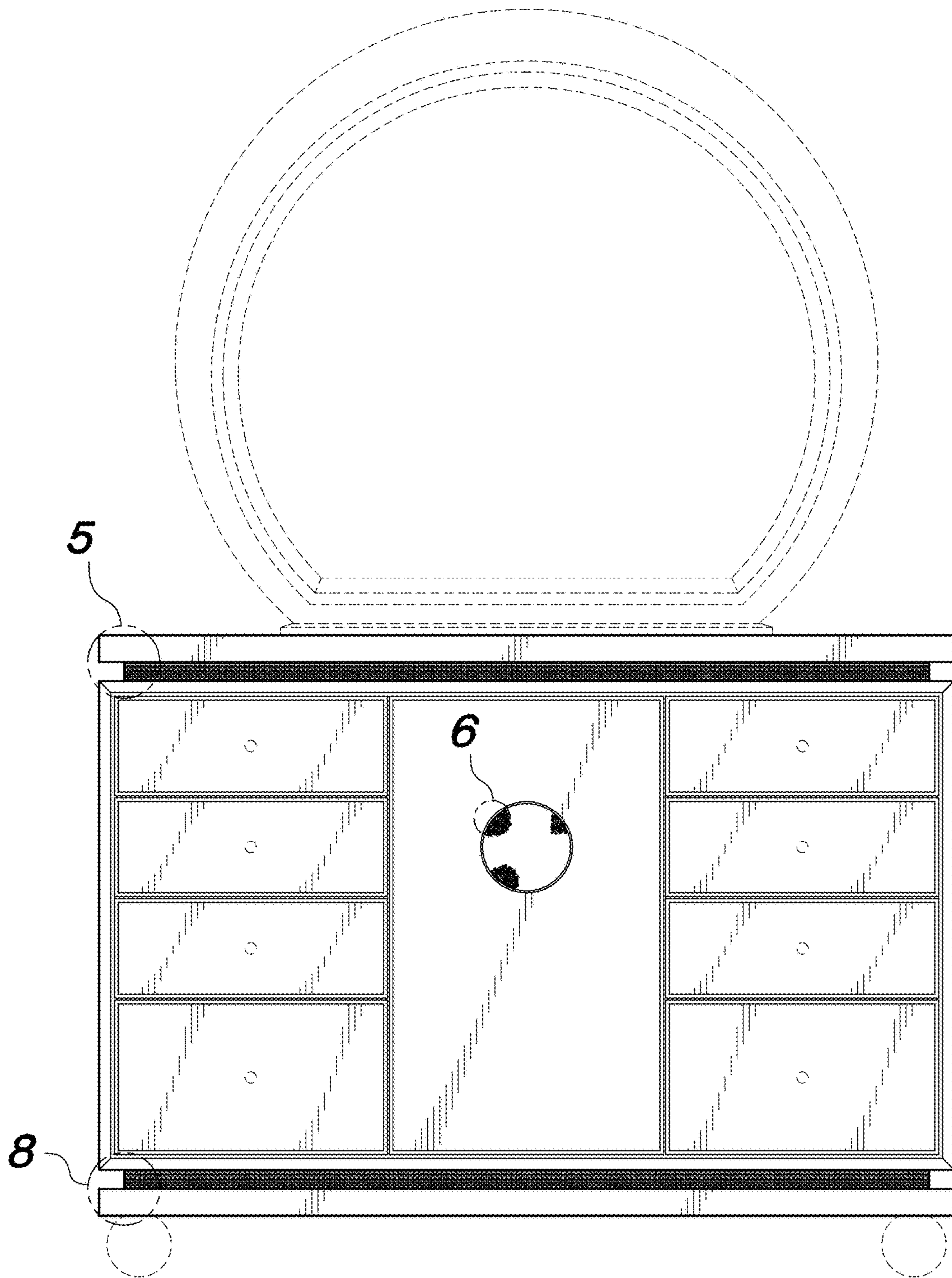


FIG. 2

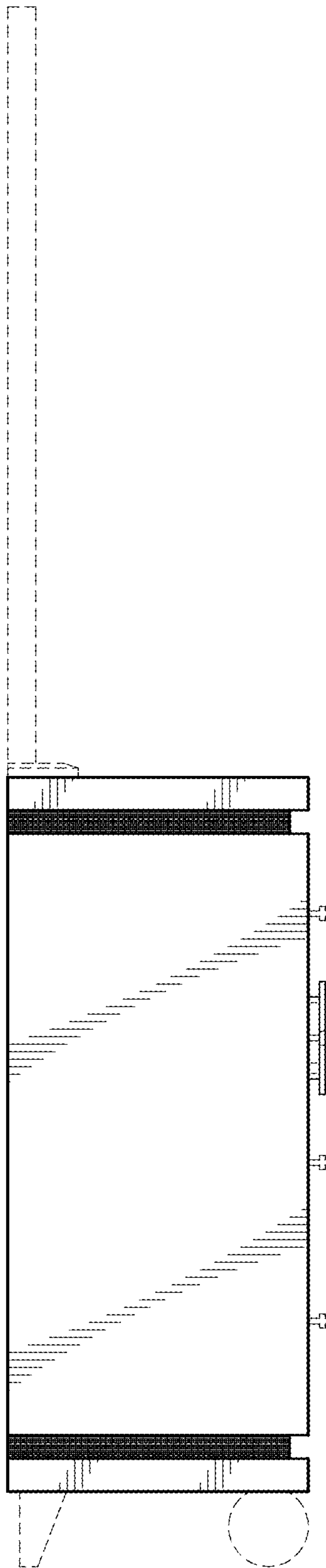


FIG. 3

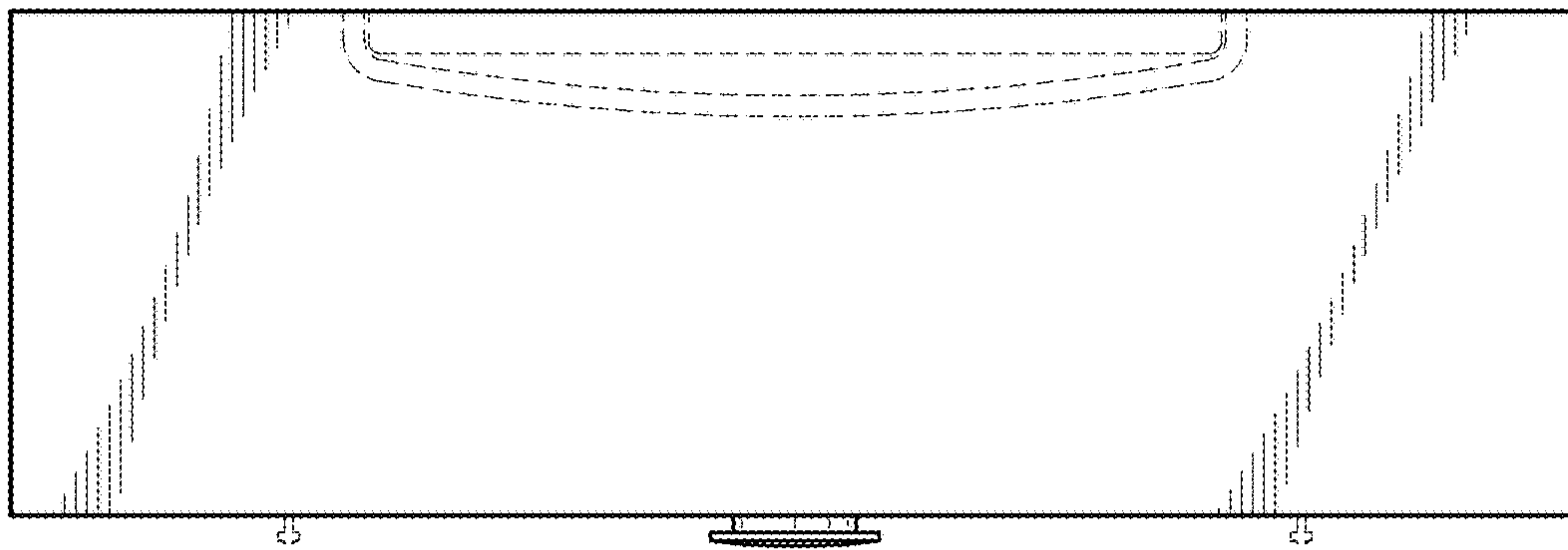


FIG. 4

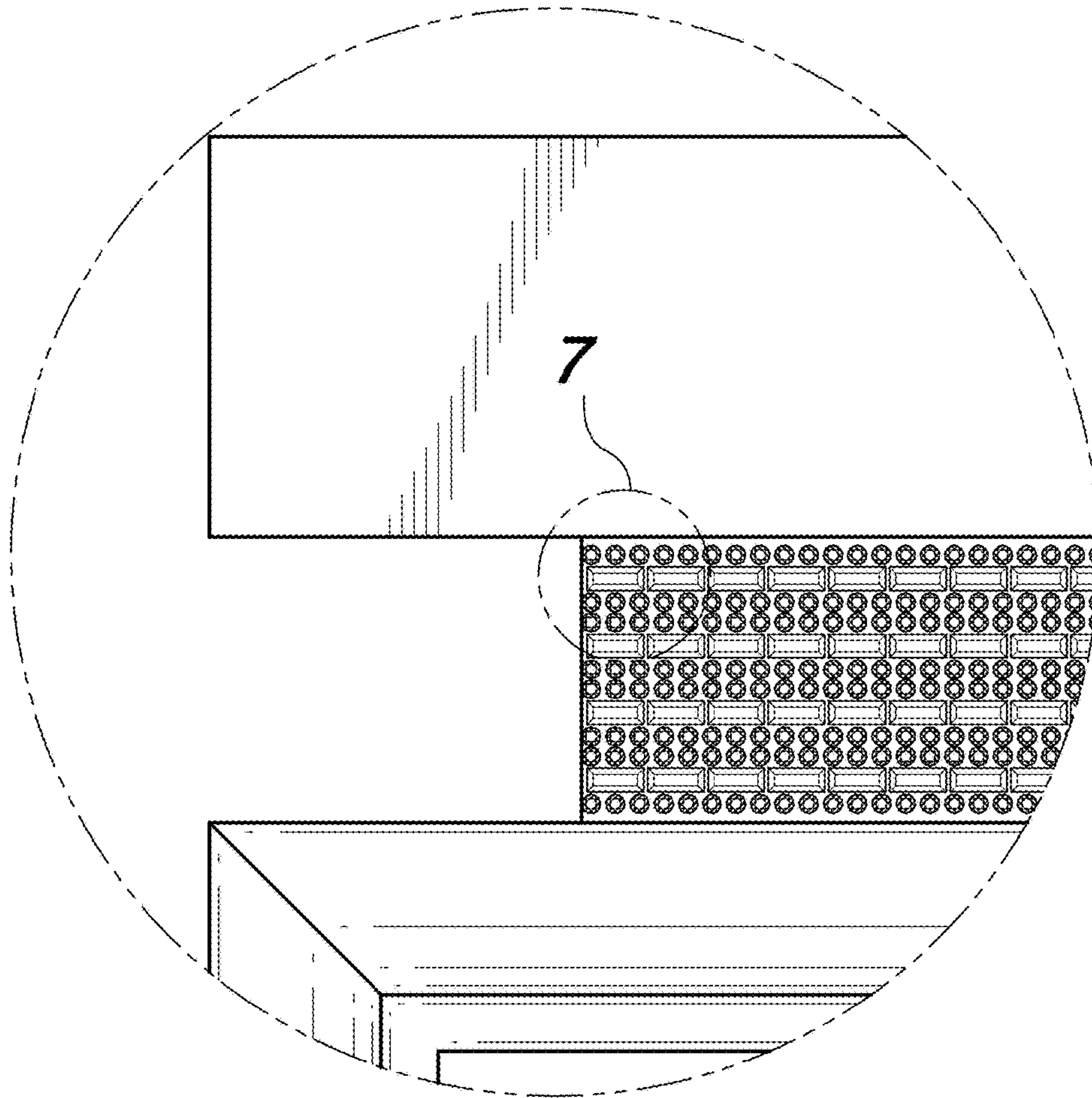


FIG. 5

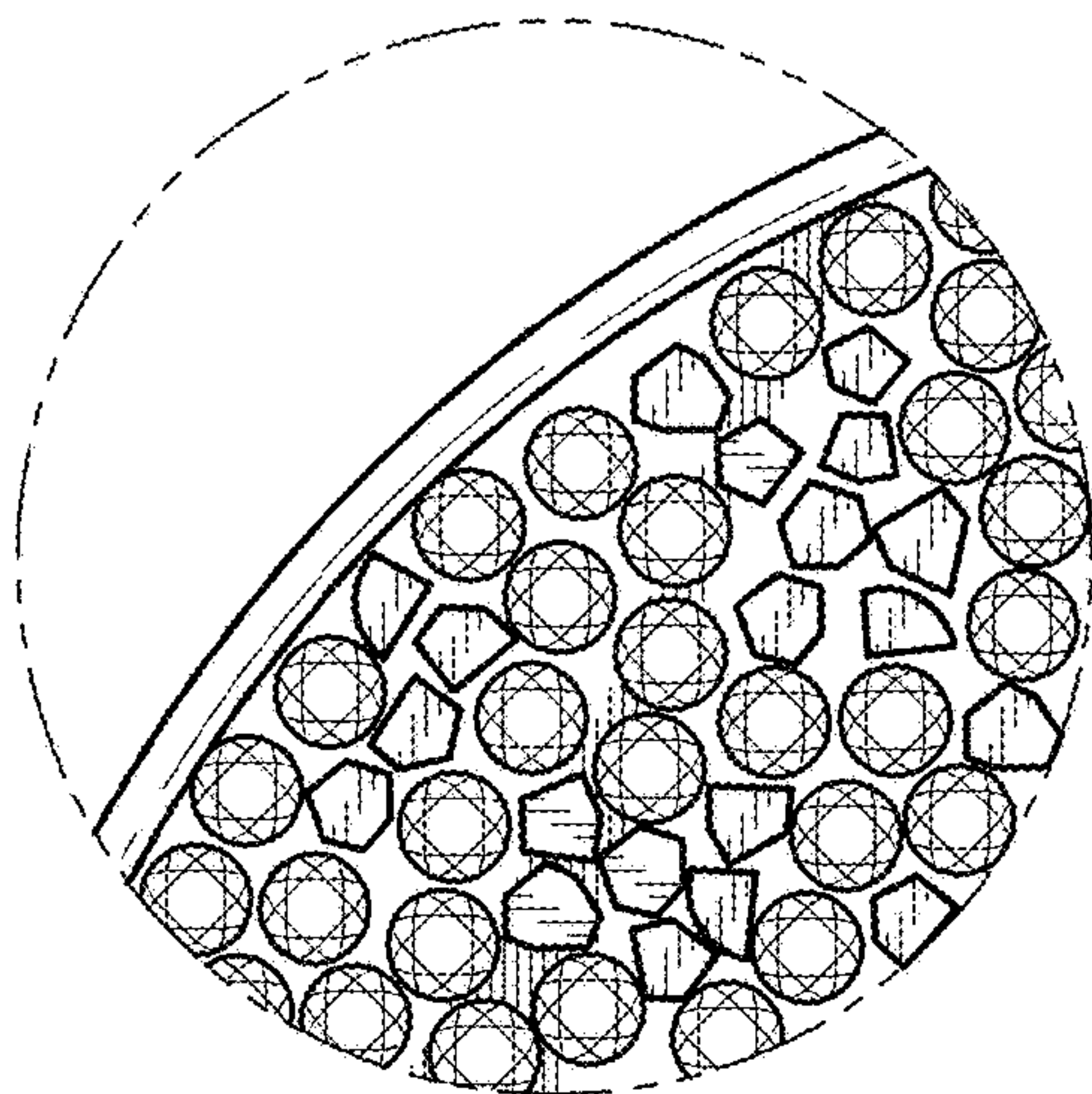


FIG. 6

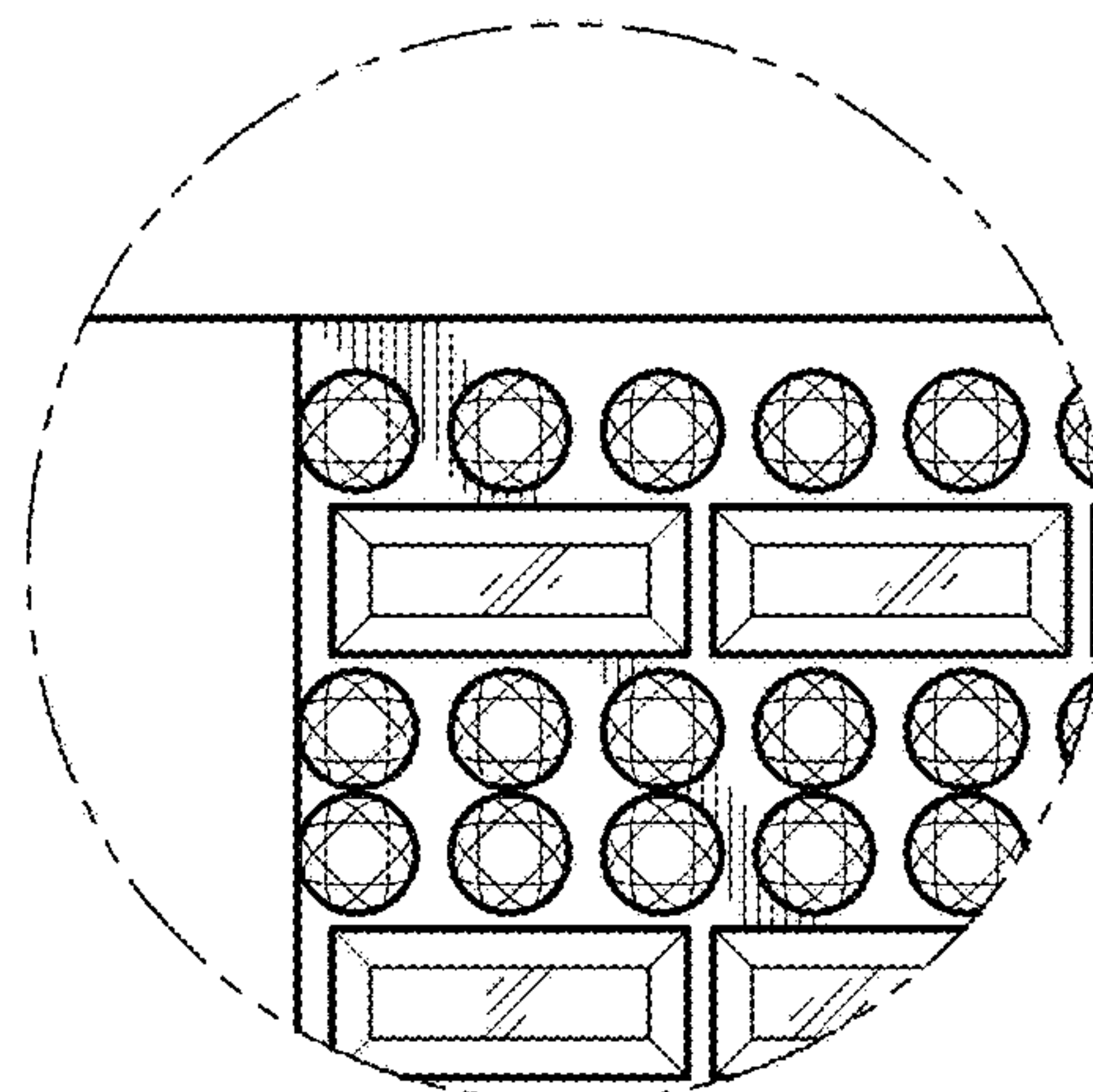


FIG. 7

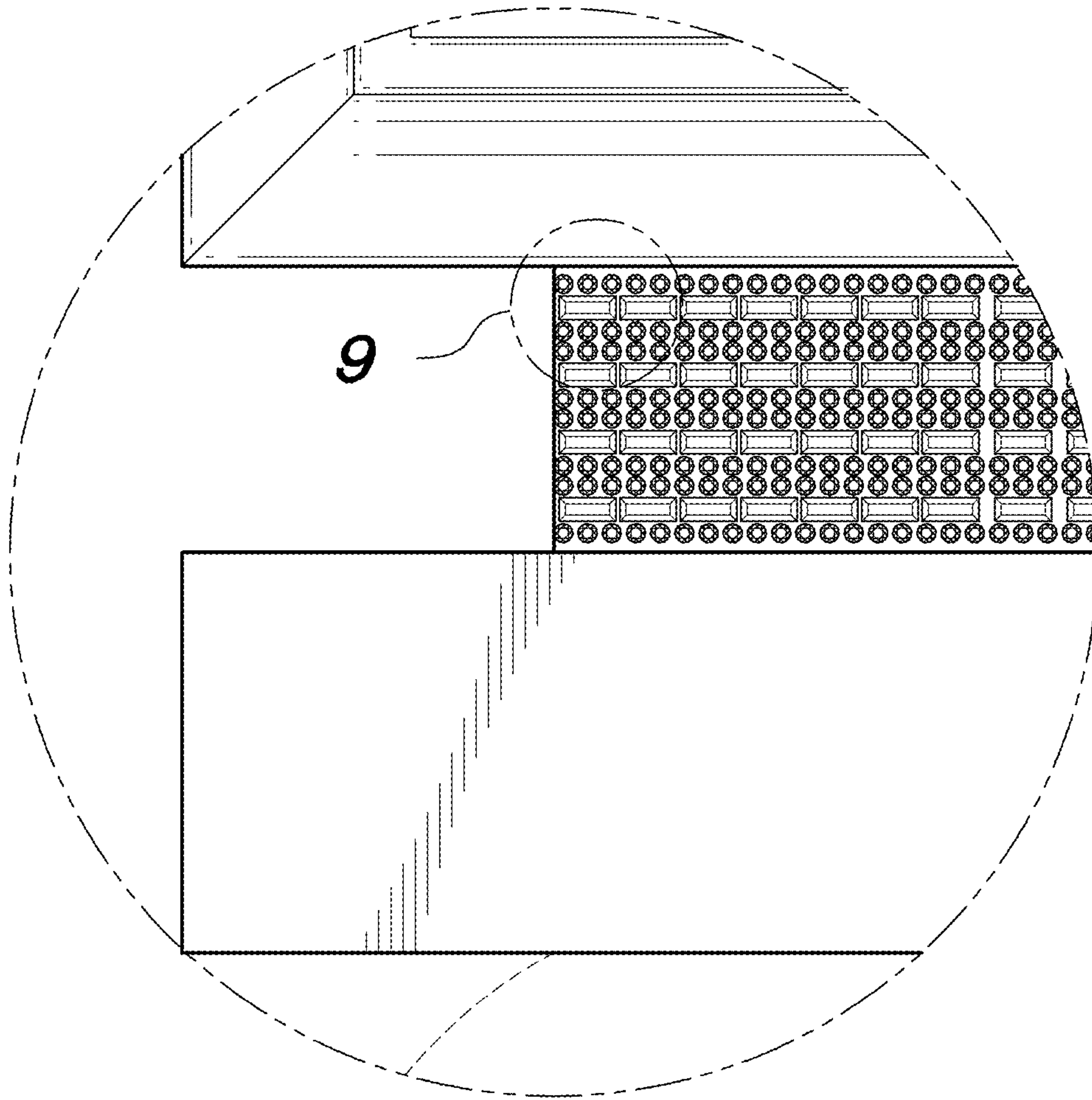


FIG. 8

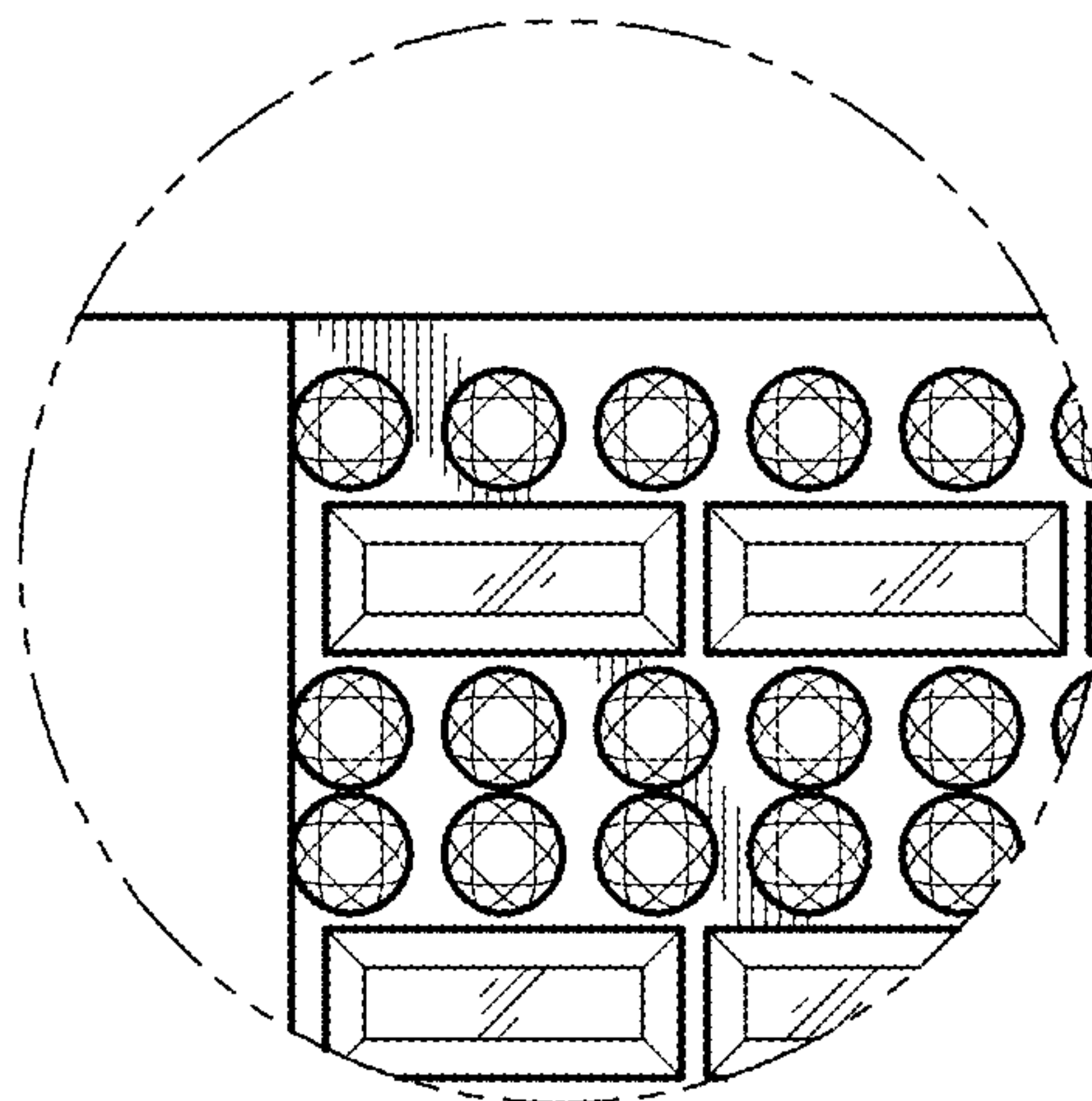


FIG. 9