



US00D803598S

(12) **United States Design Patent** (10) **Patent No.:** **US D803,598 S**  
**Li** (45) **Date of Patent:** **\*\* Nov. 28, 2017**

(54) **SOAP DISH**  
(71) Applicant: **IMMANUEL INDUSTRIAL CO., LTD.**, Tainan (TW)  
(72) Inventor: **Kun-Yi Li**, Tainan (TW)  
(73) Assignee: **Immanuel Industrial Co., Ltd.**, Tainan (TW)  
(\*\*) Term: **15 Years**  
(21) Appl. No.: **29/580,547**  
(22) Filed: **Oct. 11, 2016**  
(30) **Foreign Application Priority Data**

Jun. 2, 2016 (EM) ..... 003167618-0004

(51) **LOC (10) Cl.** ..... **23-02**  
(52) **U.S. Cl.**  
USPC ..... **D6/536**

(58) **Field of Classification Search**  
USPC ..... D6/536-537, 524, 525, 540, 566, 567, D6/320; 211/13.1, 74, 71.01, 86.01, 75, 211/88.01, 90.01, 90.03, 106, 119, 126.1, 211/133.5, 181.1, 134, 87.01; D3/306; D32/55-56; D7/637; 248/206.2-206.3  
CPC .. B23P 17/04; A47K 1/09; A47K 1/08; A47K 3/281; F16B 47/00  
See application file for complete search history.

(56) **References Cited**  
U.S. PATENT DOCUMENTS

D20,922 S \* 7/1891 Coben ..... D32/56  
D104,934 S \* 6/1937 Whited ..... D6/540  
D143,516 S \* 1/1946 Whitlock ..... D32/56  
D143,517 S \* 1/1946 Whitlock ..... D32/56  
D151,047 S \* 9/1948 Jensen ..... 206/564  
4,635,563 A \* 1/1987 Hand ..... A47B 57/265  
108/107  
D292,134 S \* 9/1987 McDaniel, Sr. .... D32/56

D293,193 S \* 12/1987 Vandervoort ..... D7/354  
D351,304 S \* 10/1994 Glass ..... D6/536  
D368,195 S \* 3/1996 Scott ..... D6/536  
D386,029 S \* 11/1997 Hsu ..... D6/536  
D397,267 S \* 8/1998 Scott ..... D6/536  
D418,646 S \* 1/2000 Hampshire ..... D32/55  
D433,858 S \* 11/2000 Gastelum ..... D6/540  
D492,527 S \* 7/2004 Snell ..... D6/536  
D496,816 S \* 10/2004 Hoernig ..... D6/540  
D512,862 S \* 12/2005 Hoernig ..... D6/540  
D539,583 S \* 4/2007 Slimane ..... D6/553  
D615,789 S \* 5/2010 Scott ..... D6/536  
D669,678 S \* 10/2012 Legreca ..... D3/205  
D669,685 S \* 10/2012 Legreca ..... D3/304  
D693,082 S \* 11/2013 Evans ..... D32/56  
D698,182 S \* 1/2014 Schall ..... D6/403  
D704,953 S \* 5/2014 Reitze ..... D6/536  
D751,291 S \* 3/2016 MacNeil ..... D3/304  
D781,018 S \* 3/2017 Evans ..... D32/55

\* cited by examiner

*Primary Examiner* — David G Muller  
*Assistant Examiner* — Nathan M Johnston  
(74) *Attorney, Agent, or Firm* — Rosenberg, Klein & Lee

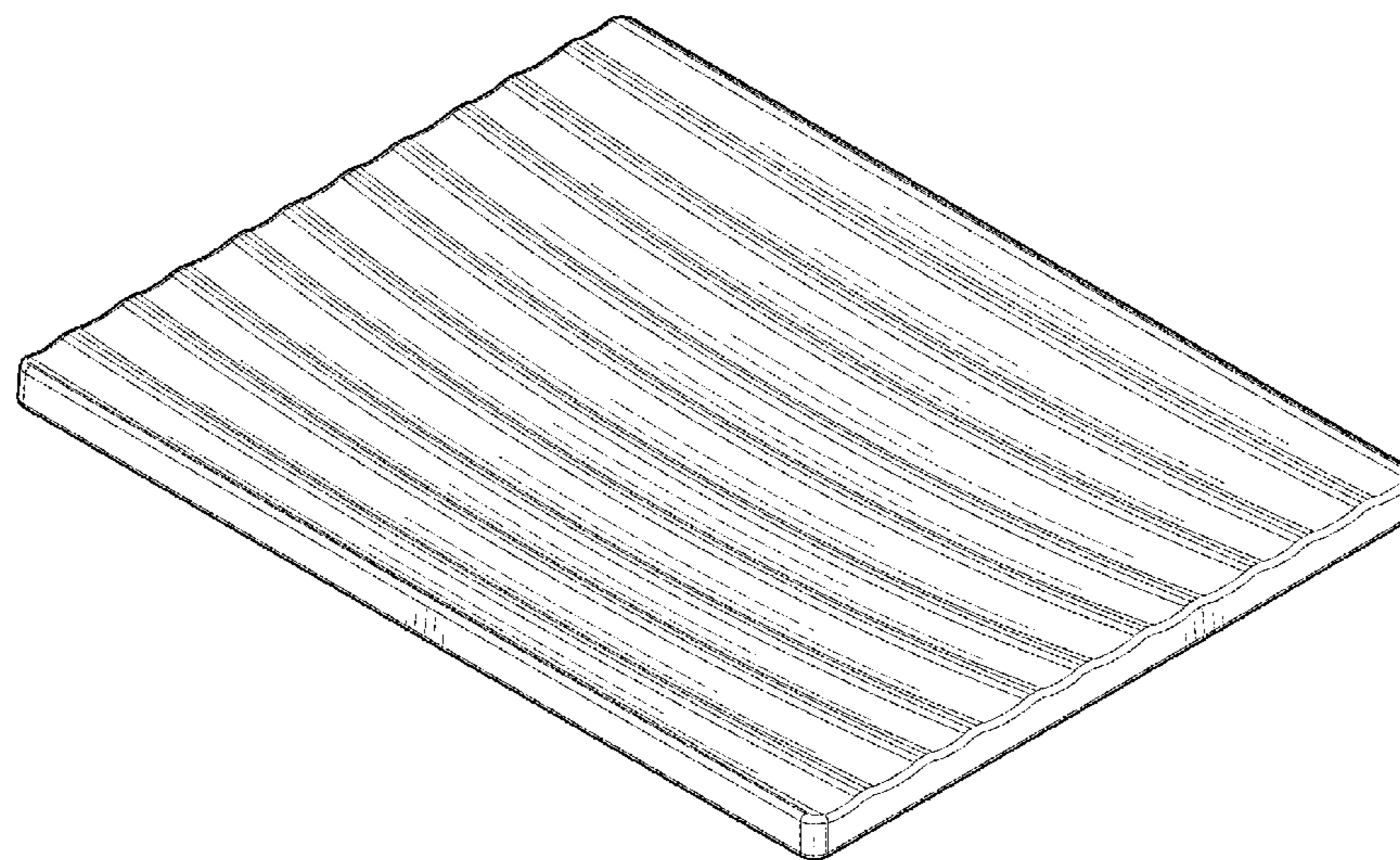
(57) **CLAIM**

The ornamental design for a soap dish, as shown and described.

**DESCRIPTION**

FIG. 1 is a perspective view of my new design for a soap dish;  
FIG. 2 is a front view thereof;  
FIG. 3 is a rear view thereof;  
FIG. 4 is a left view thereof;  
FIG. 5 is a right view thereof;  
FIG. 6 is a top plan view thereof;  
FIG. 7 is a bottom plan view thereof, and,  
FIG. 8 is another perspective view thereof.

**1 Claim, 5 Drawing Sheets**



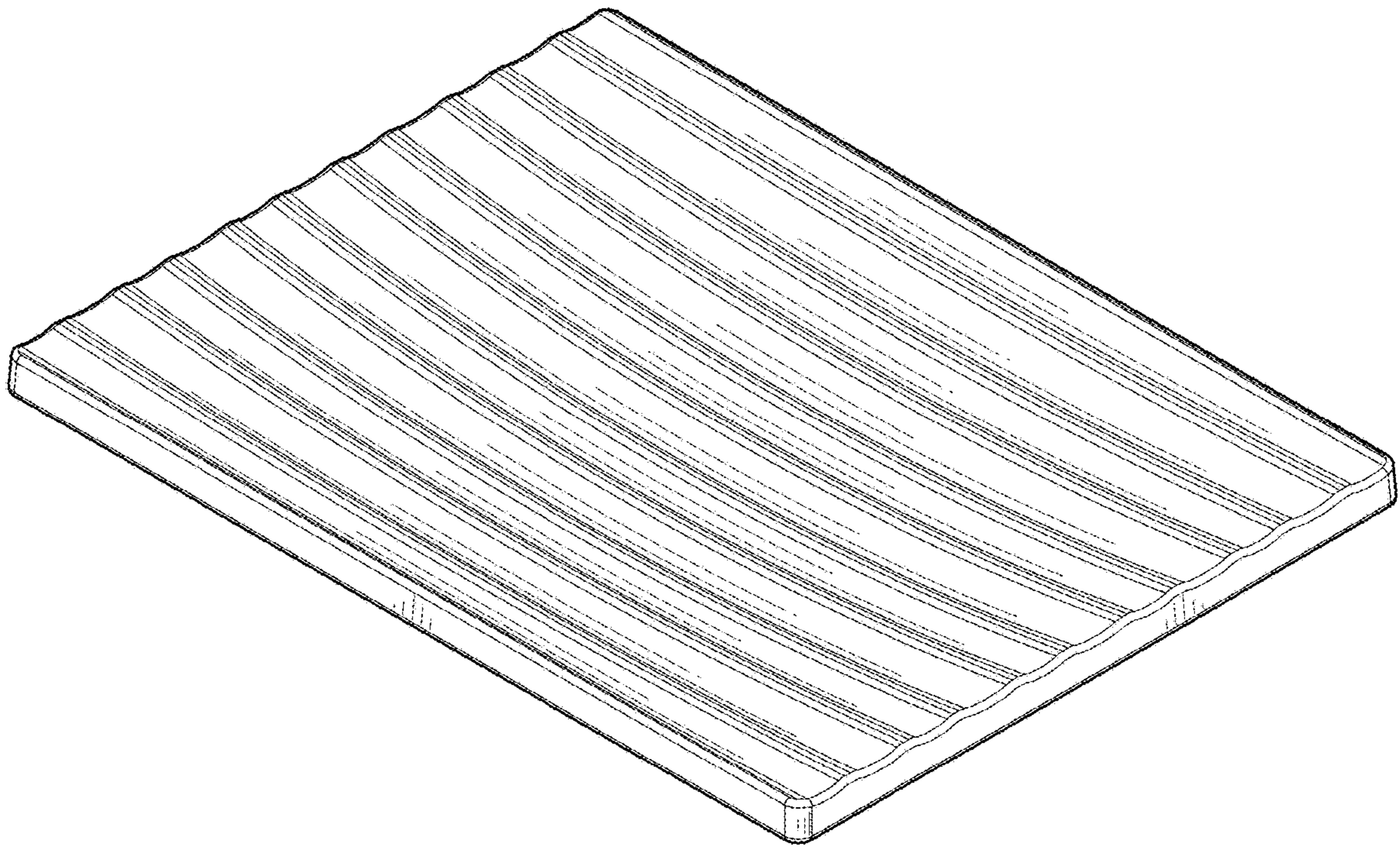


FIG. 1

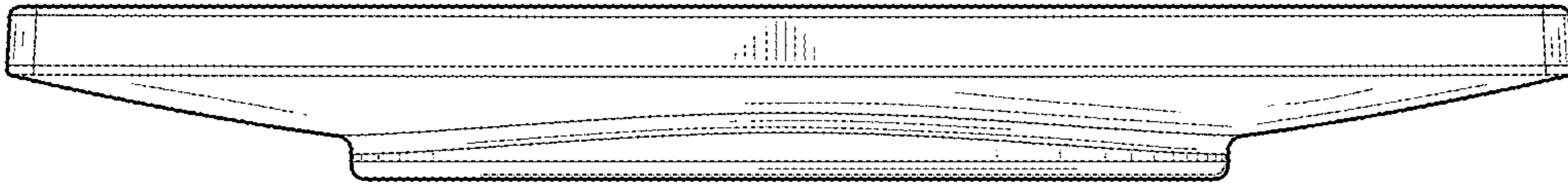


FIG. 2

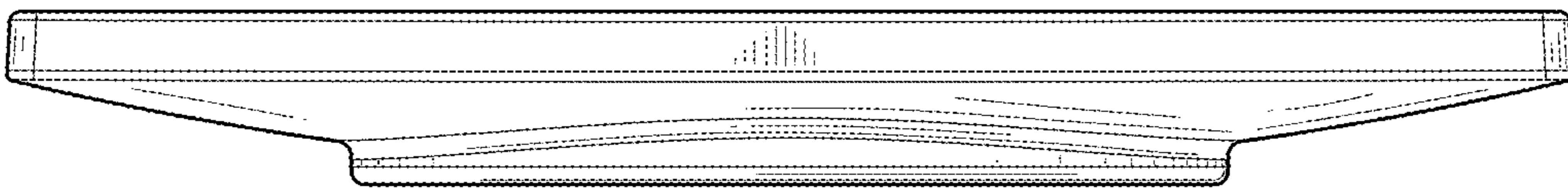


FIG. 3



FIG. 4

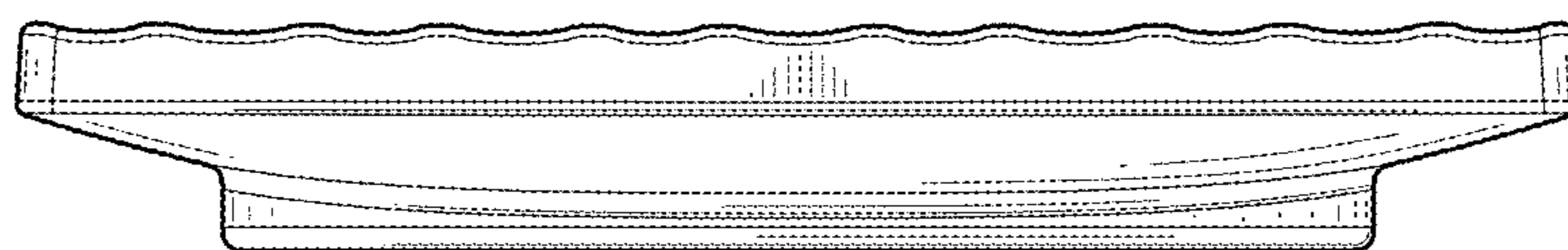


FIG. 5

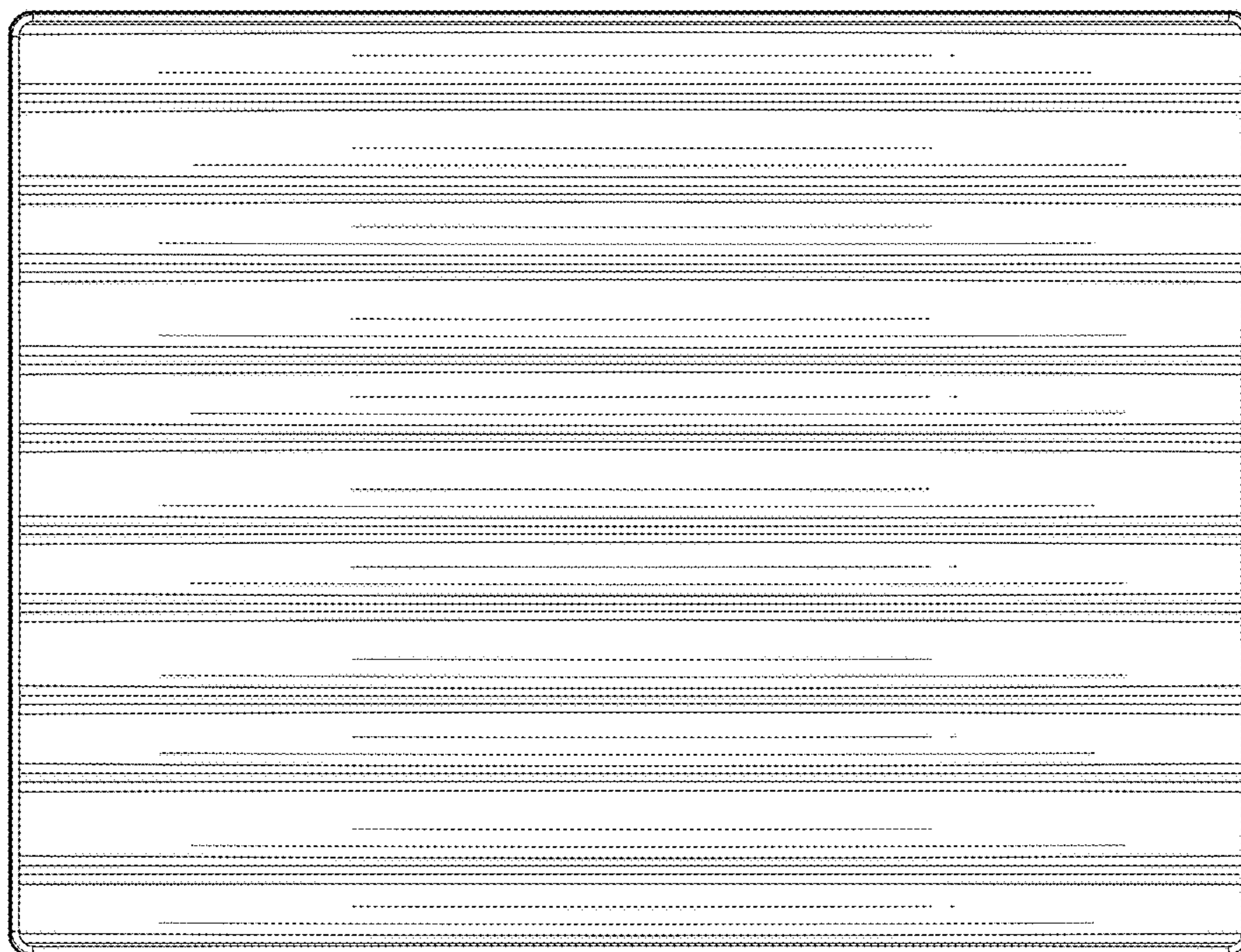


FIG. 6

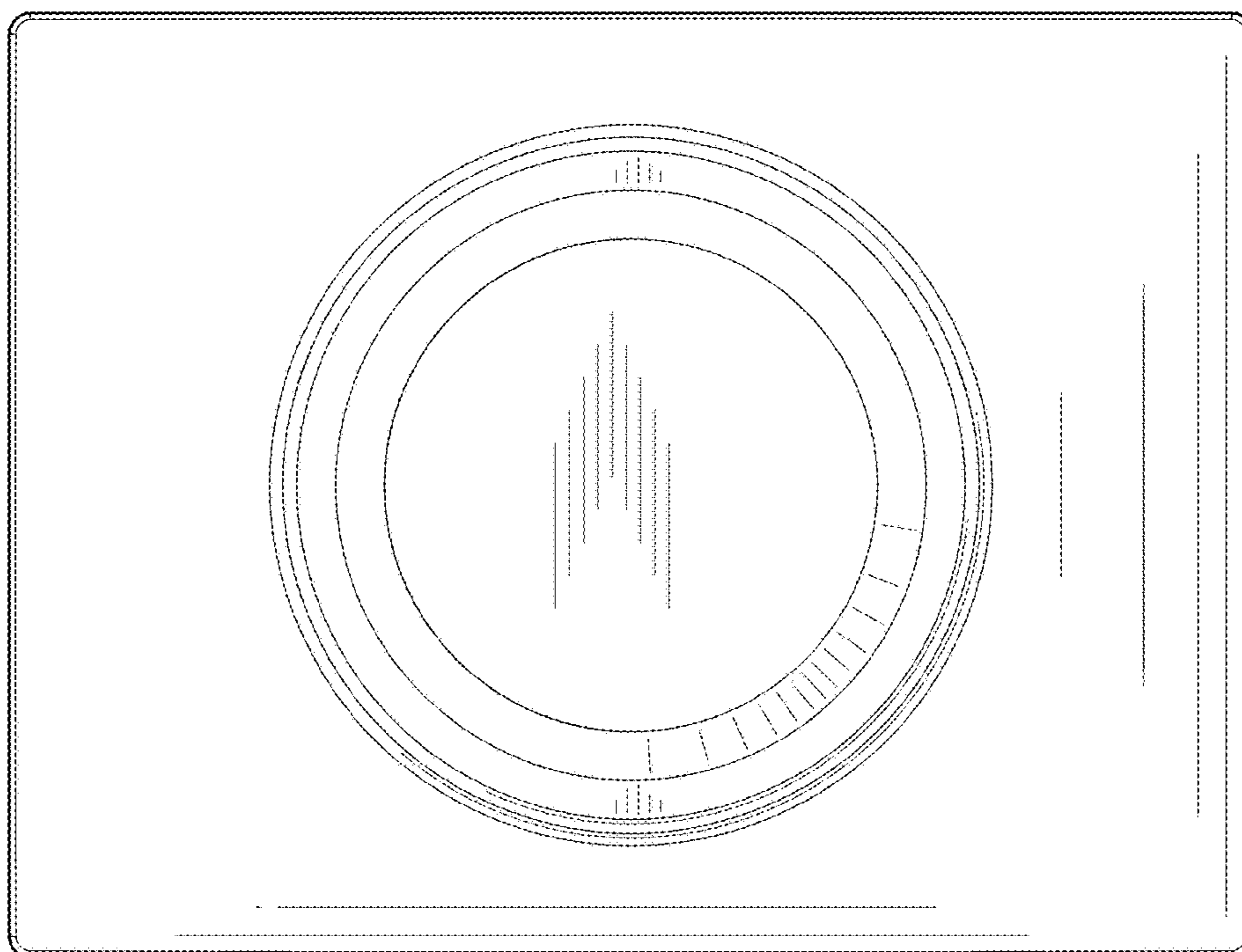


FIG. 7

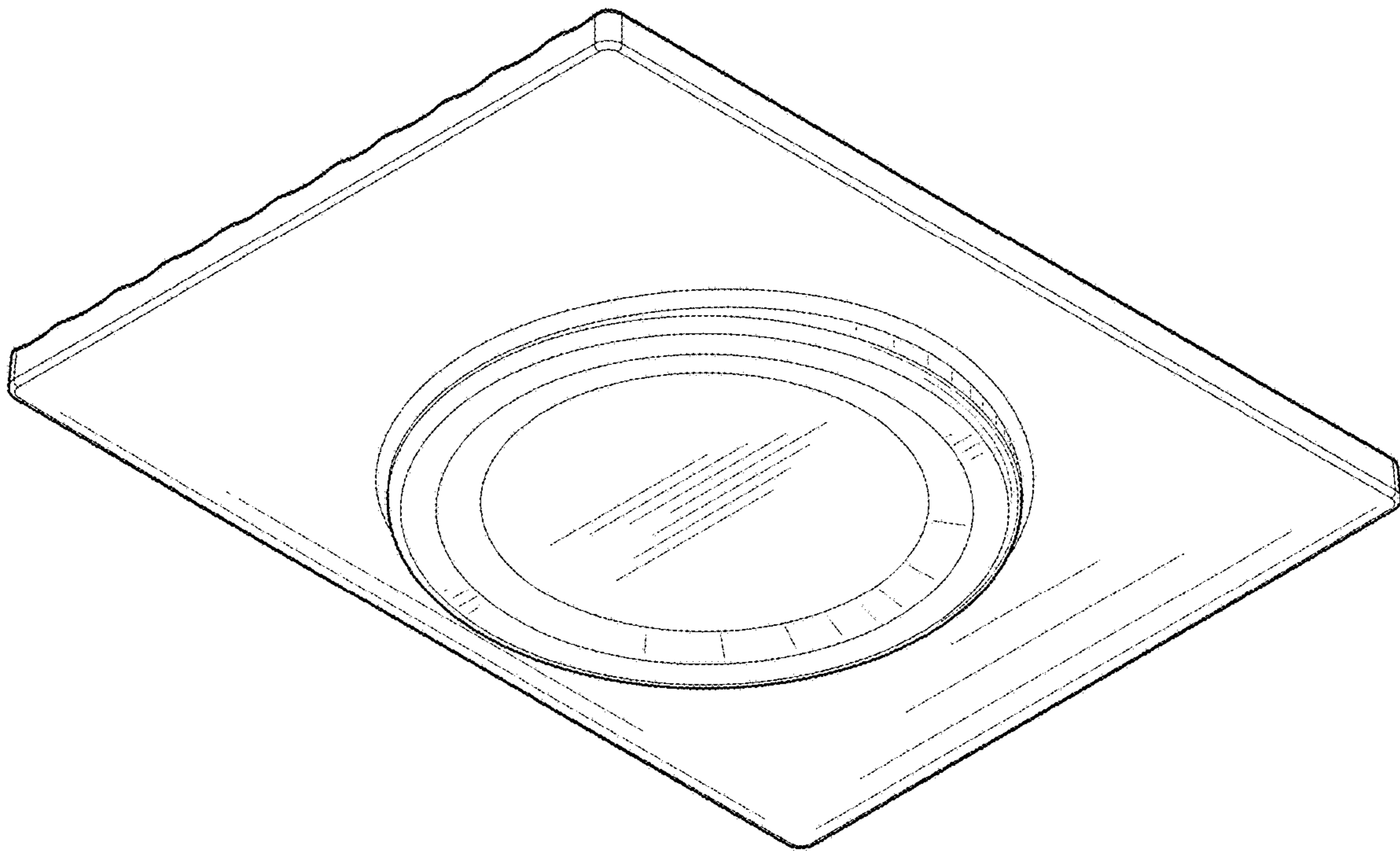


FIG. 8