

US00D803597S

(12) **United States Design Patent** (10) **Patent No.:** **US D803,597 S**
Massaud (45) **Date of Patent:** **** Nov. 28, 2017**

(54) **CHAIR**
(71) Applicant: **DEON, GmbH**, Lüneburg (DE)
(72) Inventor: **Jean-Marie Massaud**, Paris (FR)
(73) Assignee: **DEDON, GmbH**, Lüneburg (DE)
(**) Term: **15 Years**
(21) Appl. No.: **29/588,706**
(22) Filed: **Dec. 22, 2016**
(51) **LOC (10) Cl.** **06-01**
(52) **U.S. Cl.**
USPC **D6/375**
(58) **Field of Classification Search**
USPC D6/375, 334-336, 371, 372, 373, 374,
D6/376, 379, 380, 716, 716.1, 716.4;
297/239, 411.42, 445.1, 446.1, 448.1,
297/452.12, 452.14, 452.19, 452.2
See application file for complete search history.

(56) **References Cited**
U.S. PATENT DOCUMENTS
D238,989 S * 3/1976 Greaffliex 297/452.12
D256,972 S * 9/1980 Cassina D6/374
D262,168 S * 12/1981 Lustig D6/375
D282,224 S * 1/1986 Huldt D6/375
D289,349 S * 4/1987 Vanderminden D6/379
D343,070 S * 1/1994 Rasmussen D6/375
D343,964 S * 2/1994 Gibbs D6/374
D344,194 S * 2/1994 Gibbs D6/373
D354,405 S * 1/1995 Greene D6/370
D358,041 S * 5/1995 Watts D6/379
D358,264 S * 5/1995 Vanderminden, Sr. D6/375
D358,267 S * 5/1995 Ginat D6/379
D358,721 S * 5/1995 Hess D6/373
D362,557 S * 9/1995 Escalona D6/375
D409,408 S * 5/1999 James D6/379

D438,398 S * 3/2001 Frinier D6/375
D452,083 S * 12/2001 Pluer D6/375
D534,366 S * 1/2007 Grosfillex D6/374
D540,559 S * 4/2007 Neil D6/376
D543,373 S * 5/2007 Schweikarth D6/379
D545,585 S * 7/2007 Vanderminden, Sr. D6/375
D547,083 S * 7/2007 Wang D6/375
D547,964 S * 8/2007 Olano D6/379
D549,979 S * 9/2007 Kane D6/374
D583,162 S * 12/2008 Vallet D6/369
D587,477 S * 3/2009 Neil D6/379
D601,822 S * 10/2009 Neil D6/374
D604,519 S * 11/2009 Beckley D6/334
D621,632 S * 8/2010 Ritter D6/375
D642,818 S * 8/2011 Caldwell D6/375

(Continued)

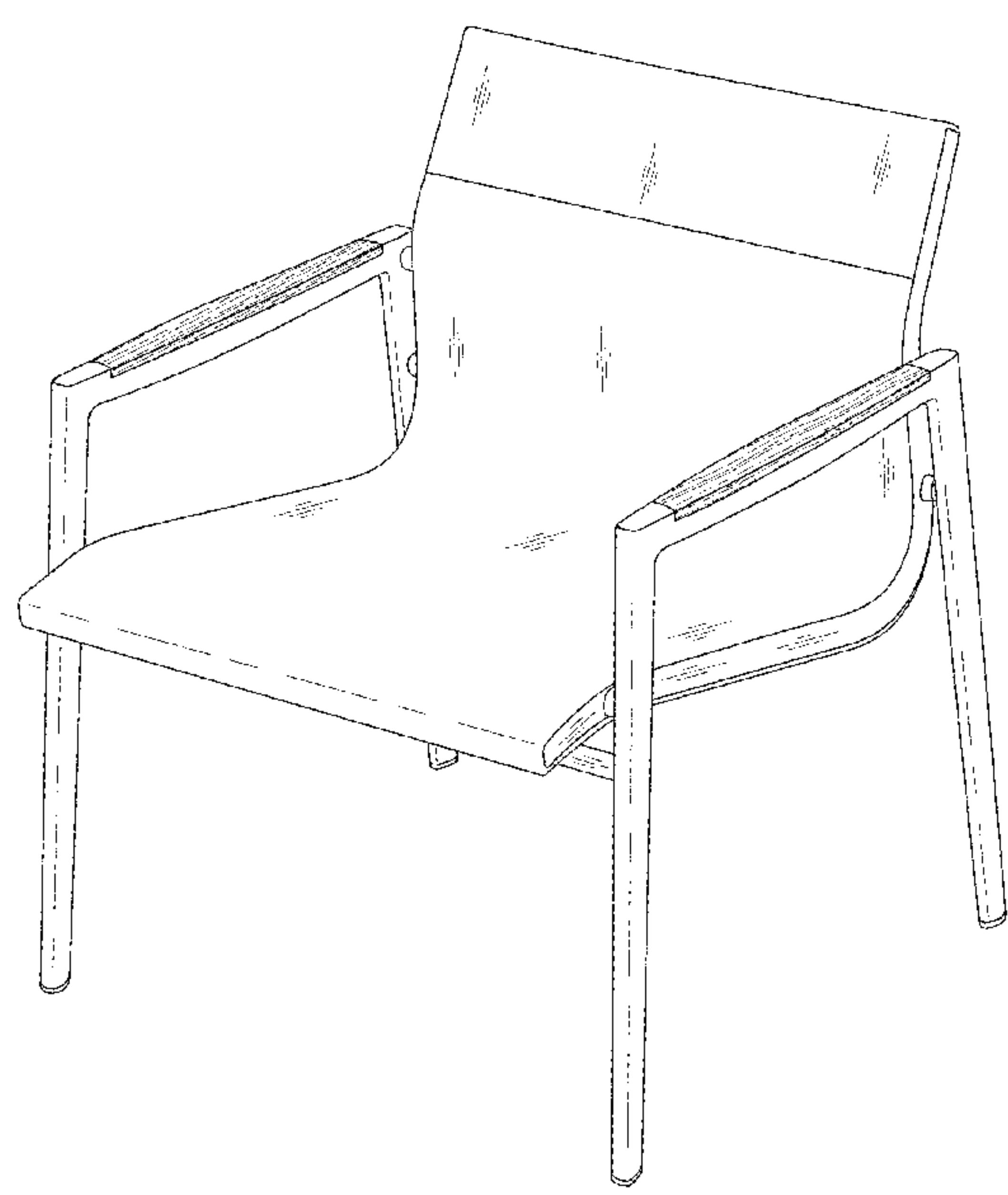
Primary Examiner — David G Muller
Assistant Examiner — Nathan M Johnston
(74) *Attorney, Agent, or Firm* — MacCord Mason PLLC

(57) **CLAIM**
The ornamental design for a chair, as shown and described.

DESCRIPTION

FIG. 1 is a front perspective view of a chair showing my new design;
FIG. 2 is a front elevation view thereof;
FIG. 3 is a side elevation view, the opposite side elevation view being a mirror image;
FIG. 4 is a rear elevation view thereof;
FIG. 5 is a top plan view;
FIG. 6 is a front perspective view of a second embodiment showing my new design;
FIG. 7 is a front elevation view thereof;
FIG. 8 is a side elevation view, the opposite side elevation being a mirror image thereof;
FIG. 9 is a rear elevation view thereof; and,
FIG. 10 it is a top plan view thereof.

1 Claim, 10 Drawing Sheets



(56)

References Cited

U.S. PATENT DOCUMENTS

D651,015	S	*	12/2011	Jordan	D6/379
D666,428	S	*	9/2012	Morrison	D6/375
D670,928	S	*	11/2012	Montel	D6/375
D684,398	S	*	6/2013	Pedersen	D6/716
D688,889	S	*	9/2013	Pedersen	D6/379
D696,525	S	*	12/2013	Fernandes	D6/379
D728,960	S	*	5/2015	Lievore	D6/375
2002/0047298	A1	*	4/2002	Brauning	A47C 3/04 297/448.1
2013/0161999	A1	*	6/2013	Schultz	A47C 1/143 297/452.2

* cited by examiner

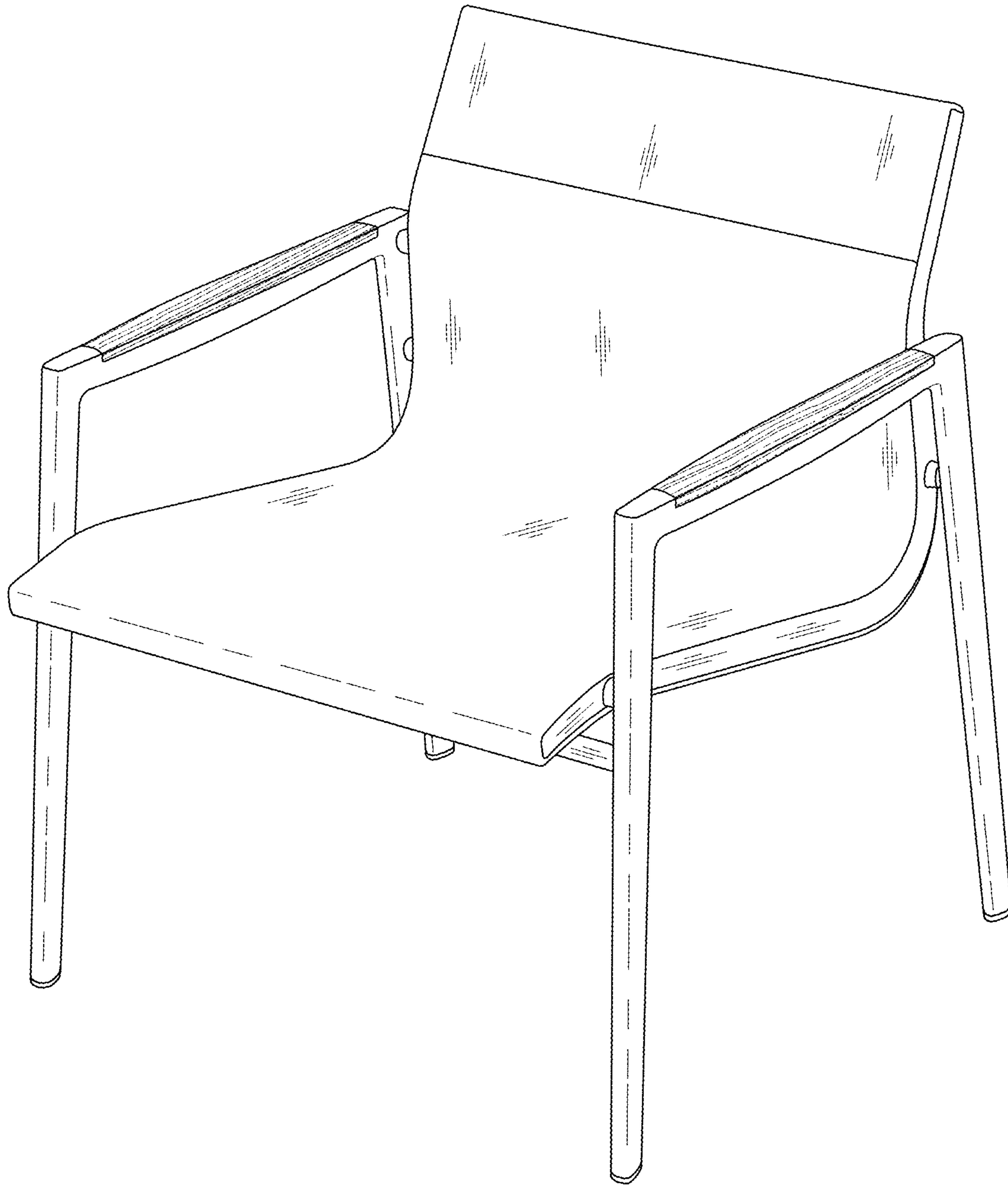


FIG. 1

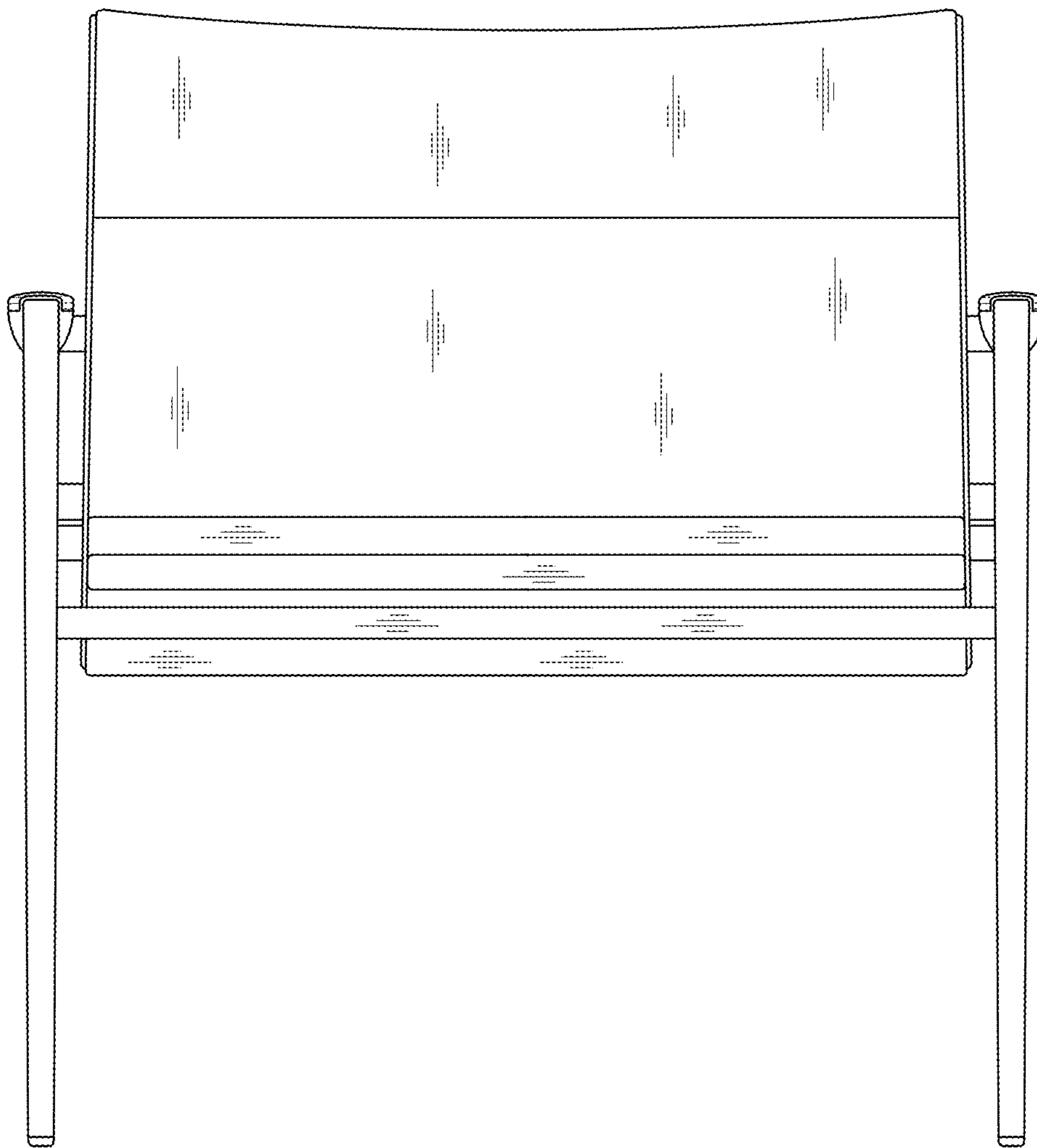


FIG. 2

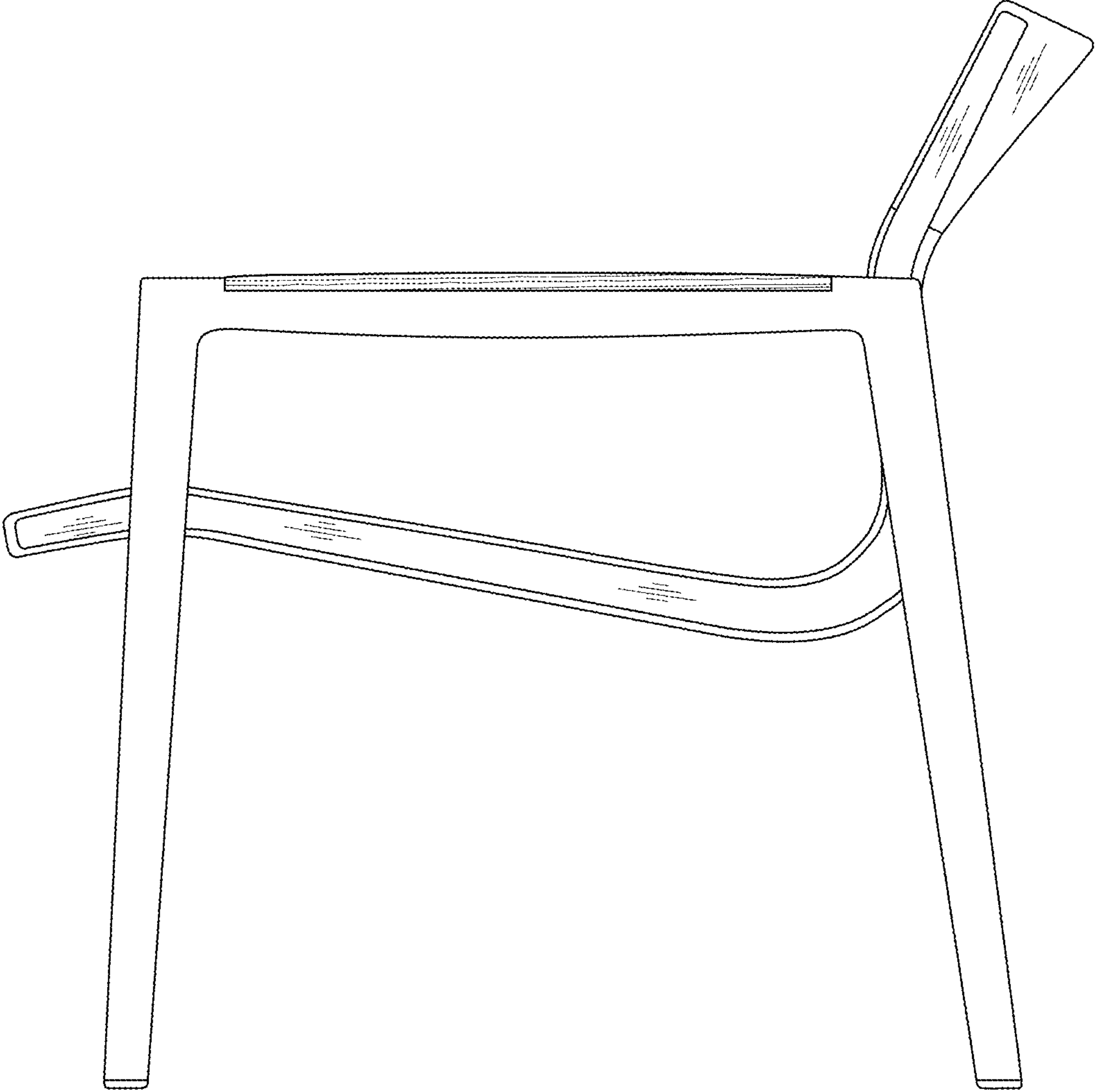


FIG. 3

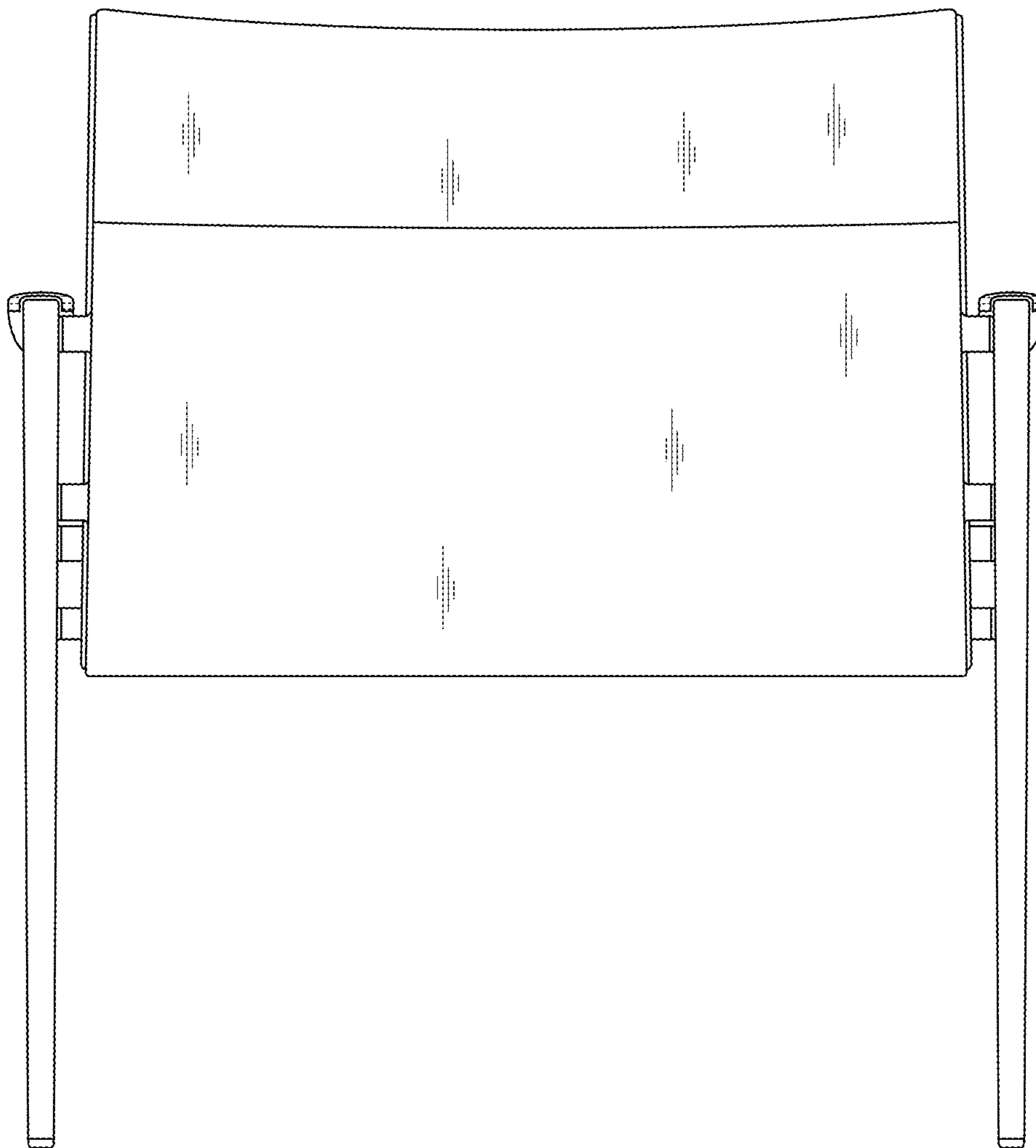


FIG. 4

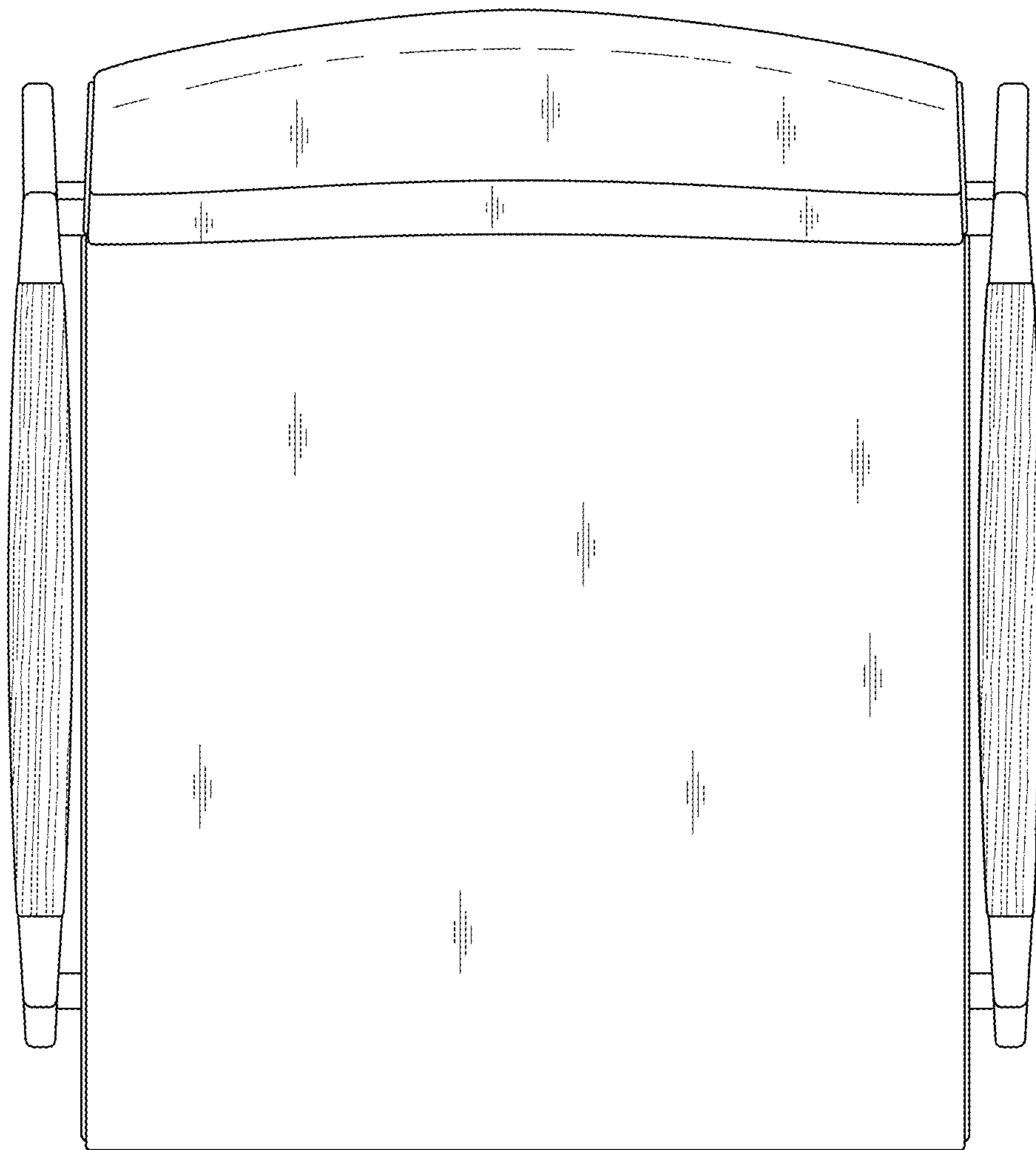


FIG. 5

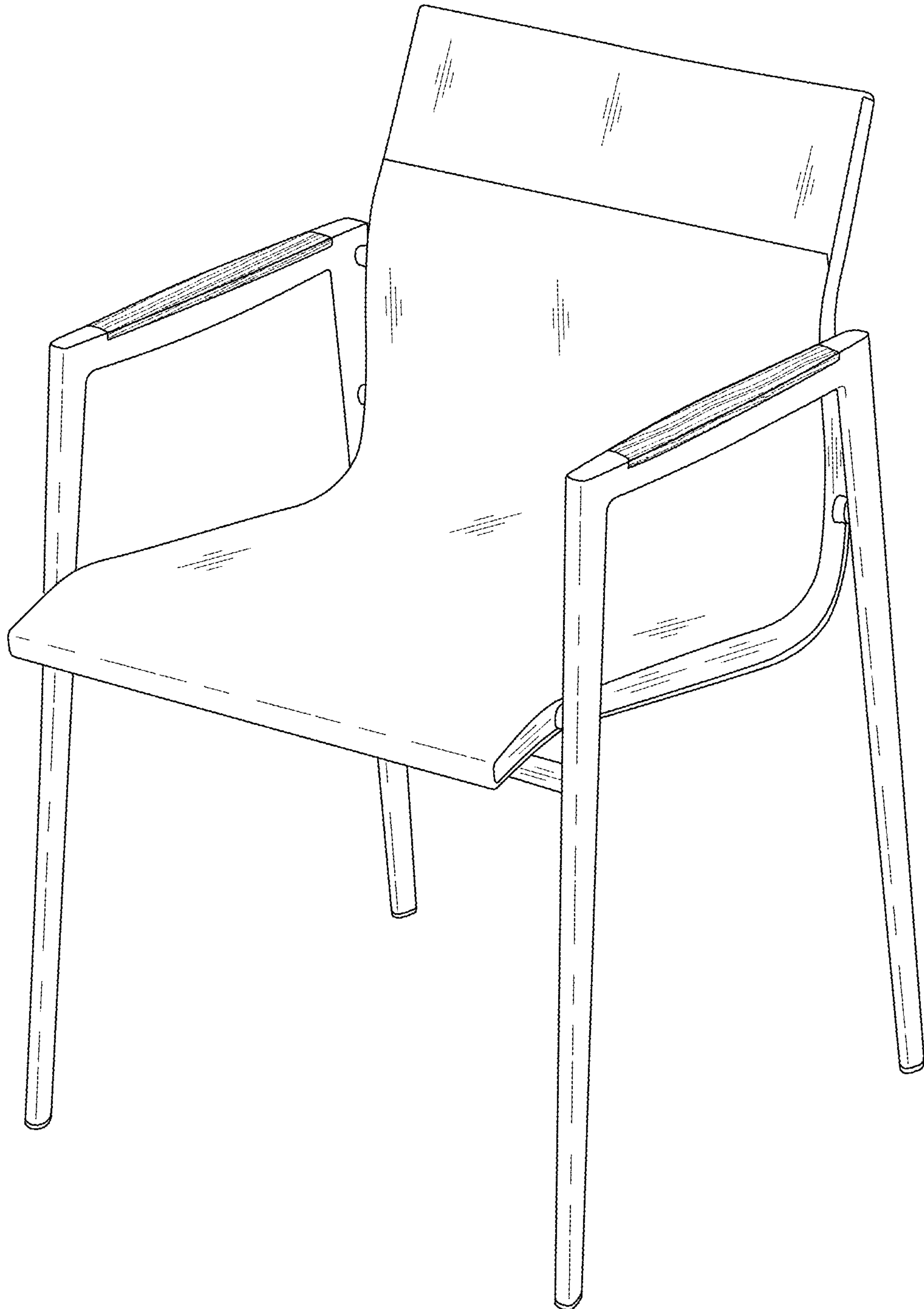


FIG. 6

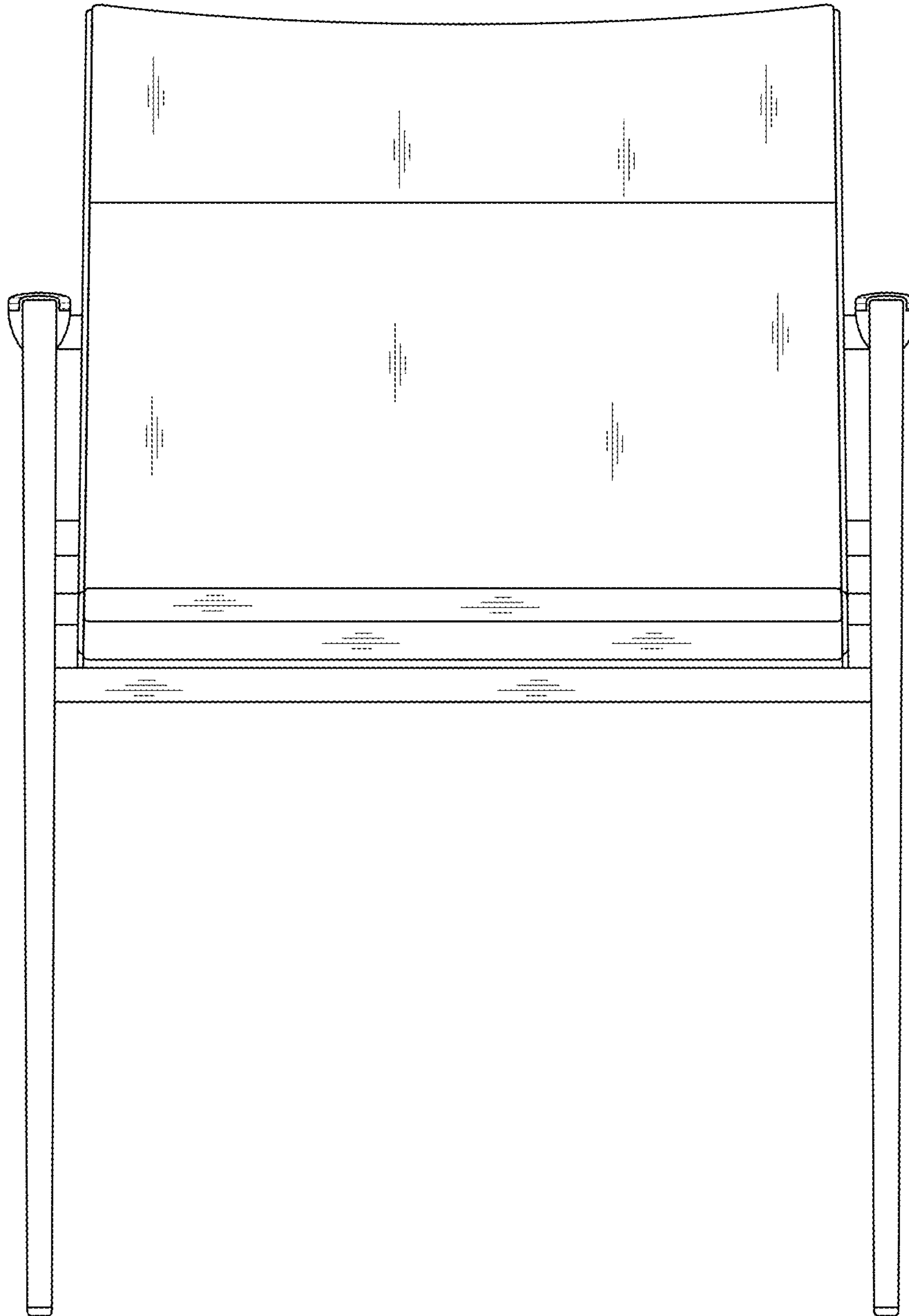


FIG. 7

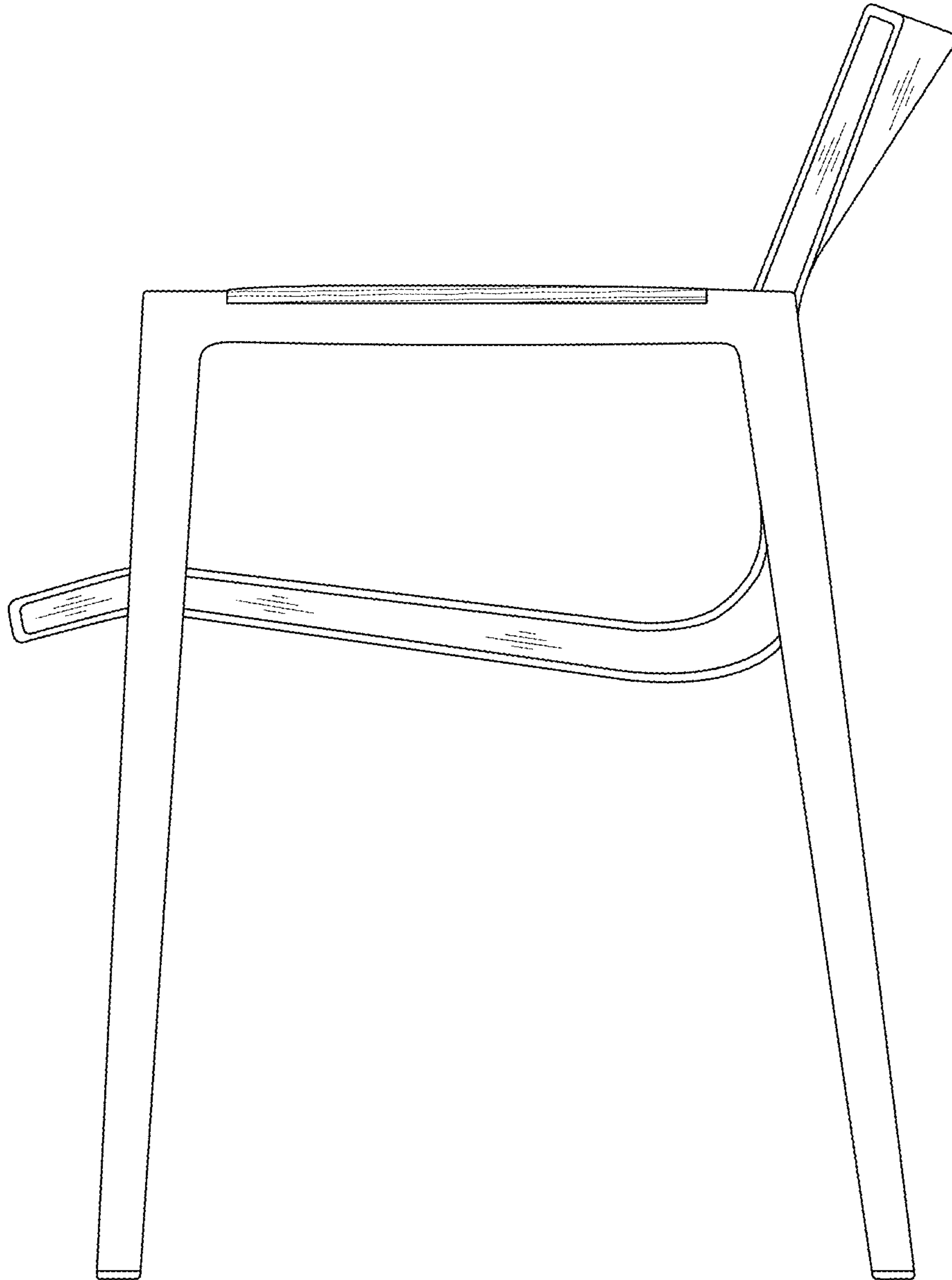


FIG. 8

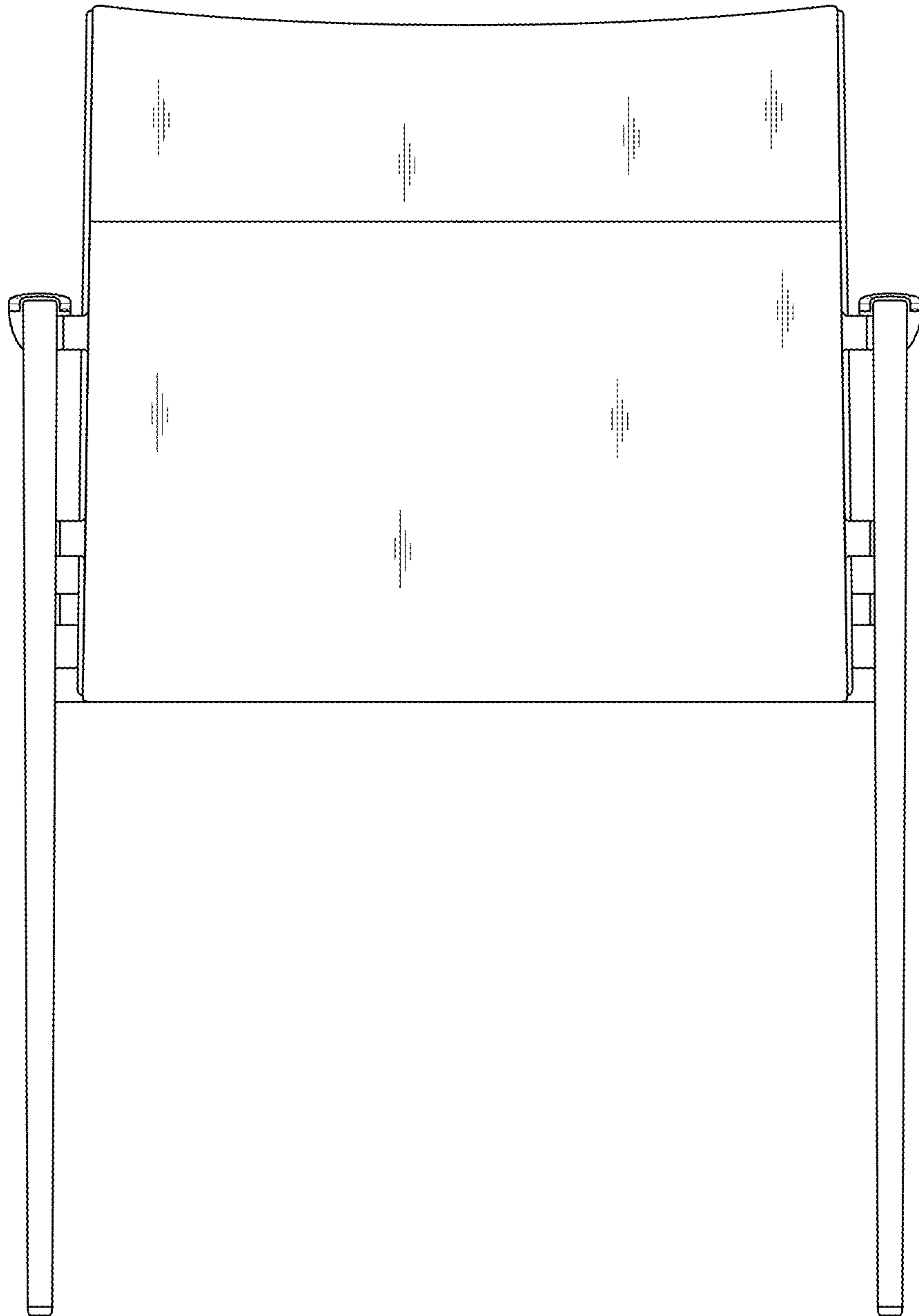


FIG. 9

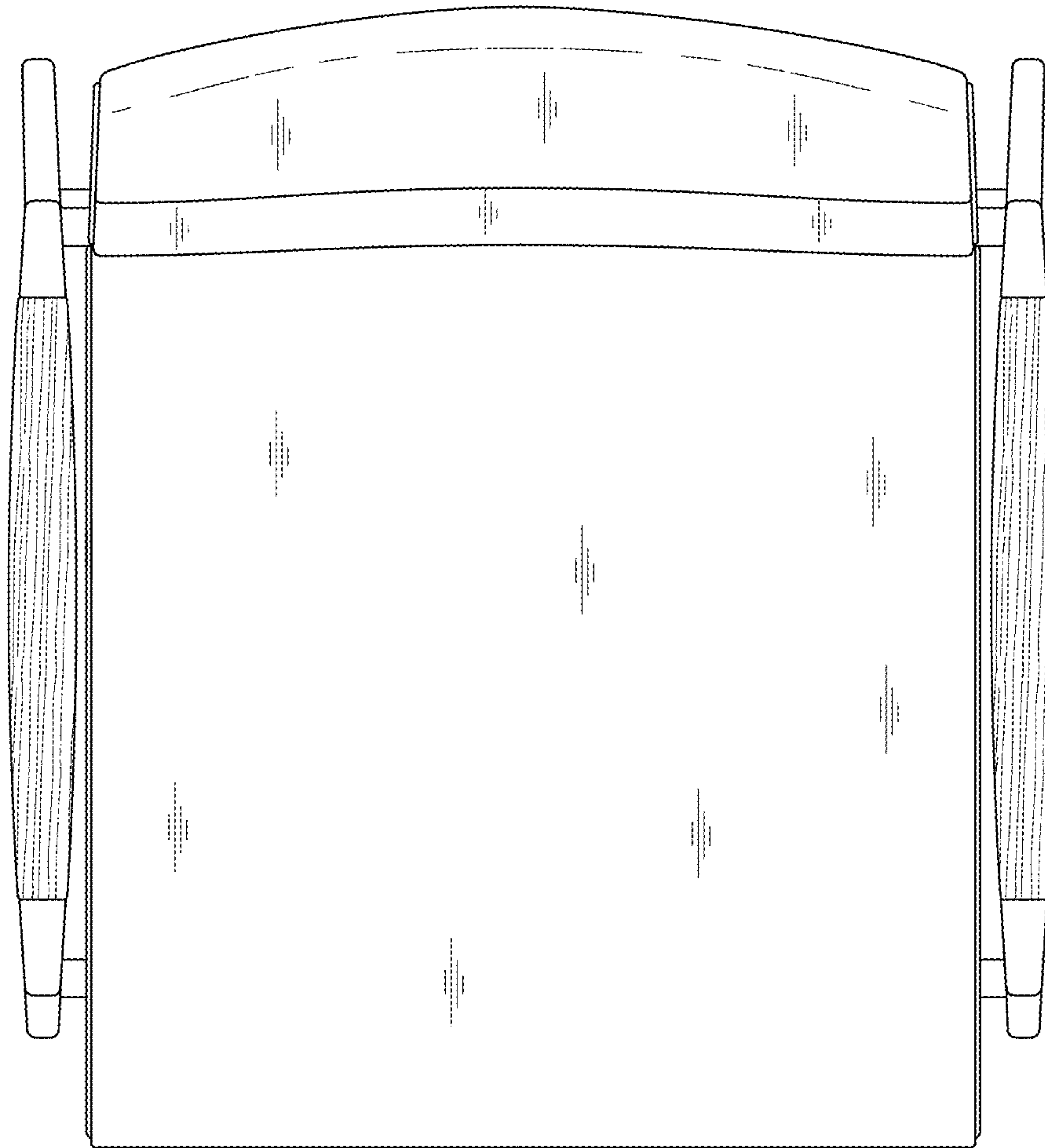


FIG. 10