



US00D803596S

(12) **United States Design Patent**  
**Neil**

(10) **Patent No.:** **US D803,596 S**

(45) **Date of Patent:** **\*\* Nov. 28, 2017**

(54) **CHAIR**

(71) Applicant: **Gary Neil**, Mississauga (CA)

(72) Inventor: **Gary Neil**, Mississauga (CA)

(73) Assignee: **Allseating Corporation**, Mississauga,  
Ontario

(\*\*) Term: **15 Years**

(21) Appl. No.: **29/567,922**

(22) Filed: **Jun. 14, 2016**

(30) **Foreign Application Priority Data**

Jun. 8, 2016 (CA) ..... 168851

(51) **LOC (10) Cl.** ..... **06-01**

(52) **U.S. Cl.**  
USPC ..... **D6/372**

(58) **Field of Classification Search**  
USPC ..... D6/334, 349-350, 364-368, 374, 375,  
D6/379, 380, 403, 405, 406.6, 654-654.1,  
D6/678-678.2, 682.1-682.6, 684-686,  
D6/691, 691.8-691.9, 698, 699, 705,  
D6/705.5, 707.19, 708, 708.21, 716;  
297/284.4, 452.18, 452.24, 452.26,  
297/452.28, 452.32-452.33, 452.37  
CPC .... A47C 7/02; A47C 7/44; A47C 7/46; A47C  
7/48; A47C 7/54; A47C 7/386; A47C  
7/462; A47C 1/10; A47C 1/031; B60N  
2/02; B60N 2/22; B60N 2/44  
See application file for complete search history.

(56) **References Cited**

**U.S. PATENT DOCUMENTS**

D245,952 S \* 10/1977 Luthy ..... D6/372  
D269,142 S \* 5/1983 Umanoff ..... D6/372  
D371,914 S \* 7/1996 Beaulieu ..... D6/372  
D378,327 S \* 3/1997 Beaulieu ..... D6/372  
D399,072 S \* 10/1998 Holbrook ..... D6/372

D456,163 S \* 4/2002 Englisch ..... D6/372  
D467,751 S \* 12/2002 Lepper ..... D6/372  
D554,881 S \* 11/2007 de Brabandere ..... D6/372  
D564,771 S \* 3/2008 Dauphin ..... D6/372  
D576,417 S \* 9/2008 Dietrich ..... D6/372  
D590,617 S \* 4/2009 Benn ..... D6/372  
D617,110 S \* 6/2010 Dorner ..... D6/372  
D648,558 S \* 11/2011 Lievore ..... D6/372  
D651,425 S \* 1/2012 Bellin ..... D6/372  
D651,823 S \* 1/2012 Zund ..... D6/372  
D666,427 S \* 9/2012 Morrison ..... D6/372  
D683,157 S \* 5/2013 Pedersen ..... D6/372  
D789,701 S \* 6/2017 Westfall ..... D6/372

**OTHER PUBLICATIONS**

Alibaba [online] found on Jul. 27, 2017 from URL [https://www.alibaba.com/product-detail/Office-conference-chair-stackable-chairs-hard\\_60380799658.html?spm=a2700.7724838.2017115.104.i18TeL.\\*](https://www.alibaba.com/product-detail/Office-conference-chair-stackable-chairs-hard_60380799658.html?spm=a2700.7724838.2017115.104.i18TeL.*)

\* cited by examiner

*Primary Examiner* — Manpreet Matharu

*Assistant Examiner* — Keith Wilson

(74) *Attorney, Agent, or Firm* — Lorelei G. Graham

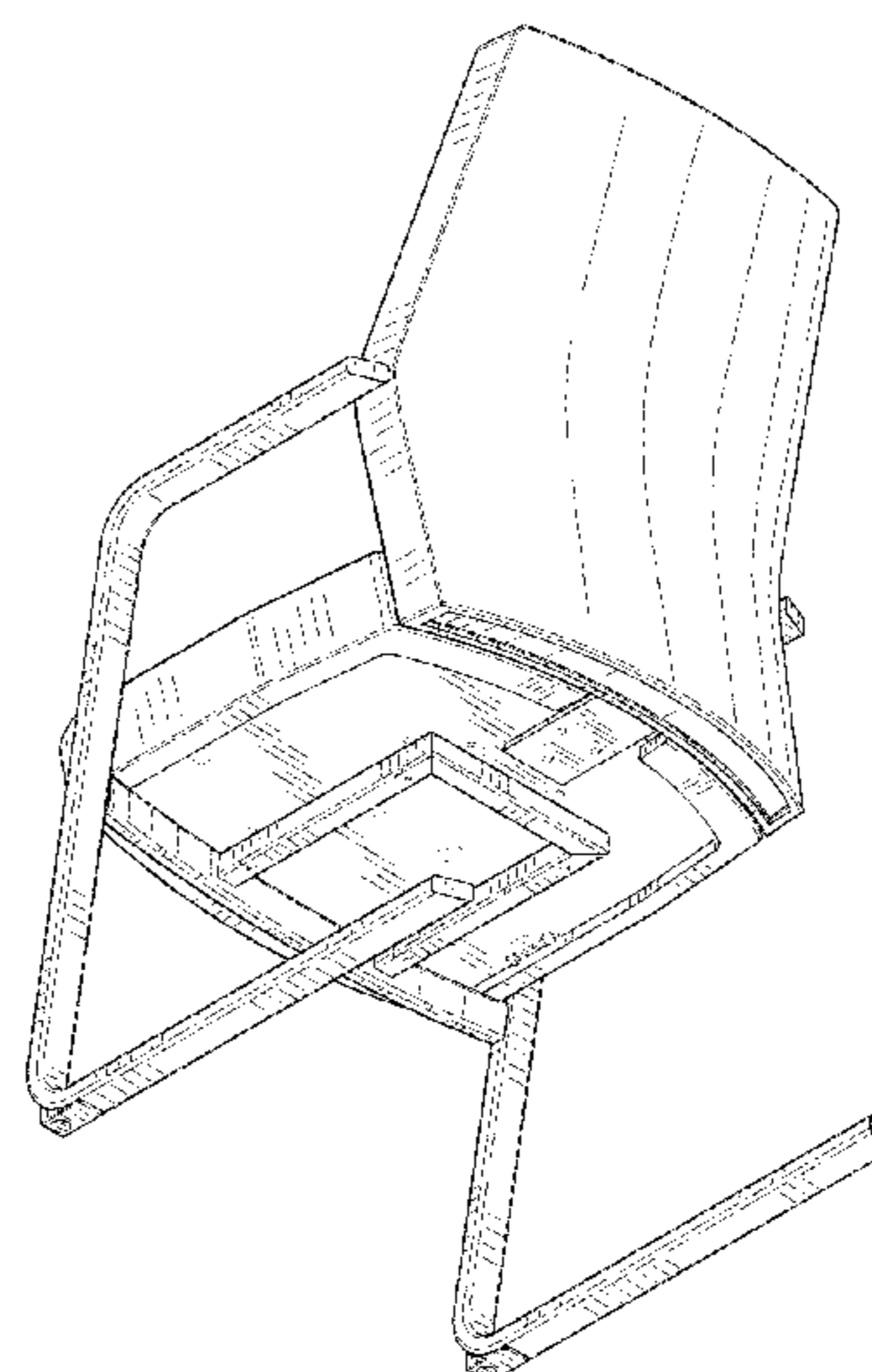
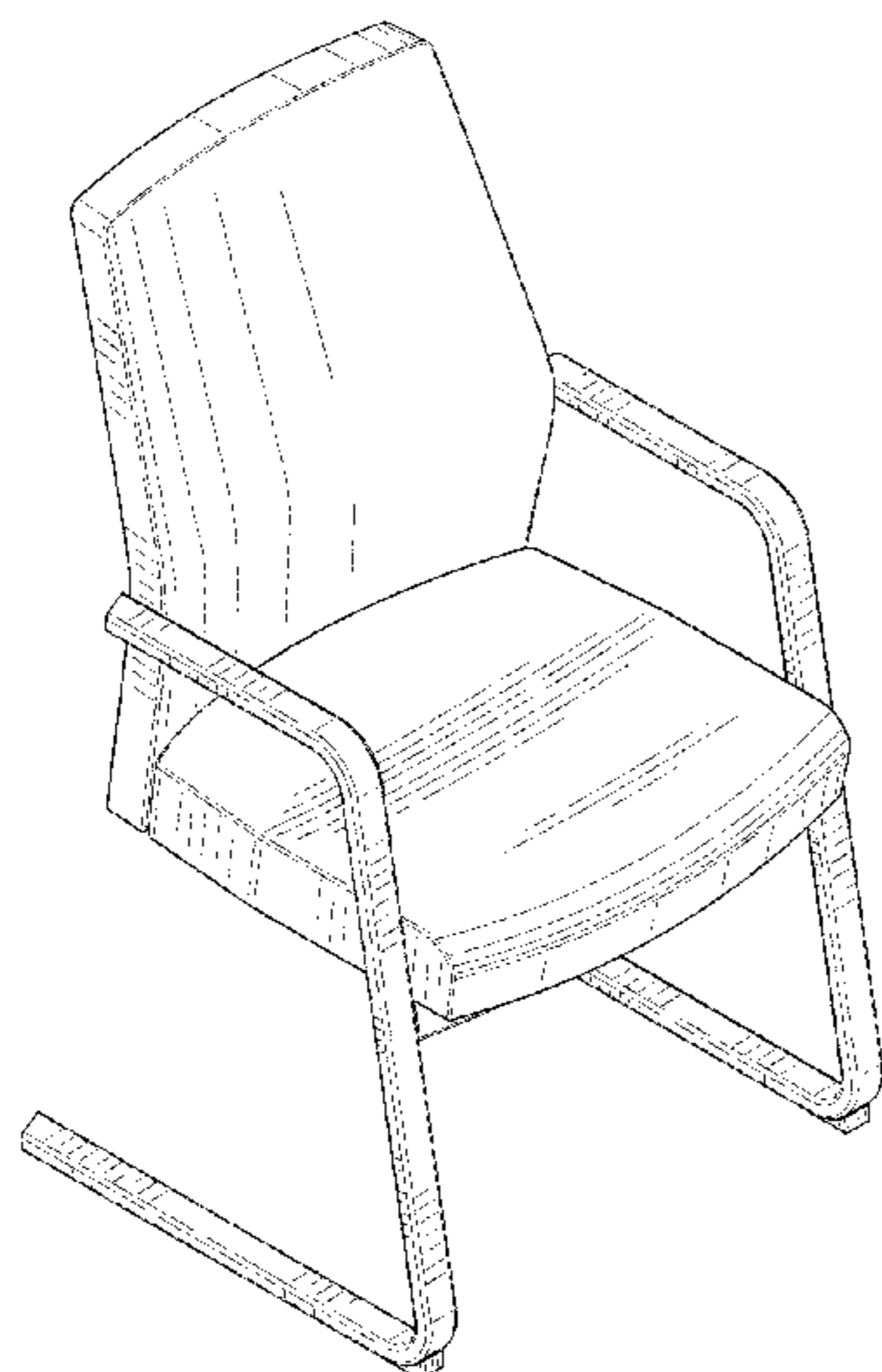
(57) **CLAIM**

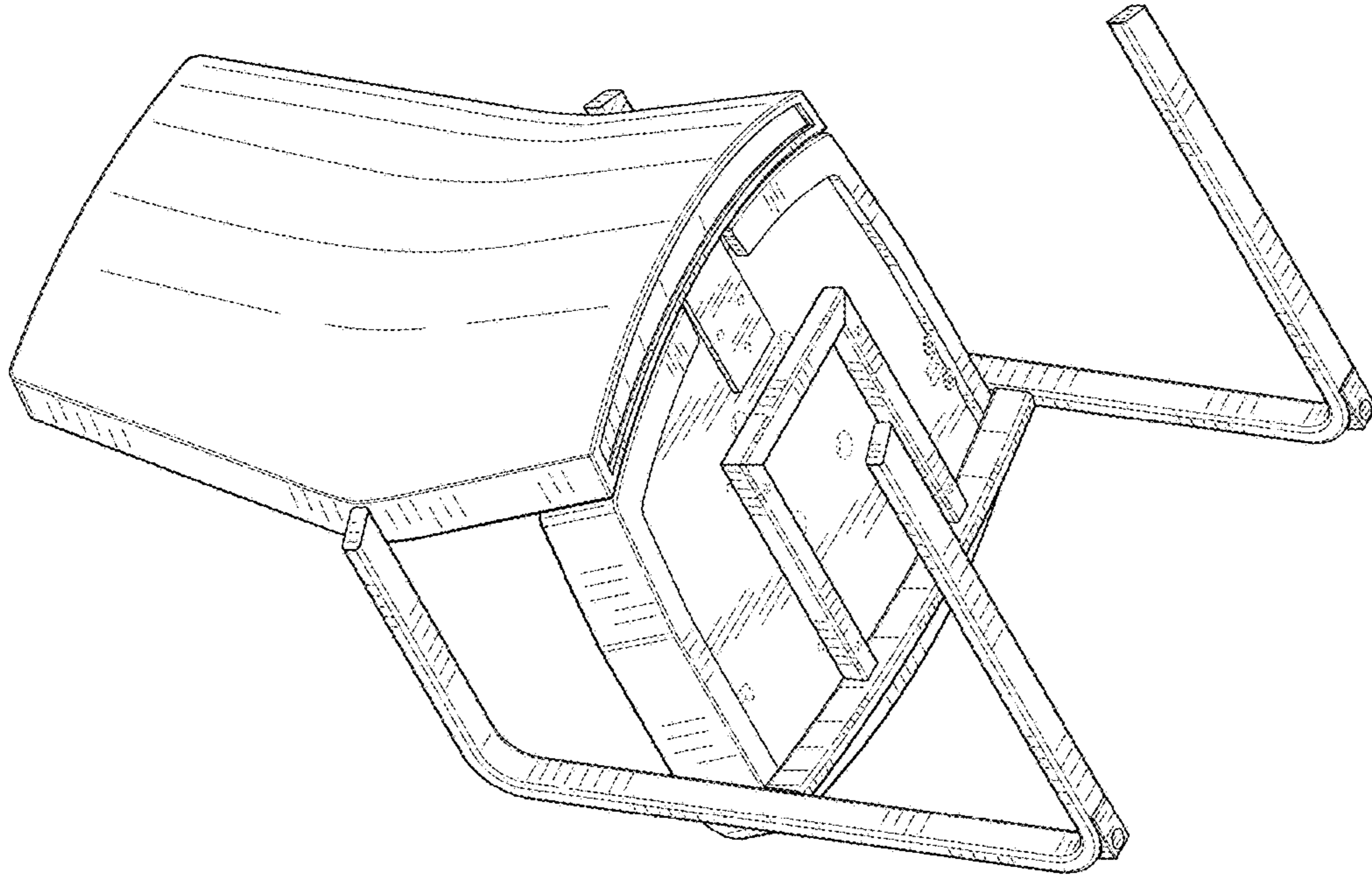
The ornamental design for the chair, as shown and described.

**DESCRIPTION**

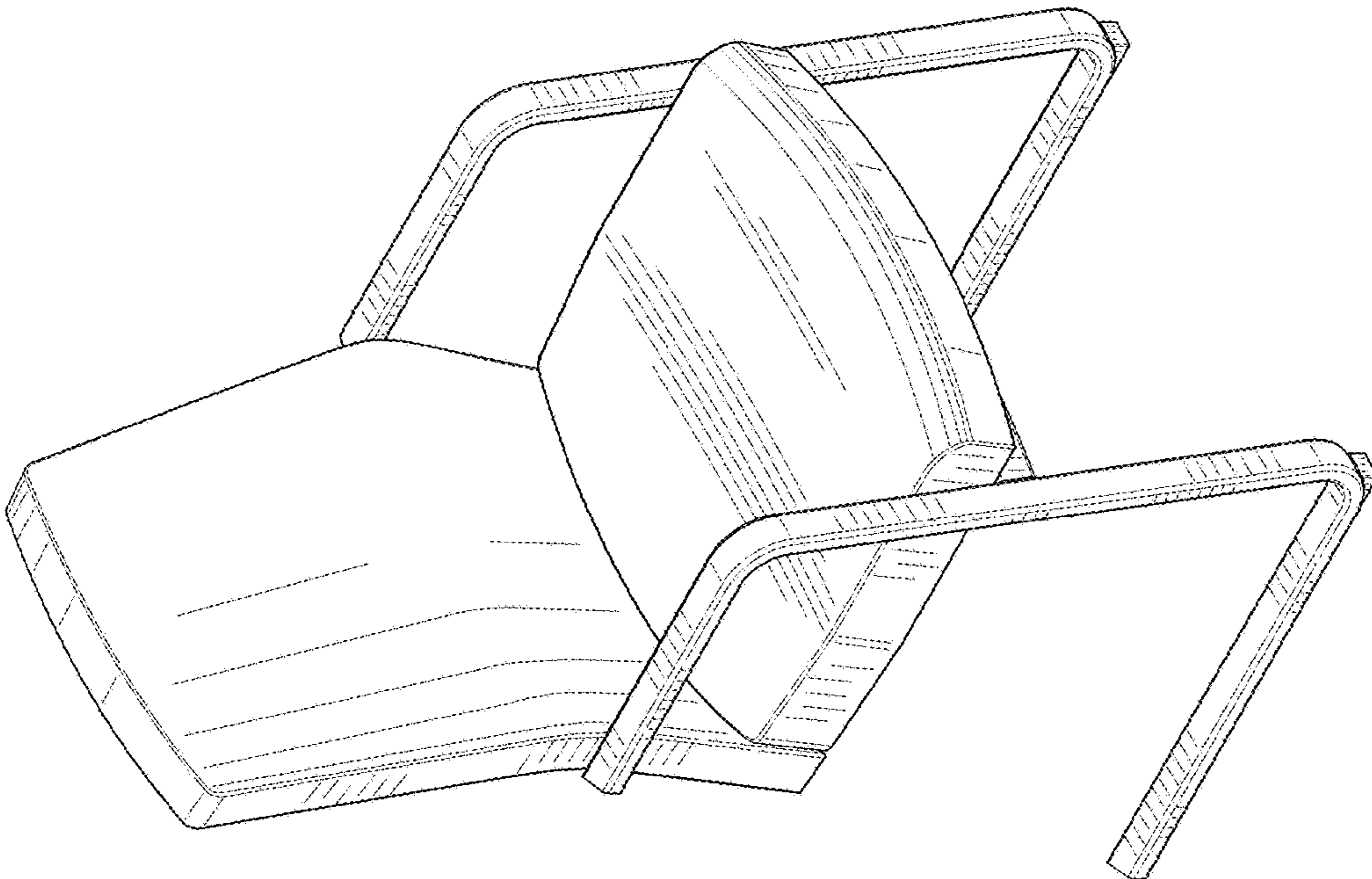
FIG. 1 is a front perspective view of the chair.  
FIG. 2 is a back perspective view of the chair.  
FIG. 3 is a right side view of the chair.  
FIG. 4 is a front view of the chair.  
FIG. 5 is a left side view of the chair.  
FIG. 6 is a back view of the chair.  
FIG. 7 is a top view of the chair; and,  
FIG. 8 is a bottom view of the chair.  
The portions in dashed lines do not form part of the design.

**1 Claim, 4 Drawing Sheets**

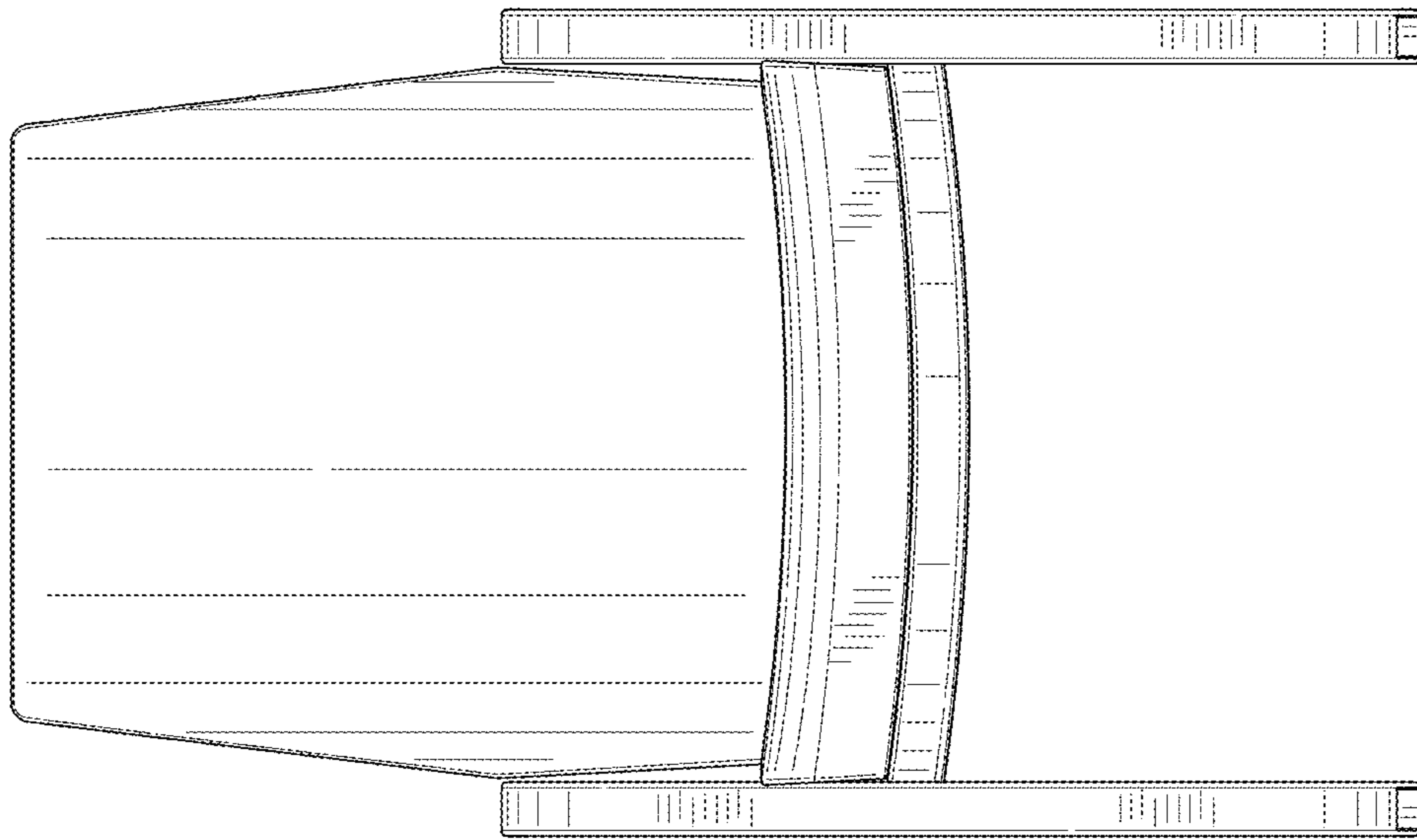




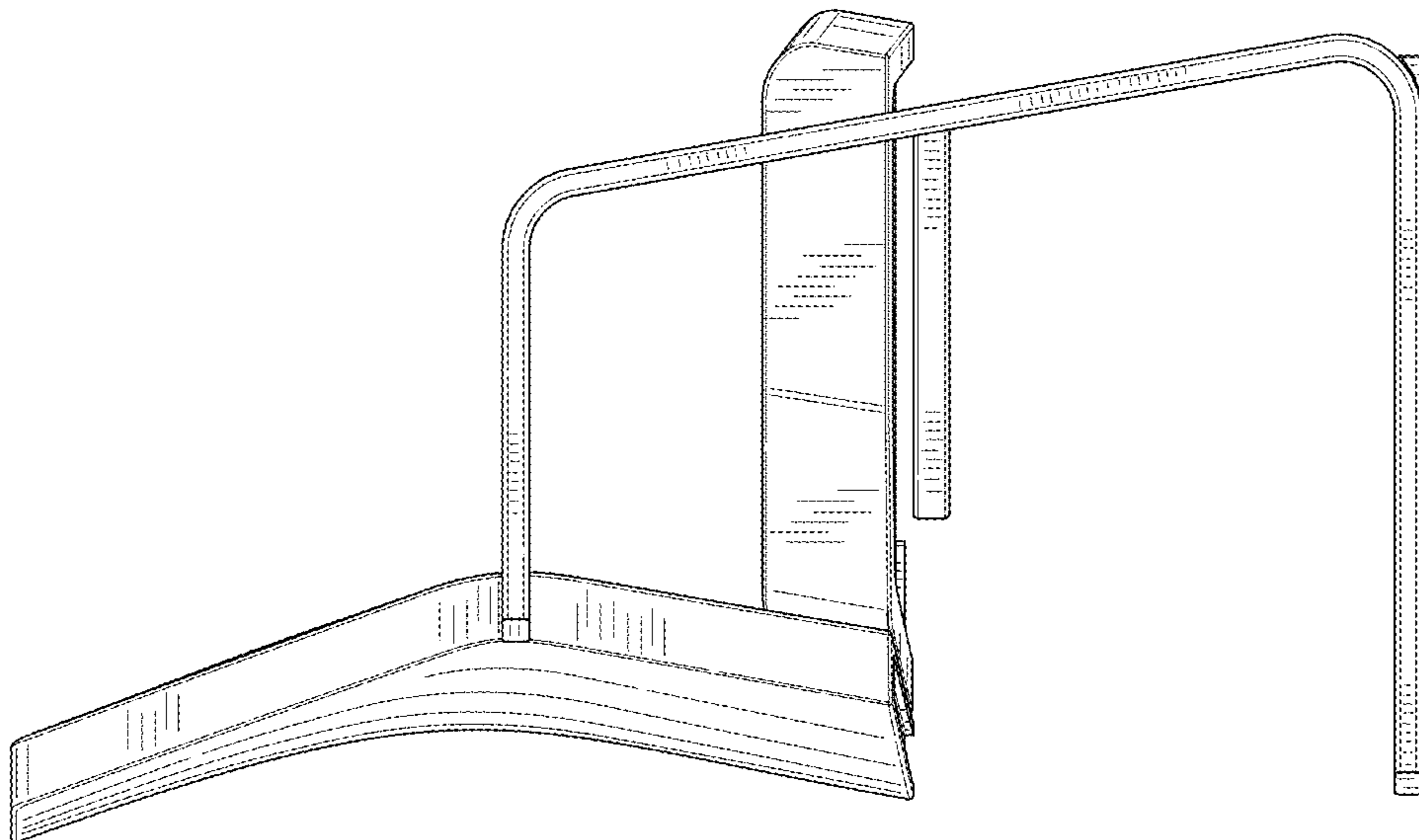
**FIG. 1**



**FIG. 2**

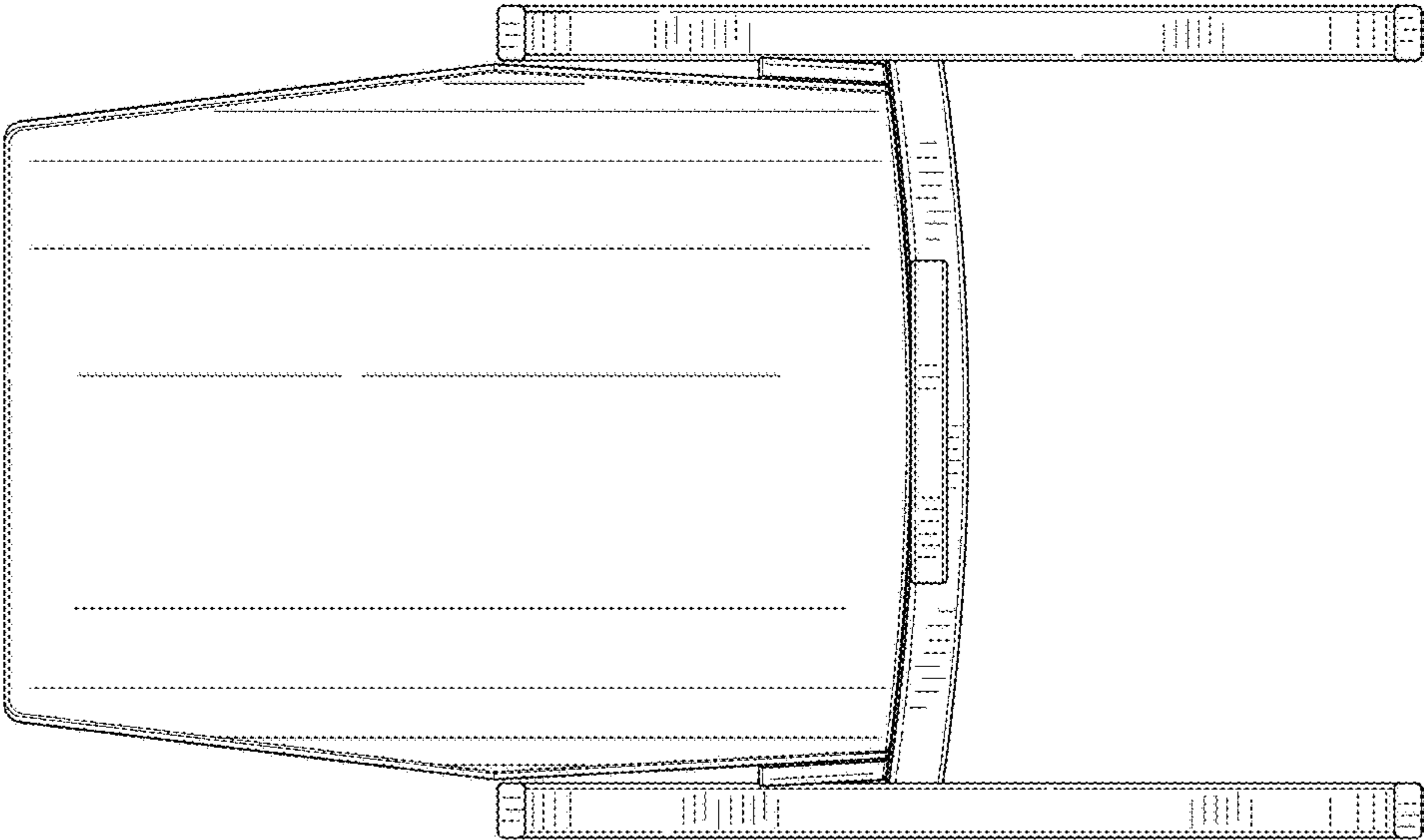


**FIG. 4**

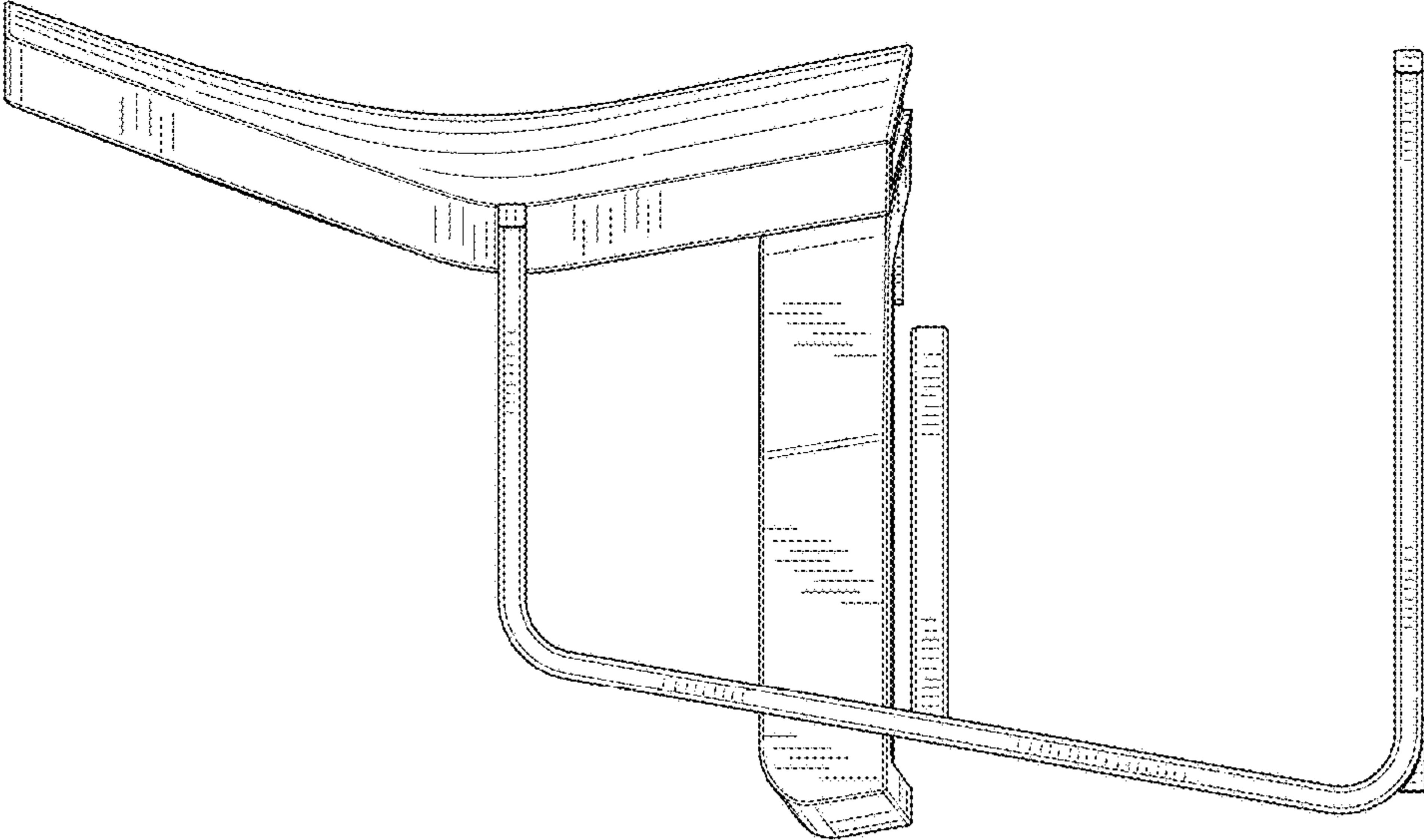


**FIG. 3**

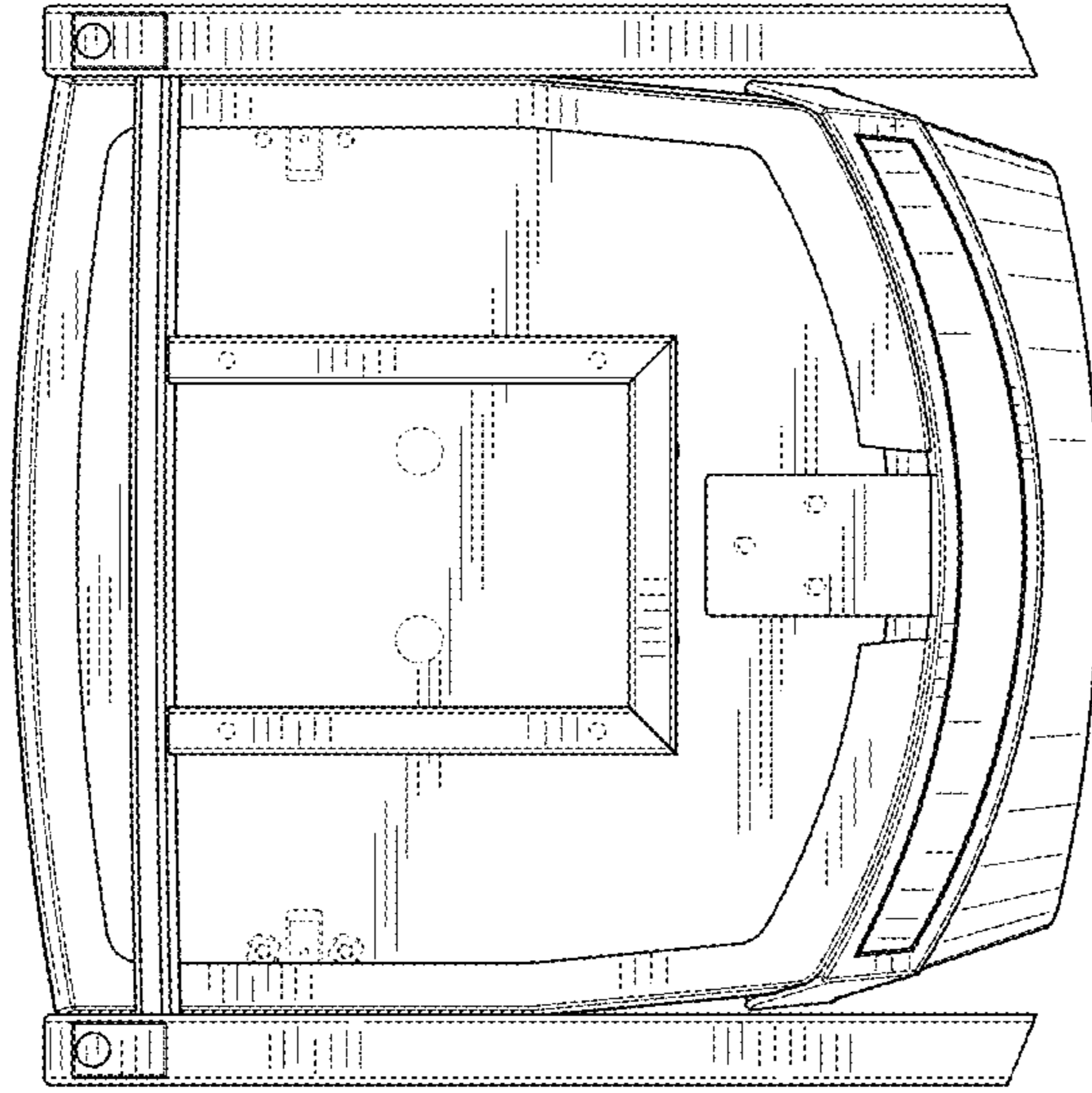




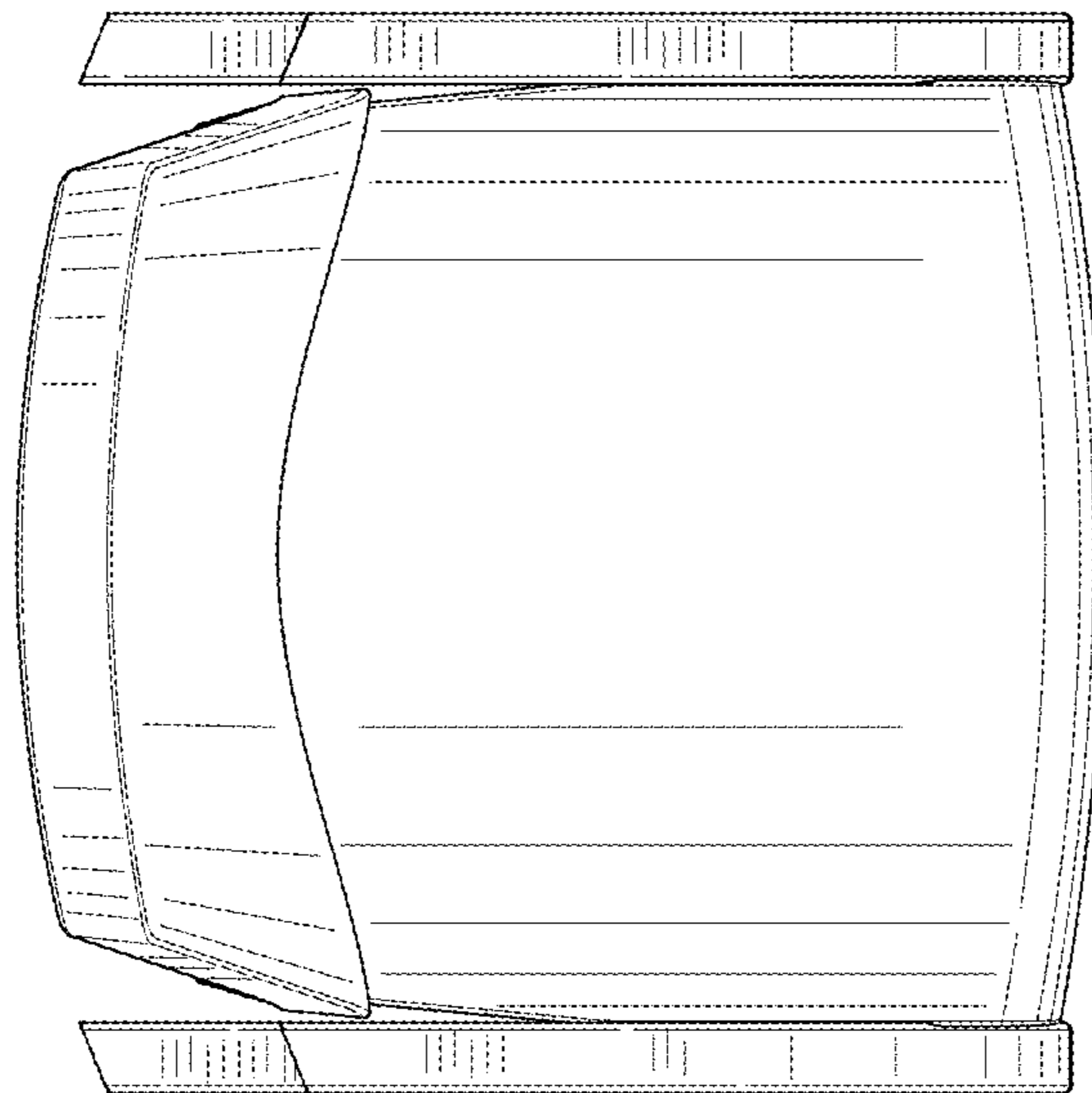
**FIG. 6**



**FIG. 5**



**FIG. 8**



**FIG. 7**