



US00D803595S

(12) **United States Design Patent**
Holland

(10) **Patent No.:** **US D803,595 S**

(45) **Date of Patent:** **** Nov. 28, 2017**

(54) **CHAIR**

(71) Applicant: **Eric D. Holland**, Wimberley, TX (US)

(72) Inventor: **Eric D. Holland**, Wimberley, TX (US)

(**) Term: **15 Years**

(21) Appl. No.: **29/581,854**

(22) Filed: **Oct. 22, 2016**

(51) **LOC (10) Cl.** **06-01**

(52) **U.S. Cl.**
USPC **D6/368**

(58) **Field of Classification Search**

USPC D6/334, 335, 336, 368, 374, 375, 716,
D6/716.1, 716.4

CPC A47C 4/02; A47C 4/03; A47C 4/04; A47C
4/08; A47C 4/021; A47C 4/024; A47C
4/25; A47C 4/27

See application file for complete search history.

(56) **References Cited**

U.S. PATENT DOCUMENTS

1,949,951 A * 3/1934 Bozarth A47C 4/025
297/31

D365,938 S * 1/1996 Gilborn D6/335

5,588,709 A * 12/1996 Lewallen, Sr. A47C 4/021
297/440.19

D400,723 S * 11/1998 Bergeson D6/368

D457,740 S * 5/2002 Rosa D6/368

D712,673 S * 9/2014 Block D6/368

* cited by examiner

Primary Examiner — Mimosa De

(74) *Attorney, Agent, or Firm* — Mark E. Scott;
Dickinson Wright PLLC

(57) **CLAIM**

The ornamental design for a chair, as shown and described.

DESCRIPTION

FIG. 1 is a perspective view of a chair showing my new design;

FIG. 2 is a front view thereof;

FIG. 3 is a back view thereof;

FIG. 4 is a first side view thereof;

FIG. 5 is a second side view thereof;

FIG. 6 is a top view thereof;

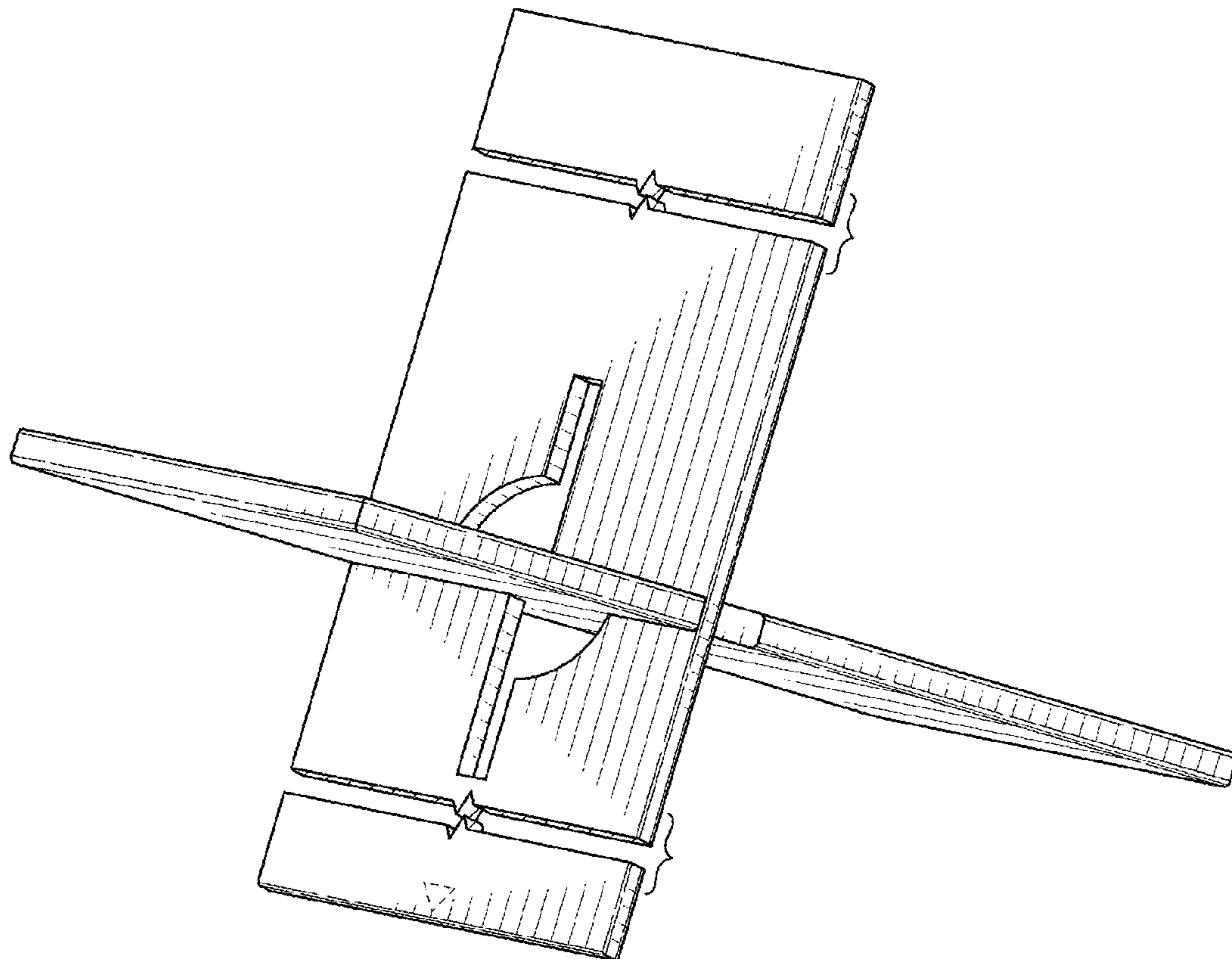
FIG. 7 is a bottom view thereof; and,

FIG. 8 is perspective view showing the chair in an example environment.

The portions of the drawings shown dashed lines form no part of the claimed subject matter.

The broken away symbols in the drawings indicate the appearance of any portion of the article between the break lines forms no part of the claimed design.

1 Claim, 6 Drawing Sheets



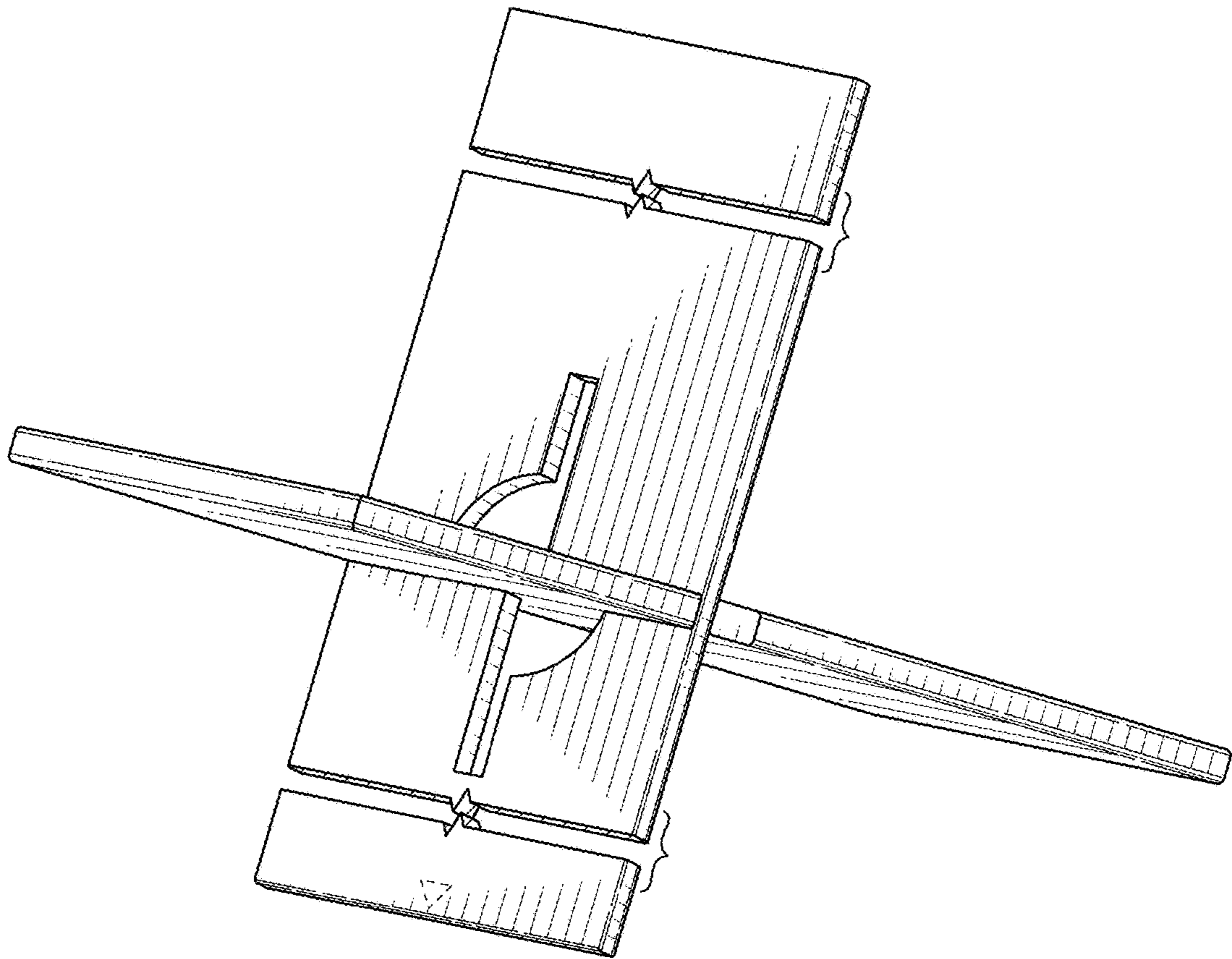


FIG. 1

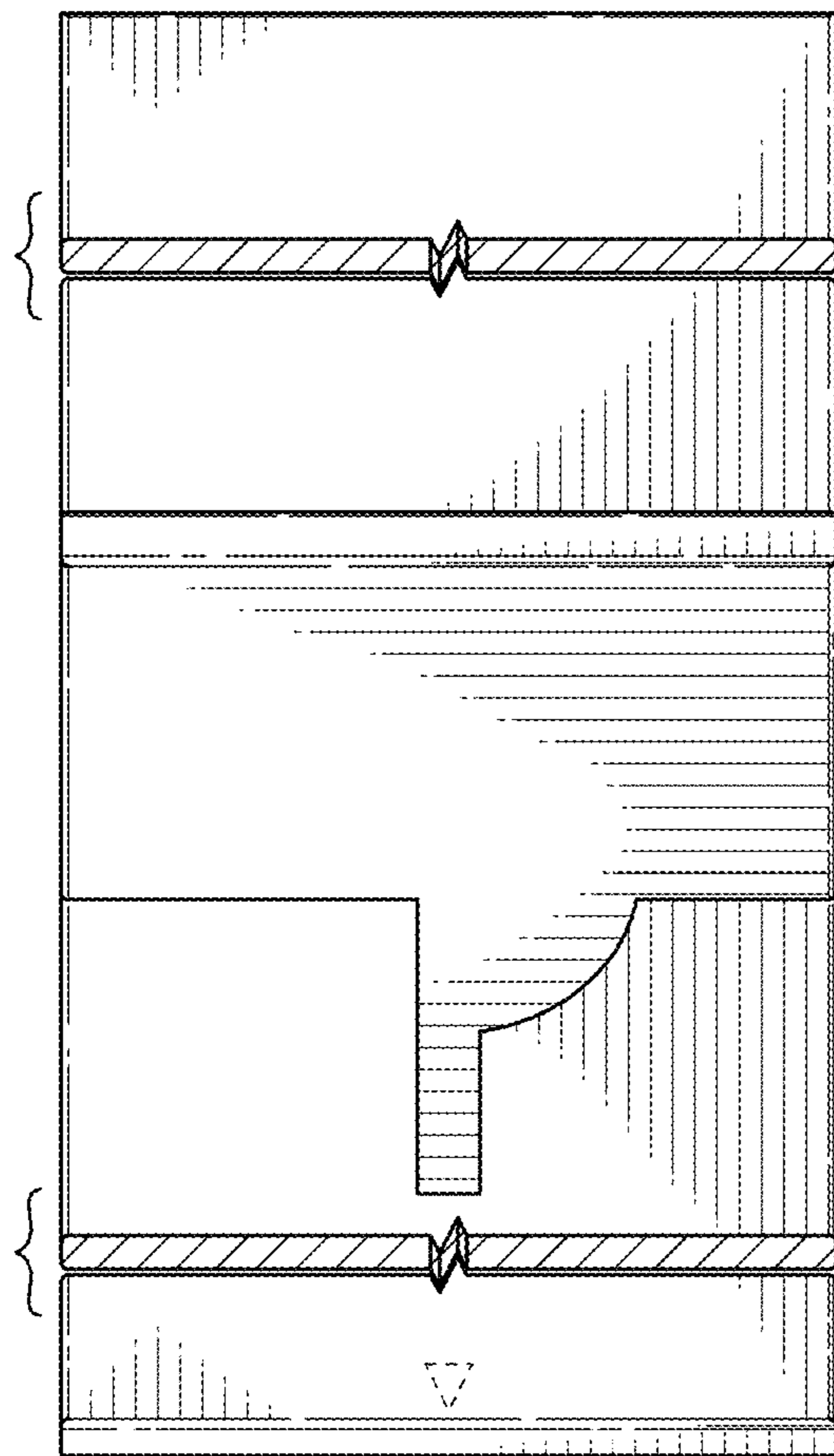


FIG. 2

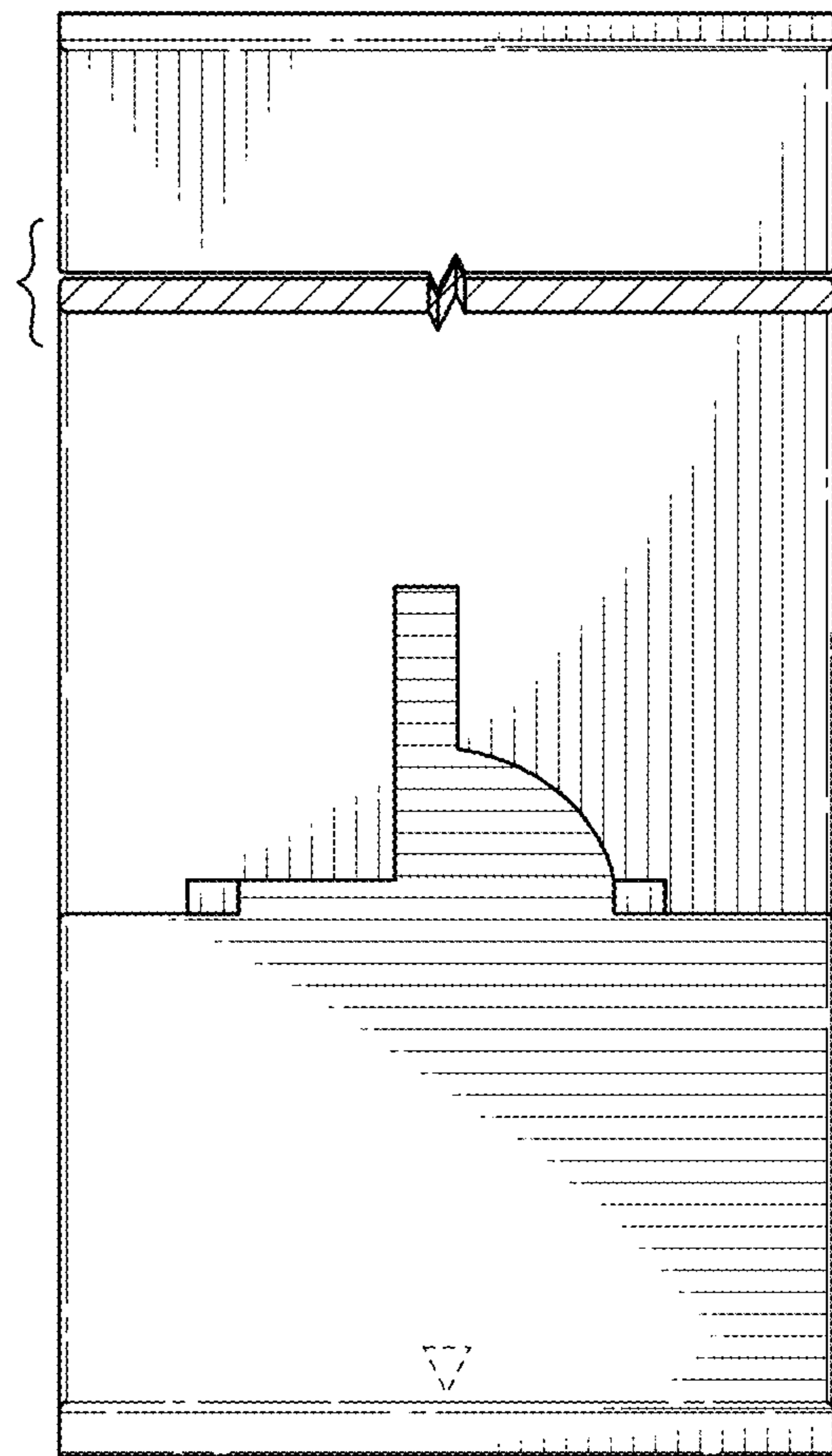


FIG. 3

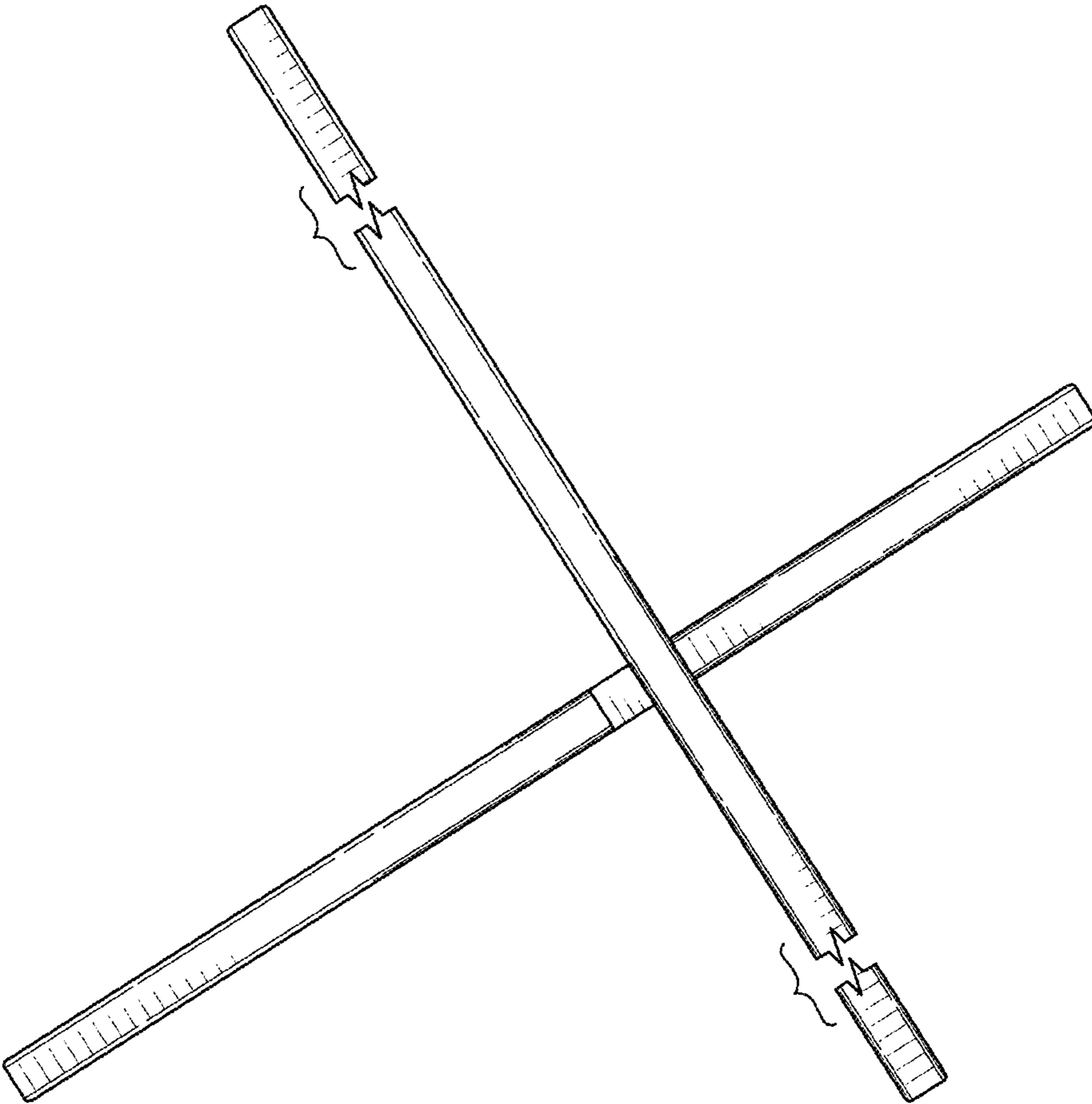


FIG. 4

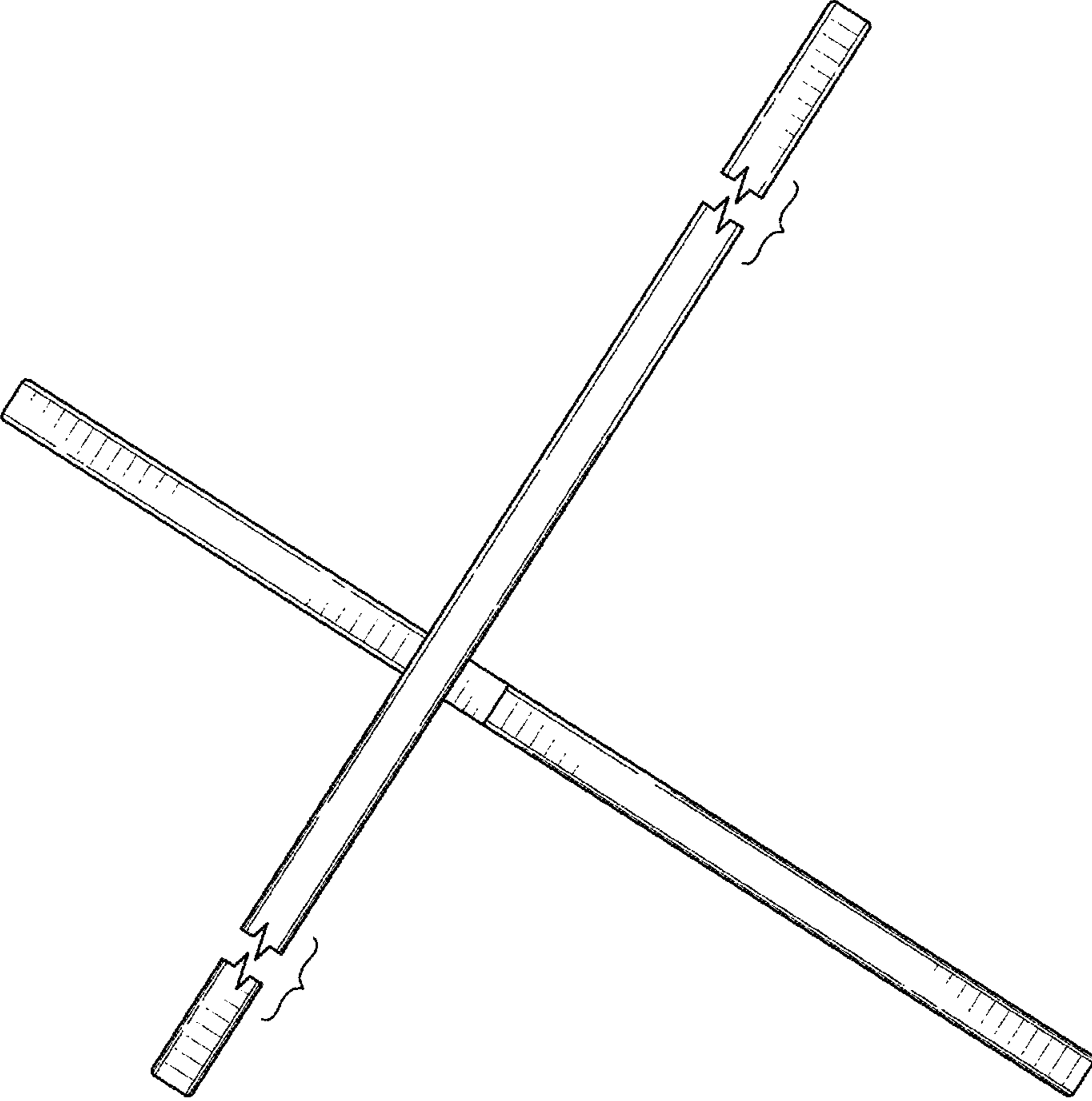


FIG. 5

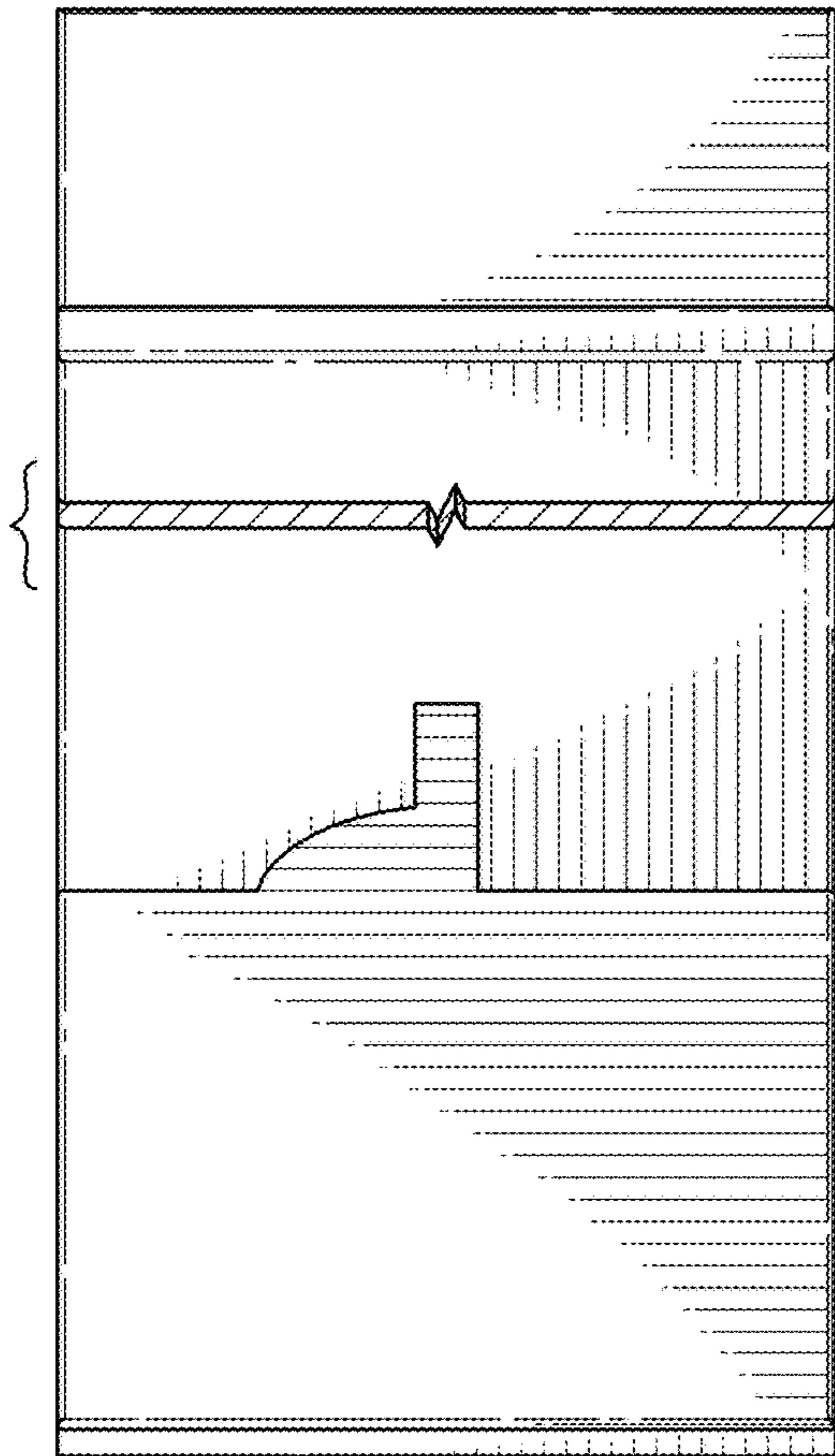


FIG. 6

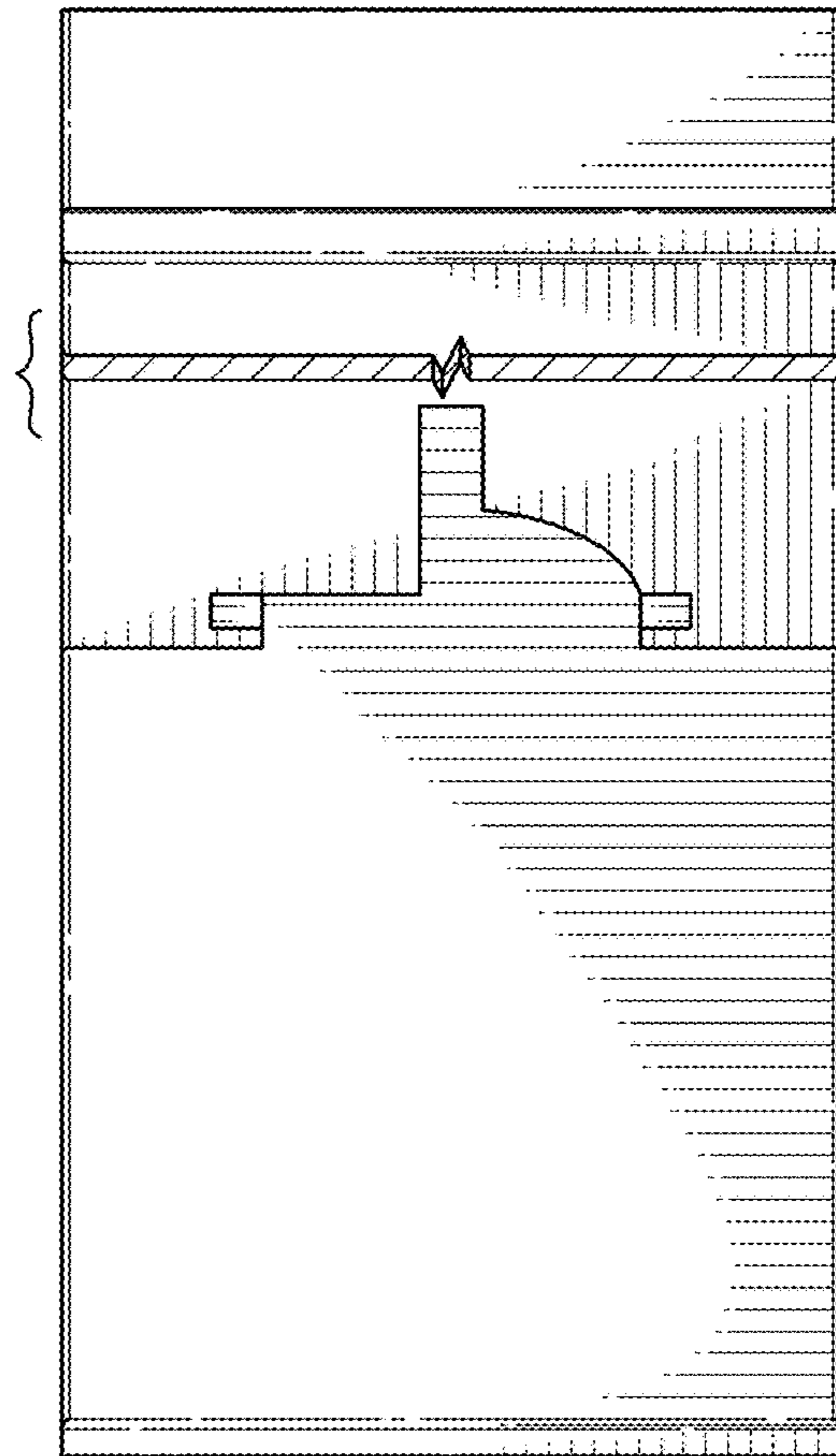


FIG. 7

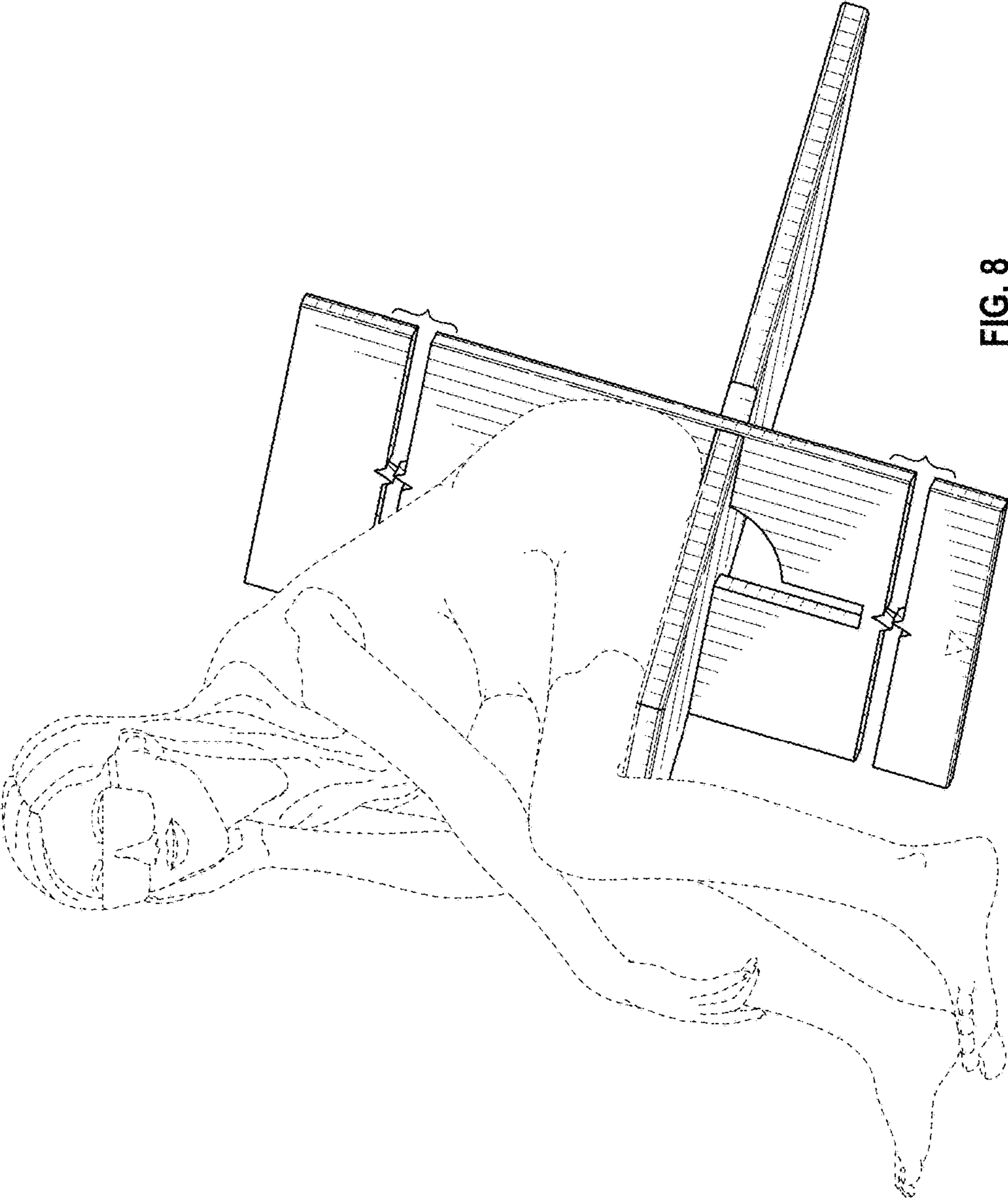


FIG. 8