



US00D803593S

(12) **United States Design Patent**
Duarte et al.

(10) **Patent No.:** **US D803,593 S**

(45) **Date of Patent:** **** Nov. 28, 2017**

(54) **WORK STOOL**

(71) Applicant: **DELK, INC.**, Nashville, TN (US)

(72) Inventors: **Eugenio Jose Duarte**, Mount Juliet, TN (US); **Luke William Michas**, Nashville, TN (US); **James Matthew Finney**, Nashville, TN (US)

(73) Assignee: **Delk, Inc.**, Nashville, TN (US)

(**) Term: **15 Years**

(21) Appl. No.: **29/588,030**

(22) Filed: **Dec. 16, 2016**

(51) **LOC (10) Cl.** **06-01**

(52) **U.S. Cl.**

USPC **D6/349**; D6/336

(58) **Field of Classification Search**

USPC D6/334-336, 349-355, 358, 360-368, D6/371-374, 403, 405, 406.3, 601, 604, D6/657, 675.4, 684, 685, 688.17, 690, D6/691-691.9, 692-692.6, 693-693.3, D6/695, 707.2, 708, 708.2, D6/708.15-708.25, 709.11, 716-716.3; D25/62-65; D34/17, 19, 23
CPC A47C 9/02; A47C 9/007; A47C 9/027; A47C 7/002; A47C 7/18; A47C 16/02; A47C 16/04; A47C 3/18; A47C 3/203; A47C 12/00; A47C 13/00; A47B 7/00; A47B 7/02; A47B 9/00; A47B 13/02; A47B 23/00; A47B 39/00

See application file for complete search history.

(56) **References Cited**

U.S. PATENT DOCUMENTS

D298,674 S * 11/1988 Koller, Sr. D34/23
4,832,355 A * 5/1989 Hung B25H 1/12
182/33
D303,309 S * 9/1989 Pulda, Jr. D34/17
D399,626 S * 10/1998 Taylor D34/23

D401,426 S * 11/1998 Hu D6/349
5,967,544 A * 10/1999 Kanta A47C 9/027
280/47.24
6,010,187 A * 1/2000 Dallas A47C 7/62
108/94
D466,668 S * 12/2002 Peschmann D34/23
D511,416 S * 11/2005 Obbitts D34/23
D530,108 S * 10/2006 Whiteside D6/349
D555,920 S * 11/2007 Whiteside D6/349
D579,679 S * 11/2008 Qian D6/349
D586,132 S * 2/2009 Liuhong D6/335

(Continued)

OTHER PUBLICATIONS

Foldable Mechanics Z Creeper Seatts. [online] Published on Sep. 13, 2016. Retrieved Sep. 6, 2017 from URL: <http://www.costway.com/40-2-in-1-foldable-mechanics-z-creeper-seat-rolling-chair-garage-work-stool.html>.*

(Continued)

Primary Examiner — Vy N Koenig

(74) *Attorney, Agent, or Firm* — Hankin Patent Law, APC; Kevin Schraven

(57)

CLAIM

The ornamental design for a work stool, as shown and described.

DESCRIPTION

FIG. 1 is a top perspective view of the work stool showing our new design.

FIG. 2 is a front elevational view thereof.

FIG. 3 is a rear elevational view thereof

FIG. 4 is a left side elevational view thereof.

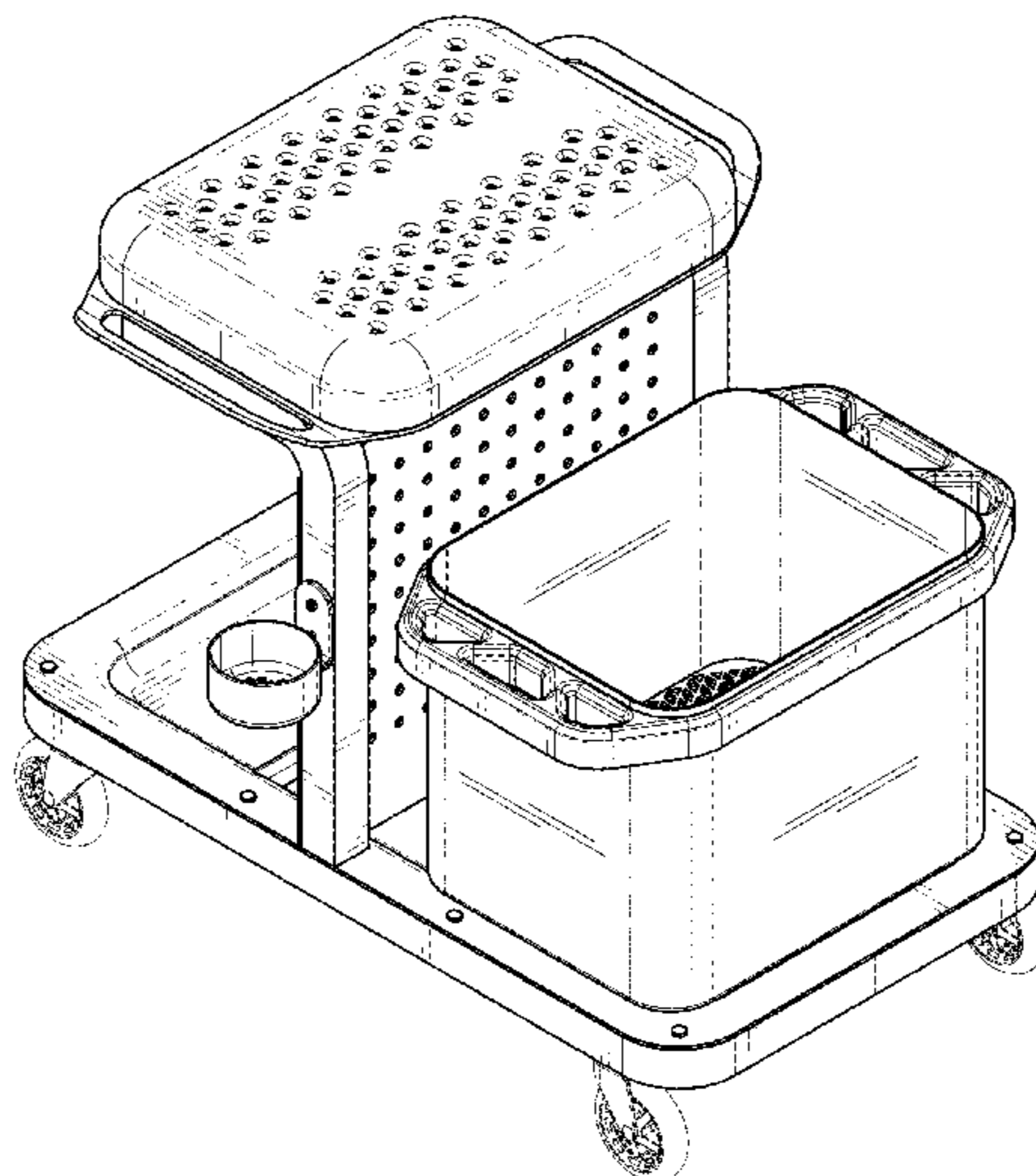
FIG. 5 is a right side elevational view thereof.

FIG. 6 is a top plan view thereof; and,

FIG. 7 is a bottom plan view thereof.

The broken lines showing castors are for the purpose of illustrating environmental structure and unclaimed subject matter and form no part of the claimed design.

1 Claim, 7 Drawing Sheets



(56)

References Cited

U.S. PATENT DOCUMENTS

7,658,442 B1 * 2/2010 Whiteside A47C 7/62
297/188.01
D625,526 S * 10/2010 Lihong D6/335
D734,586 S * 7/2015 Thibault B44D 3/126
D34/14
2002/0121801 A1 * 9/2002 Whiteside A47C 7/62
297/188.08
2012/0038122 A1 * 2/2012 Canova A47C 3/36
280/32.6
2017/0099954 A1 * 4/2017 Chao A47C 9/027

OTHER PUBLICATIONS

Craftsman Mechanic's Creeper Seat. [online] Published on Feb. 16, 2017. Retrieved Sep. 6, 2017 from URL: <http://www.sears.com/craftsman-mechanic-s-creeper-seat/p-00934521000P>.*

WEN 250-Pound Capacity Rolling Mechanic Seat. [online] Published on Jun. 9, 2017. Retrieved Sep. 6, 2017 from URL: <http://www.sears.com/wen-250-pound-capacity-rolling-mechanic-seat-with/p-00910329000P?rrec=true>.*

Mechanic's Roller Shop Stool. [online] Published on Mar. 7, 2016. Retrieved Sep. 6, 2017 from URL: <https://www.oreillyauto.com/detail/acdelco-2734/tools---equipment-16488/shop-equipment-16634/shop-stools-17330/mechanic-s-roller-shop-stool/34803/2494217>.*

* cited by examiner

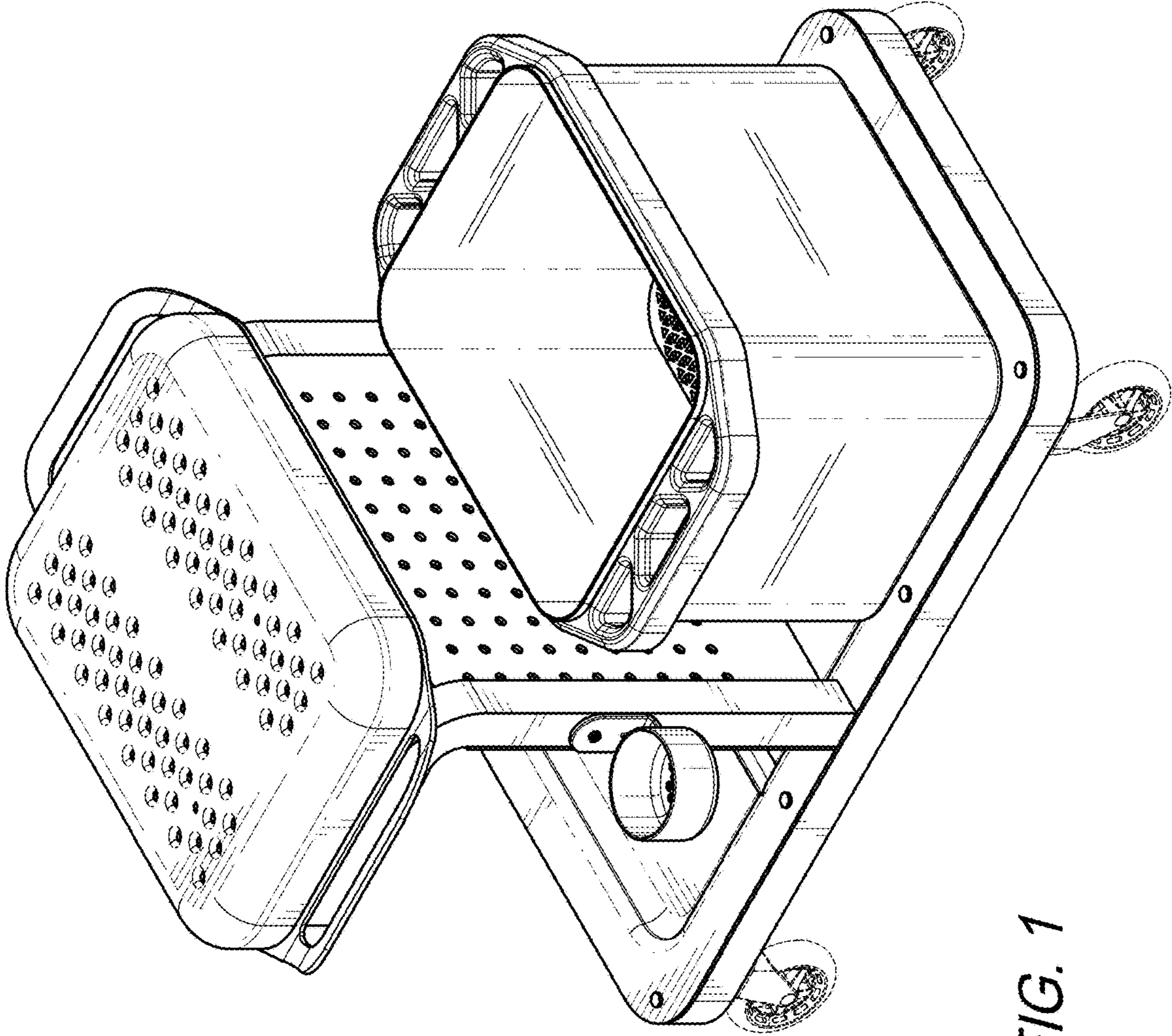


FIG. 1

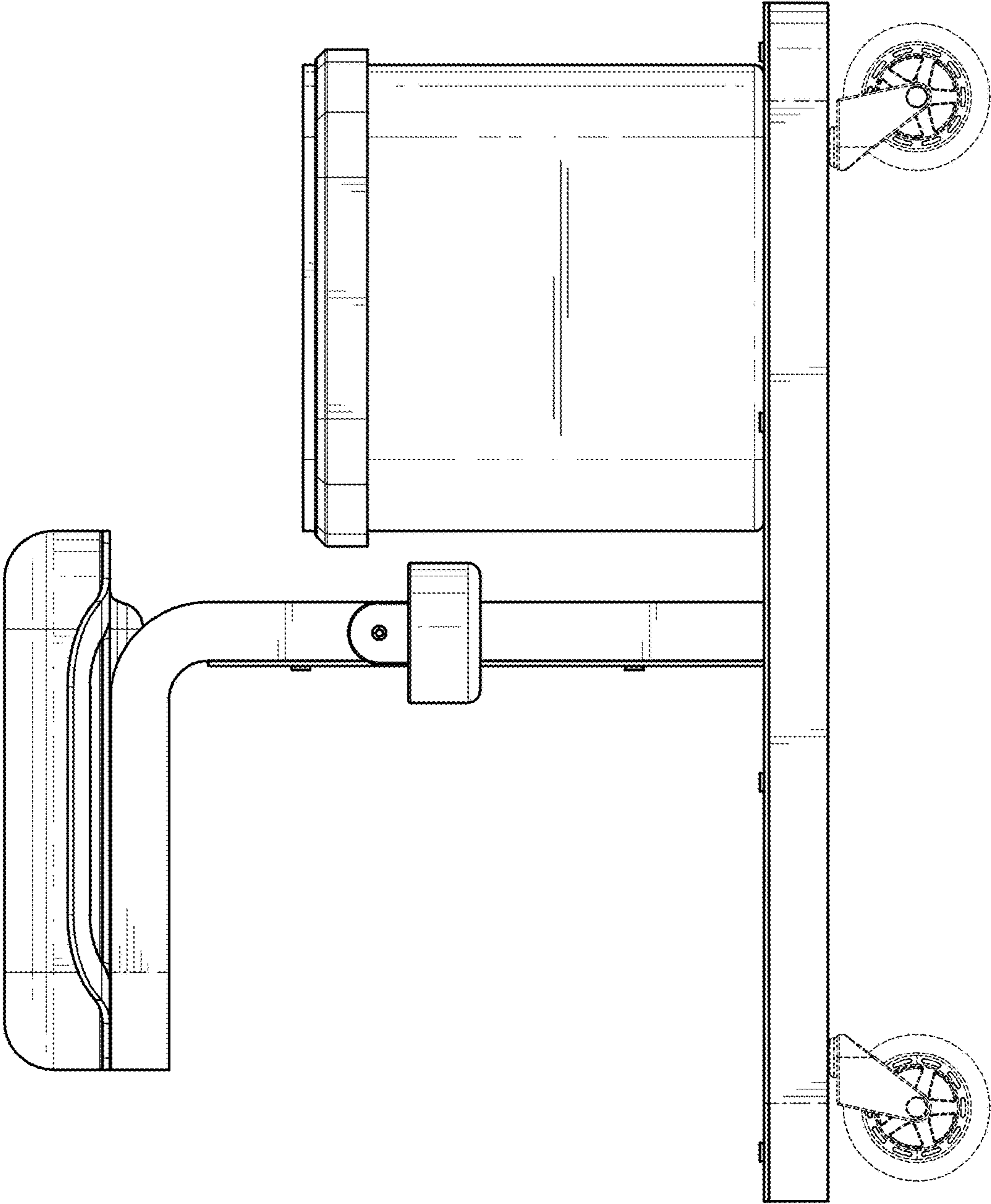


FIG. 2

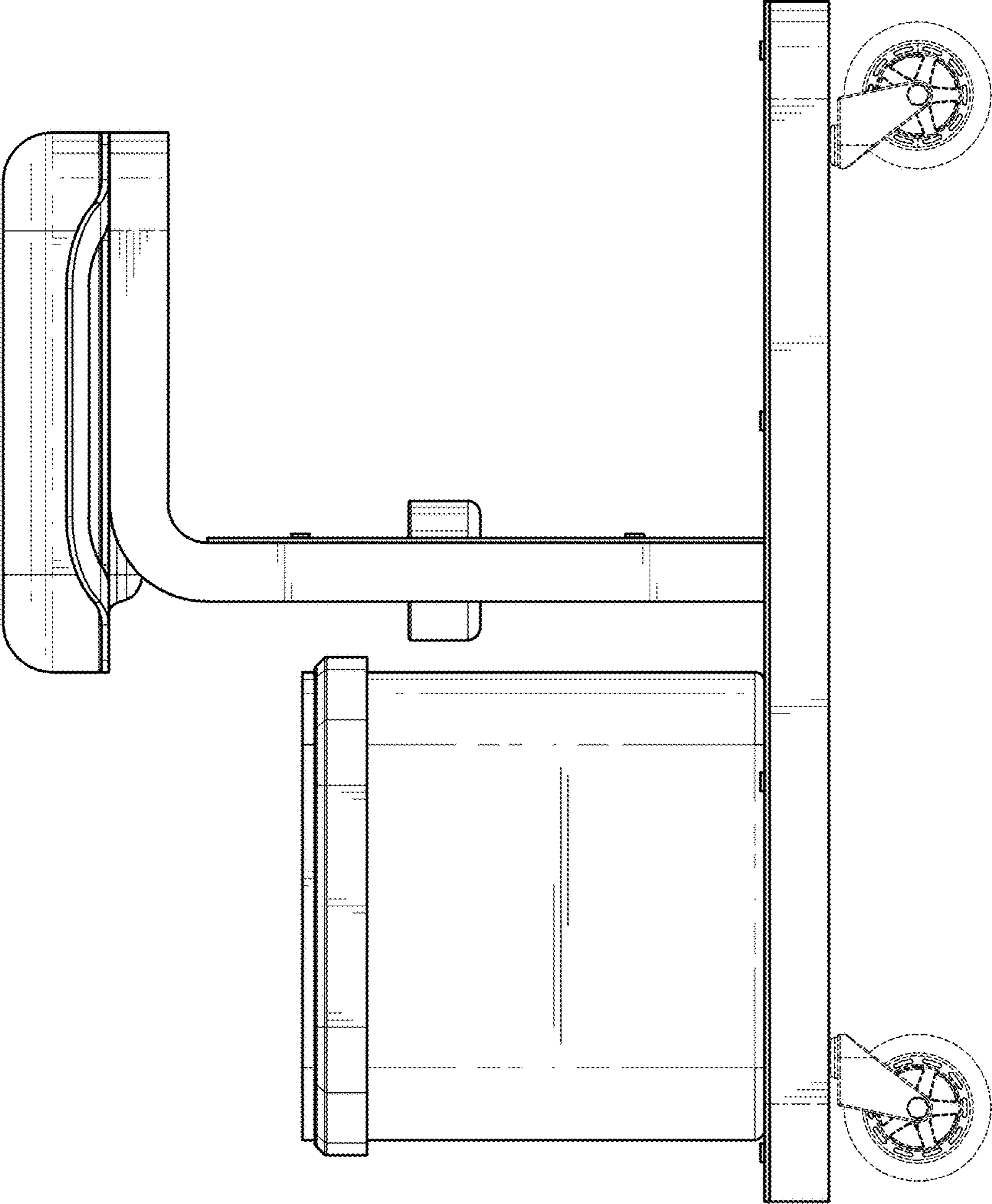


FIG. 3

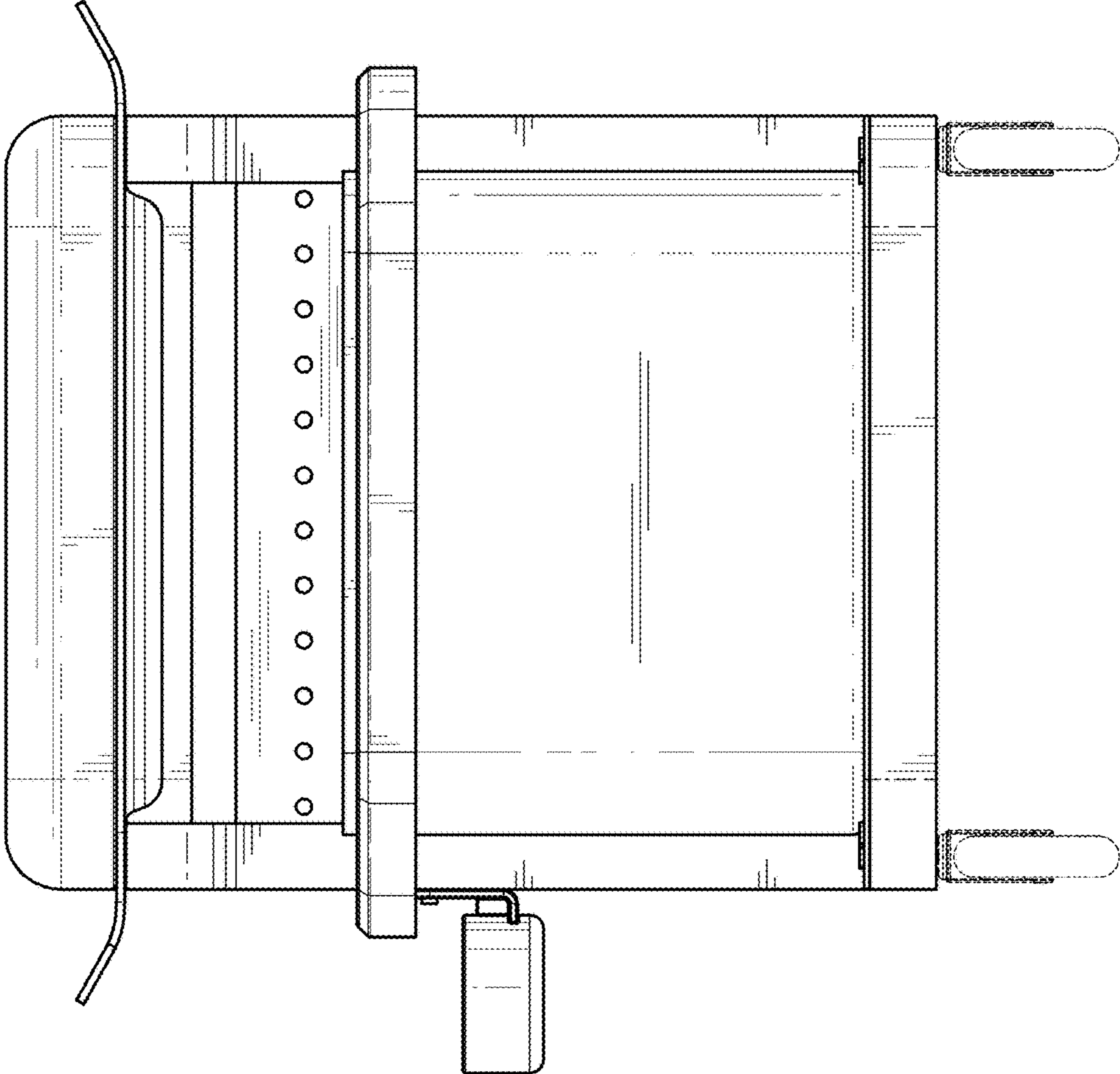


FIG. 4

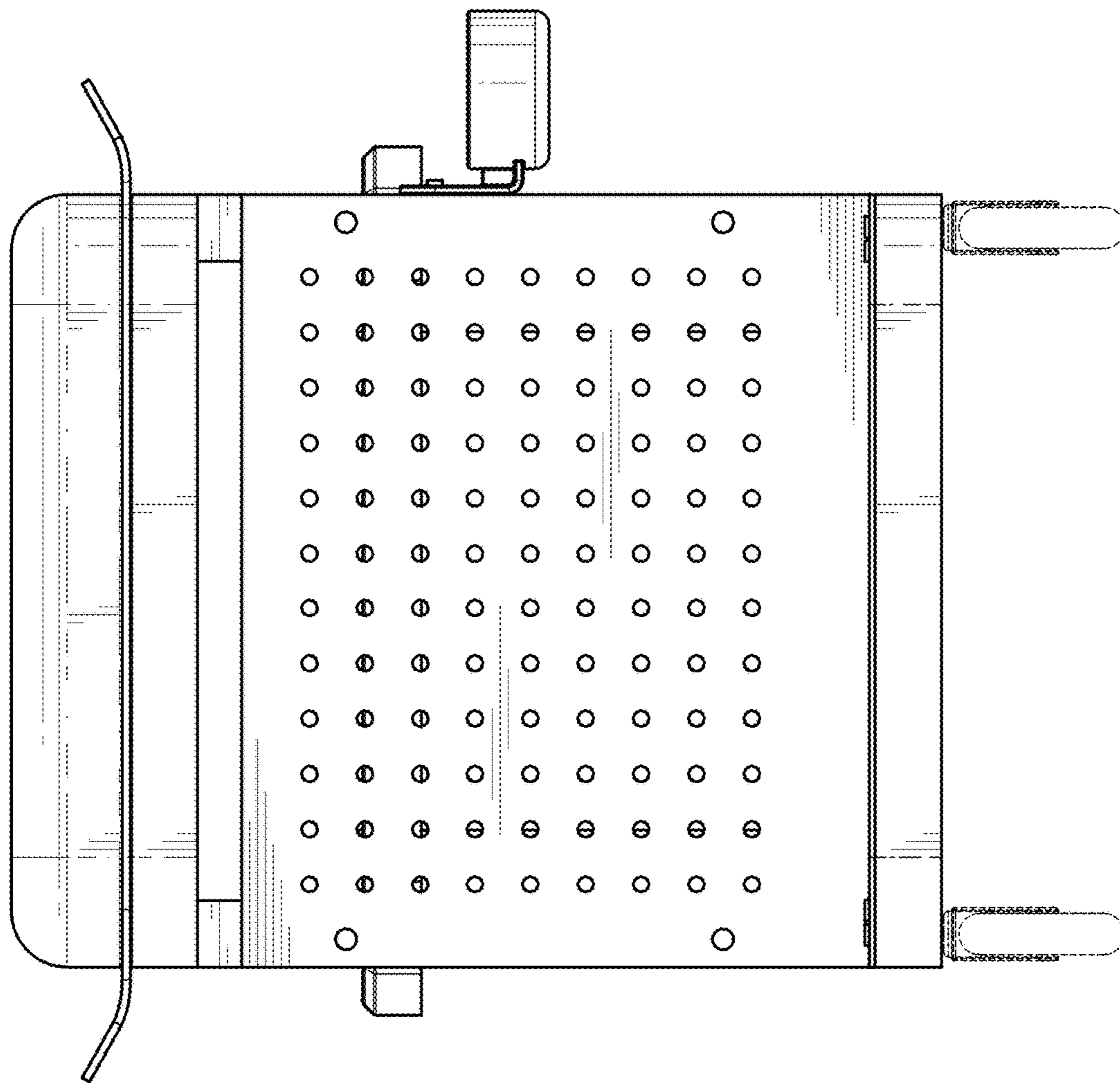


FIG. 5

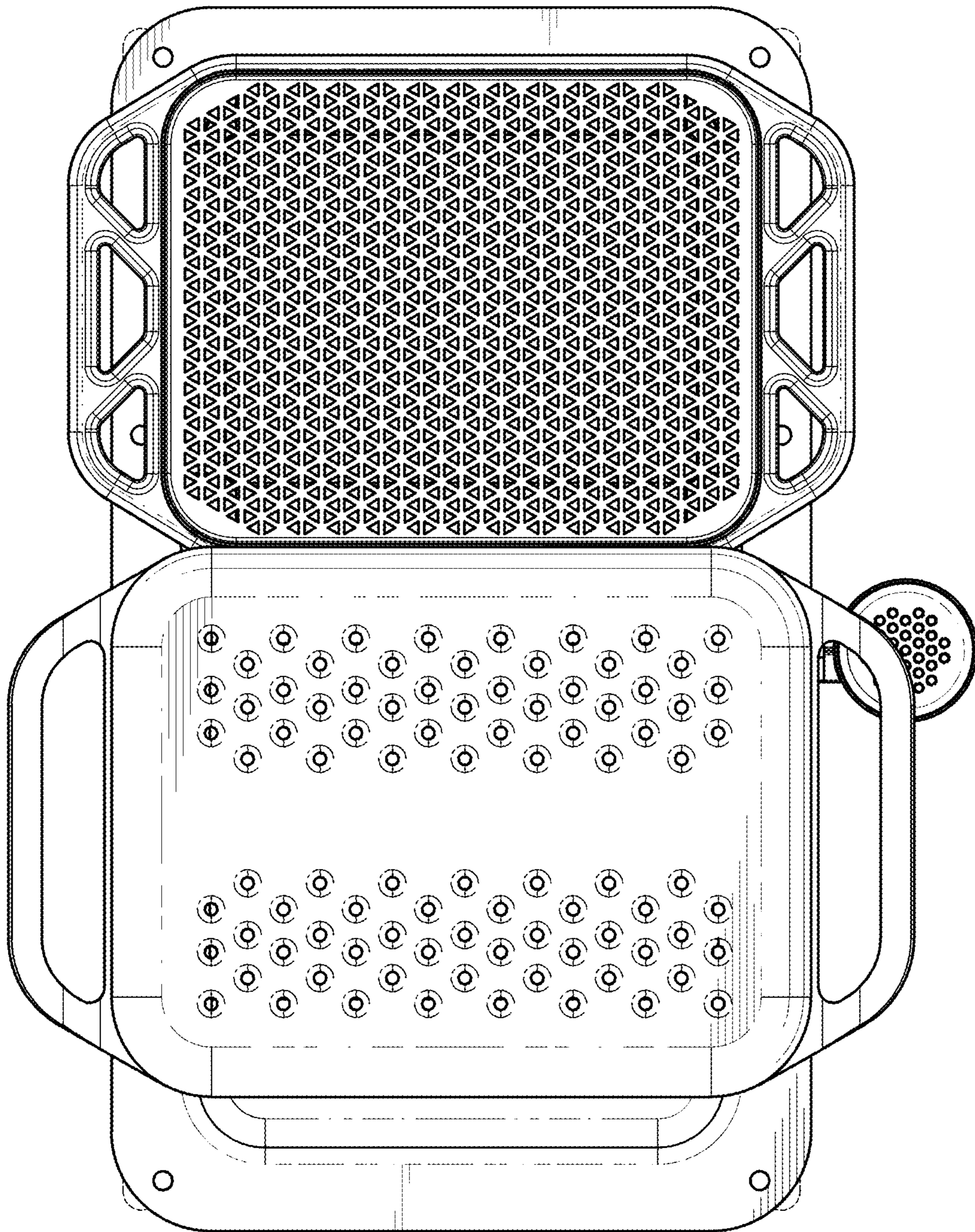


FIG. 6

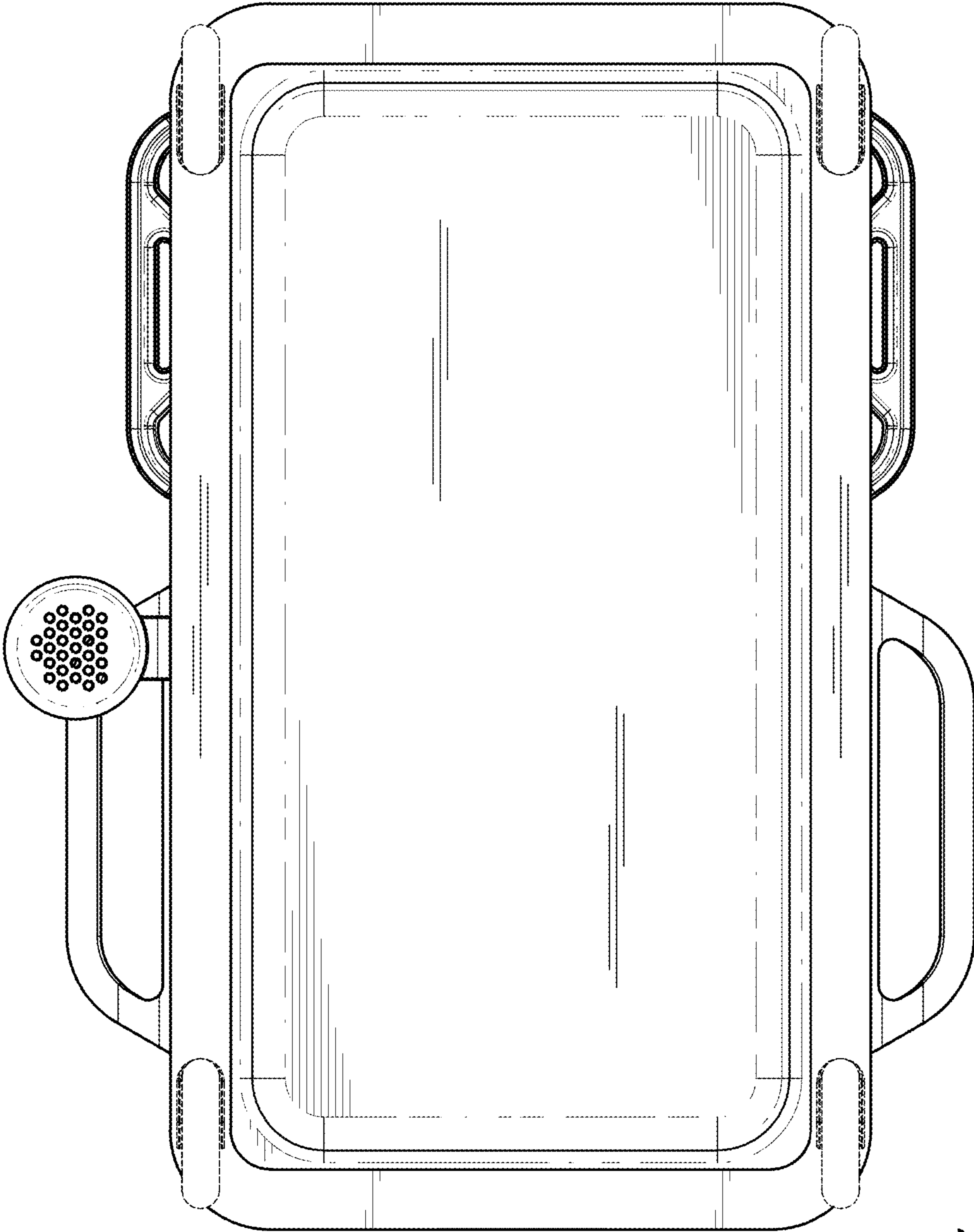


FIG. 7