



US00D803592S

(12) **United States Design Patent** (10) **Patent No.:** **US D803,592 S**
Lenz et al. (45) **Date of Patent:** **** Nov. 28, 2017**

(54) **SEAT**
(71) Applicant: **ongo GmbH**, Stuttgart (DE)
(72) Inventors: **Eberhard Lenz**, Stuttgart (DE); **Stefan Lippert**, Stuttgart (DE); **Thorsten Wickert**, Stuttgart (DE)
(73) Assignee: **ONGO GMBH**, Stuttgart (DE)
(**) Term: **15 Years**
(21) Appl. No.: **29/577,361**
(22) Filed: **Sep. 12, 2016**

D458,765 S * 6/2002 Barbieri D6/349
D523,251 S * 6/2006 Parpala D6/352
D581,705 S * 12/2008 Li D6/692.3
D595,969 S * 7/2009 Hanusiak D6/349
D651,422 S * 1/2012 Unterrainer D6/349
D668,464 S * 10/2012 Du D6/353
D671,772 S * 12/2012 Lee D6/692.3
D683,975 S * 6/2013 Starck D6/349
D686,829 S * 7/2013 Elmaleh D6/352
D721,526 S * 1/2015 Bosman D6/692.3
D741,073 S * 10/2015 Keen D6/349
D745,287 S * 12/2015 Chadwick D6/352
D746,073 S * 12/2015 Elmaleh D6/349
D748,924 S * 2/2016 Walser D6/352
D764,200 S * 8/2016 Elmaleh D6/349

(30) **Foreign Application Priority Data**
Mar. 10, 2016 (EP) 003023282-0001
(51) **LOC (10) Cl.** **06-01**
(52) **U.S. Cl.**
USPC **D6/349**
(58) **Field of Classification Search**
USPC D6/349-353, 358-360, 364-367,
D6/370-371, 374, 403-405, 601,
D6/691-691.9, 692-692.6, 703.6, 703.7,
D6/705, 716.1; D25/62-65
CPC A47C 9/00-9/105; A47C 7/00-7/02; A47C
16/00-16/04; A47B 7/00-7/02; A47B
3/00; A47B 3/02; A47B 3/04; A47B 3/12
See application file for complete search history.

(56) **References Cited**
U.S. PATENT DOCUMENTS
D109,674 S * 5/1938 Ranko D6/352
D283,856 S * 5/1986 Elmaleh D6/349
D292,147 S * 10/1987 Lomedico D6/349
D313,896 S * 1/1991 Kaye D6/360
D428,721 S * 8/2000 Jenkins D6/364

OTHER PUBLICATIONS

Ongo Free GmbH. [online] Published on Mar. 18, 2017. Retrieved Jul. 6, 2017 from URL:<<http://www.ongo.eu/en/products/ongofree/>>.*

(Continued)

Primary Examiner — Vy Koenig
(74) *Attorney, Agent, or Firm* — Symbus Law Group, LLC; Clifford D. Hyra

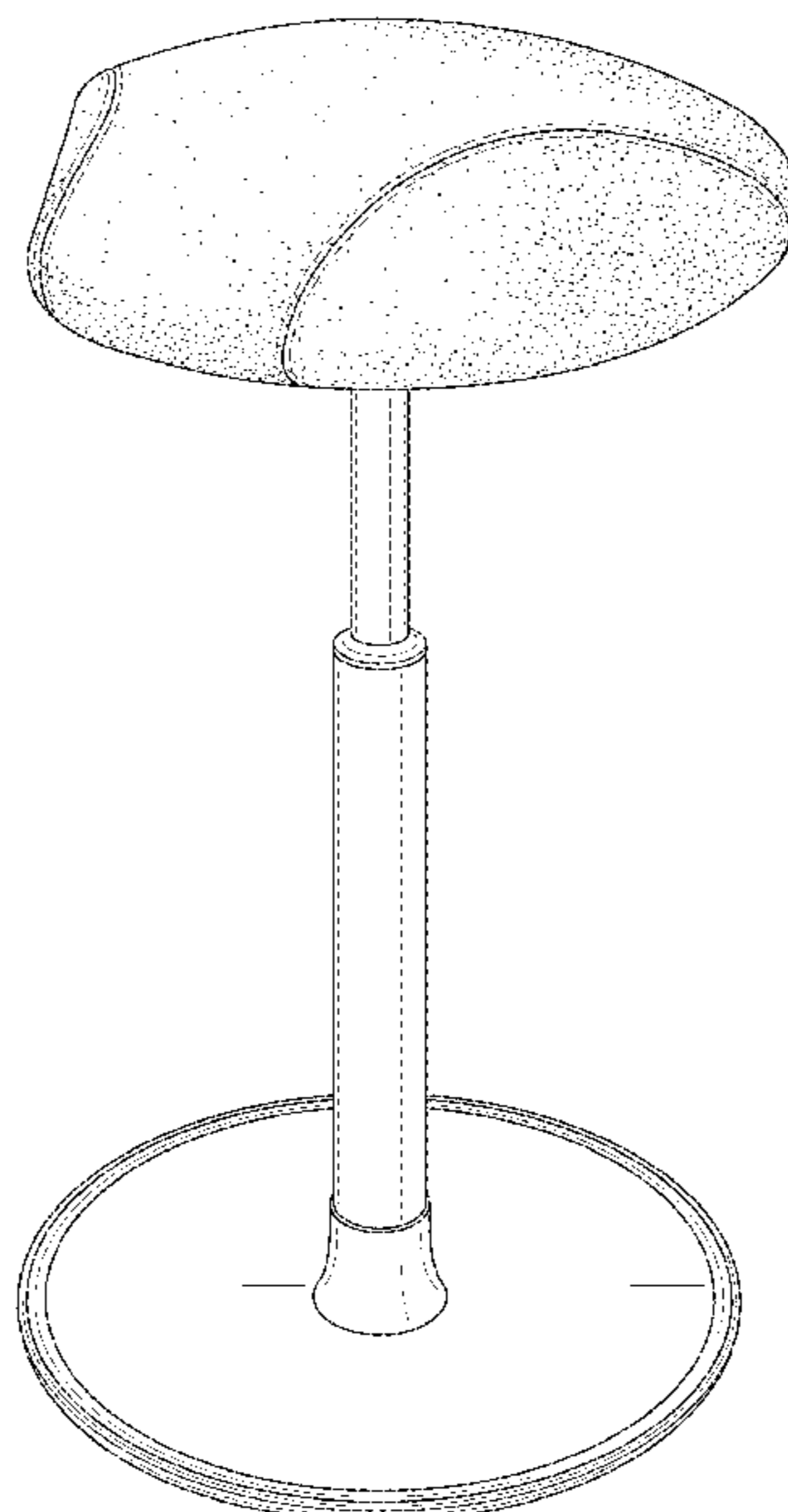
(57) **CLAIM**

The ornamental design for a seat, as shown and described.

DESCRIPTION

FIG. 1 is a perspective view of a seat, showing the front, top and right sides thereof;
FIG. 2 is a front view thereof;
FIG. 3 is a rear view thereof;
FIG. 4 is a left side view thereof;
FIG. 5 is a right side view thereof;
FIG. 6 is a top view thereof; and,
FIG. 7 is a bottom view thereof.

1 Claim, 7 Drawing Sheets



(56)

References Cited

OTHER PUBLICATIONS

Varier Move Ergonomic Stool Office Chairs USA. [online]
Retrieved Jul. 6, 2017 from URL:<[https://officechairsusa.com/
varier-move-ergonomic-stool-quickship/?gclid=
CKDI3PTS9NQCfUHWdQod_1sOdA#sthash.R4uteSsQ.dpbs](https://officechairsusa.com/varier-move-ergonomic-stool-quickship/?gclid=CKDI3PTS9NQCfUHWdQod_1sOdA#sthash.R4uteSsQ.dpbs)>.*
Kontorstol Back App 2. [online] Published on Feb. 18, 2016.
Retrieved Jul. 6, 2017 from URL:<[https://www.daa.dk/
kontorstol-back-app-20-soelvgraa-stel-roed-kugle-66405.aspx](https://www.daa.dk/kontorstol-back-app-20-soelvgraa-stel-roed-kugle-66405.aspx)>.*

* cited by examiner

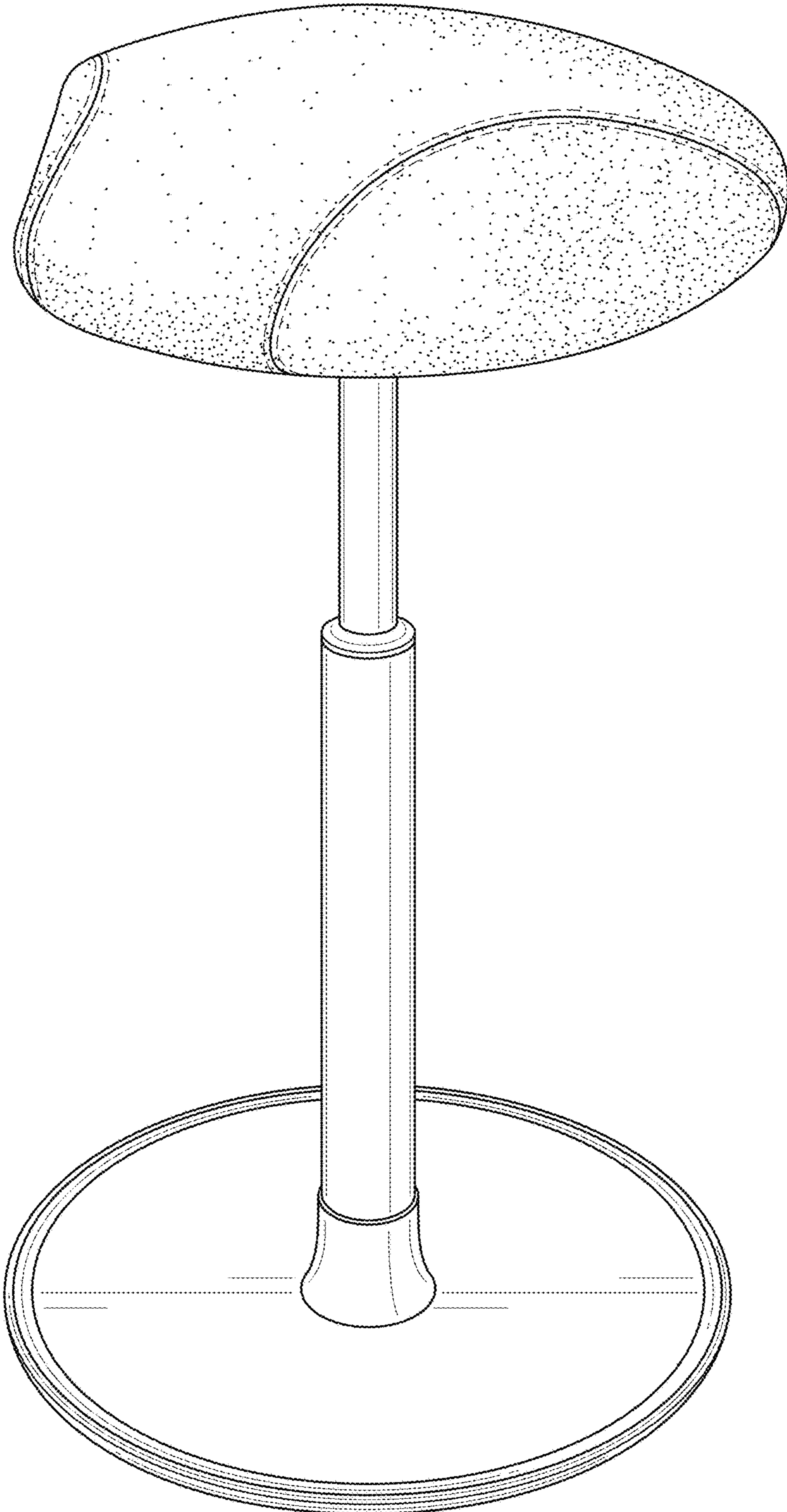


FIG. 1

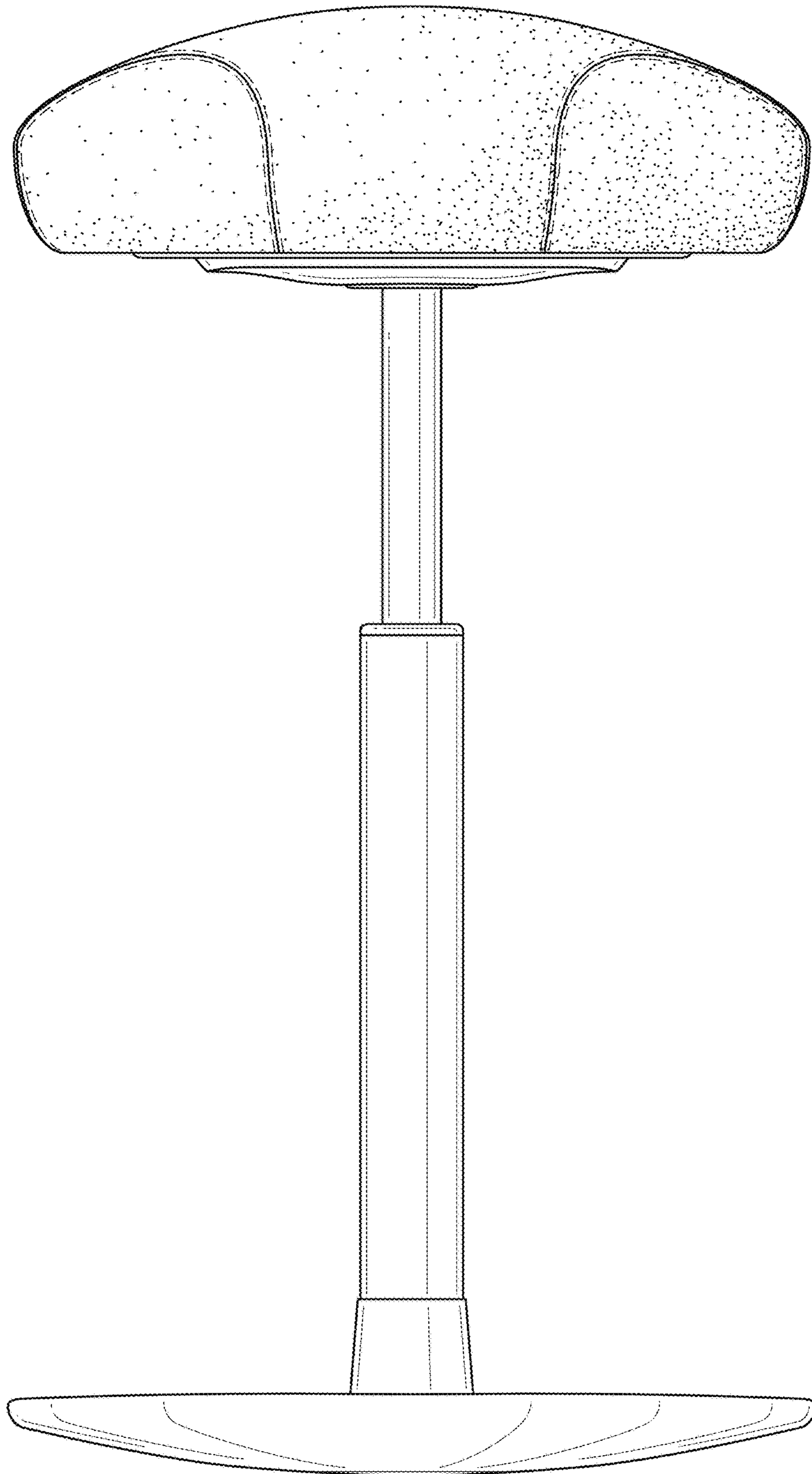


FIG. 2

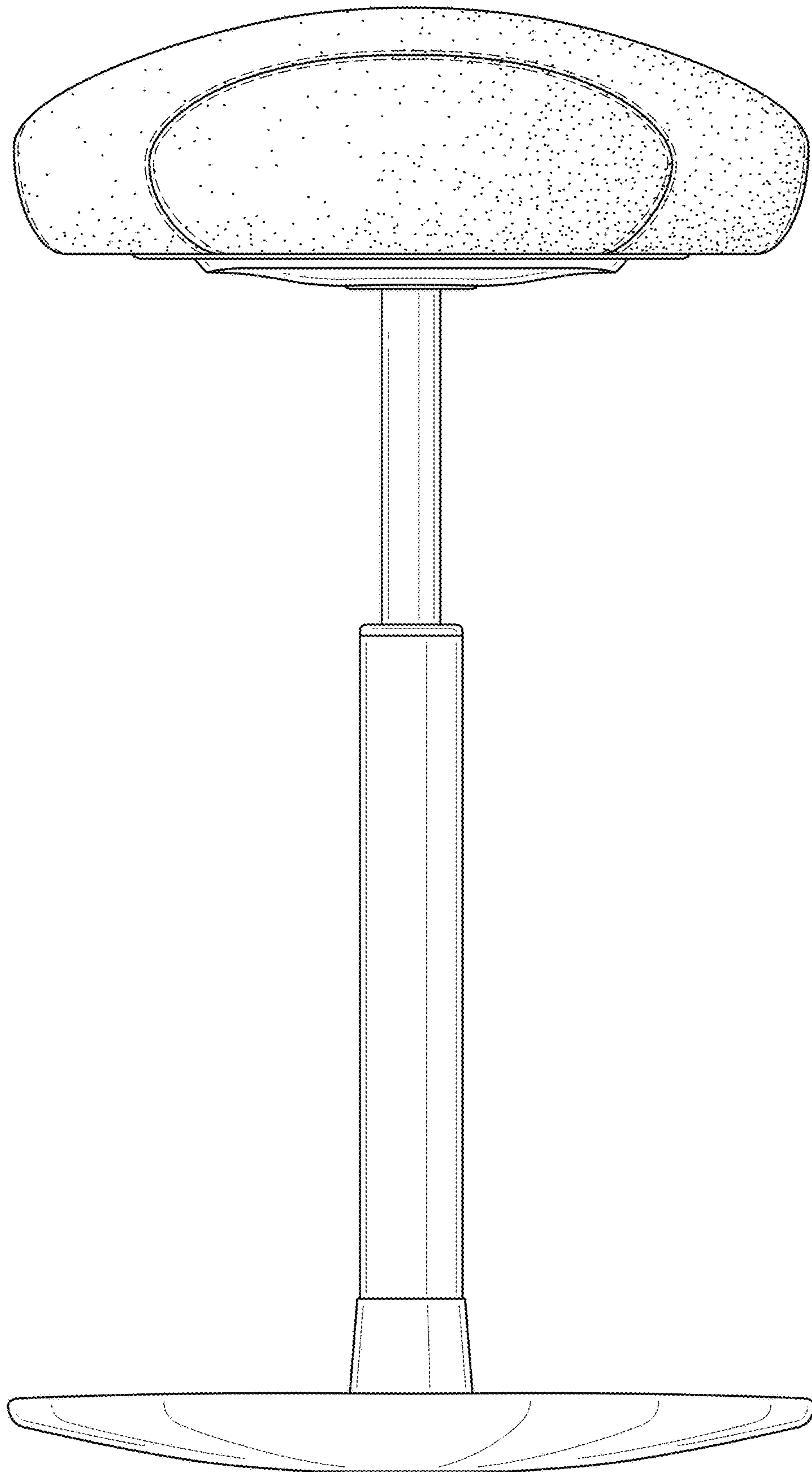


FIG. 3

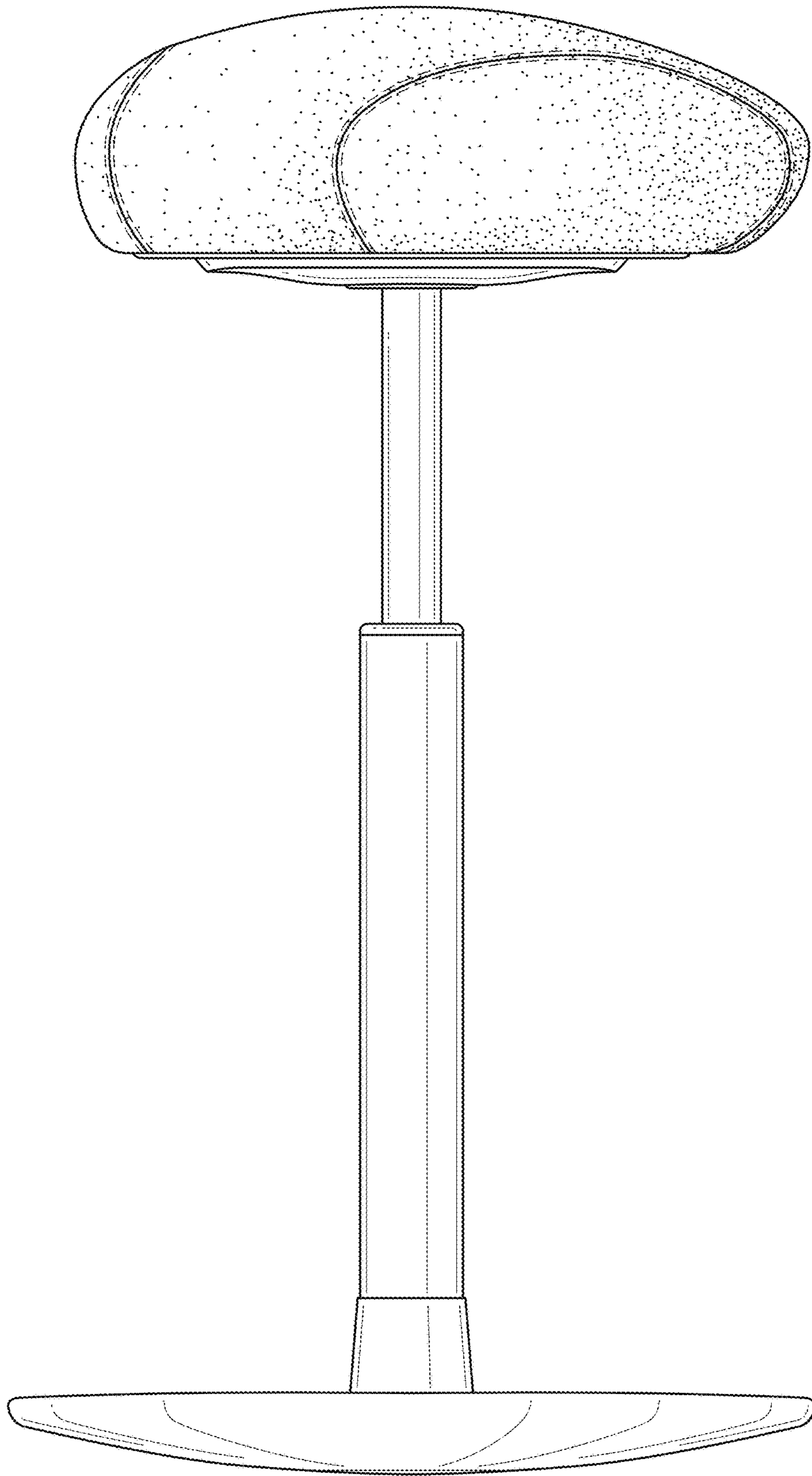


FIG. 4

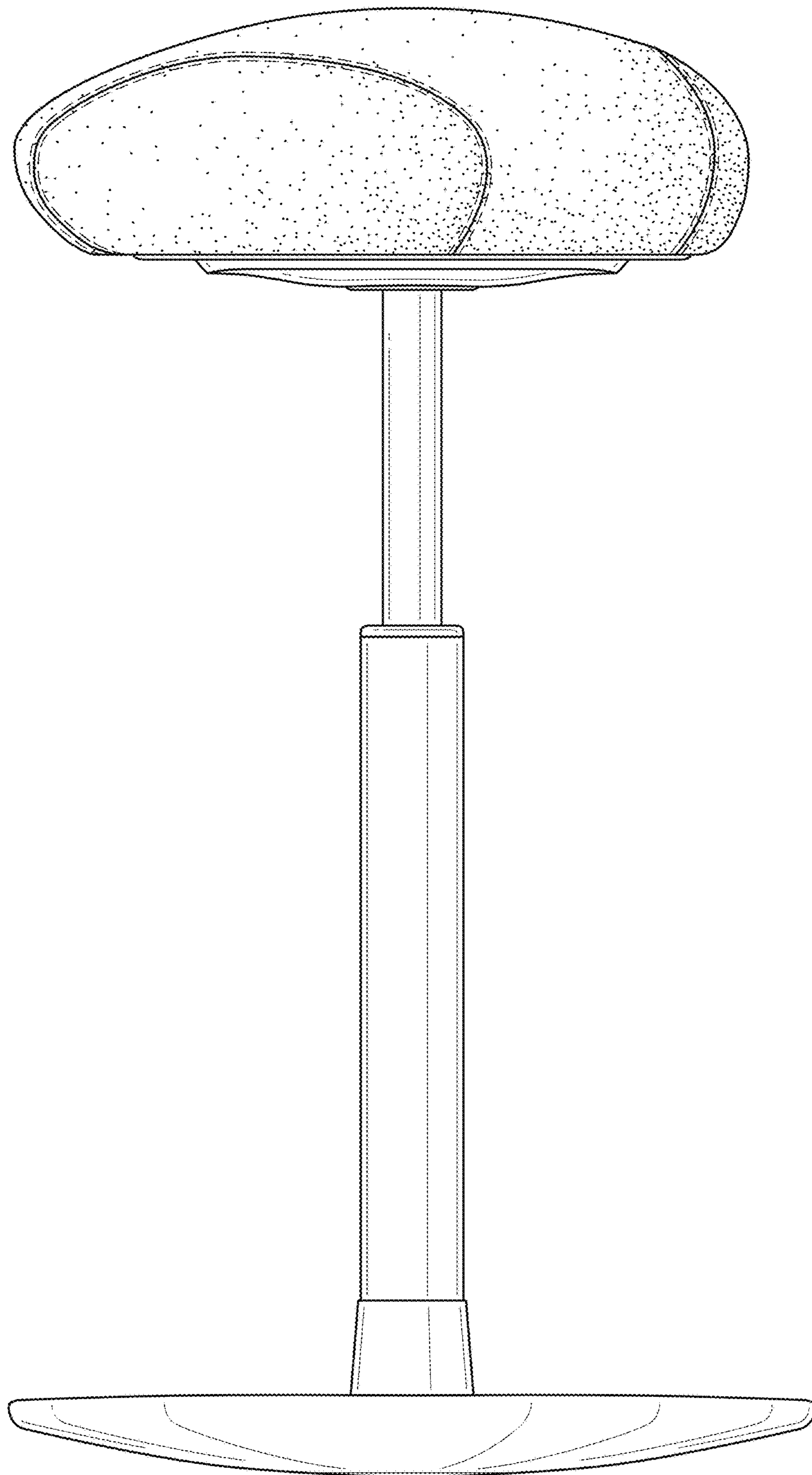


FIG. 5

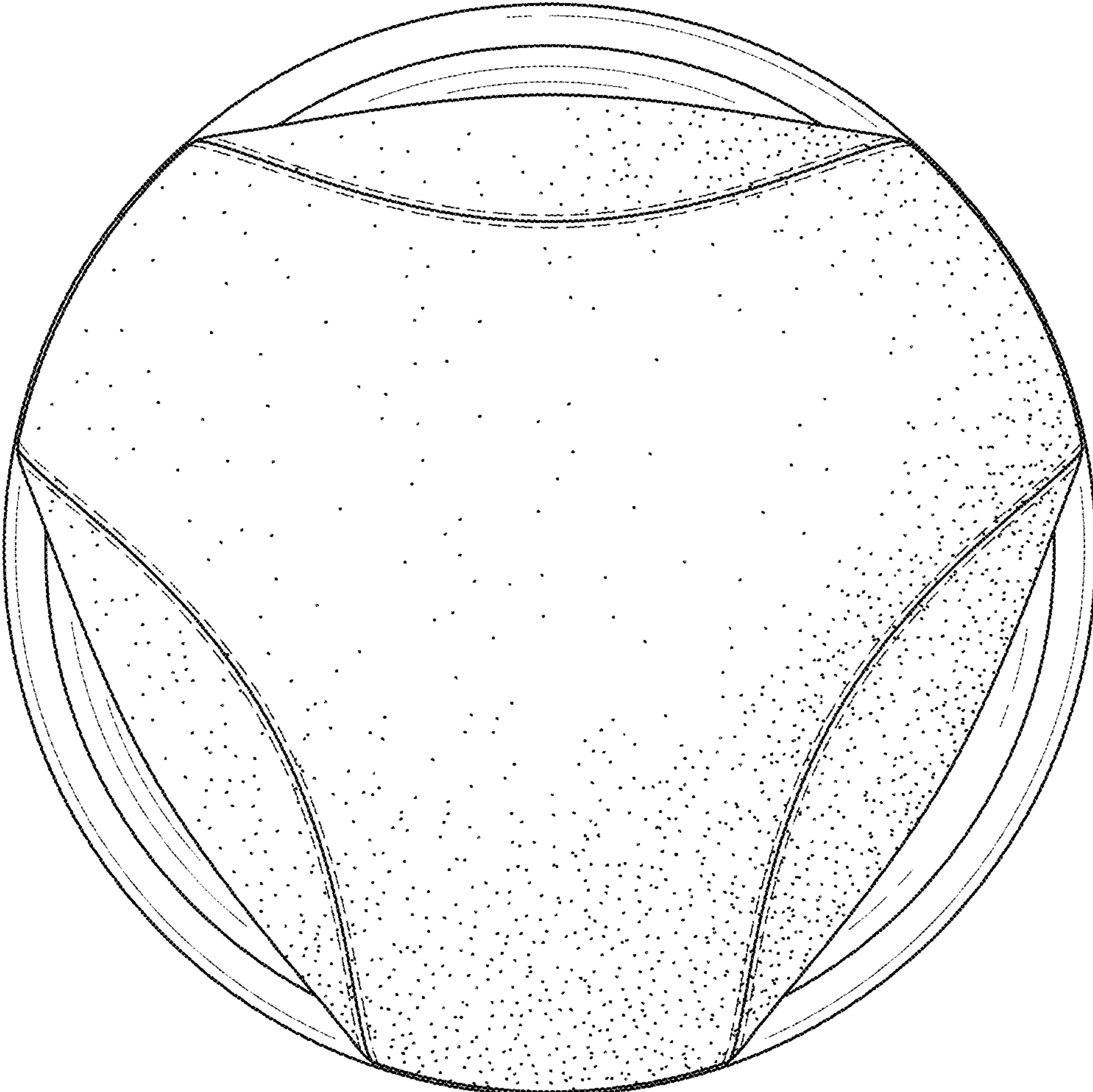


FIG. 6

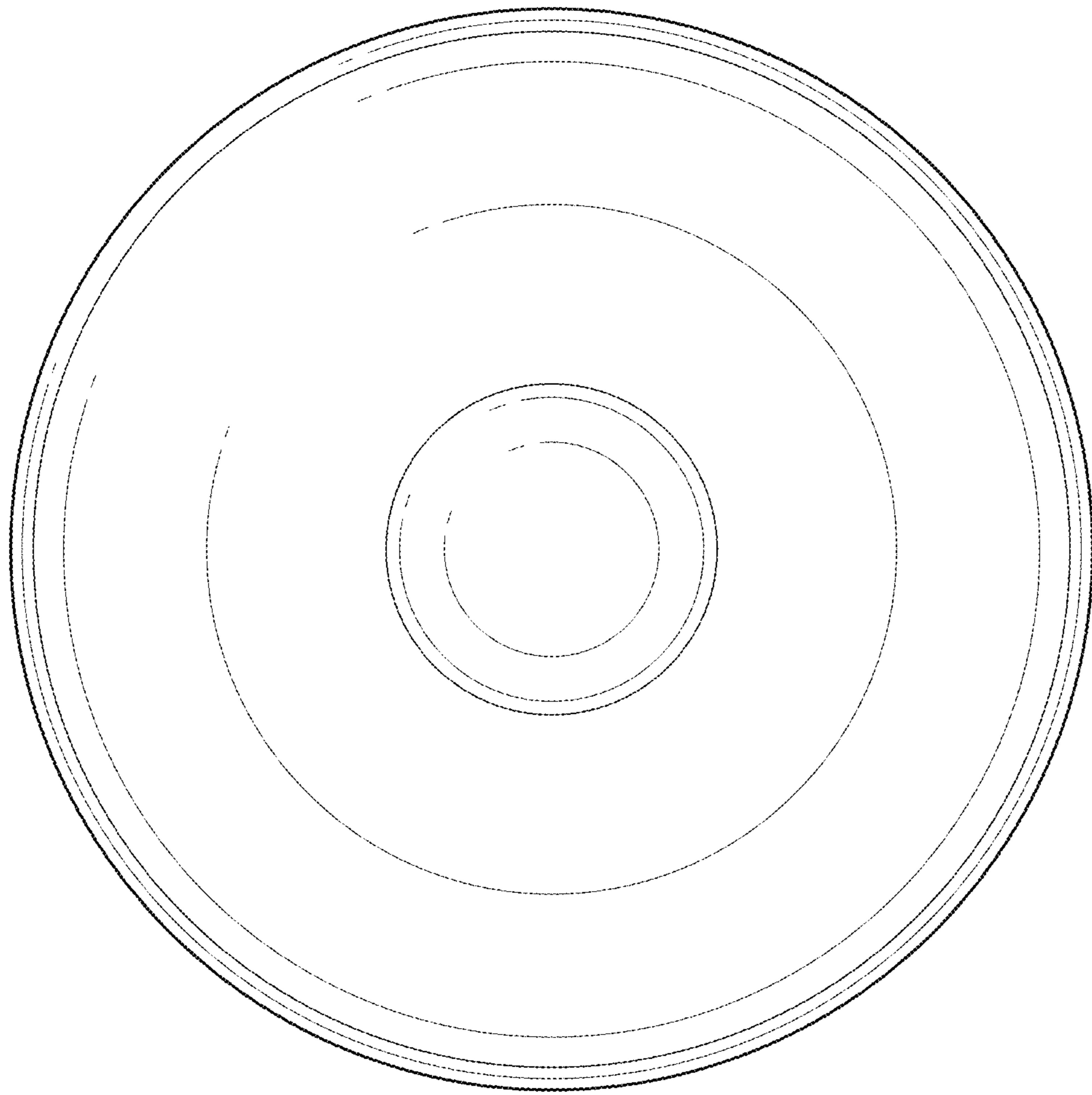


FIG. 7