



US00D803590S

(12) **United States Design Patent** (10) **Patent No.:** **US D803,590 S**
Lewin (45) **Date of Patent:** **** Nov. 28, 2017**

(54) **LEARNING GARDEN BENCH**

(71) Applicant: **The Kitchen Community, Inc.**,
Boulder, CO (US)

(72) Inventor: **Jen Lewin**, Boulder, CO (US)

(**) Term: **15 Years**

(21) Appl. No.: **29/561,004**

(22) Filed: **Apr. 12, 2016**

(51) **LOC (10) Cl.** **06-01**

(52) **U.S. Cl.**

USPC **D6/349**; D6/696

(58) **Field of Classification Search**

USPC D6/334, 349-355, 363, 360, 368, 374,
D6/403, 405, 657, 675.4, 685, 688.17,
D6/690, 691.9, 693-693.3, 695, 696, 708,
D6/708.15-708.25, 709.11; D25/62-65

CPC A47C 9/00-9/105; A47C 7/00-7/02; A47C
16/00-16/04; A47B 7/00-7/02; A47B
3/00; A47B 3/02; A47B 3/04; A47B 3/12

See application file for complete search history.

(56) **References Cited**

U.S. PATENT DOCUMENTS

D62,604 S *	7/1923	De Shields	D6/349
D239,901 S *	5/1976	Goulder	D6/678.1
D303,877 S *	10/1989	Norton	D6/349
D363,824 S *	11/1995	Lyons	D6/349
D484,334 S *	12/2003	Robbins	D6/349
D493,966 S *	8/2004	Rach	D6/349
D688,476 S *	8/2013	Metcalf	D6/349
D701,714 S *	4/2014	Gelman	D6/562
D727,043 S *	4/2015	Cohen	D6/349
D741,092 S *	10/2015	Goodman	D6/676.5

OTHER PUBLICATIONS

The Kitchen Community Product Specs. [online] Retrieved Jul. 5, 2017 from URL: <https://thekitchencommunity.org/wp-content/uploads/2016/08/TKC-Product-Specs.pdf>.*

Teak Curved Bench 5 ft. [online] Retrieved Jul. 5, 2017 from URL: https://www.goldenteak.com/pc/R-TB-NA/Benches-5ft/Curved-Teak-Bench-5ft---Estate-Collection---Premium-Teak.html?source=froogle&utm_source=froogle&utm_medium=cpc&gclid=CLzHqLrr8tQCFROHswodzxIDxQ.*

Curved outdoor bench. [online] Published on Jan. 10, 2015. Retrieved Jul. 5, 2017 from URL: <http://www.sesservice.ie/Products/street-furniture/modular%20seating,%20wooden%20seating,%20seat,%20outdoor%20seating,%20wooden%20bench,%20small%20benches/sinus-bench>.*

* cited by examiner

Primary Examiner — Vy N Koenig

(74) *Attorney, Agent, or Firm* — Holland & Hart LLP

(57) **CLAIM**

The ornamental design for a learning garden bench, as shown and described.

DESCRIPTION

FIG. 1 is a top perspective view of the learning garden bench, showing my new design;

FIG. 2 is a bottom perspective view of the design illustrated in FIG. 1;

FIG. 3 is a front elevation view of the design illustrated in FIG. 1;

FIG. 4 is a rear elevation view of the design illustrated in FIG. 1;

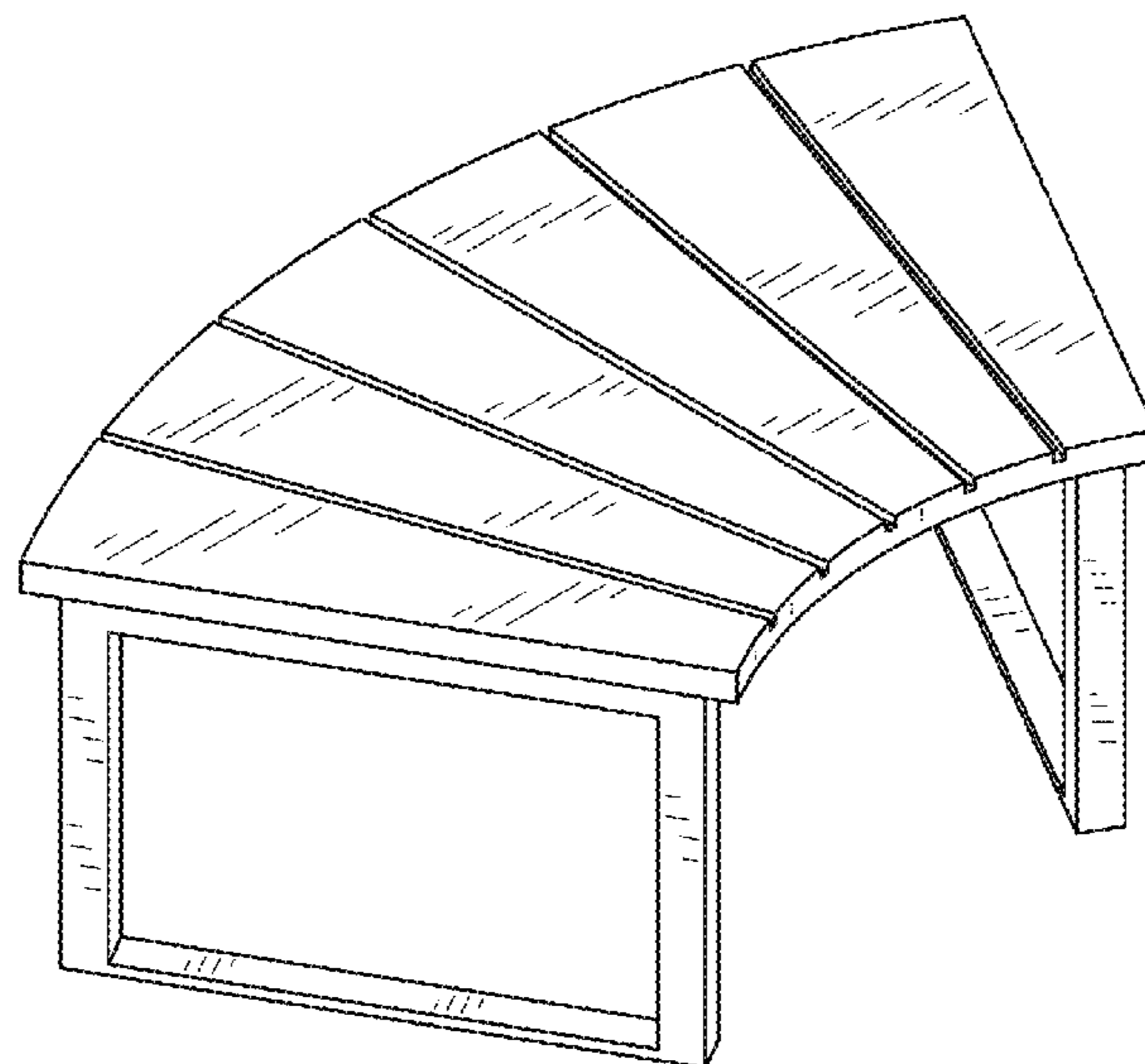
FIG. 5 is a right side elevation view of the design illustrated in FIG. 1;

FIG. 6 is a left side elevation view of the design illustrated in FIG. 1;

FIG. 7 is a top plan view of the design illustrated in FIG. 1; and,

FIG. 8 is a bottom plan view of the design illustrated in FIG. 1.

1 Claim, 4 Drawing Sheets



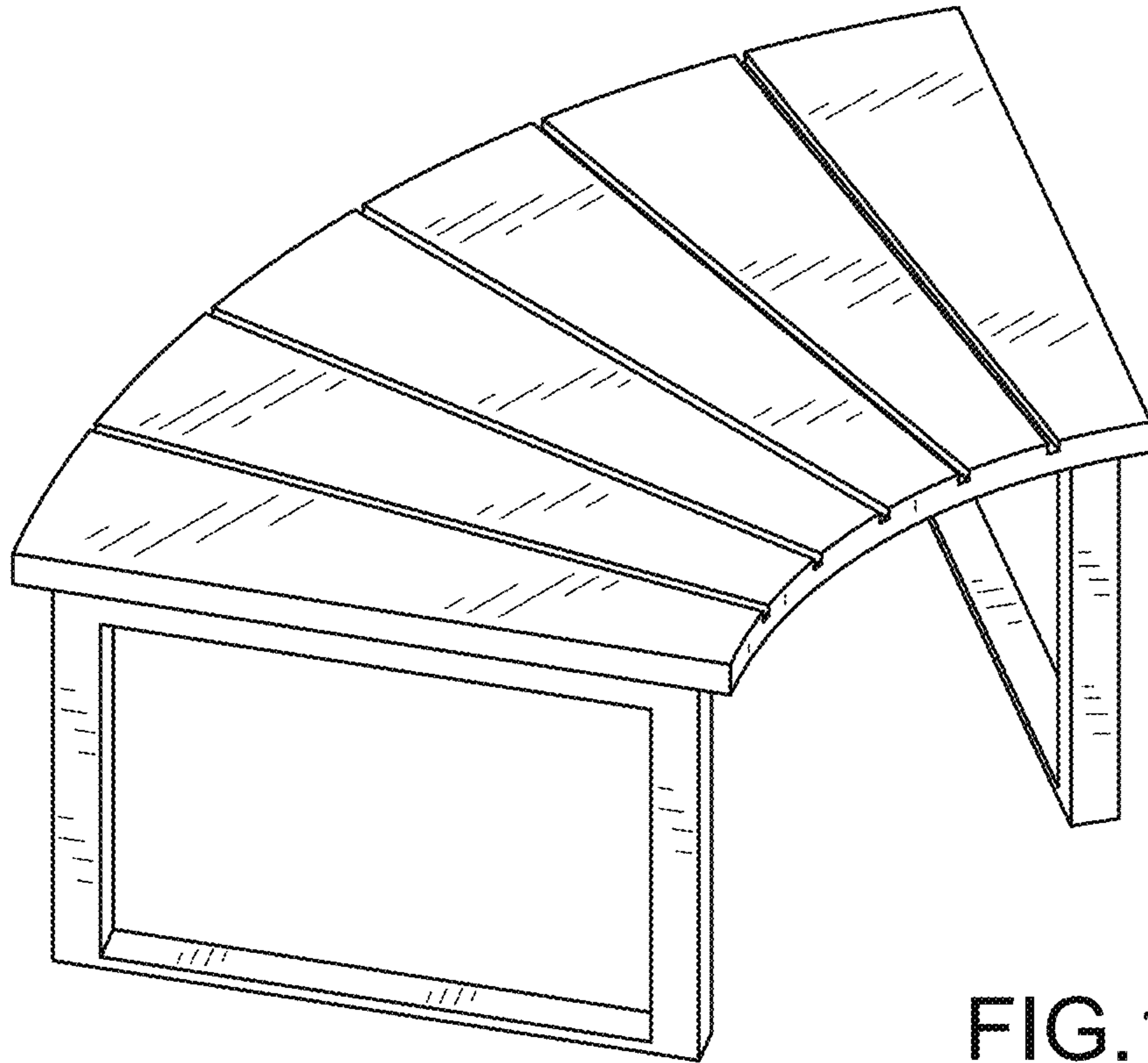


FIG. 1

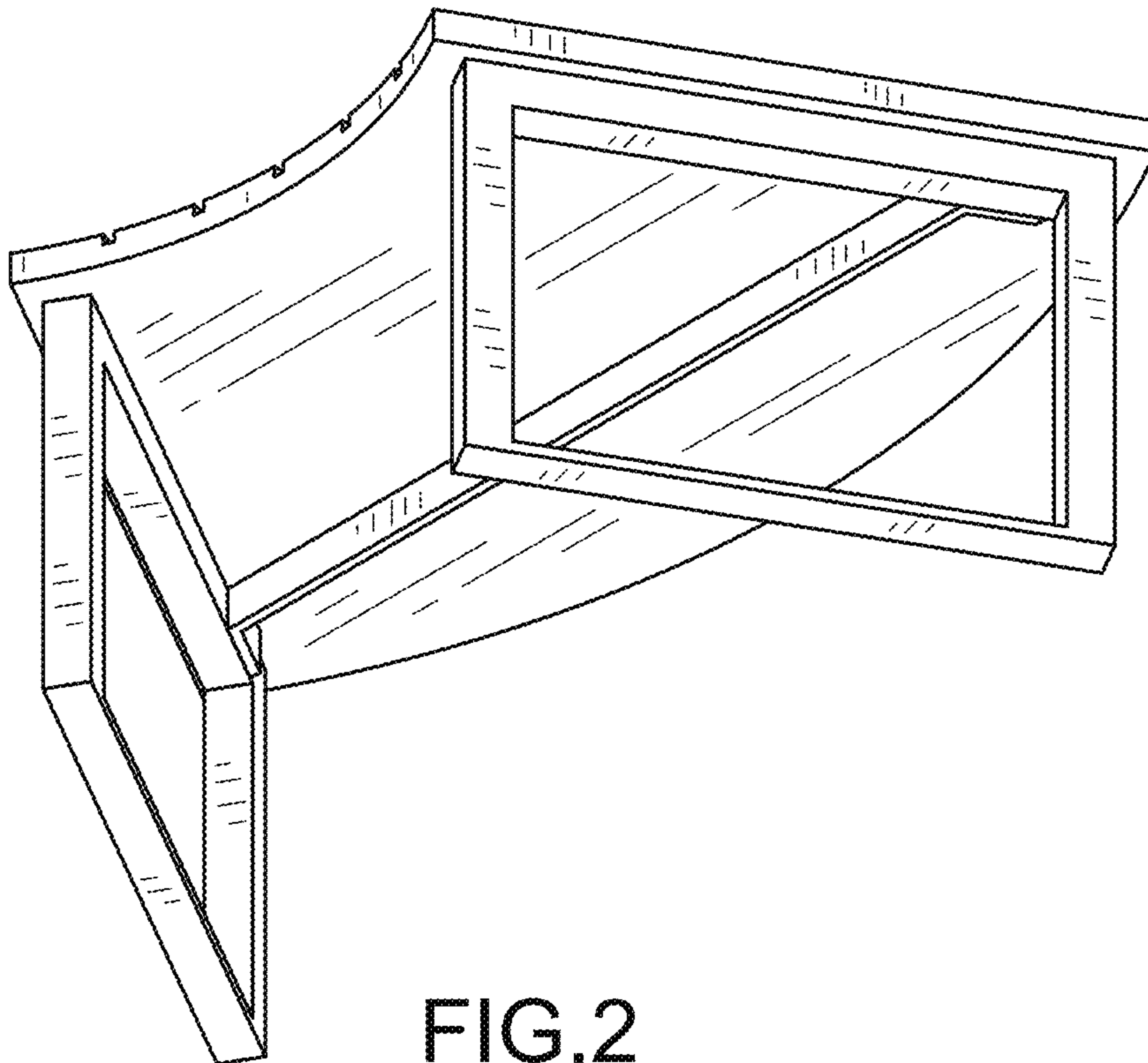


FIG. 2

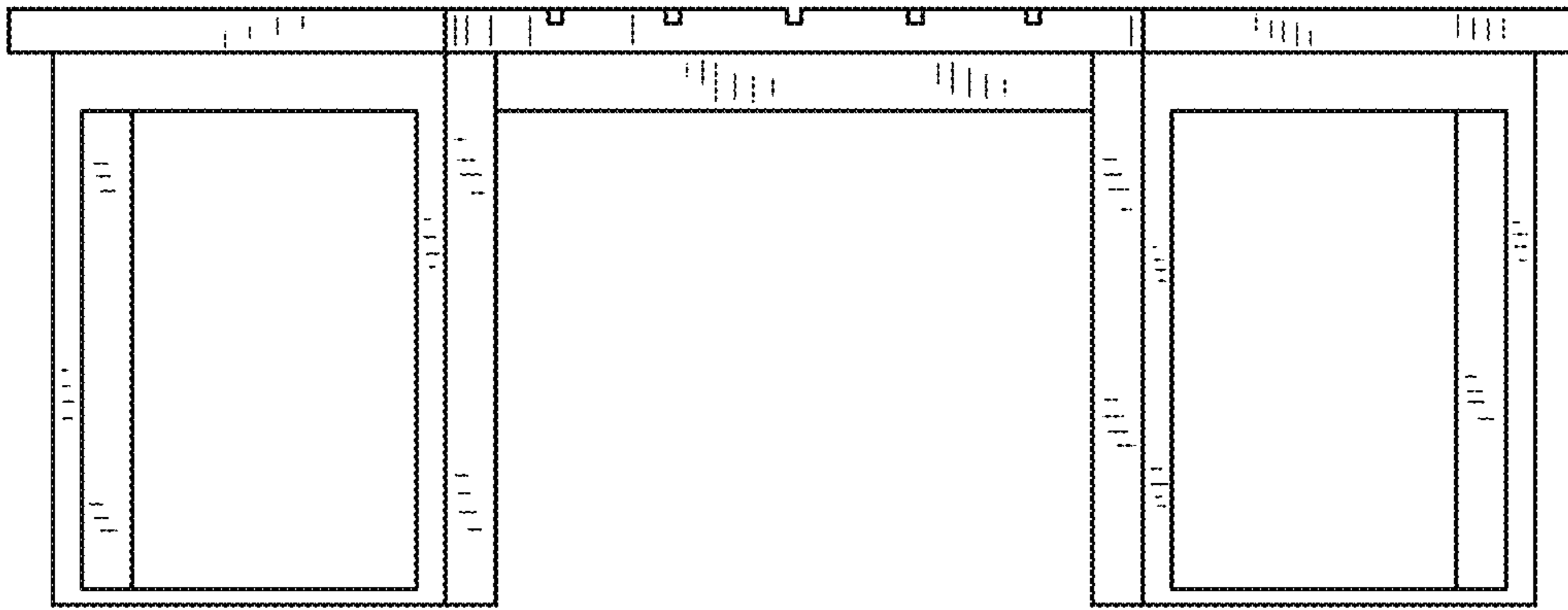


FIG.3

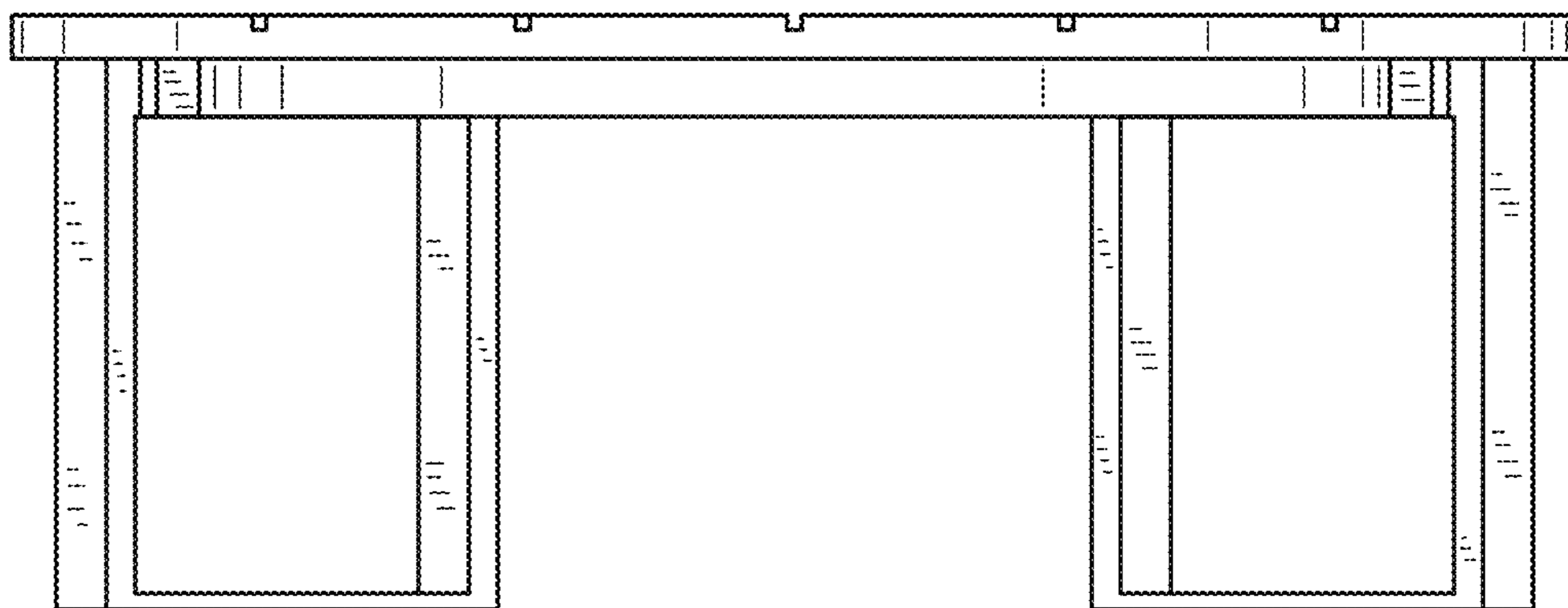


FIG.4

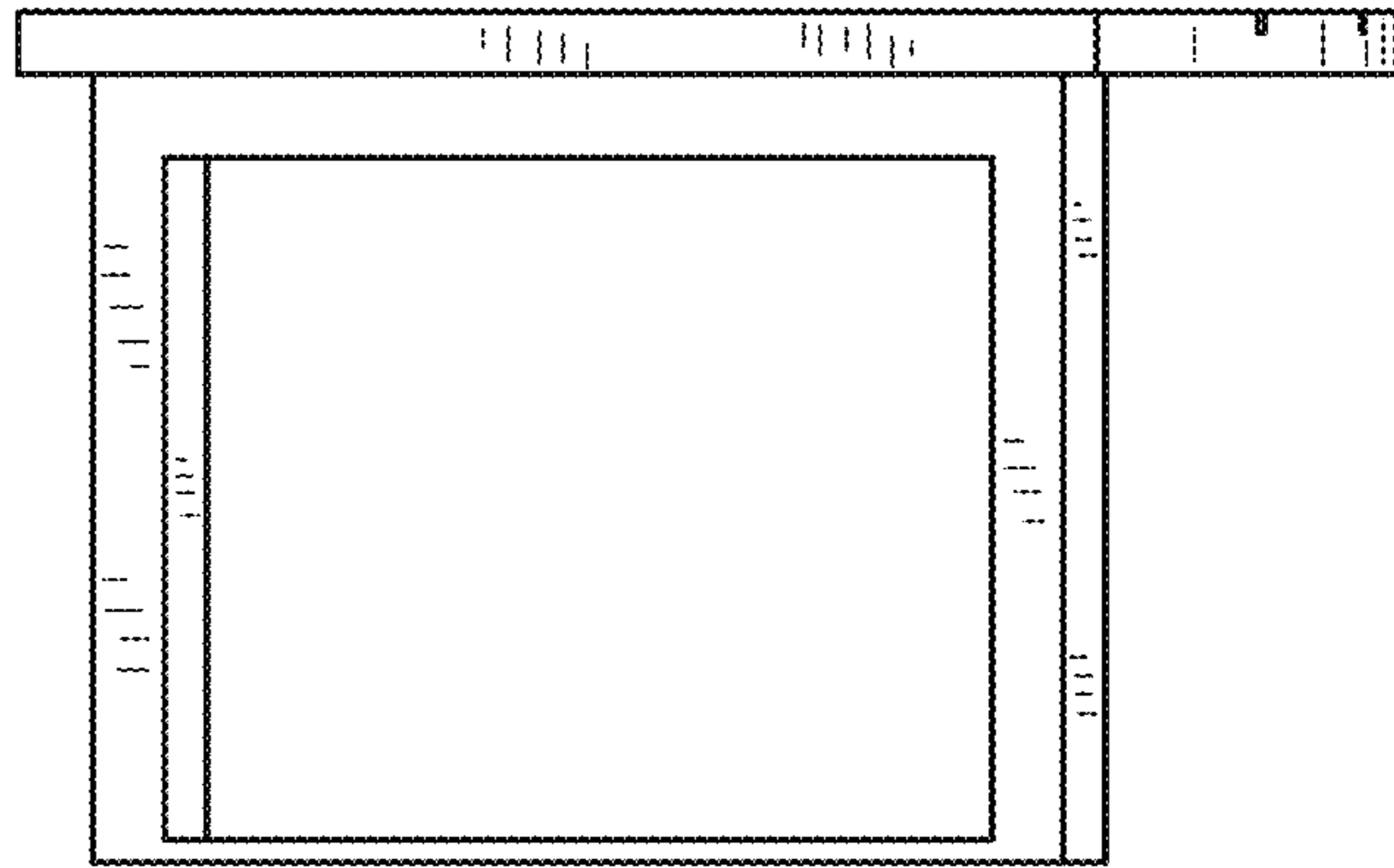


FIG.5

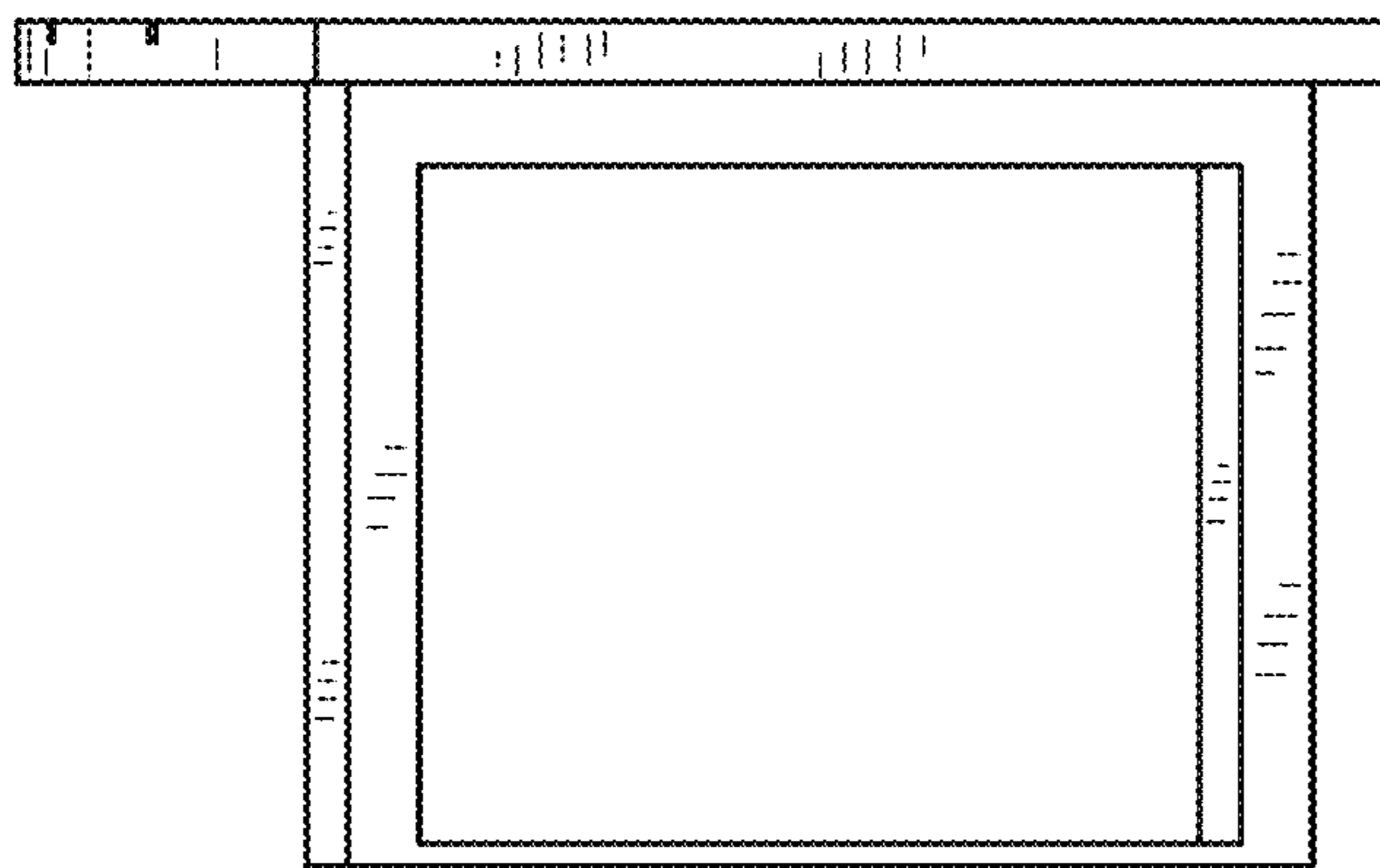


FIG.6

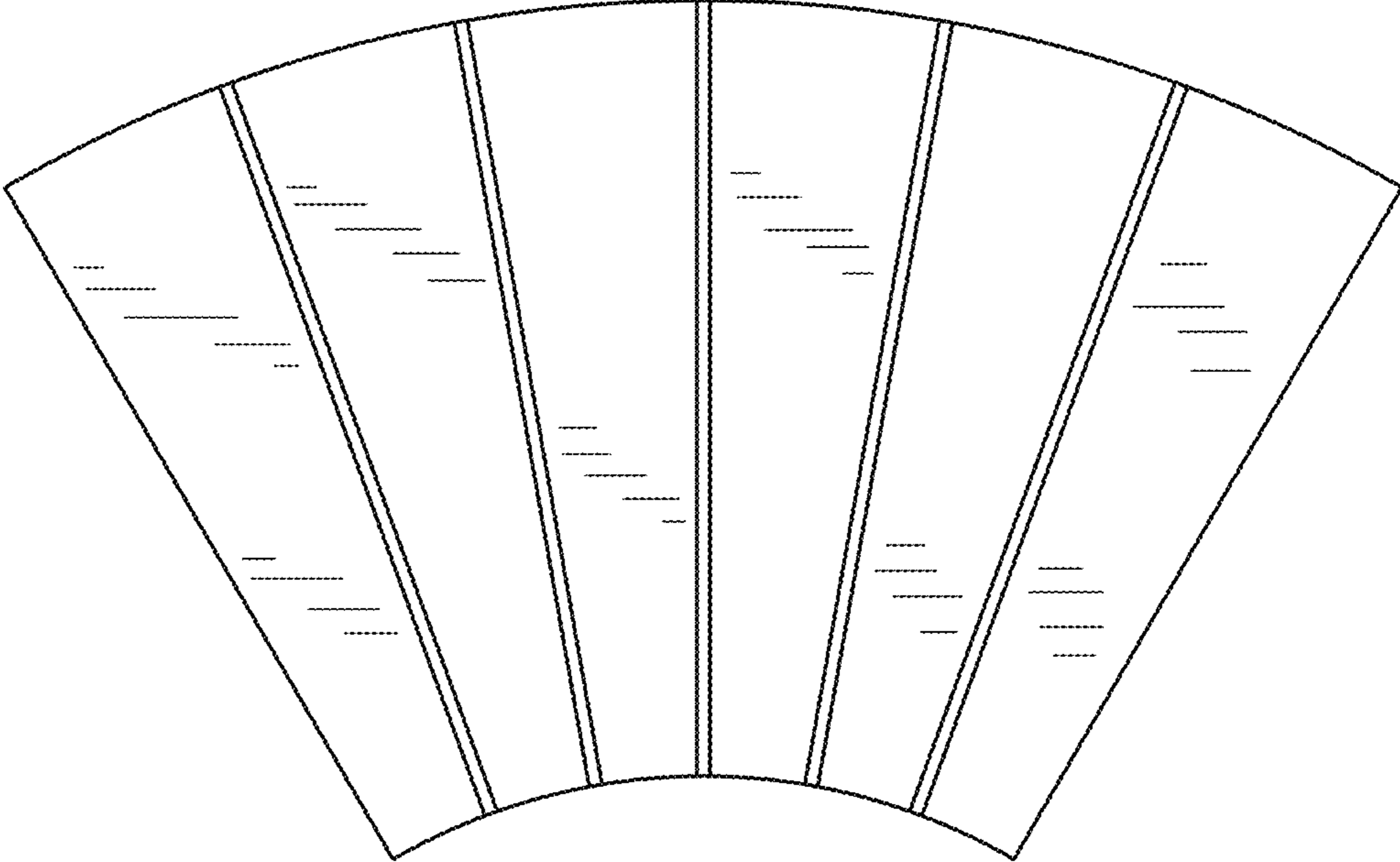


FIG. 7

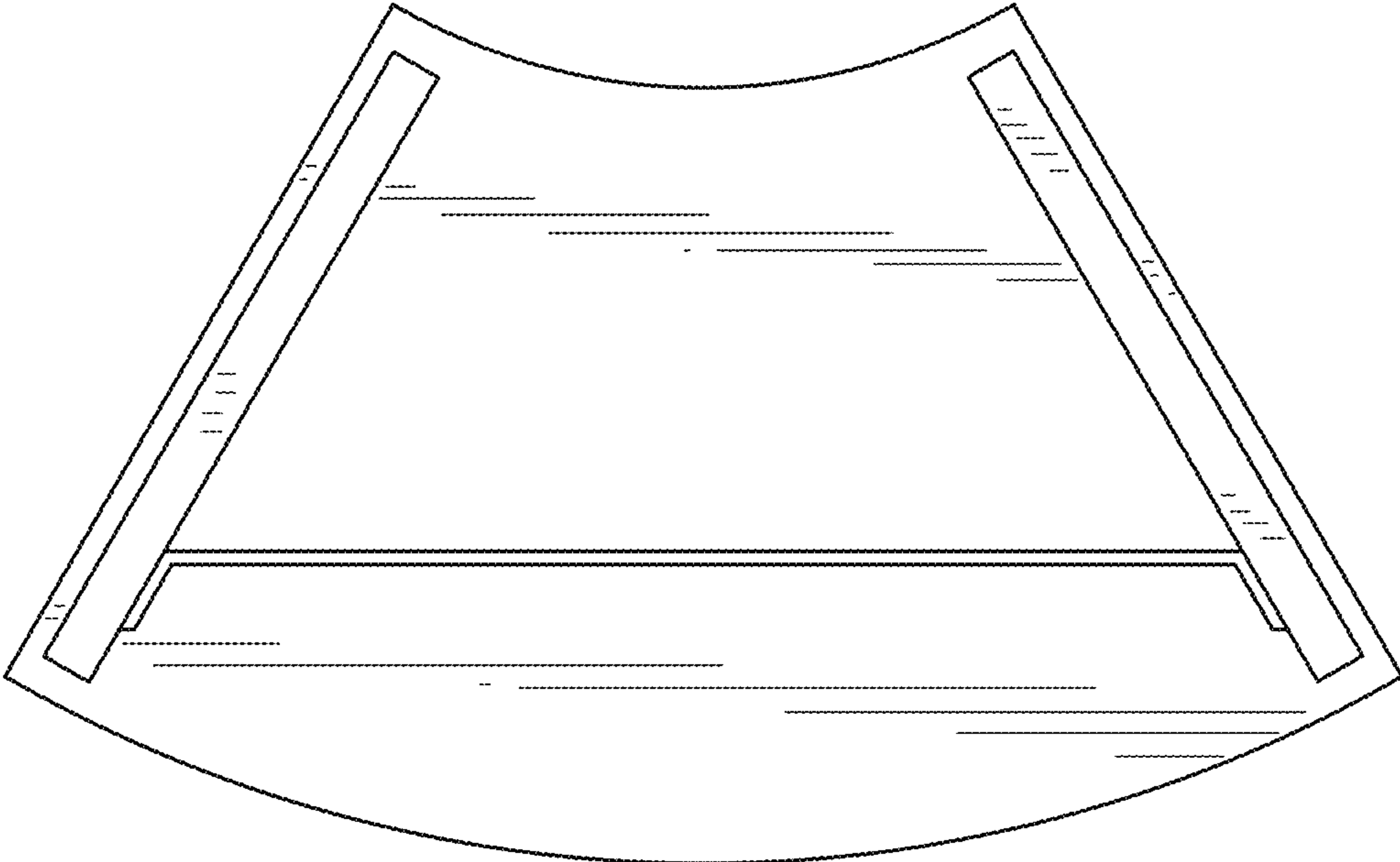


FIG. 8