



US00D803589S

(12) **United States Design Patent** (10) **Patent No.:** **US D803,589 S**
Rehkemper et al. (45) **Date of Patent:** **** Nov. 28, 2017**

- (54) **DESK SYSTEM**
- (71) Applicant: **The Edge Desk LLC**, Deerfield, IL (US)
- (72) Inventors: **Jeffrey Rehkemper**, Chicago, IL (US);
Steven Rehkemper, Chicago, IL (US);
Marc Rosenberg, Deerfield, IL (US);
Jeffrey Jones, Deerfield, IL (US)
- (73) Assignee: **The Edge Desk LLC**, Deerfield, IL (US)

D185,868 S *	8/1959	Hoven et al.	297/172
3,034,827 A	5/1962	Rassier	
D207,959 S *	6/1967	Gervais	D6/340
D235,285 S *	6/1975	Dawson	D6/338
D239,793 S *	5/1976	Jones et al.	D6/338
D257,916 S *	1/1981	Shelton	D6/340

(Continued)

FOREIGN PATENT DOCUMENTS

CN	88200667	11/1988
CN	2030041	1/1989

(Continued)

- (**) Term: **15 Years**
- (21) Appl. No.: **29/557,767**
- (22) Filed: **Mar. 11, 2016**

OTHER PUBLICATIONS

Website retrieved from Wayback Machine on May 19, 2016, Dated Jun. 11, 2015, All together 3 Pages, "Flash Furniture Mobile Wooden Ergonomic Kneeling Chair in Black Fabric (FLA-WL-SB-210-GG)", http://www.schooloutlet.com/Mobile_Wooden_Ergonomic_Kneeling_Chair_in_Black_p/fla-wl-sb-210-gg.htm?

(Continued)

Related U.S. Application Data

- (63) Continuation of application No. PCT/US2015/061912, filed on Nov. 20, 2015.
- (60) Provisional application No. 62/123,502, filed on Nov. 20, 2014.
- (51) **LOC (10) Cl.** **06-01**
- (52) **U.S. Cl.**
USPC **D6/338; D6/330**
- (58) **Field of Classification Search**
USPC D6/334-338, 340-342
CPC A47B 3/14; A47B 3/002; A47B 3/083;
A47B 3/087; A47B 2003/145; A47B
83/02
See application file for complete search history.

Primary Examiner — Deanna L Pratt

(74) *Attorney, Agent, or Firm* — Brooks Kushman P.C.

(57) **CLAIM**

The ornamental design for a desk system, as shown and described.

DESCRIPTION

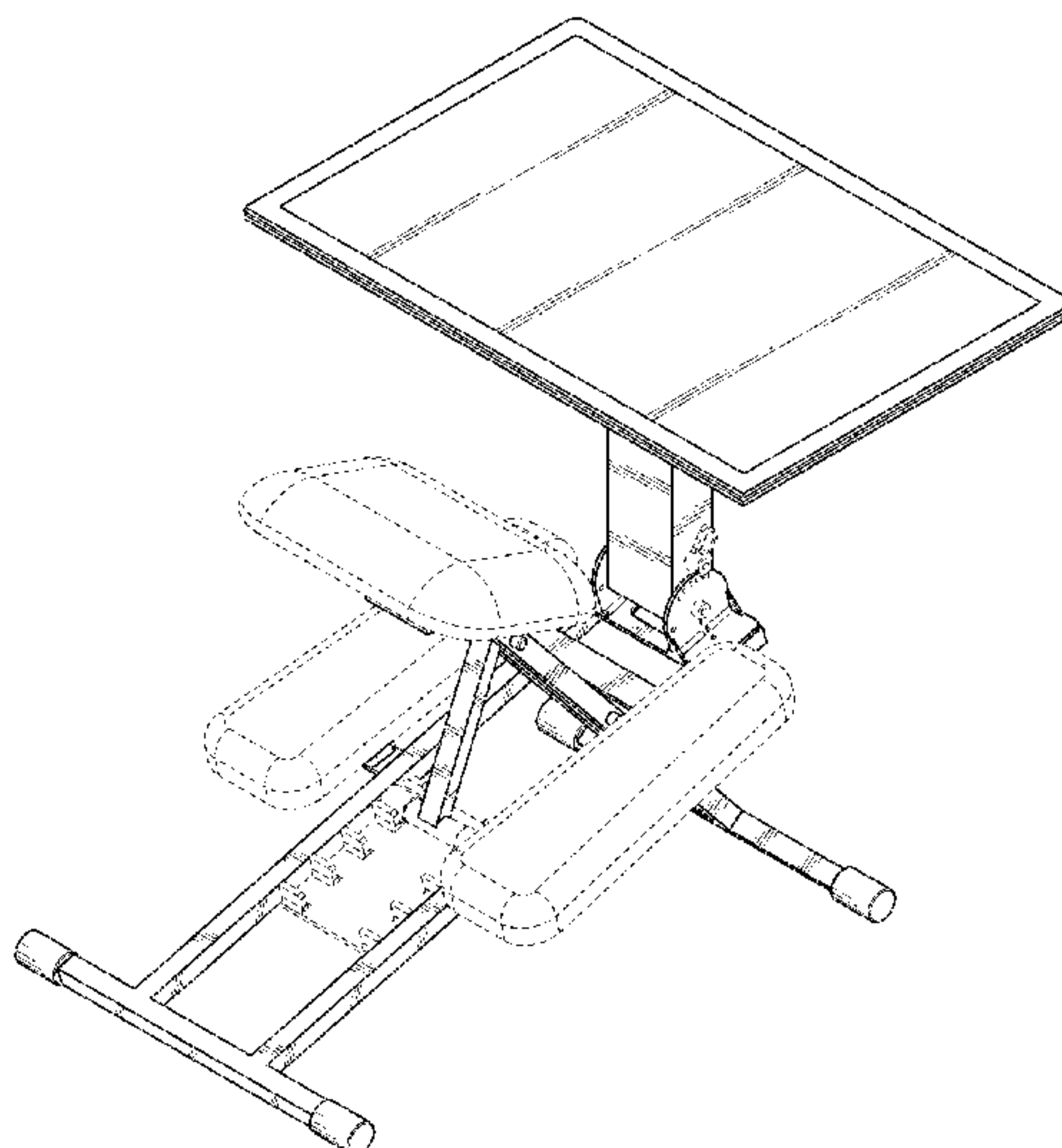
FIG. 1 is a perspective view of a desk system according to our new design;
FIG. 2 is a front view of the desk system thereof;
FIG. 3 is a rear view of the desk system thereof;
FIG. 4 is a first side view of the desk system thereof;
FIG. 5 is a second side view of the desk system thereof;
FIG. 6 is a top view of the desk system of thereof; and,
FIG. 7 is a bottom view of the desk system of thereof.
The broken lines illustrate portions of the desk system that form no part of the claimed design.

1 Claim, 5 Drawing Sheets

(56) **References Cited**

U.S. PATENT DOCUMENTS

D140,281 S *	2/1945	Weller et al.	297/156
D163,170 S *	5/1951	Eibetz	297/156
D169,012 S *	3/1953	Musacco	297/172
D175,016 S *	6/1955	Cote	297/156
D184,151 S *	12/1958	Schneider	297/170



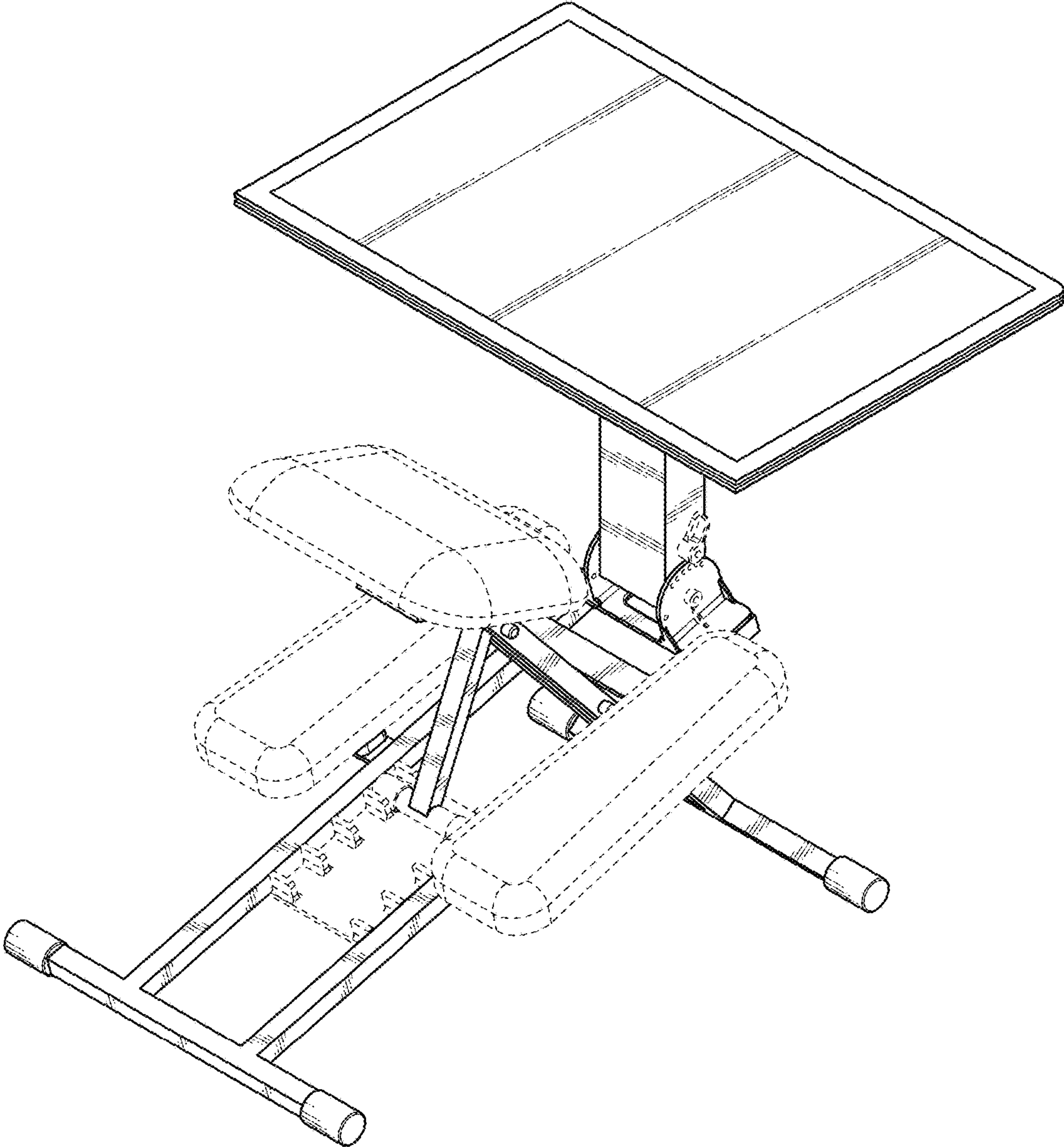


FIG. 1

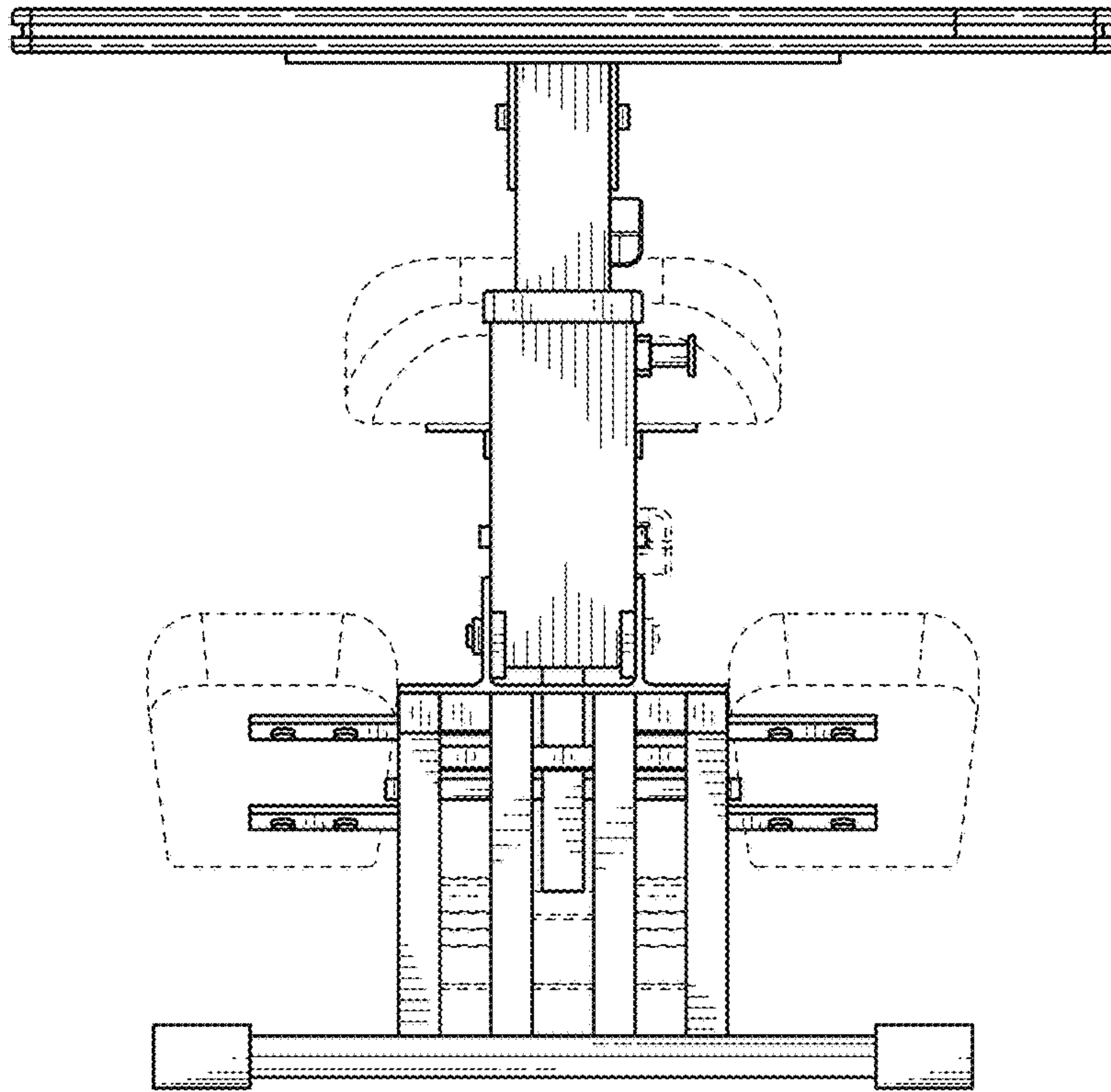


FIG. 2

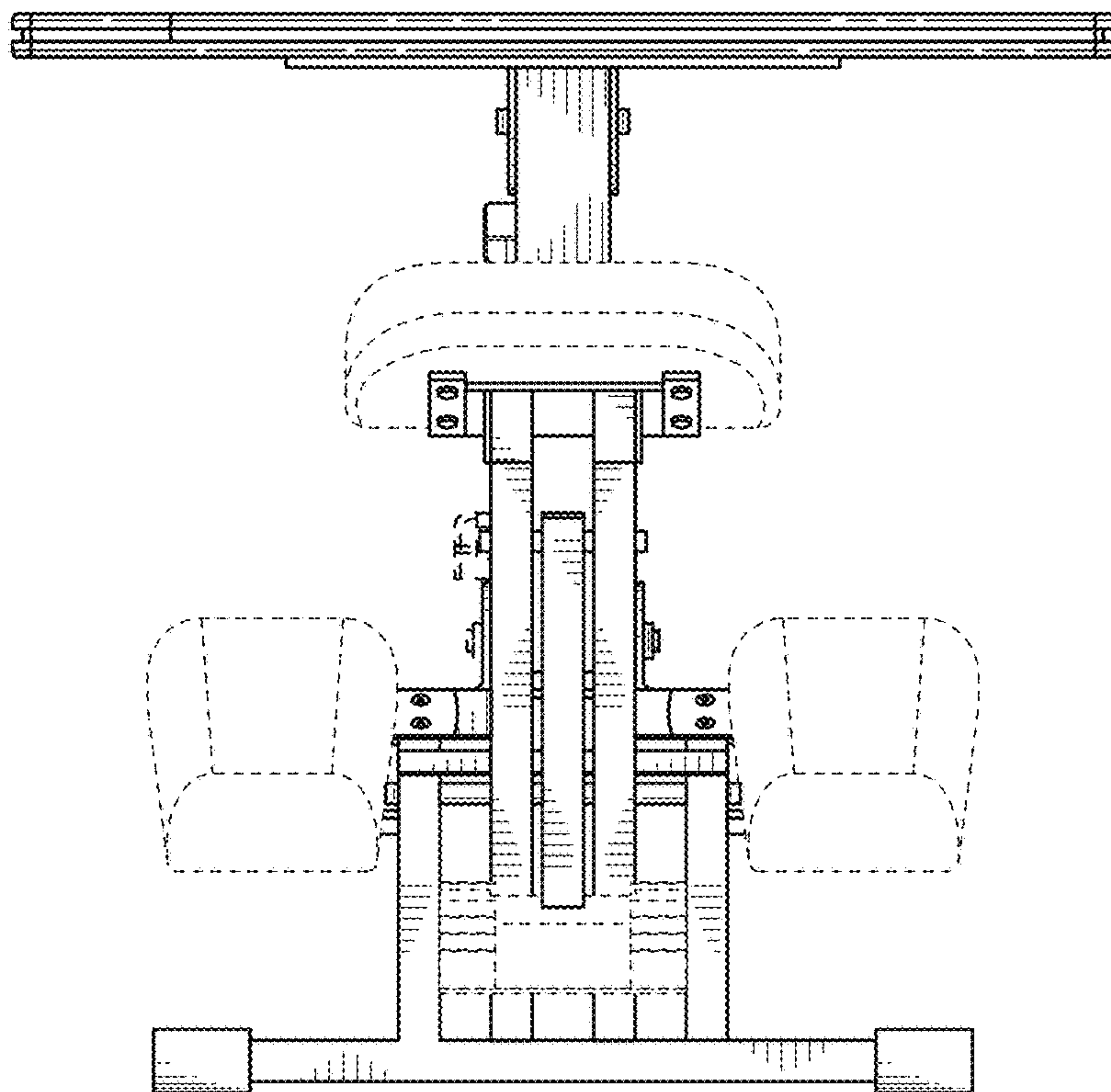


FIG. 3

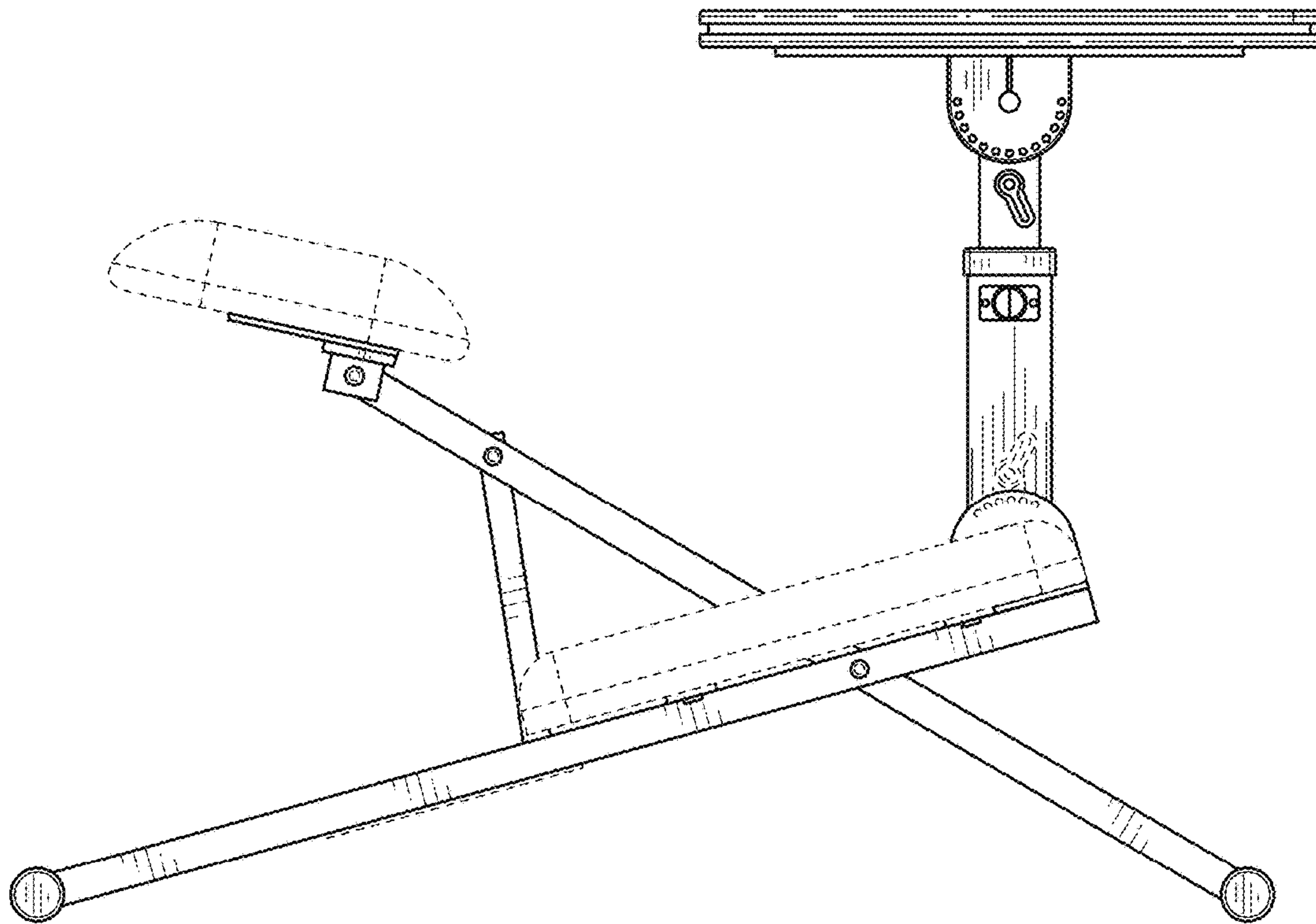


FIG. 4

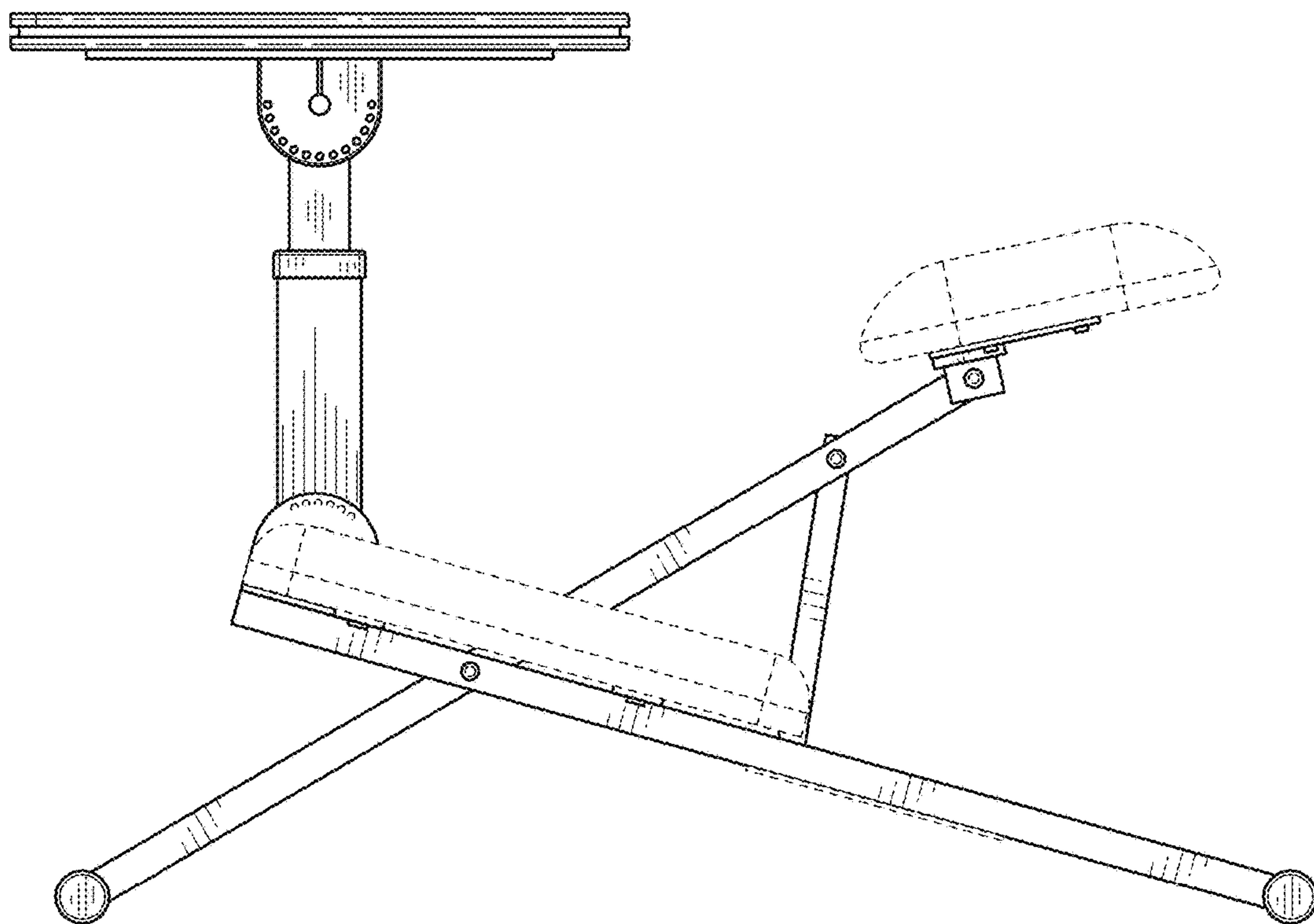


FIG. 5

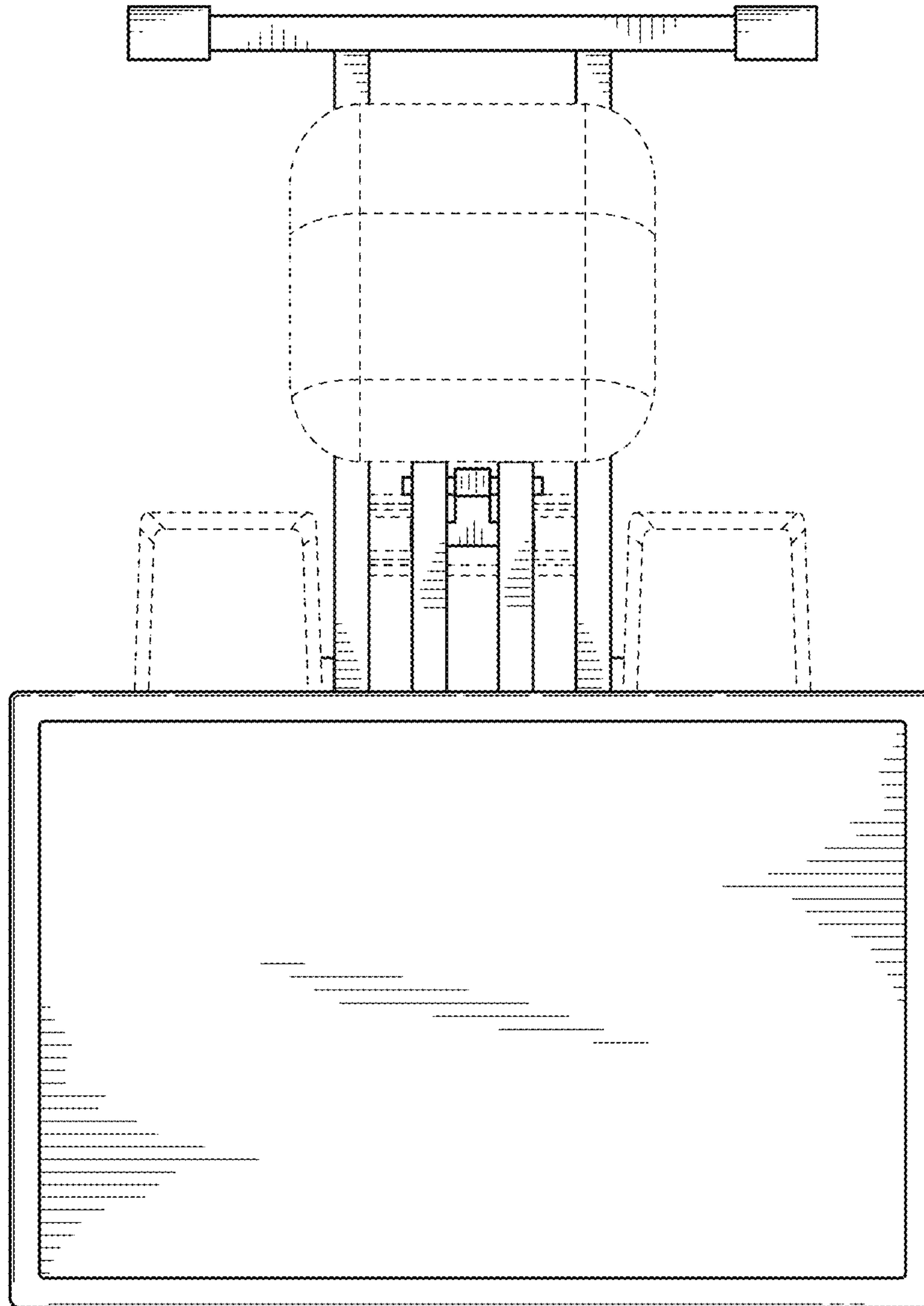


FIG. 6

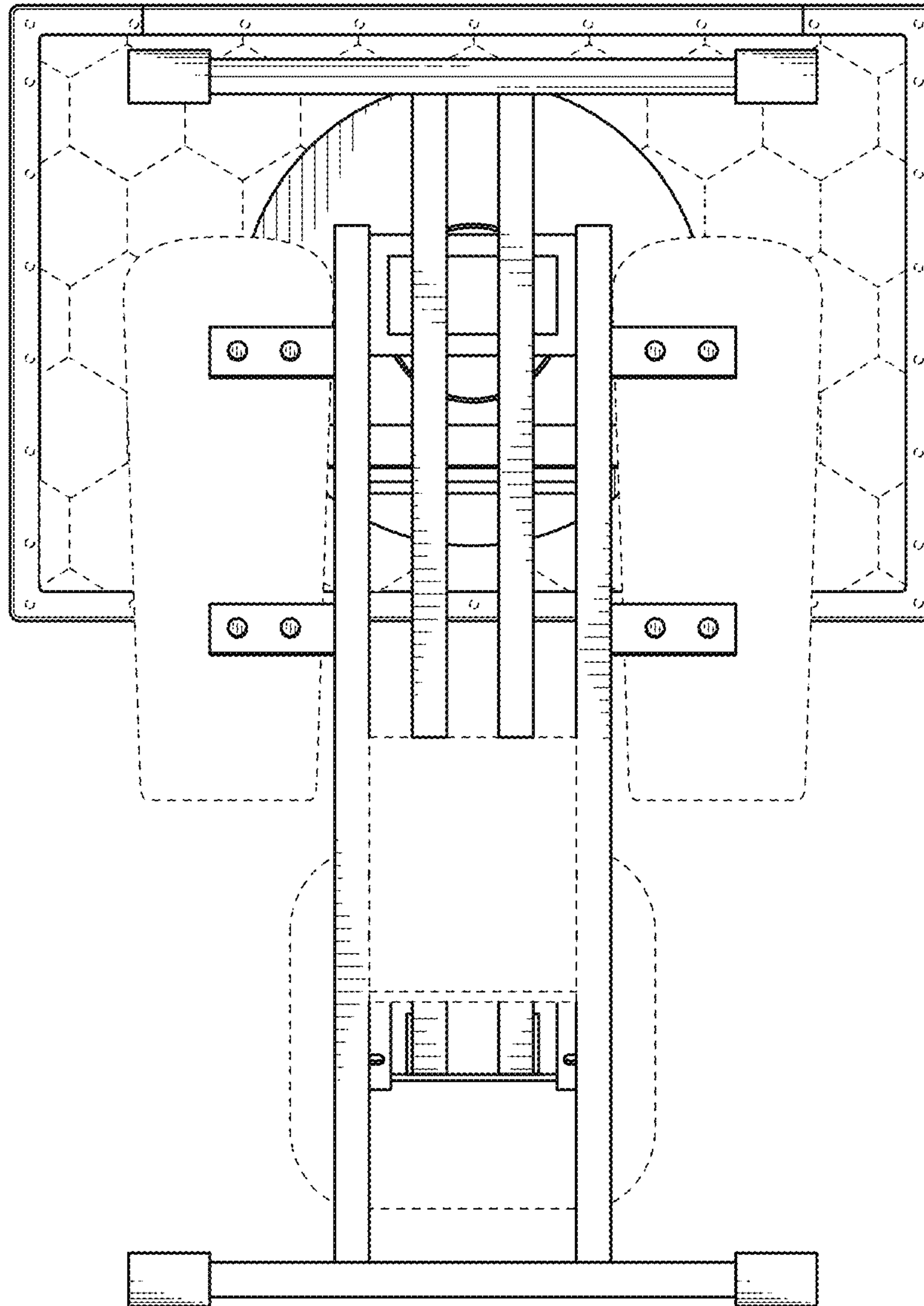


FIG. 7