



US00D803588S

(12) **United States Design Patent** (10) **Patent No.:** **US D803,588 S**
Dix (45) **Date of Patent:** **** Nov. 28, 2017**

(54) **SEAT**
(71) Applicant: **SOUTHERN MOTION, INC.,**
Pontotoc, MS (US)
(72) Inventor: **George K Dix,** Pontotoc, MS (US)
(73) Assignee: **Southern Motion, Inc.,** Pontotoc, MS
(US)
(**) Term: **15 Years**

D430,739 S *	9/2000	Palumbo	D6/334
D431,917 S *	10/2000	Natuzzi	D6/334
D436,745 S *	1/2001	Lewis	D6/334
D436,746 S *	1/2001	Lewis	D6/334
D474,901 S *	5/2003	Lewis	D6/334
D490,617 S *	6/2004	Lowman	D6/334
D503,547 S *	4/2005	Lowman	D6/334
D509,074 S *	9/2005	Westendorf	D6/334
D509,080 S *	9/2005	Lowman	D6/367
D519,288 S *	4/2006	Westendorf	D6/334
D721,514 S *	1/2015	Adair	D6/381
D721,516 S *	1/2015	Adair	D6/381

* cited by examiner

(21) Appl. No.: **29/584,845**
(22) Filed: **Nov. 17, 2016**
(51) **LOC (10) Cl.** **06-01**
(52) **U.S. Cl.**
USPC **D6/334**
(58) **Field of Classification Search**
USPC D6/334, 335, 336, 360, 361, 367, 368,
D6/371-375, 379-381, 716, 716.1-716.8
CPC A47C 7/00; A47C 7/62; A47C 7/18; A47C
7/54; A47C 4/00; A47C 4/028; A47C
4/28; A47C 3/16; A47C 3/04; A47C 3/12;
A47C 1/02; A47C 1/14
See application file for complete search history.

Primary Examiner — Deanna L Pratt
(74) *Attorney, Agent, or Firm* — Thomas G. Peterson;
Bradley Arant Boult Cummings LLP

(57) **CLAIM**

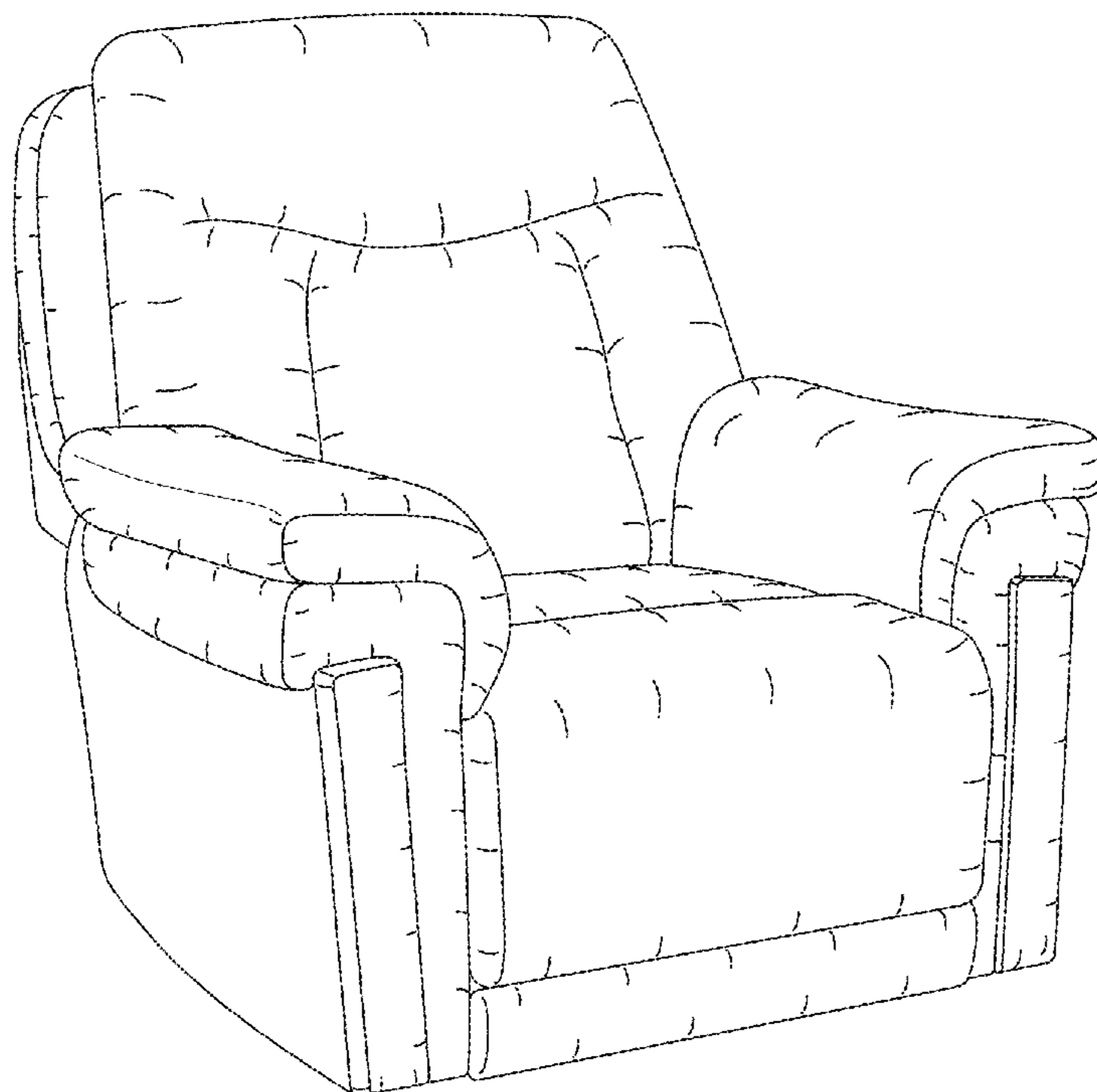
The ornamental design for a seat, as shown and described.

DESCRIPTION

FIG. 1 shows a perspective view of the seat in accordance with the new design.
FIG. 2 shows a front elevation view of the seat.
FIG. 3 shows a rear view of the seat.
FIG. 4 shows a top view of the seat; and,
FIG. 5 shows a side view of the seat.
The broken line showing of stitching on the arm of the seat in FIG. 5 illustrates stitching that forms a part of the claimed design.

(56) **References Cited**
U.S. PATENT DOCUMENTS
D352,610 S * 11/1994 Natuzzi D6/334
D411,053 S * 6/1999 Lewis D6/334
D415,622 S * 10/1999 Zaidman D6/334
D420,820 S * 2/2000 Lewis D6/334

1 Claim, 5 Drawing Sheets



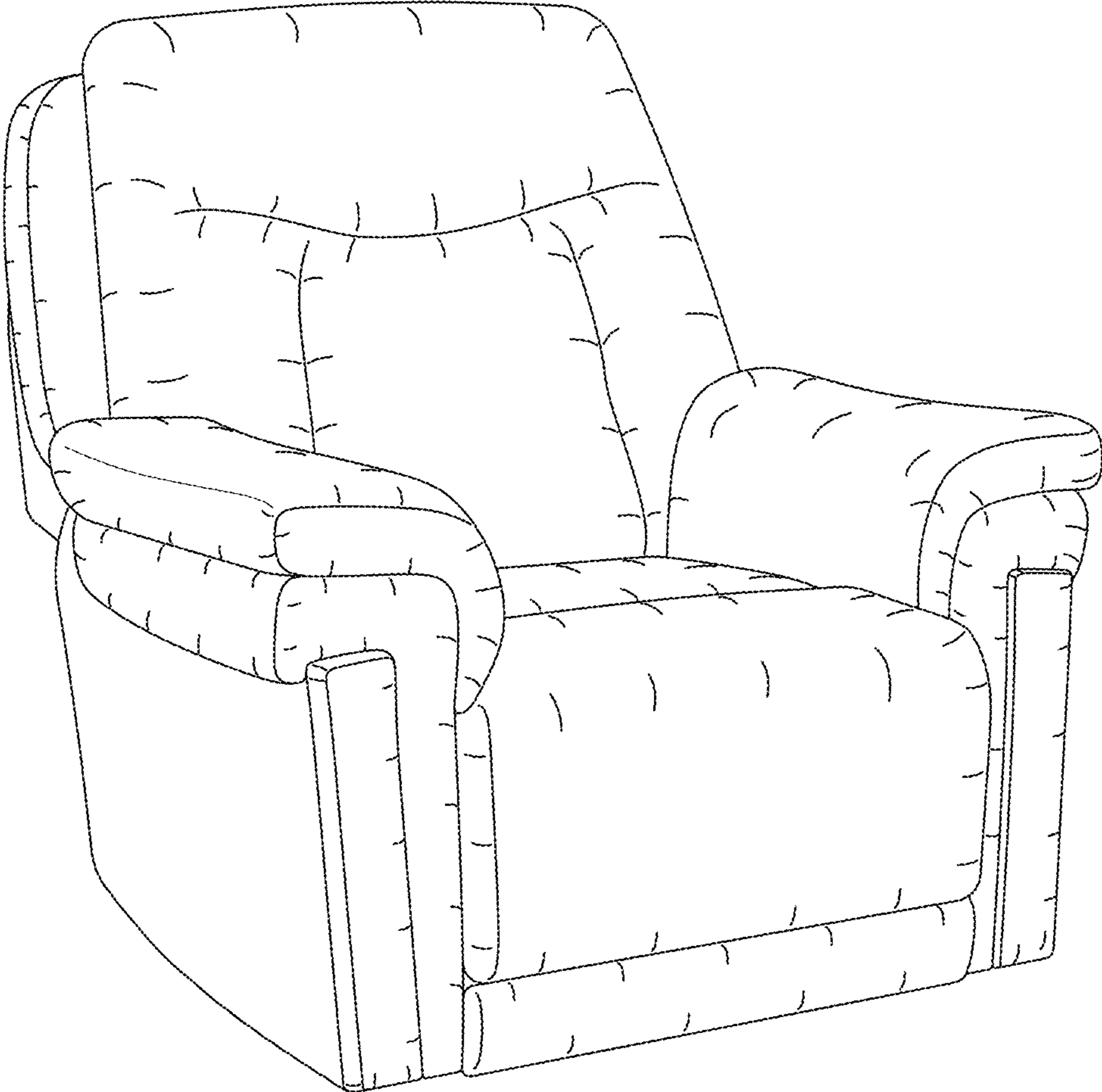


FIG. 1

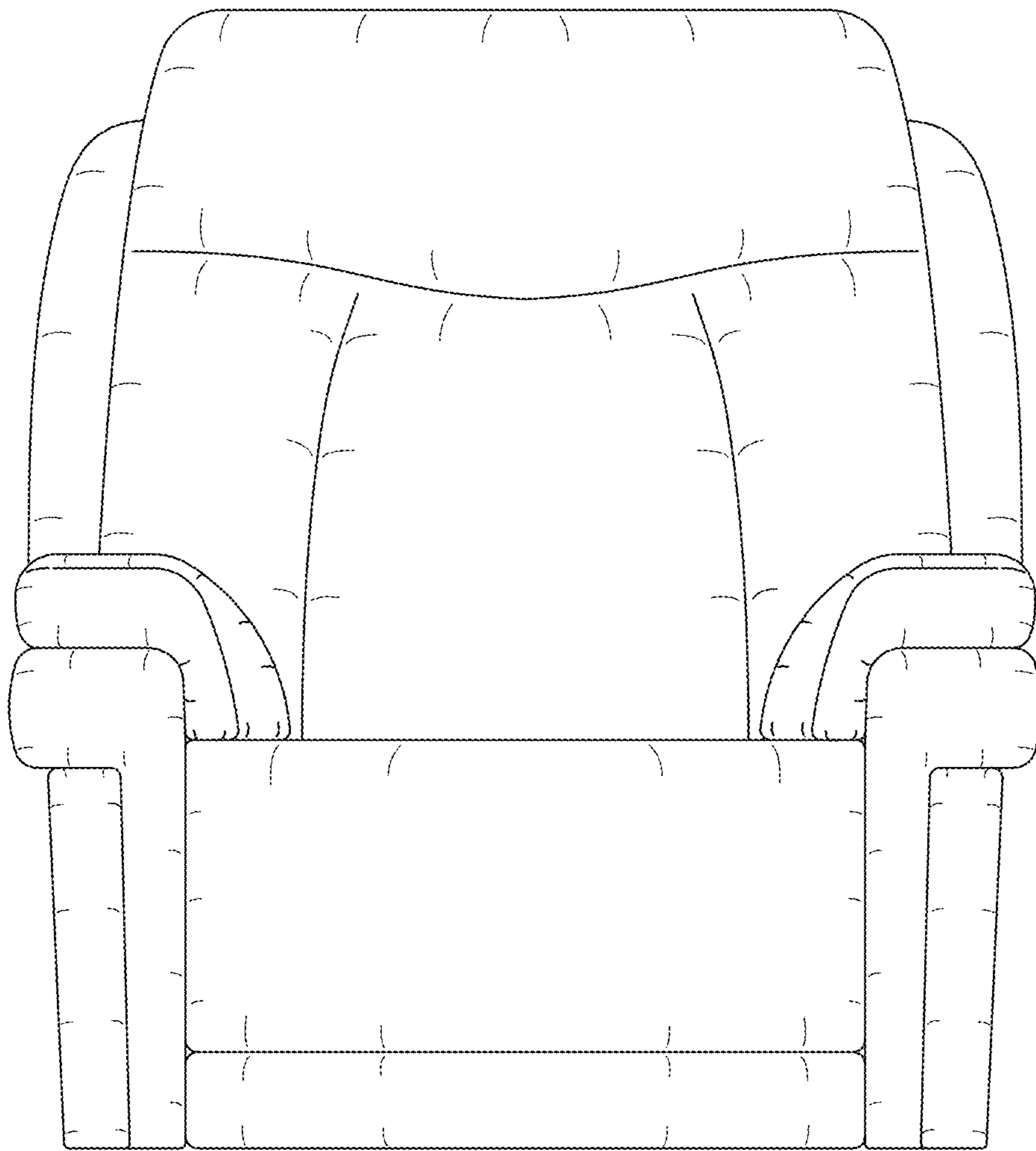


FIG. 2

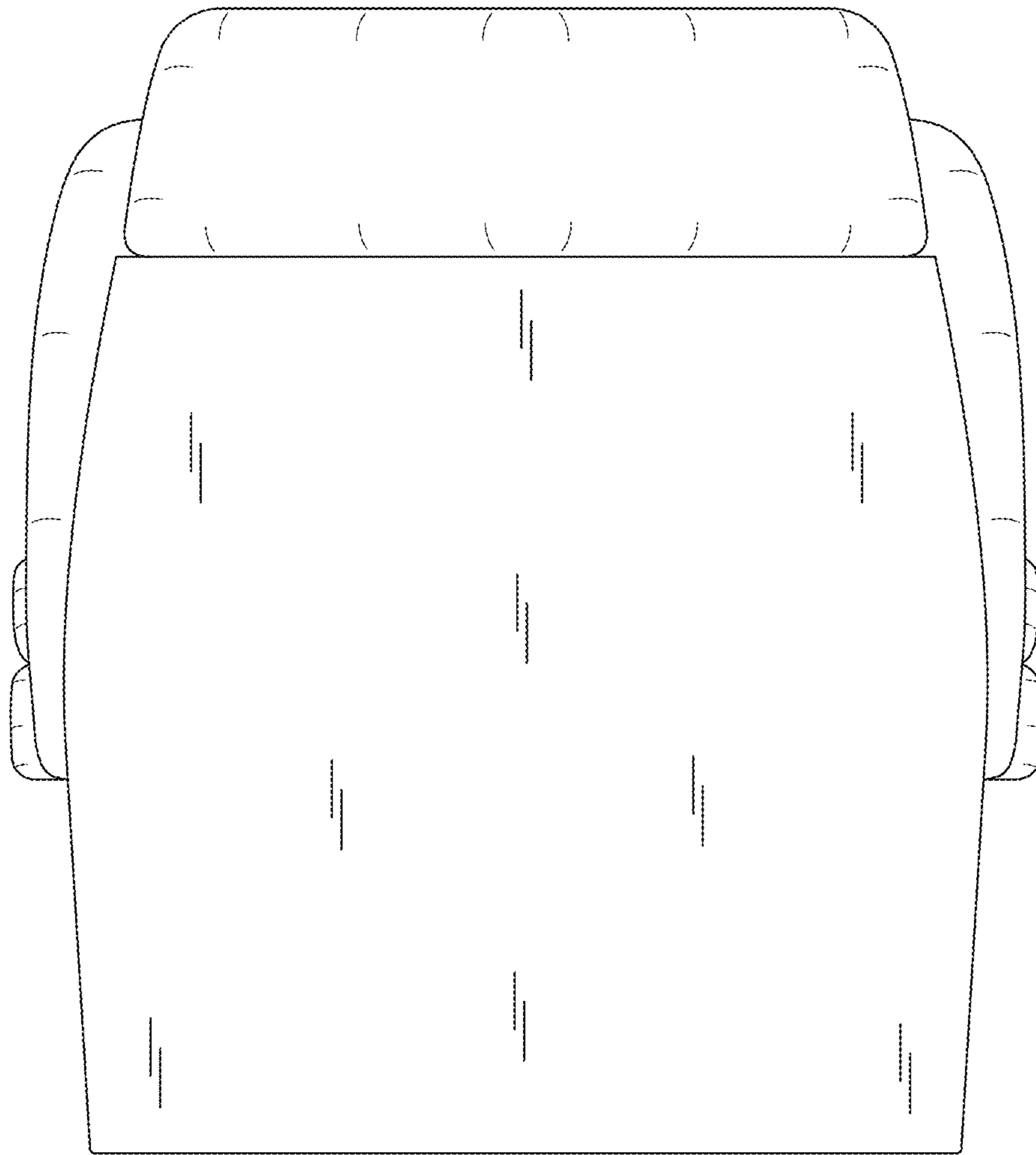


FIG. 3

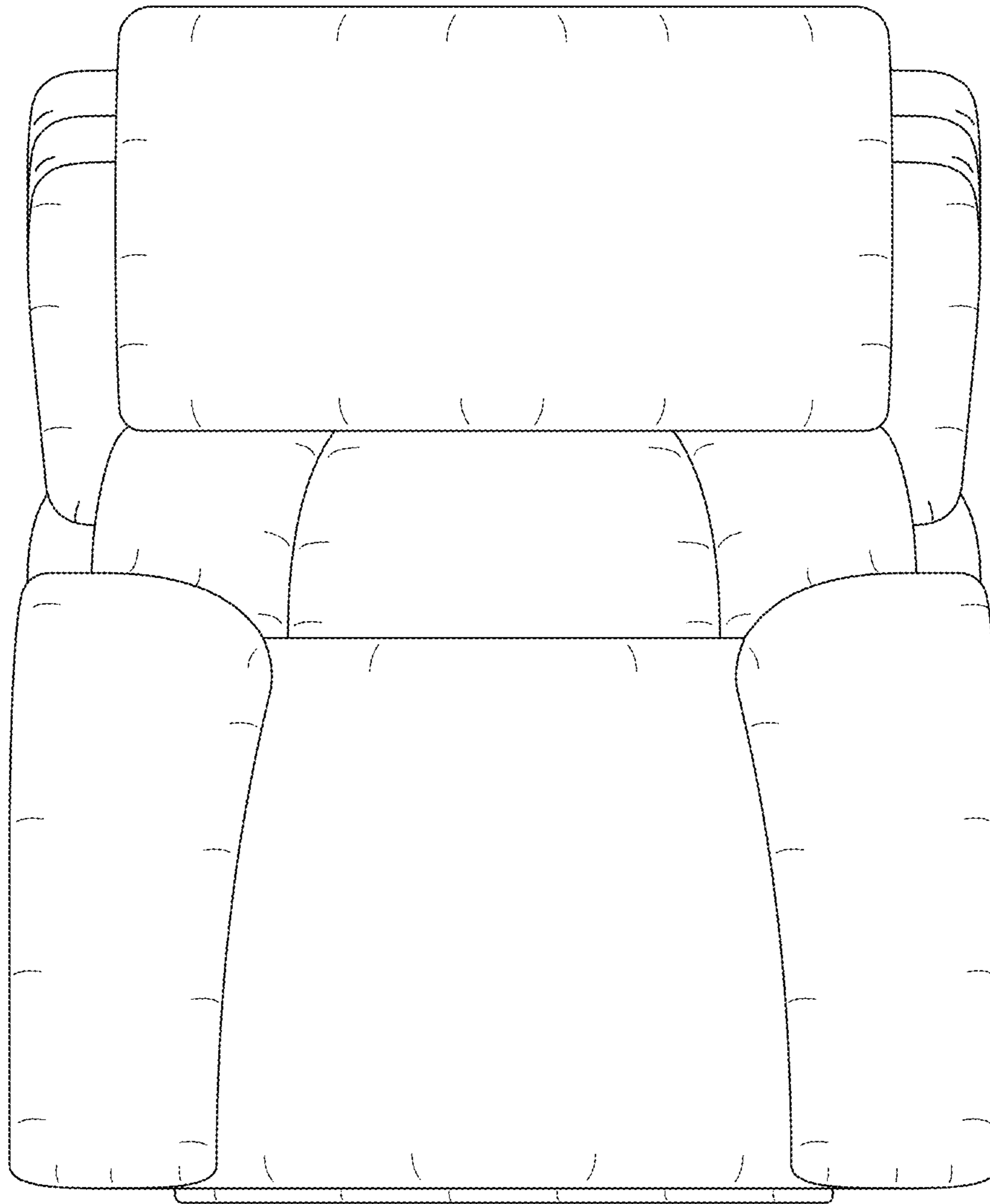


FIG. 4

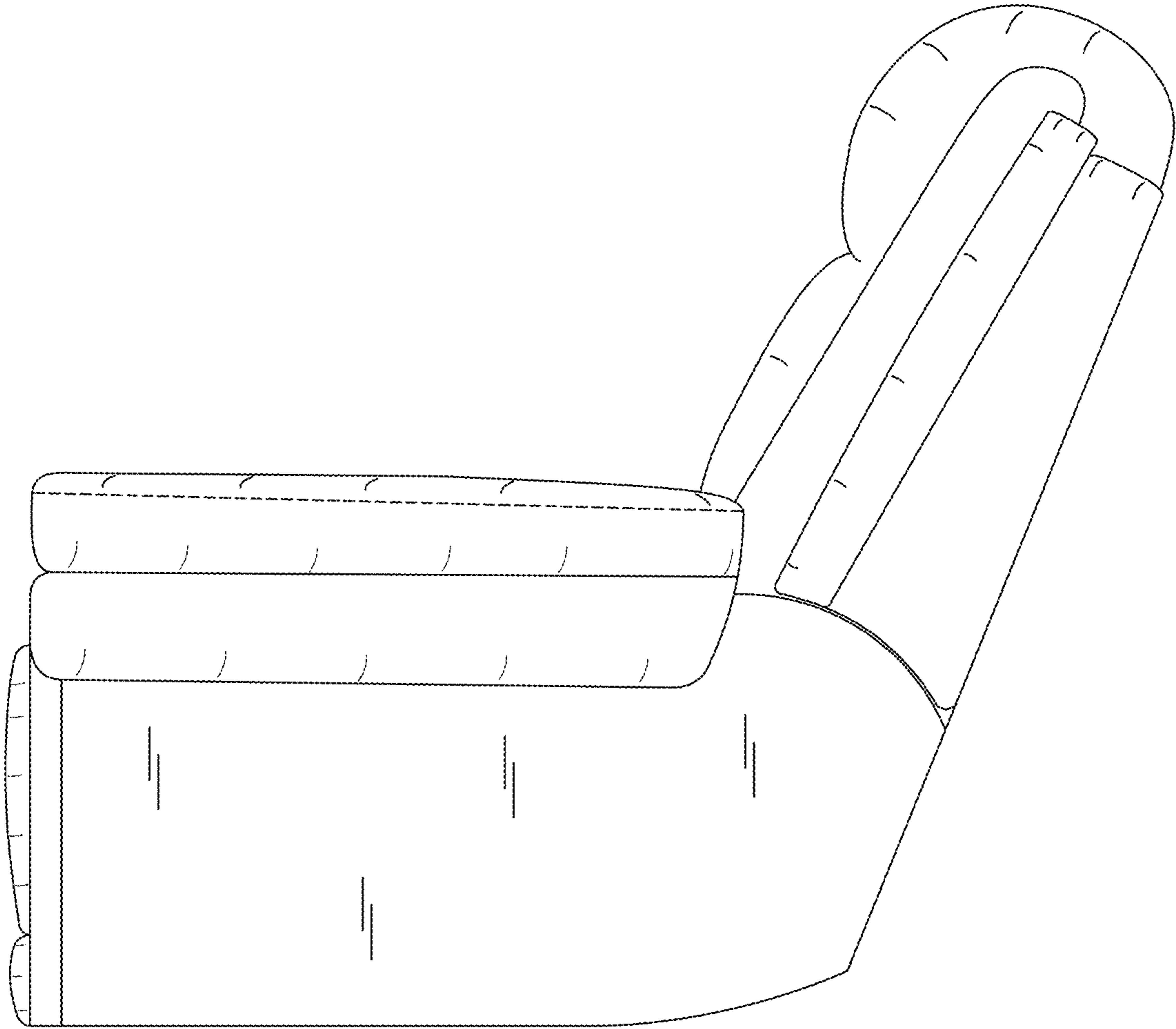


FIG. 5