



US00D803587S

(12) **United States Design Patent** (10) **Patent No.:** **US D803,587 S**
Dix (45) **Date of Patent:** **** Nov. 28, 2017**

- (54) **SEAT**
- (71) Applicant: **SOUTHERN MOTION, INC.,**
Pontotoc, MS (US)
- (72) Inventor: **George K Dix,** Pontotoc, MS (US)
- (73) Assignee: **Southern Motion, Inc.,** Pontotoc, MS
(US)
- (**) Term: **15 Years**
- (21) Appl. No.: **29/577,987**
- (22) Filed: **Sep. 16, 2016**
- (51) **LOC (10) Cl.** **06-01**
- (52) **U.S. Cl.**
USPC **D6/334**
- (58) **Field of Classification Search**
USPC D6/334, 335, 336, 360, 361, 367, 368,
D6/371-375, 379-381, 716, 716.1-716.8
CPC A47C 7/00; A47C 7/62; A47C 7/18; A47C
7/54; A47C 4/00; A47C 4/028; A47C
4/28; A47C 3/16; A47C 3/04; A47C 3/12;
A47C 1/02; A47C 1/14
See application file for complete search history.

D485,687 S *	1/2004	Natuzzi	D6/334
D489,908 S *	5/2004	Ricci	D6/334
D499,263 S *	12/2004	Ricci	D6/334
D501,095 S *	1/2005	Zydko Hoyas	D6/335
D509,074 S *	9/2005	Westendorf	D6/334
D532,619 S *	11/2006	Galardo	D6/364
D551,464 S *	9/2007	Natuzzi	D6/381
D600,031 S *	9/2009	Natuzzi	D6/364
D600,032 S *	9/2009	Natuzzi	D6/364
D619,819 S *	7/2010	Boydak	D6/381
D721,513 S *	1/2015	Adair	D6/381
D740,575 S *	10/2015	Scott	D6/334
D776,450 S *	1/2017	Dix	D6/381

* cited by examiner

Primary Examiner — Deanna L Pratt
(74) *Attorney, Agent, or Firm* — Thomas G. Peterson;
Bradley Arant Boult Cummings LLP

(57) **CLAIM**

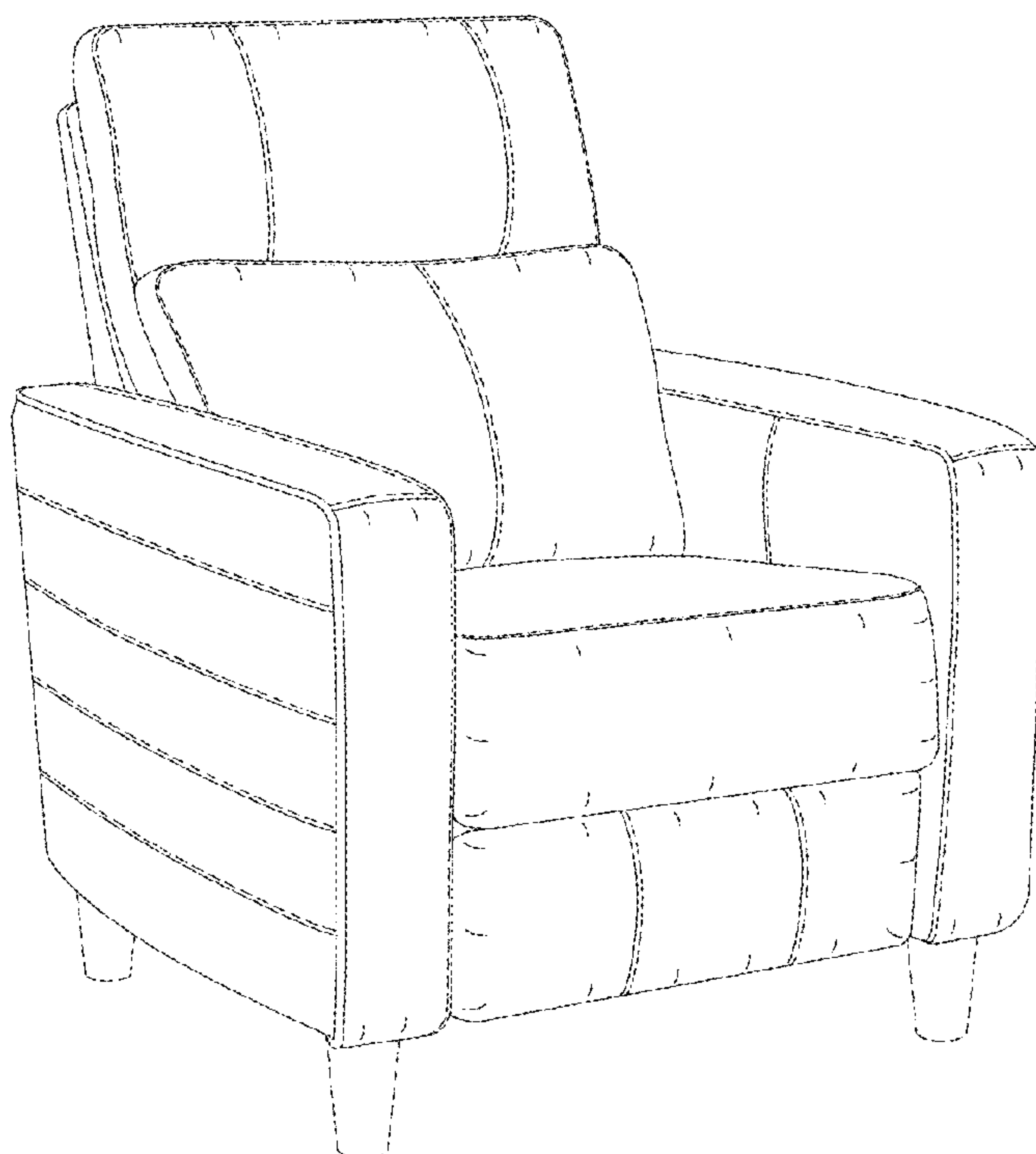
The ornamental design for a seat, as shown and described.

DESCRIPTION

FIG. 1 shows a perspective view of the seat in accordance with the new design.
FIG. 2 shows a front elevation view of the seat.
FIG. 3 shows a rear view of the seat.
FIG. 4 shows a top view of the seat; and,
FIG. 5 shows a side view of the seat.
The broken line showing of stitching on the cushions, arms, and back of the seat illustrates stitching that forms a part of the claimed design. All other broken lines illustrate portions of the seat that form no part of the claimed design.

1 Claim, 5 Drawing Sheets

- (56) **References Cited**
U.S. PATENT DOCUMENTS
D104,824 S * 6/1937 Swearingen D6/334
D239,900 S * 5/1976 Long D6/334
D359,856 S * 7/1995 Hutton D6/334
D424,317 S * 5/2000 Natuzzi D6/334



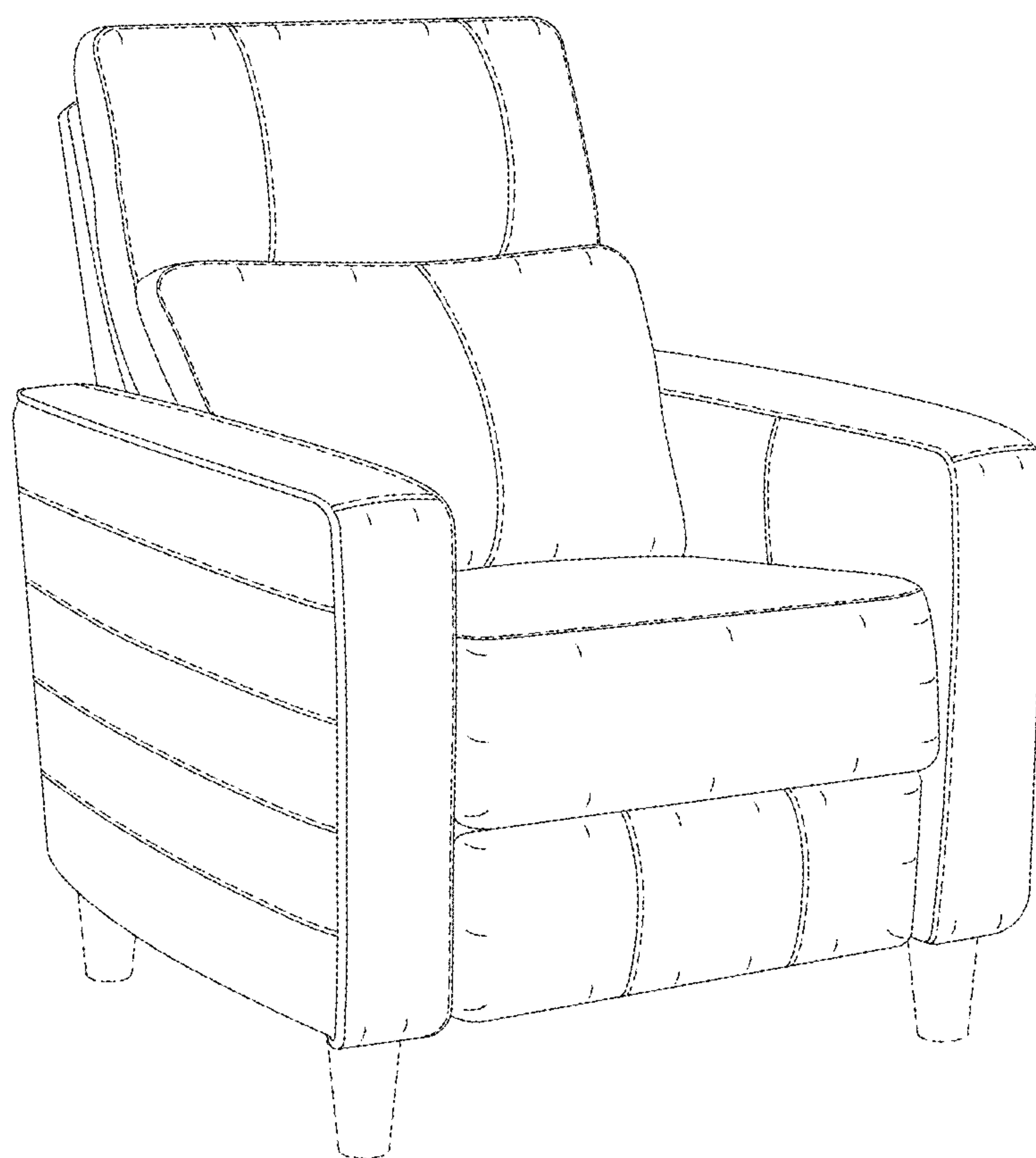


FIG. 1

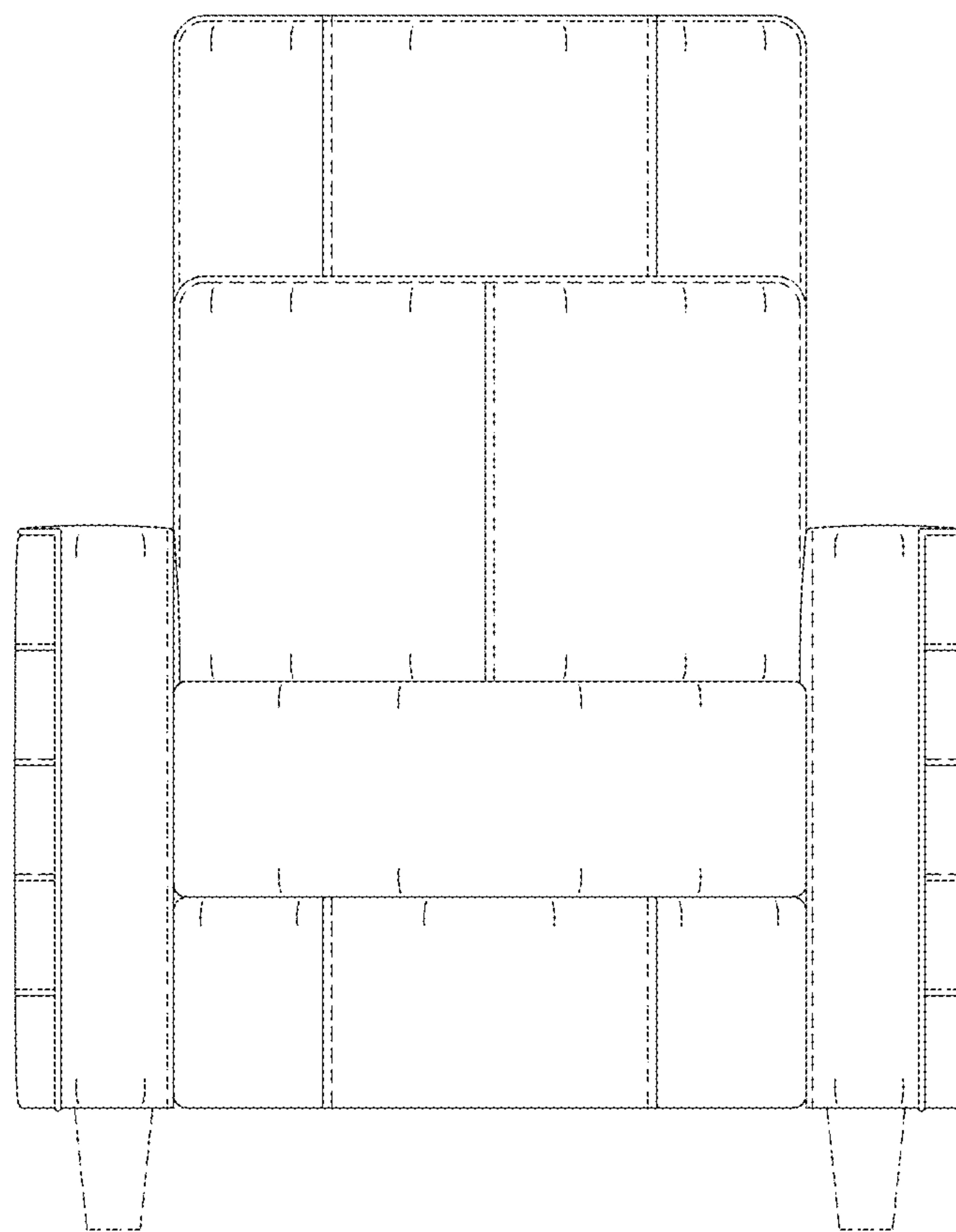


FIG. 2

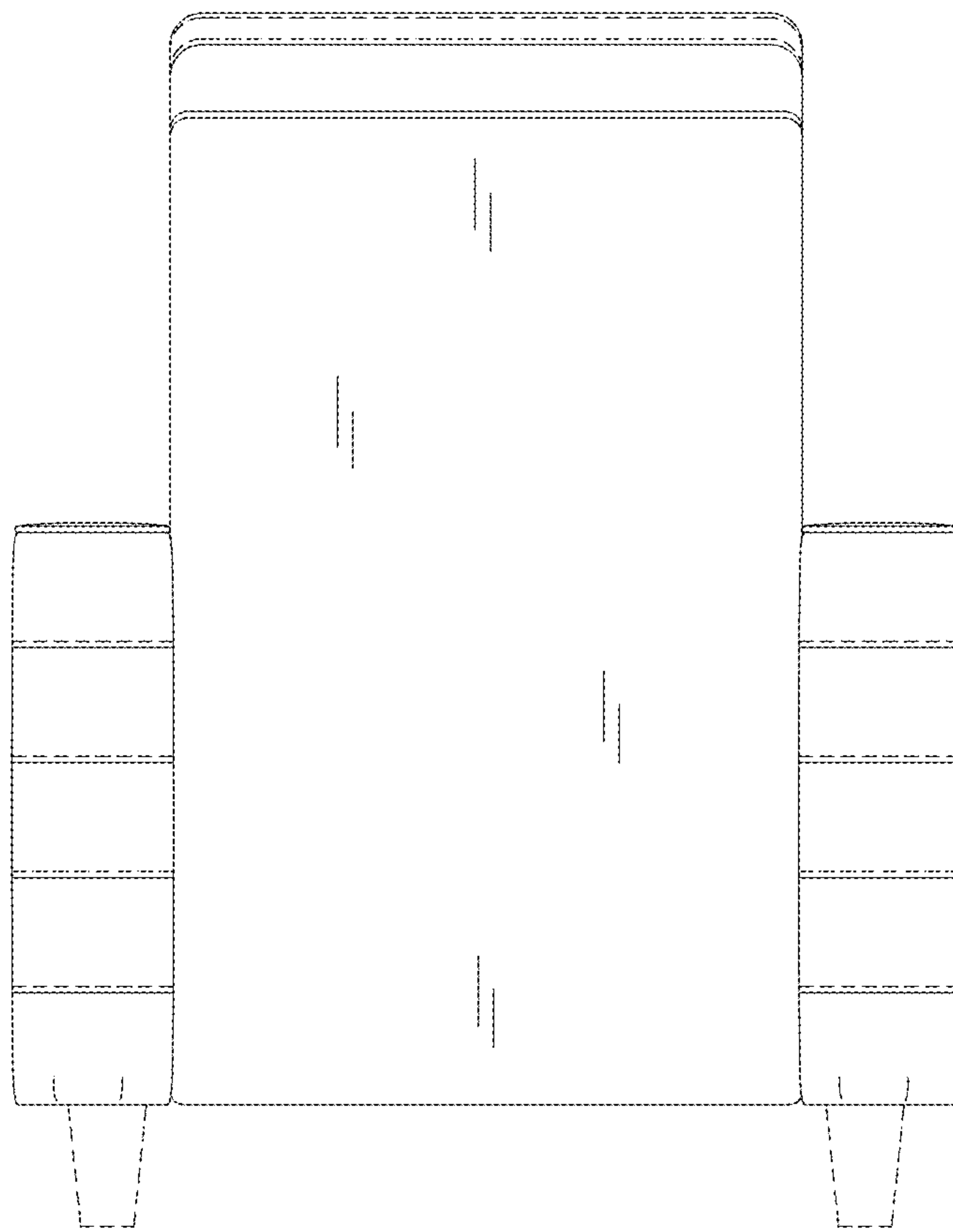


FIG. 3

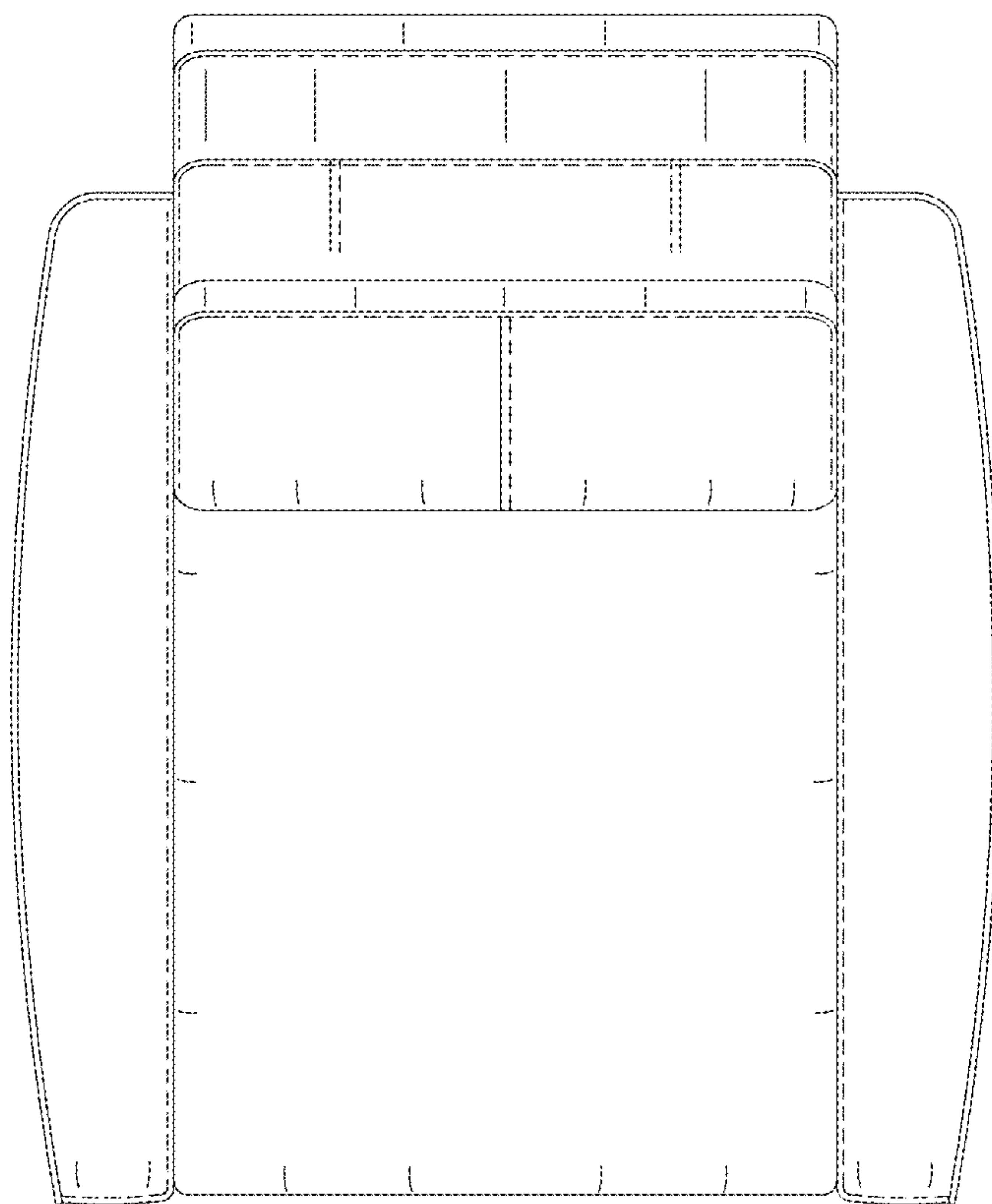


FIG. 4

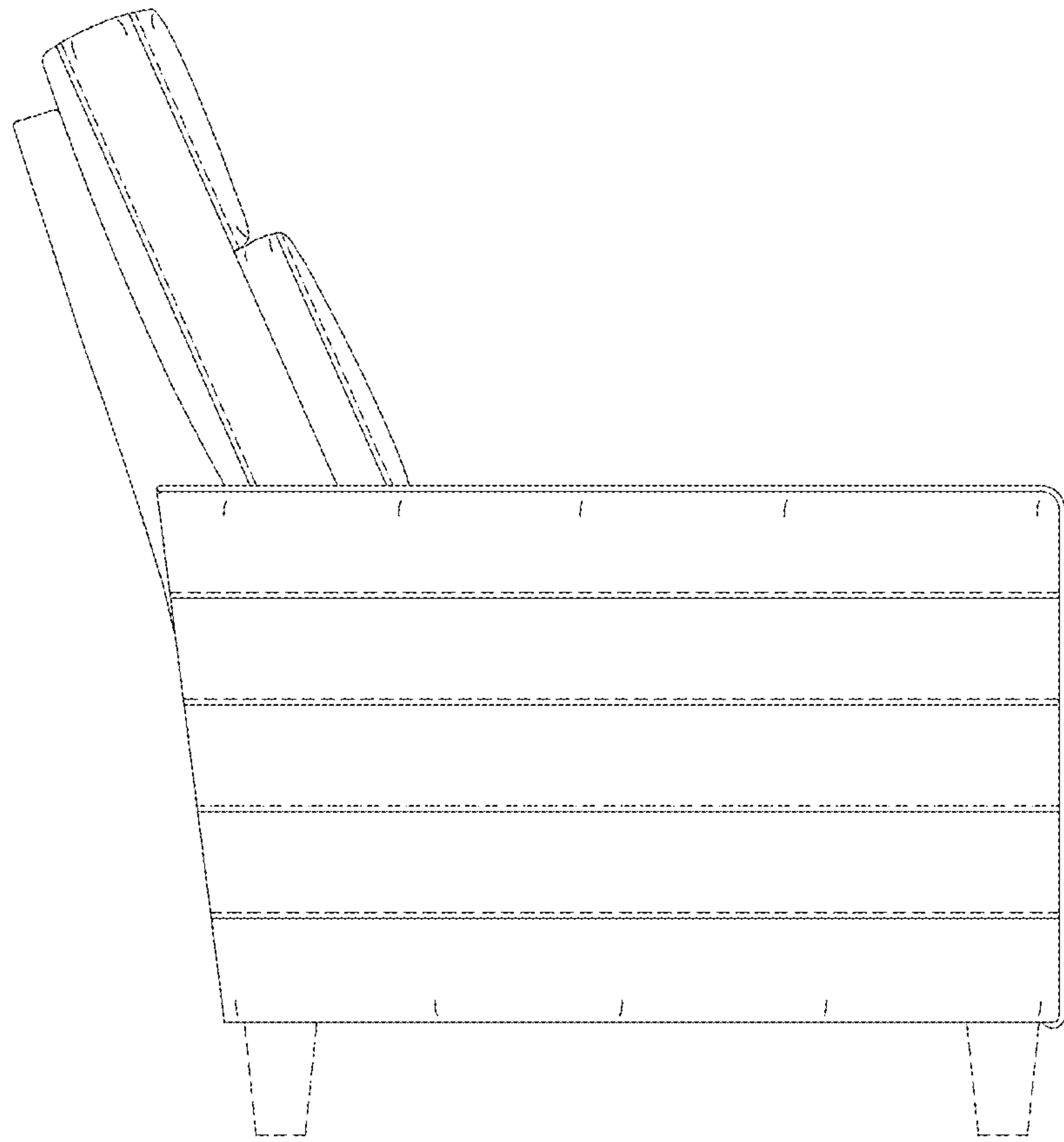


FIG. 5