



US00D803585S

(12) **United States Design Patent**  
**Segasby**

(10) **Patent No.:** **US D803,585 S**

(45) **Date of Patent:** **\*\* \*Nov. 28, 2017**

(54) **FOOTWEAR HANGER**

(71) Applicant: **Phineas Products Limited**, Bristol  
(GB)

(72) Inventor: **Mark Segasby**, Kirby Muxloe (GB)

(73) Assignee: **Phineas Products Limited** (GB)

(\*) Notice: This patent is subject to a terminal disclaimer.

(\*\*) Term: **14 Years**

(21) Appl. No.: **29/526,022**

(22) Filed: **May 5, 2015**

(51) **LOC (10) Cl.** ..... **06-08**

(52) **U.S. Cl.**  
USPC ..... **D6/315**

(58) **Field of Classification Search**  
USPC ..... D6/315-328; 223/85-98; 211/1, 13.1,  
211/34, 85.3, 113  
CPC ..... A47G 25/005; A47G 25/28; A47G 25/36;  
A47G 25/743; A47G 25/1457; A47F  
7/08; A47F 7/19  
See application file for complete search history.

(56) **References Cited**

**U.S. PATENT DOCUMENTS**

D296,046 S \* 6/1988 Marshall ..... D6/315  
4,823,962 A \* 4/1989 Arias ..... A47G 25/005  
211/113  
4,978,043 A \* 12/1990 Uke ..... A47G 25/16  
211/113

D324,781 S \* 3/1992 Uke ..... D6/315  
D342,612 S \* 12/1993 McIntyre ..... D6/315  
D393,751 S \* 4/1998 Liang ..... D6/315  
7,219,821 B2 \* 5/2007 Weal ..... A47G 25/005  
223/85  
D553,864 S \* 10/2007 Weal ..... D6/315  
D631,671 S \* 2/2011 Segasby ..... D6/315  
8,651,344 B2 \* 2/2014 Norman ..... A47G 25/005  
223/87  
D703,449 S \* 4/2014 Collings ..... D6/323  
D735,027 S \* 7/2015 Fildan ..... D9/415  
2002/0104858 A1 \* 8/2002 Woodworth ..... A47G 25/483  
223/85  
2011/0247185 A1 \* 10/2011 Bolden ..... A43B 3/00  
24/716  
2013/0221040 A1 \* 8/2013 Wright ..... A47G 25/005  
223/85

\* cited by examiner

*Primary Examiner* — Lauren Calve

(74) *Attorney, Agent, or Firm* — Tumey L.L.P.

(57) **CLAIM**

The ornamental design for a footwear hanger, as shown and described.

**DESCRIPTION**

FIG. 1 is a rear view of a footwear hanger showing the new design;

FIG. 2 is a side view thereof;

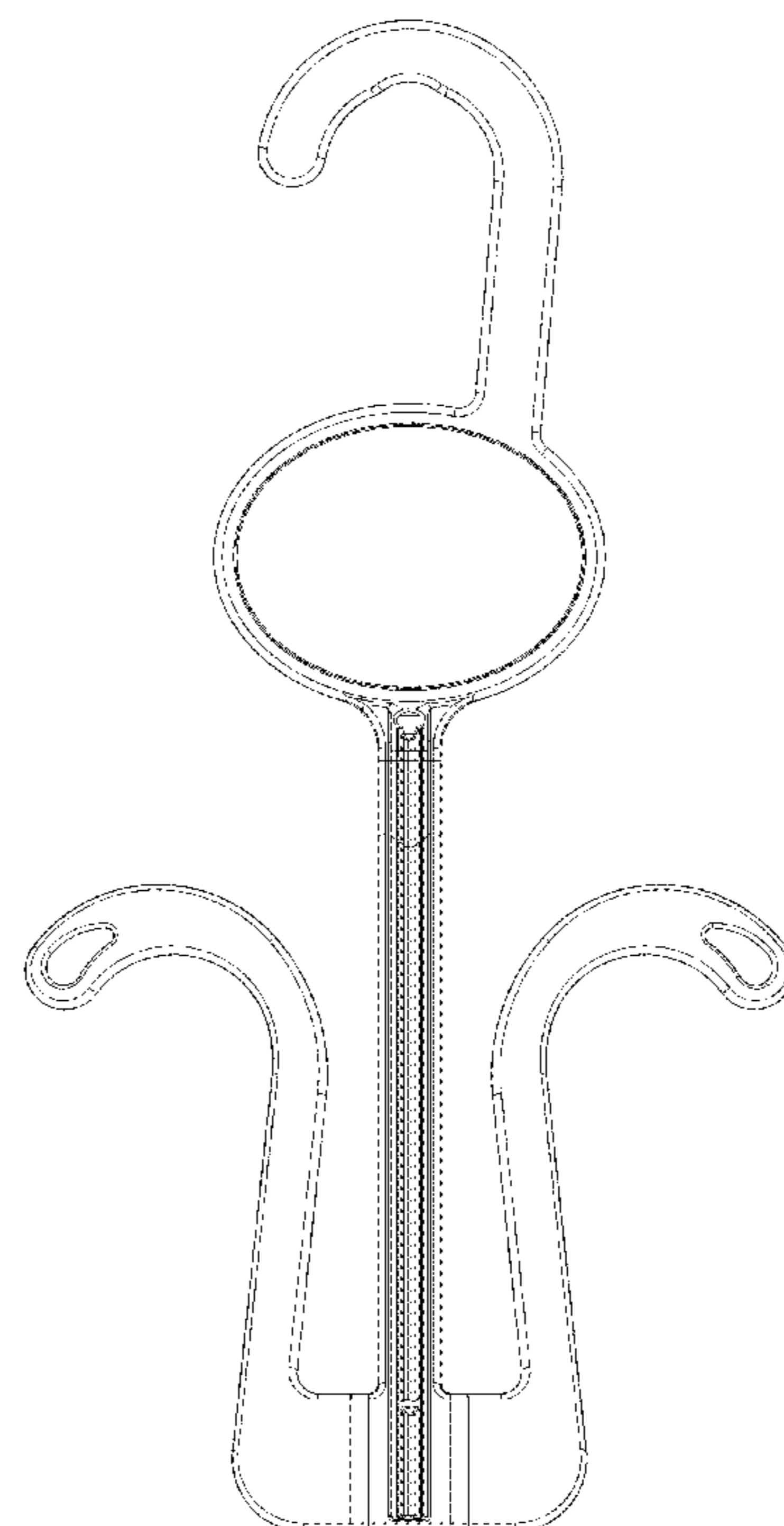
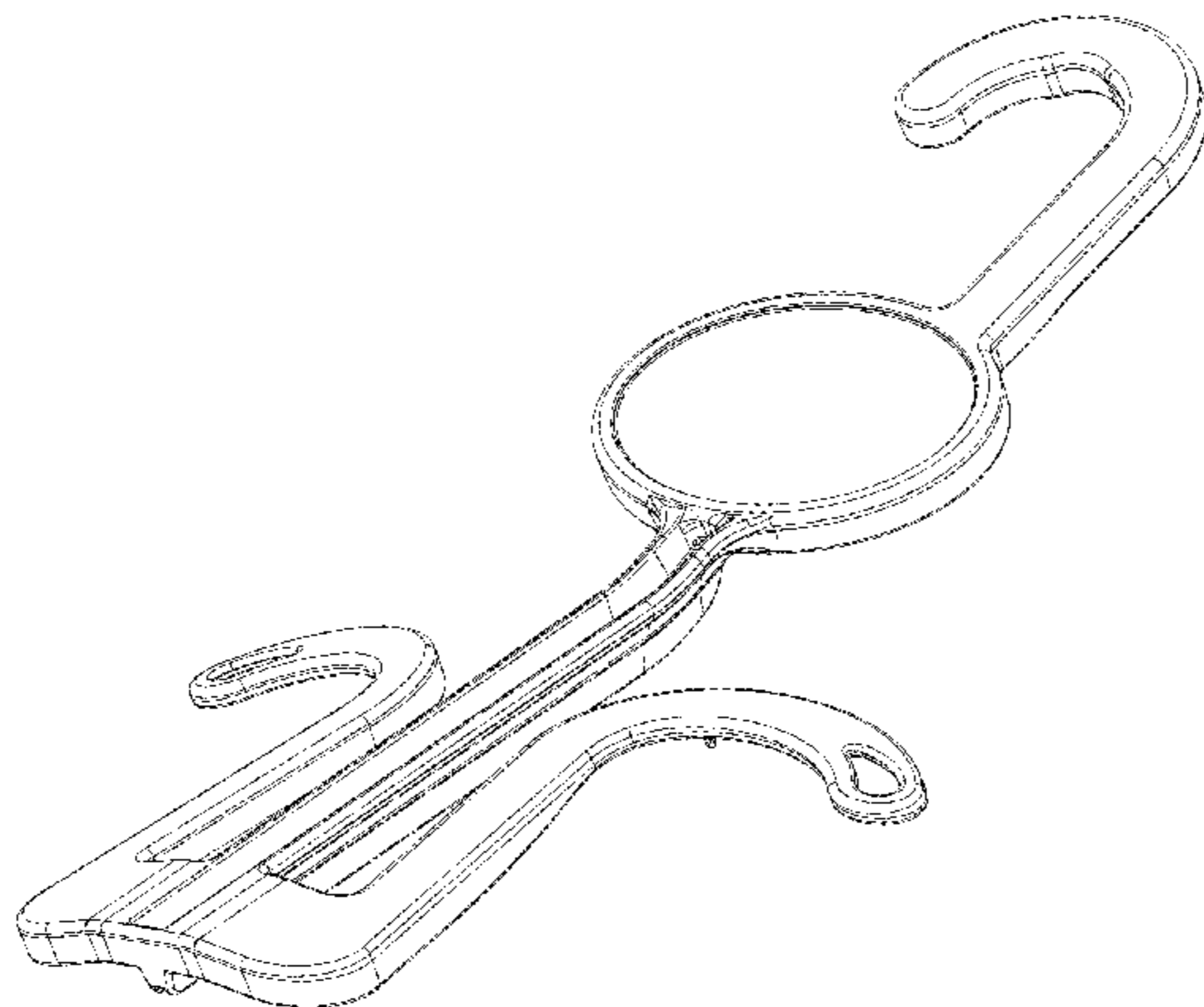
FIG. 3 is a top view thereof;

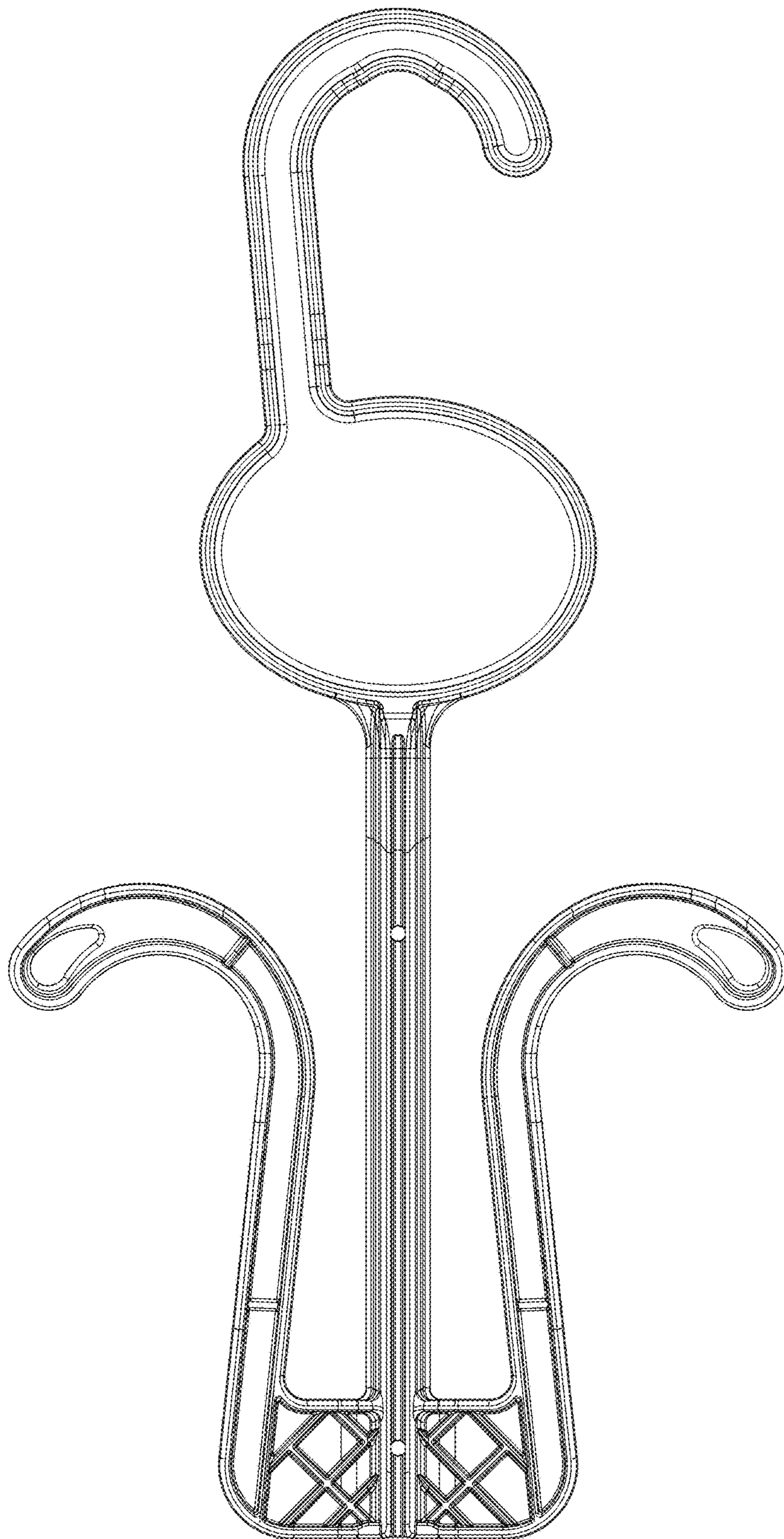
FIG. 4 is a bottom view thereof;

FIG. 5 is a front, bottom, and side perspective view thereof; and,

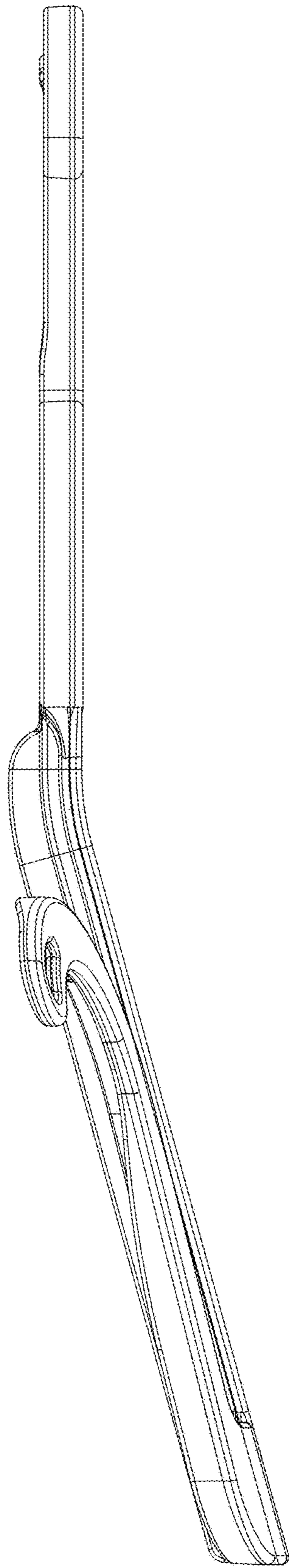
FIG. 6 is a front view thereof.

**1 Claim, 6 Drawing Sheets**

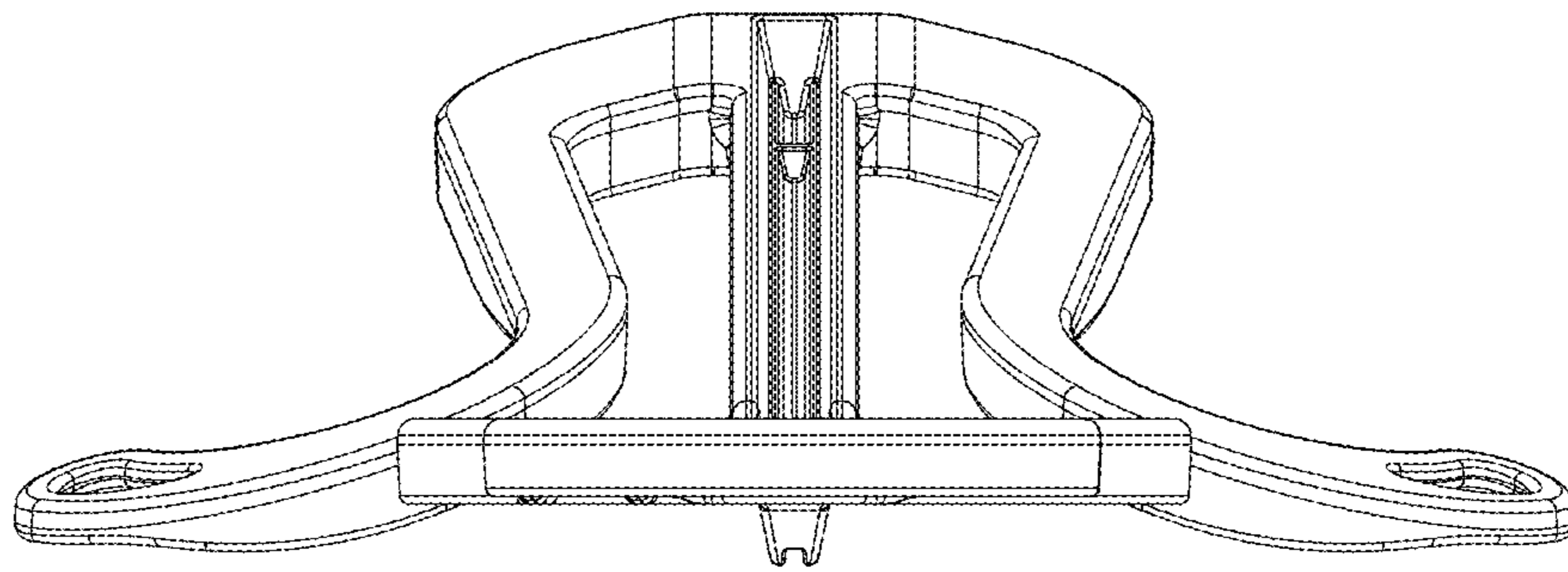




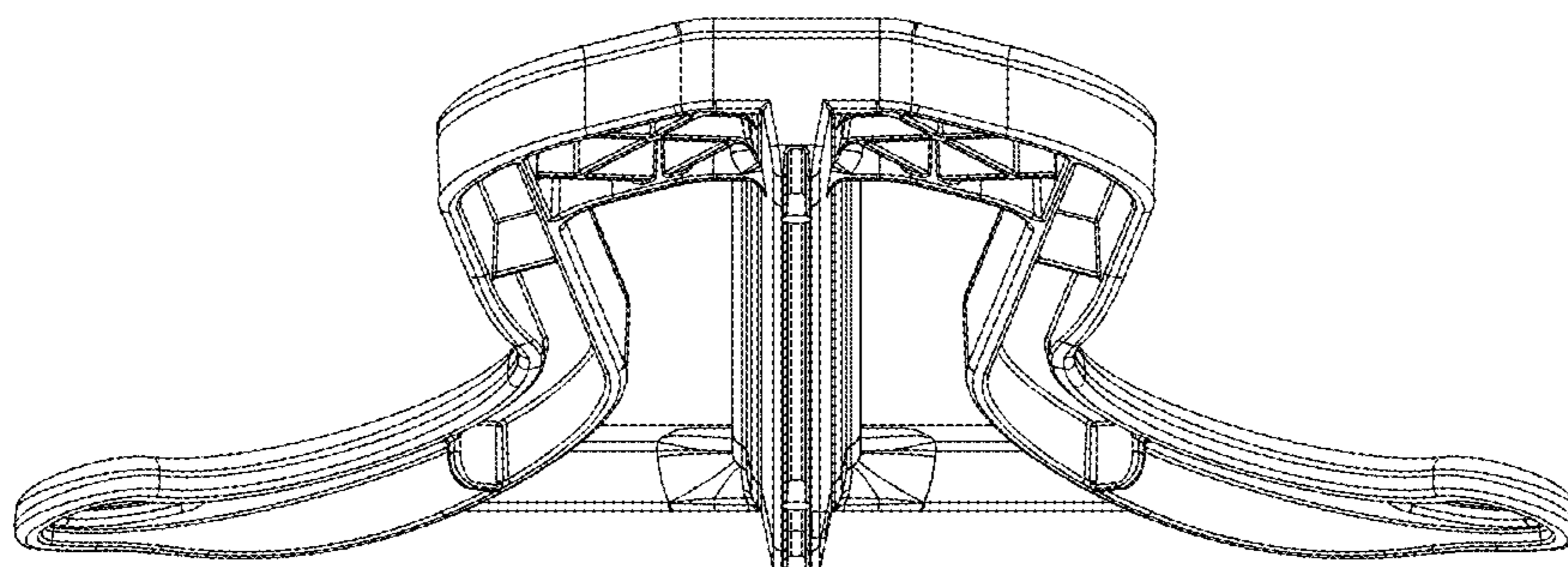
**FIG. 1**



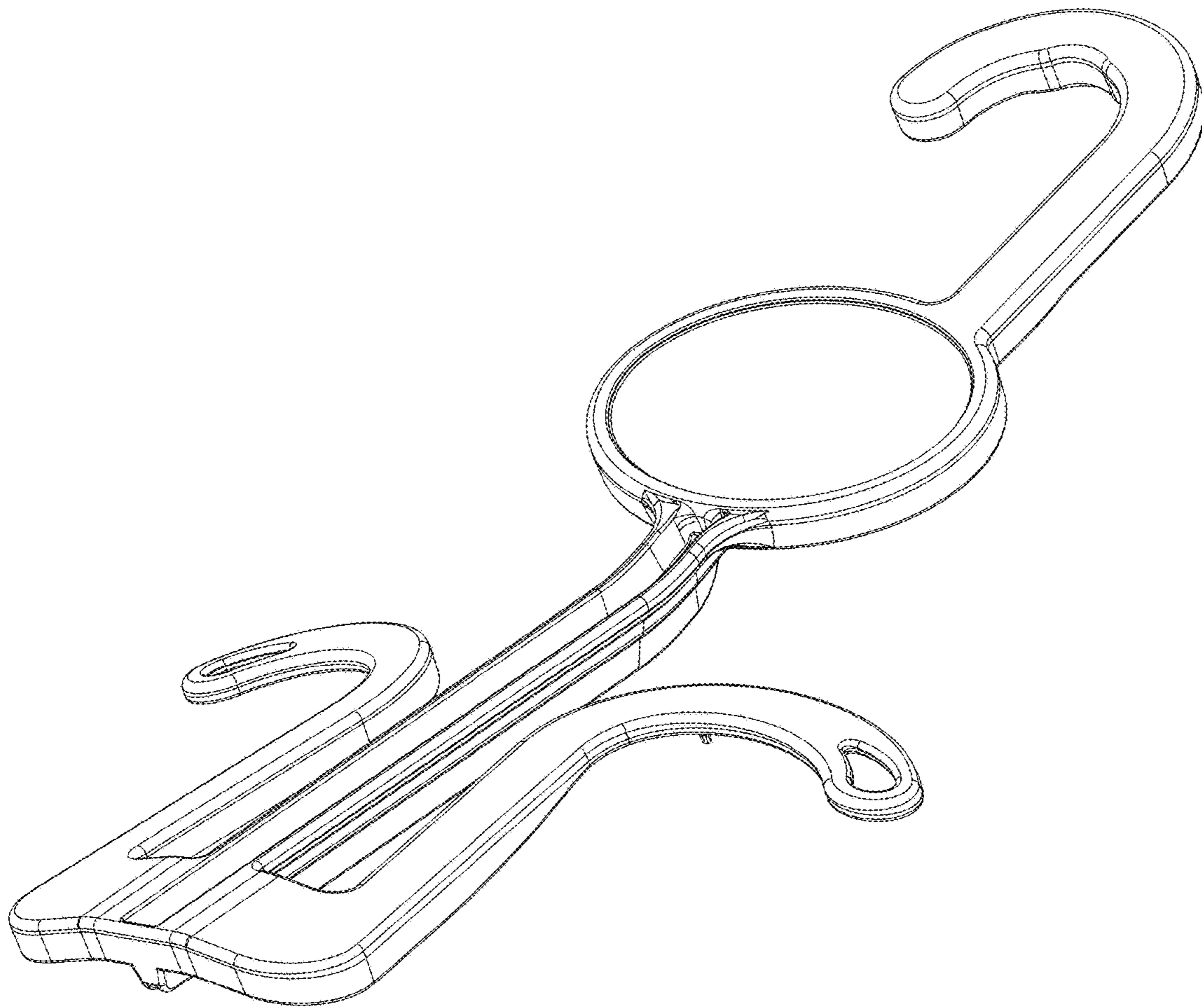
**FIG. 2**



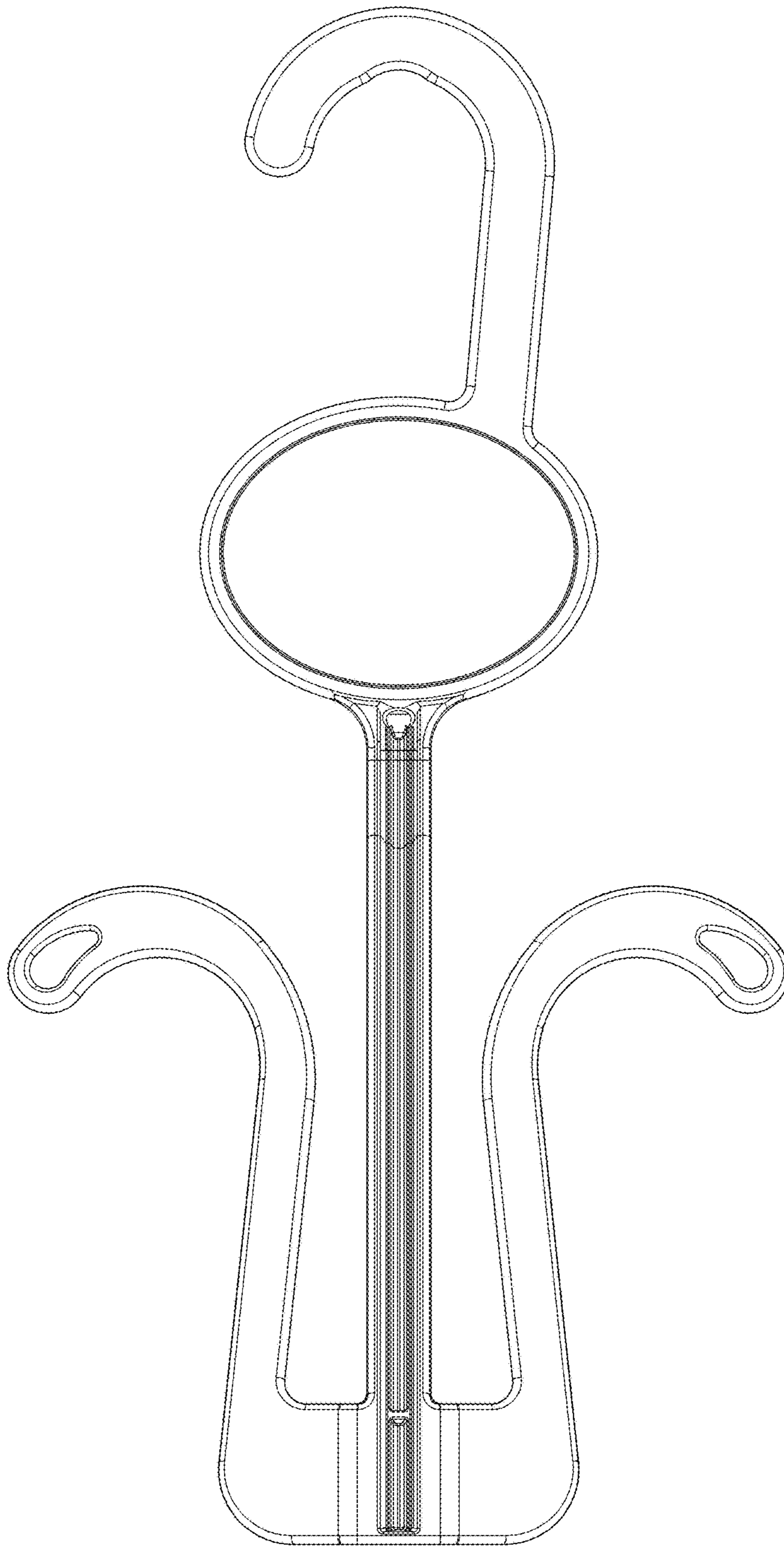
**FIG. 3**



**FIG. 4**



**FIG. 5**



**FIG. 6**