



US00D803584S

(12) **United States Design Patent** (10) **Patent No.:** **US D803,584 S**
Segasby (45) **Date of Patent:** **** *Nov. 28, 2017**

(54) **FOOTWEAR HANGER**
(71) Applicant: **Phineas Products Limited**, Bristol (GB)
(72) Inventor: **Mark Segasby**, Kirby Muxloe (GB)
(73) Assignee: **Phineas Products Limited** (GB)
(*) Notice: This patent is subject to a terminal disclaimer.
(**) Term: **14 Years**
(21) Appl. No.: **29/526,020**
(22) Filed: **May 5, 2015**

(30) **Foreign Application Priority Data**
Nov. 5, 2014 (EM) 002571570
(51) **LOC (10) Cl.** **06-08**
(52) **U.S. Cl.**
USPC **D6/315**
(58) **Field of Classification Search**
USPC D6/315-328; 223/85-98; 211/1, 13.1, 211/34, 85.3, 113
CPC A47G 25/005; A47G 25/28; A47G 25/36; A47G 25/743; A47G 25/1457; A47F 7/08; A47F 7/19
See application file for complete search history.

(56) **References Cited**
U.S. PATENT DOCUMENTS
D296,046 S * 6/1988 Marshall D6/315
4,823,962 A * 4/1989 Arias A47G 25/005
211/113

4,978,043 A * 12/1990 Uke A47G 25/16
211/113
D324,781 S * 3/1992 Uke D6/315
D342,612 S * 12/1993 McIntyre D6/315
D393,751 S * 4/1998 Liang D6/315
7,219,821 B2 * 5/2007 Weal A47G 25/005
223/85
D553,864 S * 10/2007 Weal D6/315
D631,671 S * 2/2011 Segasby D6/315
8,651,344 B2 * 2/2014 Norman A47G 25/005
223/87
D703,449 S * 4/2014 Collings D6/323
D735,027 S * 7/2015 Fildan D9/415
2002/0104858 A1 * 8/2002 Woodworth A47G 25/483
223/85
2011/0247185 A1 * 10/2011 Bolden A43B 3/00
24/716
2013/0221040 A1 * 8/2013 Wright A47G 25/005
223/85

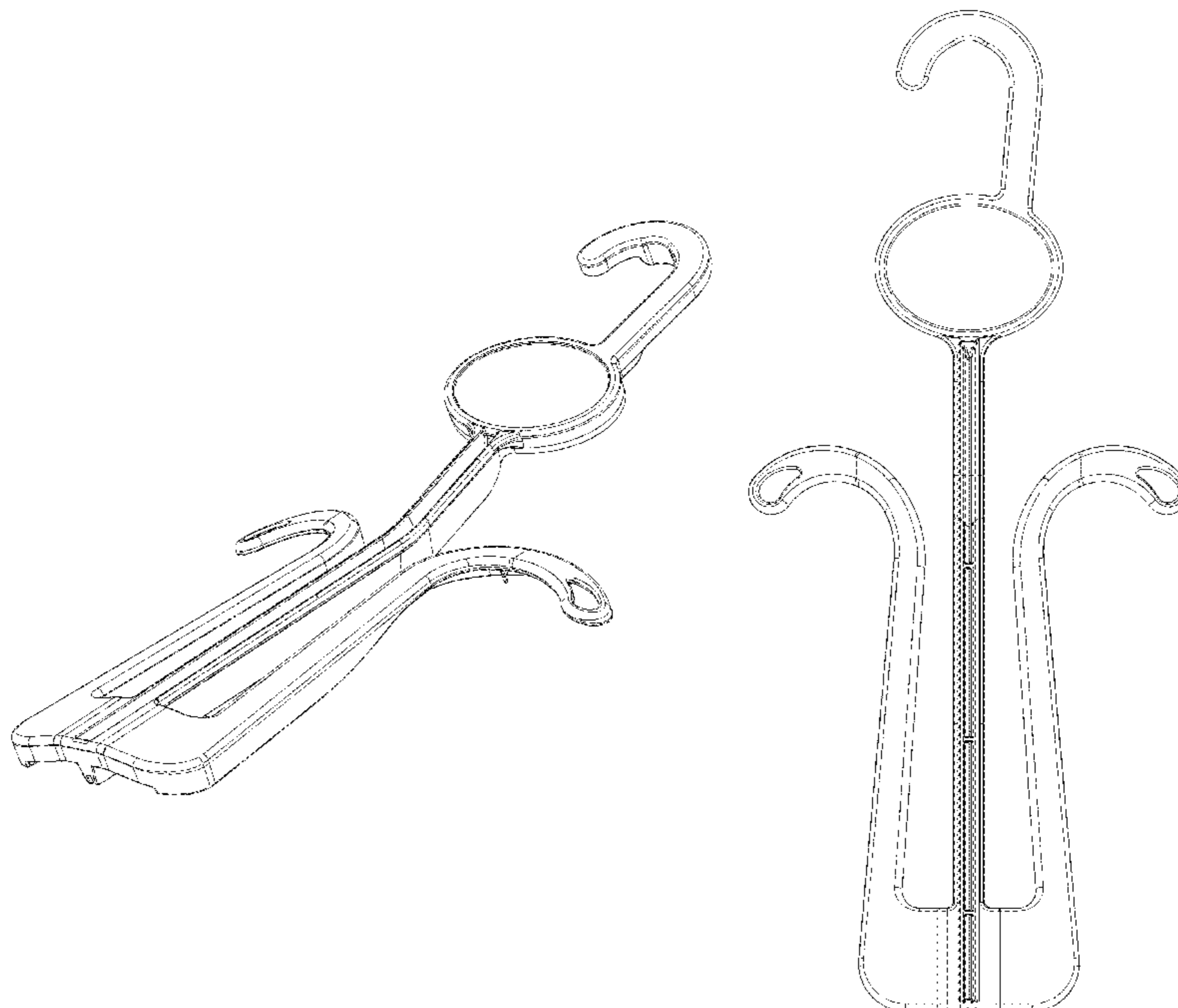
* cited by examiner

Primary Examiner — Lauren Calve
(74) *Attorney, Agent, or Firm* — Tumey L.L.P.

(57) **CLAIM**
The ornamental design for a footwear hanger, as shown and described.

DESCRIPTION
FIG. 1 is a bottom view of a footwear hanger showing the new design;
FIG. 2 is a front, bottom, side perspective view of the footwear hanger of FIG. 1;
FIG. 3 is a rear view of the footwear hanger of FIG. 1;
FIG. 4 is a side view of the footwear hanger of FIG. 1;
FIG. 5 is a top view of the footwear hanger of FIG. 1; and,
FIG. 6 is a front view of the footwear hanger of FIG. 1.

1 Claim, 6 Drawing Sheets



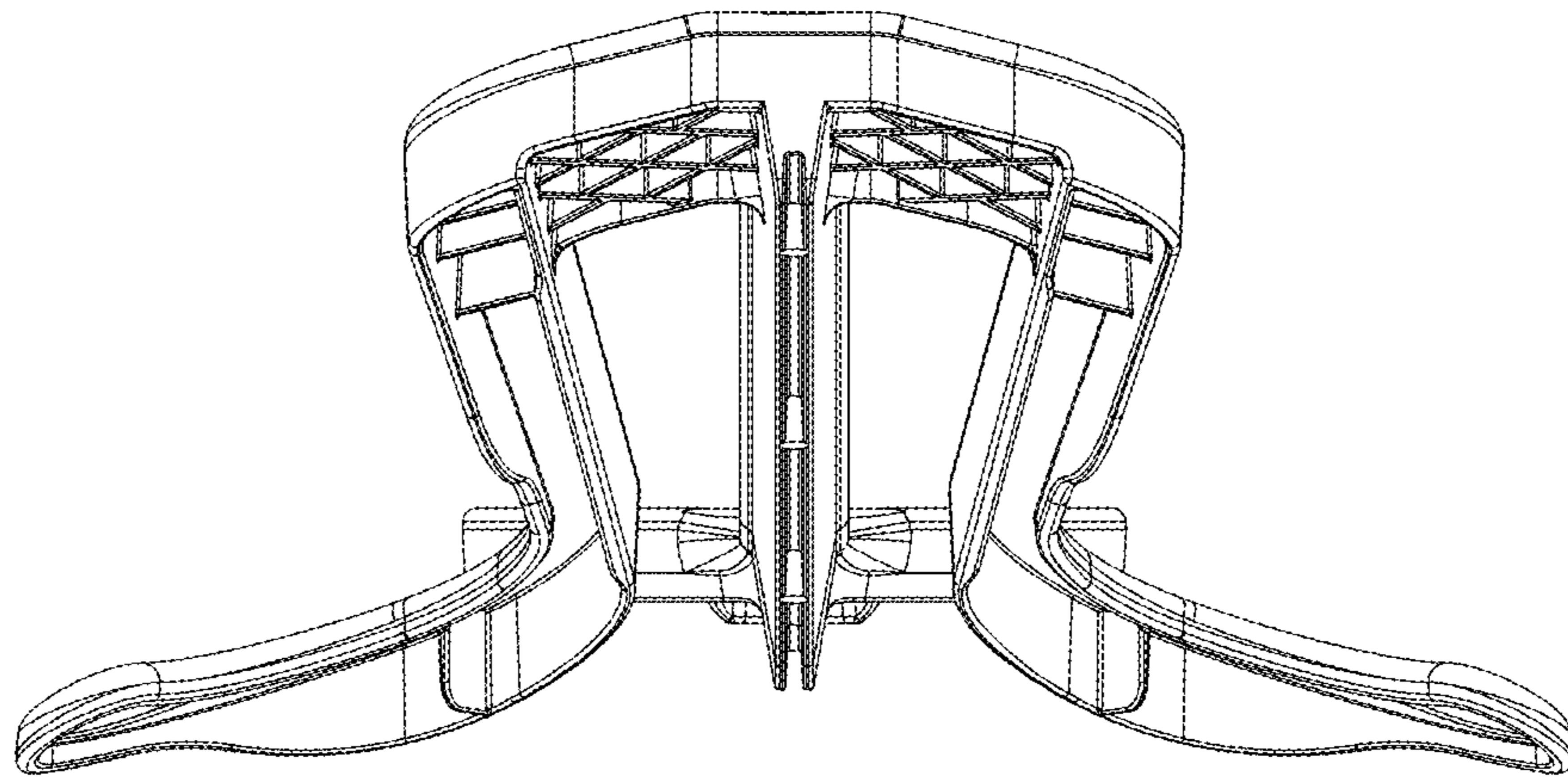


FIG. 1

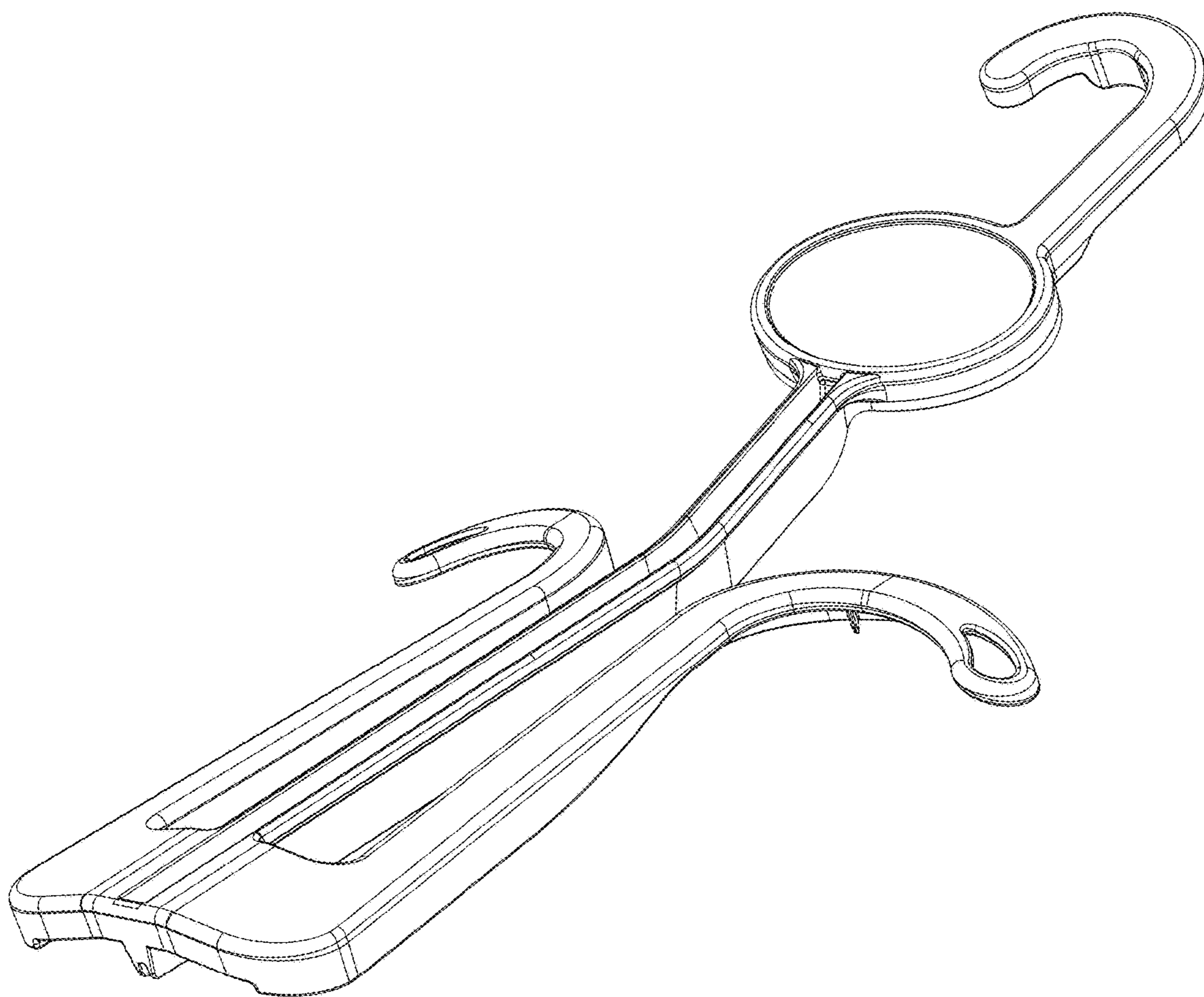


FIG. 2

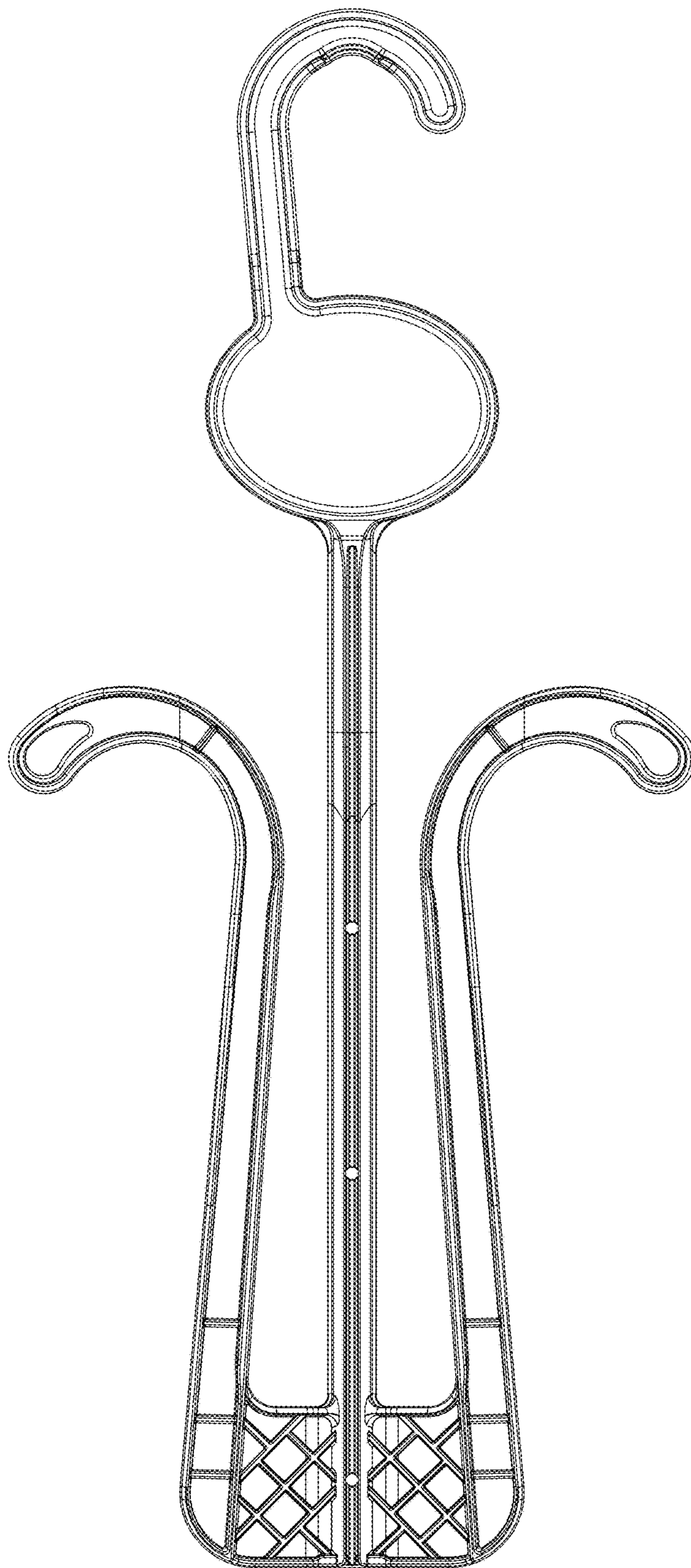


FIG. 3

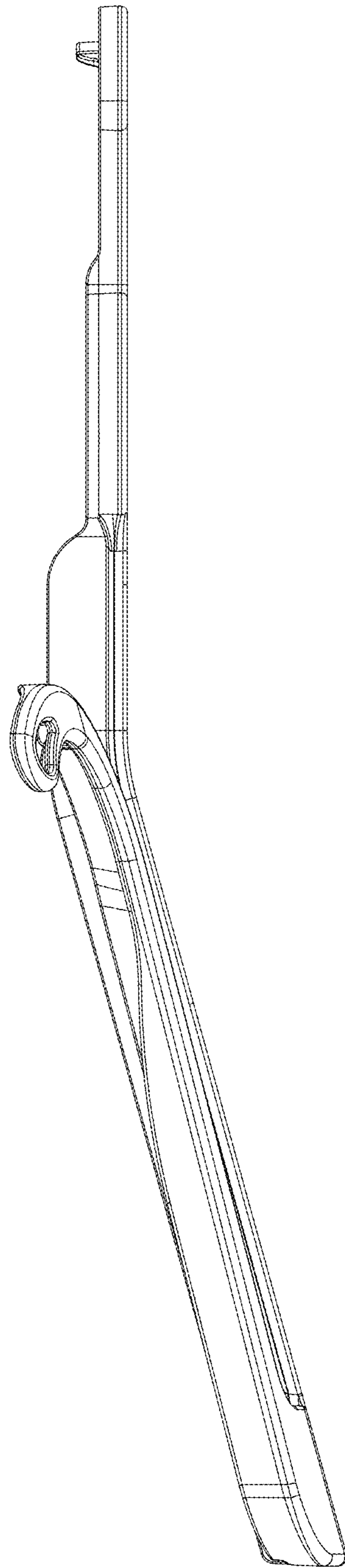


FIG. 4

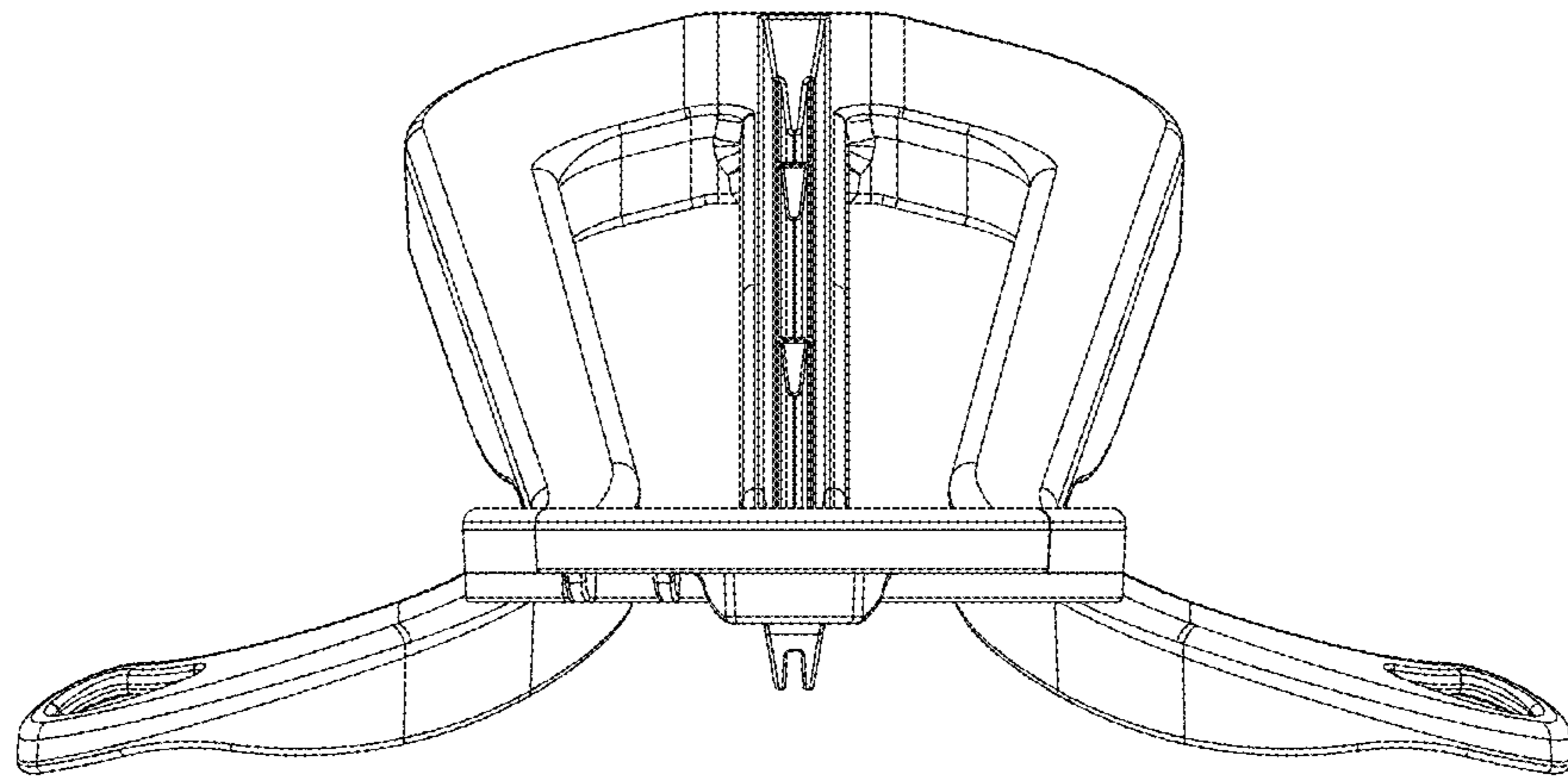


FIG. 5

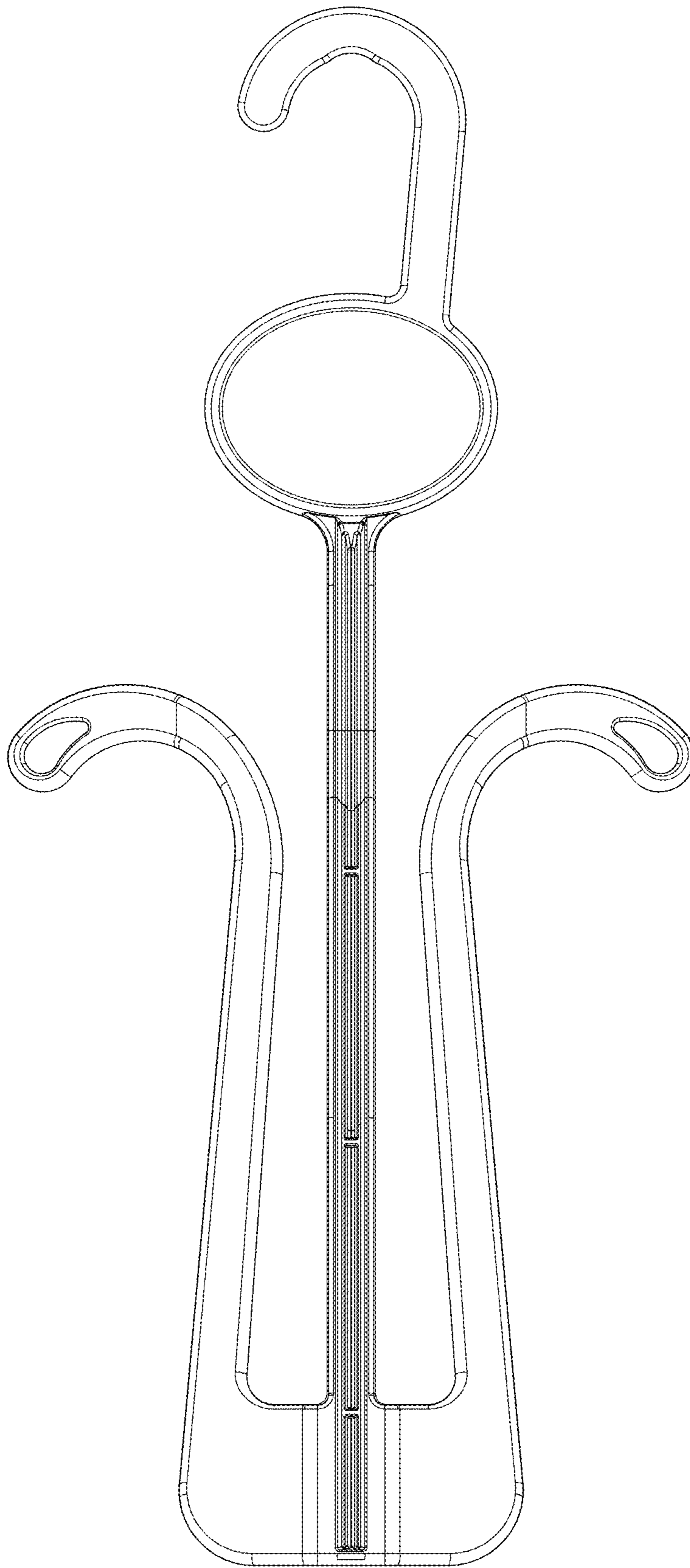


FIG. 6