



US00D803583S

(12) **United States Design Patent**
Nikolov et al.

(10) **Patent No.:** **US D803,583 S**

(45) **Date of Patent:** **** Nov. 28, 2017**

(54) **MIRROR**
(71) Applicant: **Synergy Products, Inc.**, Chicago, IL (US)
(72) Inventors: **Simeon Nikolov**, Chicago, IL (US);
Evan Ward, Chicago, IL (US)
(73) Assignee: **Synergy Products, Inc.**, Chicago, IL (US)
(**) Term: **15 Years**

763,380 A * 6/1904 Eble et al. F16C 11/106
160/335
878,098 A * 2/1908 Sutton A47B 57/045
248/283.1
1,994,126 A 3/1935 Eddy
D95,698 S * 5/1935 Milliken D6/309
2,465,428 A 3/1949 Brown
2,489,506 A 11/1949 Seutin
2,763,186 A 9/1956 Barlow
D225,285 S * 11/1972 Heckathorn D6/309
3,730,612 A 5/1973 Arroyo
4,775,231 A 10/1988 Granzow
D307,678 S * 5/1990 Lookerse D6/312

(Continued)

(21) Appl. No.: **29/564,303**
(22) Filed: **May 12, 2016**

FOREIGN PATENT DOCUMENTS

CN 201640859 4/2010

Primary Examiner — Deanna L Pratt

(74) Attorney, Agent, or Firm — Stephen T. Scherrer;
Monique A. Morneault; Scherrer Patent & Trademark
Law, P.C.

Related U.S. Application Data

(63) Continuation-in-part of application No. 14/794,896,
filed on Jul. 9, 2015.

(51) **LOC (10) Cl.** **06-07**

(52) **U.S. Cl.**
USPC **D6/300**

(58) **Field of Classification Search**
USPC D6/300, 301, 302, 308–314, 324, 524,
D6/547, 548; D14/452; D26/61, 63, 65
CPC A45D 42/00; A45D 42/08; A45D 42/16;
A45D 42/18; A47G 1/04; A47G 1/24
See application file for complete search history.

(57) **CLAIM**

The ornamental design for a mirror, as shown and described.

DESCRIPTION

FIG. 1 is a perspective view of an embodiment of a mirror showing our new design in a closed position;
FIG. 2 is a perspective view of the mirror in an open position;
FIG. 3 is a front view of the mirror;
FIG. 4 is a right side view of the mirror;
FIG. 5 is a left side view of the mirror;
FIG. 6 is a top plan view of the mirror; and,
FIG. 7 is a bottom plan view of the mirror.

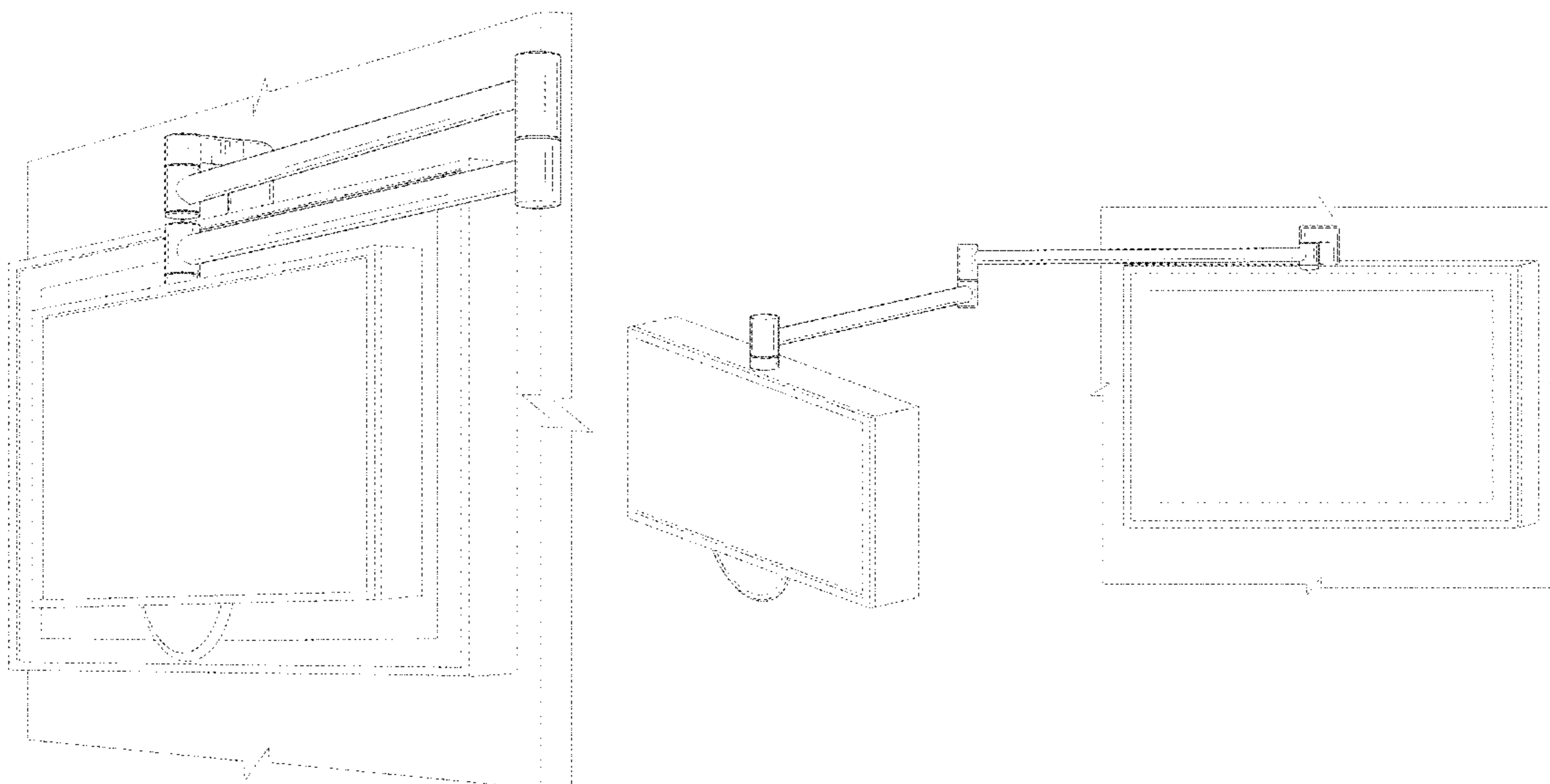
The portions of the mirror shown in broken lines illustrate portions of the mirror that form no part of the claimed design. The remaining broken lines illustrate the environment of the claimed design and form no part thereof.

(56) **References Cited**

U.S. PATENT DOCUMENTS

71,320 A 11/1867 Neagle
84,943 A 12/1868 Furber
115,898 A 6/1871 Roberts
207,579 A 8/1878 Wilcox
381,452 A * 4/1888 Wiederer B60R 1/081
359/854
751,290 A 2/1904 Jaeger

1 Claim, 5 Drawing Sheets



(56)

References Cited

U.S. PATENT DOCUMENTS

D328,195 S * 7/1992 Kotsuka D6/324
6,565,220 B1 * 5/2003 Hayward G02B 7/1824
248/477
D549,968 S * 9/2007 Pitot D6/312
D555,657 S * 11/2007 Loyd D14/452
D556,205 S * 11/2007 Wohlford D14/452
7,300,169 B1 11/2007 Yue
D688,674 S * 8/2013 Lau D14/452
D737,580 S * 9/2015 Tsai D6/300
D751,829 S * 3/2016 Yang D6/309
2016/0051034 A1 * 2/2016 Nikolov A47G 1/04
359/860

* cited by examiner

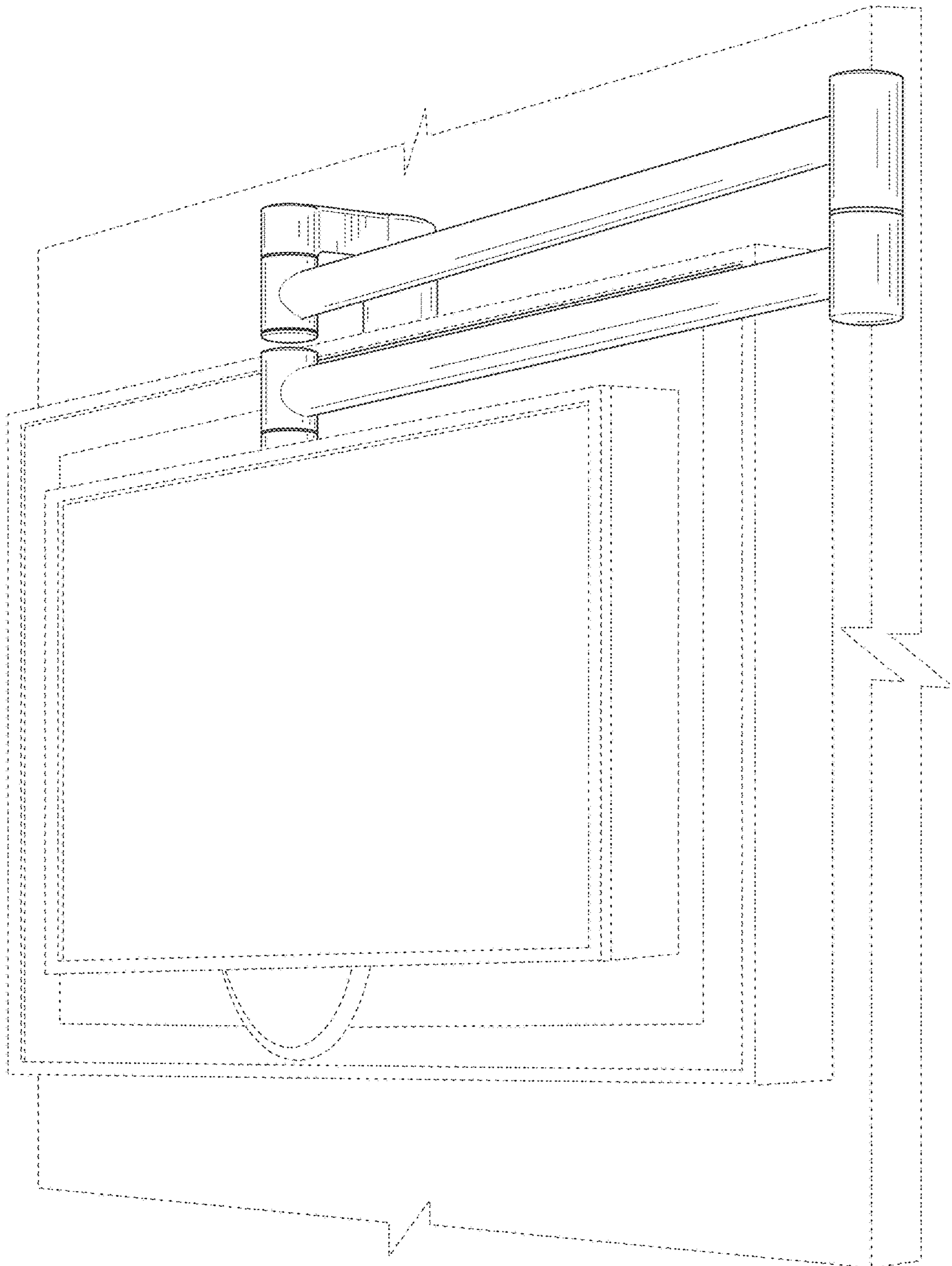


FIG. 1

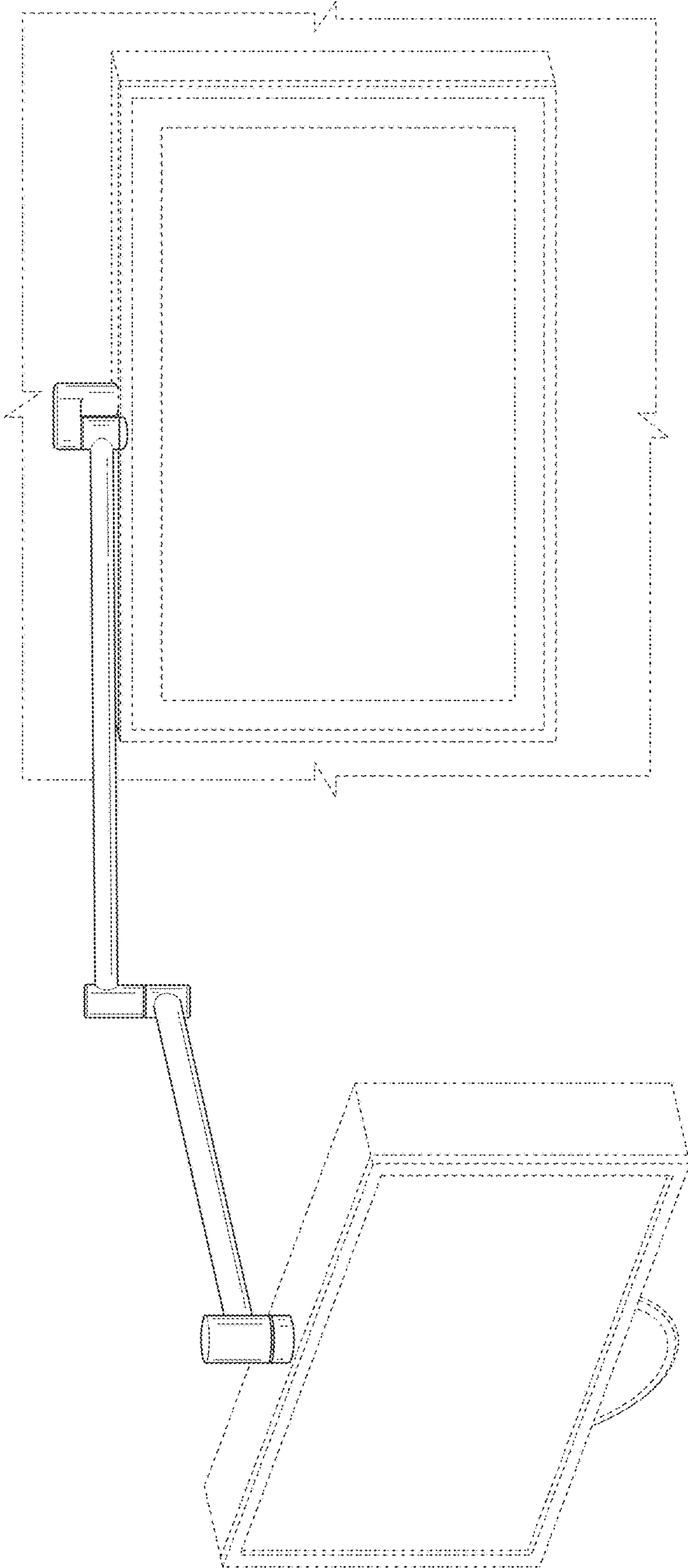


FIG. 2

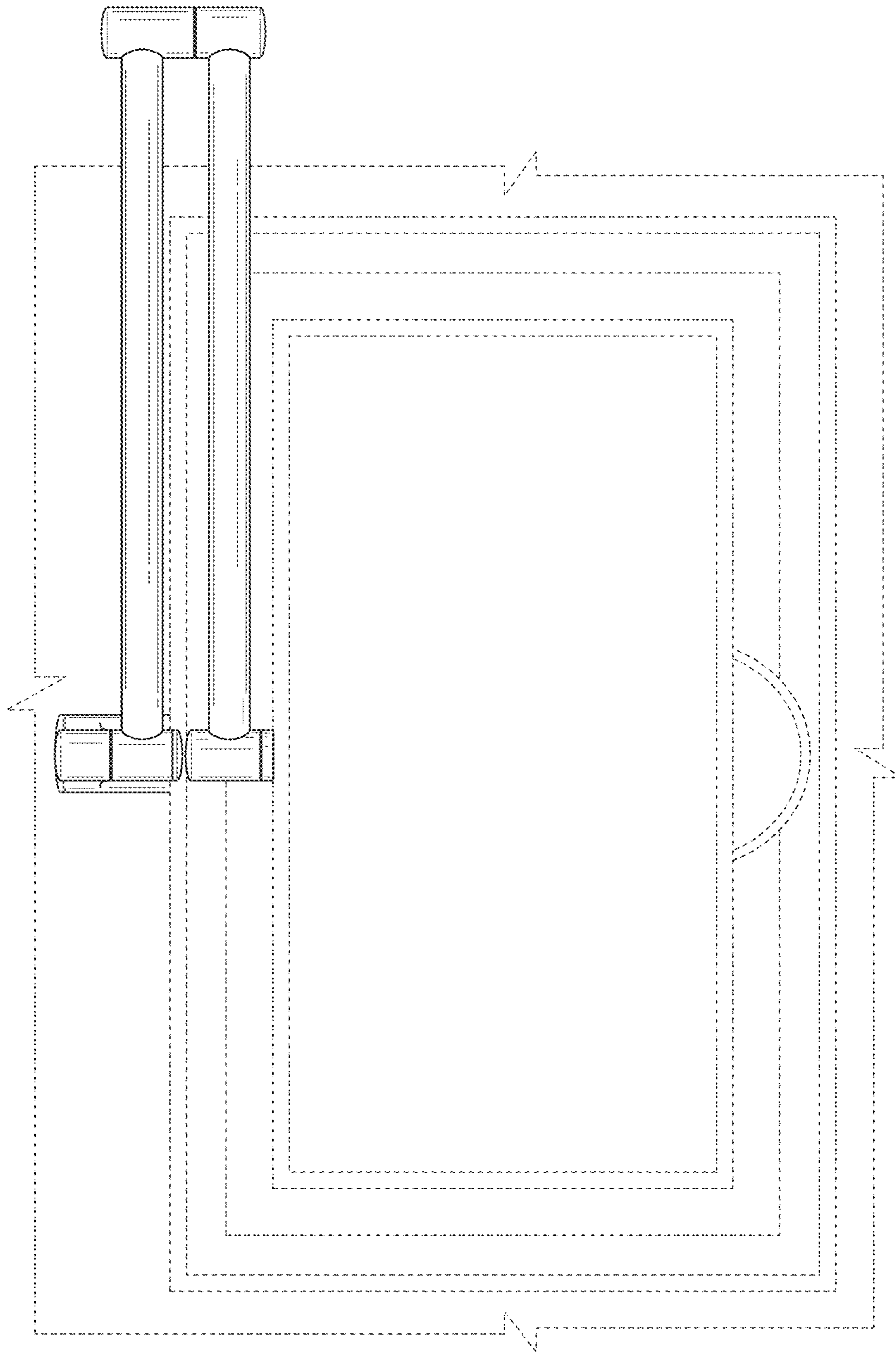


FIG. 3

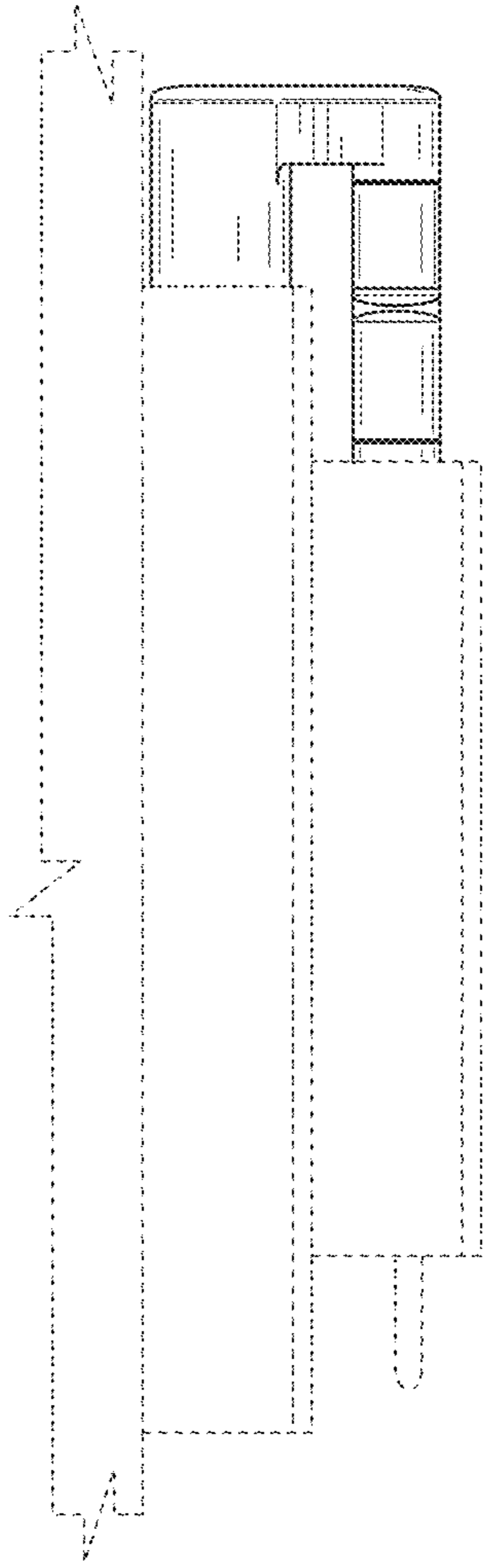


FIG. 4

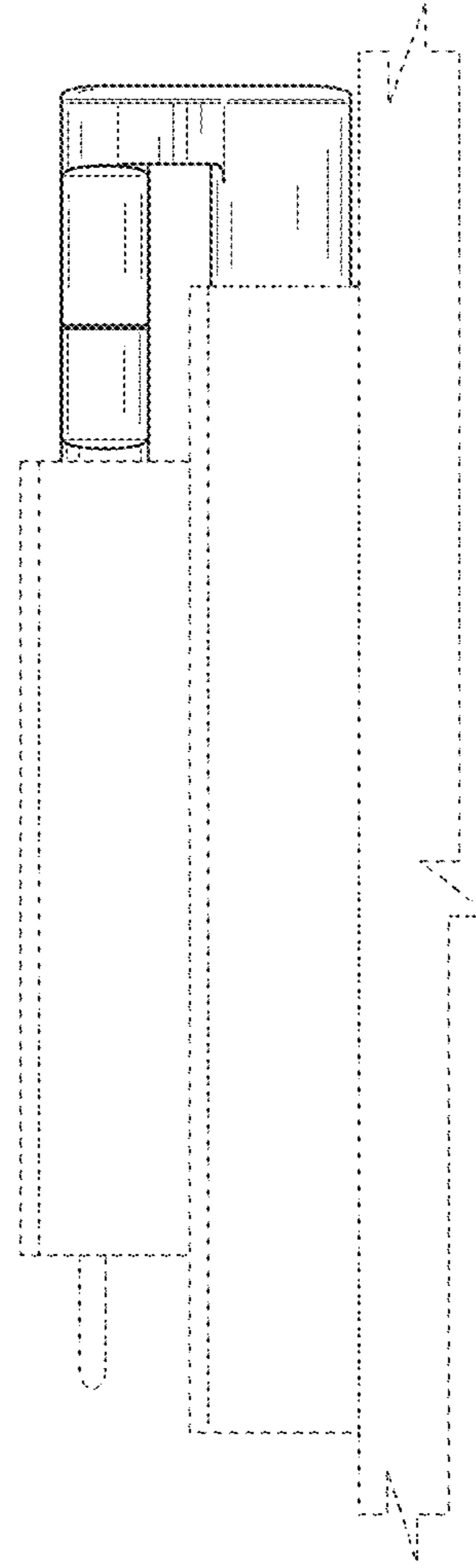


FIG. 5

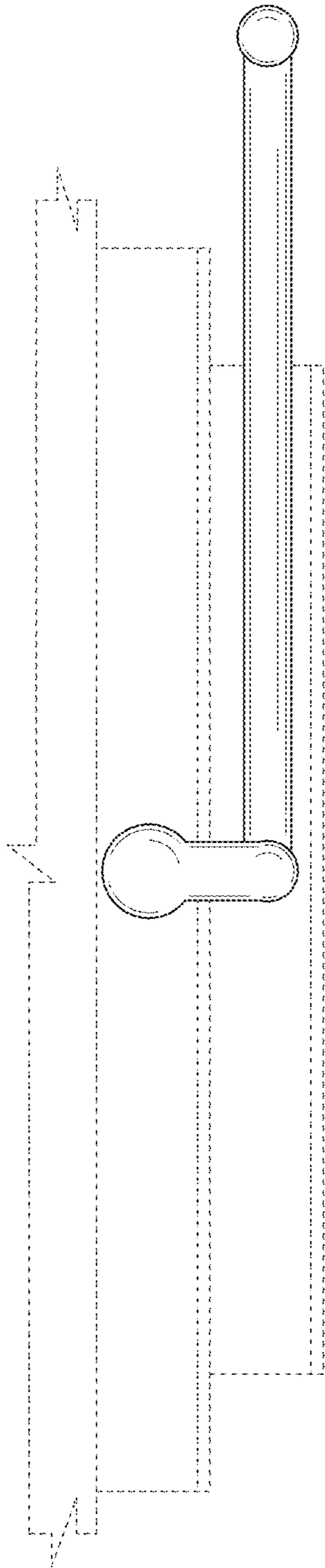


FIG. 6

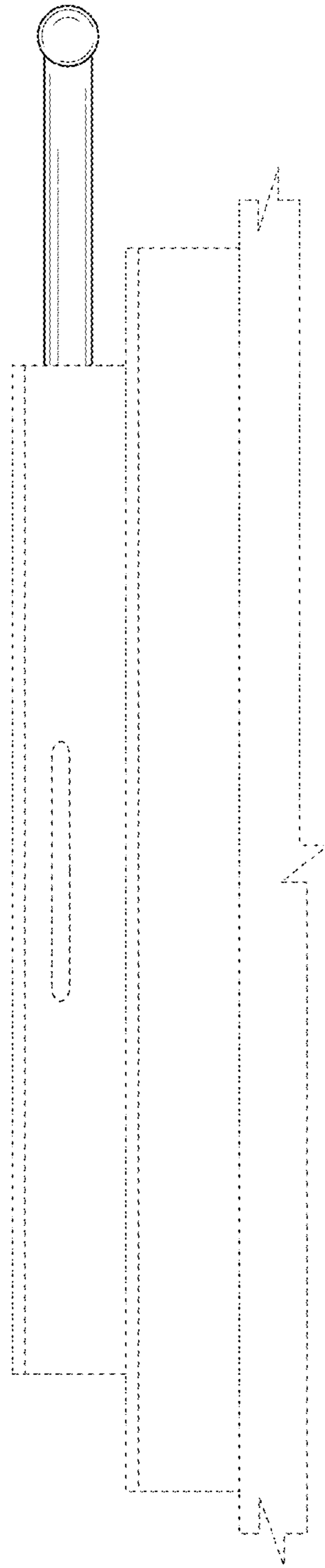


FIG. 7