



US00D803575S

(12) **United States Design Patent**
Lim et al.

(10) **Patent No.:** **US D803,575 S**

(45) **Date of Patent:** **** Nov. 28, 2017**

(54) **BRUSH WITH SLIDABLE CAP**

(75) Inventors: **Cindy Lim**, Santa Monica, CA (US);
Megan Rene Langdon, Los Angeles,
CA (US)

(73) Assignee: **HCT ASIA LTD.**, Hong Kong (HK)

(**) Term: **14 Years**

(21) Appl. No.: **29/382,274**

(22) Filed: **Dec. 30, 2010**

(51) **LOC (10) Cl.** **04-99**

(52) **U.S. Cl.**

USPC **D4/138**

(58) **Field of Classification Search**

USPC D4/121, 127, 135, 138; D28/7;
15/144.1, 144.3, 144.4, 168, 169, 184,
15/143.1, 159.1, 160, 191.1-194;
132/289, 290, 293, 313, 317, 320

See application file for complete search history.

(56) **References Cited**

U.S. PATENT DOCUMENTS

1,185,617	A	6/1916	Blaha et al.	
1,261,502	A	4/1918	Farrows	
1,355,026	A	10/1920	Austin	
2,132,943	A	10/1938	Frazier	
D134,797	S *	1/1943	Lubkin D4/135
2,442,051	A	5/1948	Luscri	

(Continued)

FOREIGN PATENT DOCUMENTS

CN	201399985	Y	2/2010	
DE	4215896	C1 *	11/1993 A46B 17/04

(Continued)

OTHER PUBLICATIONS

Design U.S. Appl. No. 29/382,280; "Slide Cap Brush with Straight Handle," filed Dec. 30, 2010; 2 pages.

(Continued)

Primary Examiner — Garth Rademaker

Assistant Examiner — Katie Stofko

(74) *Attorney, Agent, or Firm* — Seager, Tufte & Wickhem LLP

(57) **CLAIM**

The ornamental design for a brush with slidable cap, as shown and described.

DESCRIPTION

FIG. 1 is a perspective view of a first embodiment of a brush with slidable cap;

FIG. 2 is a front elevation view of the brush with slidable cap of FIG. 1, the back, left side, and right side views of the brush with slidable cap being identical to the front view;

FIG. 3 is an enlarged top plan view of the brush with slidable cap of FIG. 1;

FIG. 4 is an enlarged bottom plan view of the brush with slidable cap of FIG. 1;

FIG. 5 is a perspective view of a second embodiment of a brush with slidable cap;

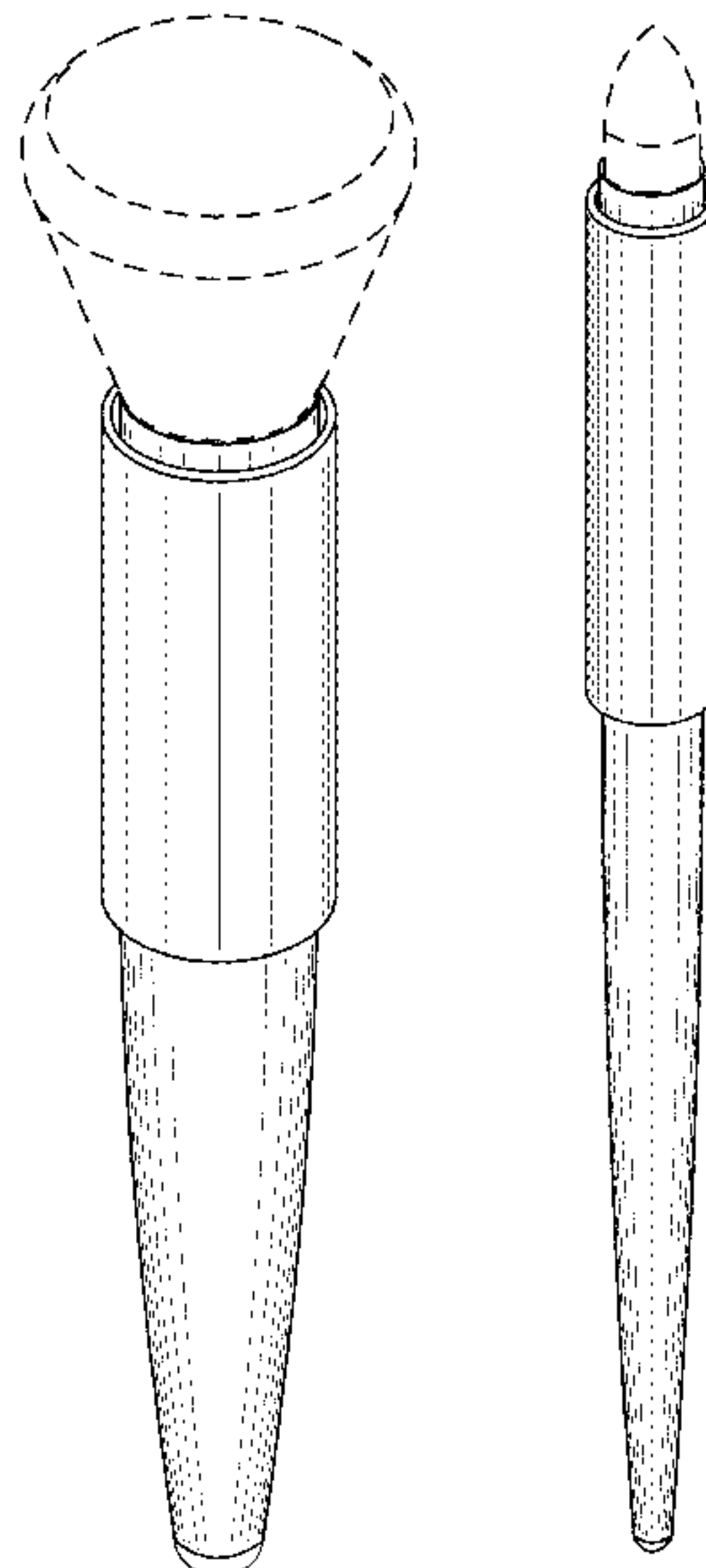
FIG. 6 is a front elevation view of the brush with slidable cap of FIG. 5, the back, left side, and right side views of the brush with slidable cap being identical to the front view;

FIG. 7 is an enlarged top plan view of the brush with slidable cap of FIG. 5; and,

FIG. 8 is an enlarged bottom plan view of the brush with slidable cap of FIG. 5.

The broken lines showing a bristle tuft illustrate a portion of the brush with slidable cap that forms no part of the claimed design. The broken lines shown between the cap and the handle in FIG. 8 illustrate environmental structure that forms no part of the claimed design.

1 Claim, 8 Drawing Sheets



(56)

References Cited

U.S. PATENT DOCUMENTS

2,637,060 A * 5/1953 Cowan 15/185
3,106,738 A * 10/1963 Bohne 15/184
3,193,863 A * 7/1965 Myers et al. 15/169
3,205,523 A 9/1965 Seaver
D439,415 S 3/2001 Mink et al.
6,269,515 B1 * 8/2001 Varma 15/160
D451,681 S * 12/2001 Mink et al. D4/138
D528,305 S * 9/2006 Langer D4/116
D529,292 S * 10/2006 Langer D4/116
7,140,061 B2 * 11/2006 Baker et al. 15/168
D651,409 S * 1/2012 Papenfuß D4/121
2009/0119863 A1 * 5/2009 Gallegos 15/247

FOREIGN PATENT DOCUMENTS

FR 2642283 A * 8/1990 A46B 17/04
JP 2003135140 A 5/2003

OTHER PUBLICATIONS

Non-Final Office Action for U.S. Appl. No. 29/382,280, dated Feb. 6, 2013, Cindy Lim et al., "Slide Cap Brush with Straight Handle," 7 pages.

* cited by examiner

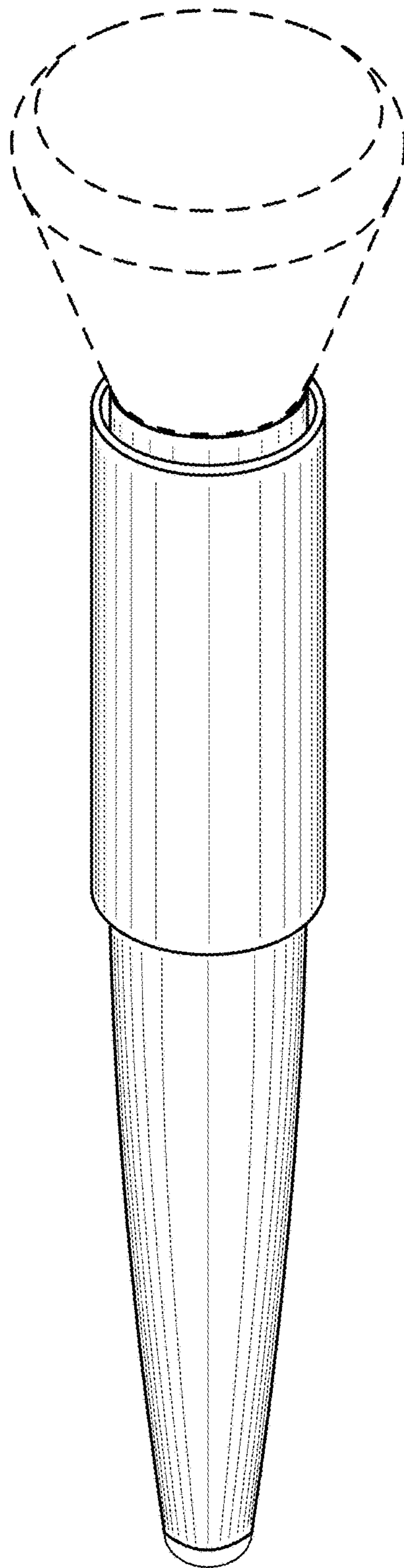


FIG. 1

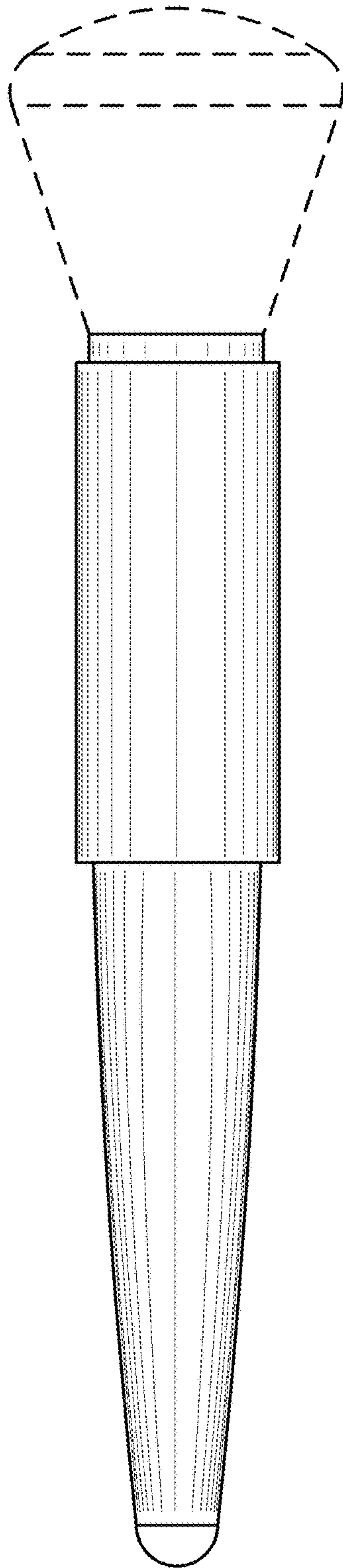


FIG. 2

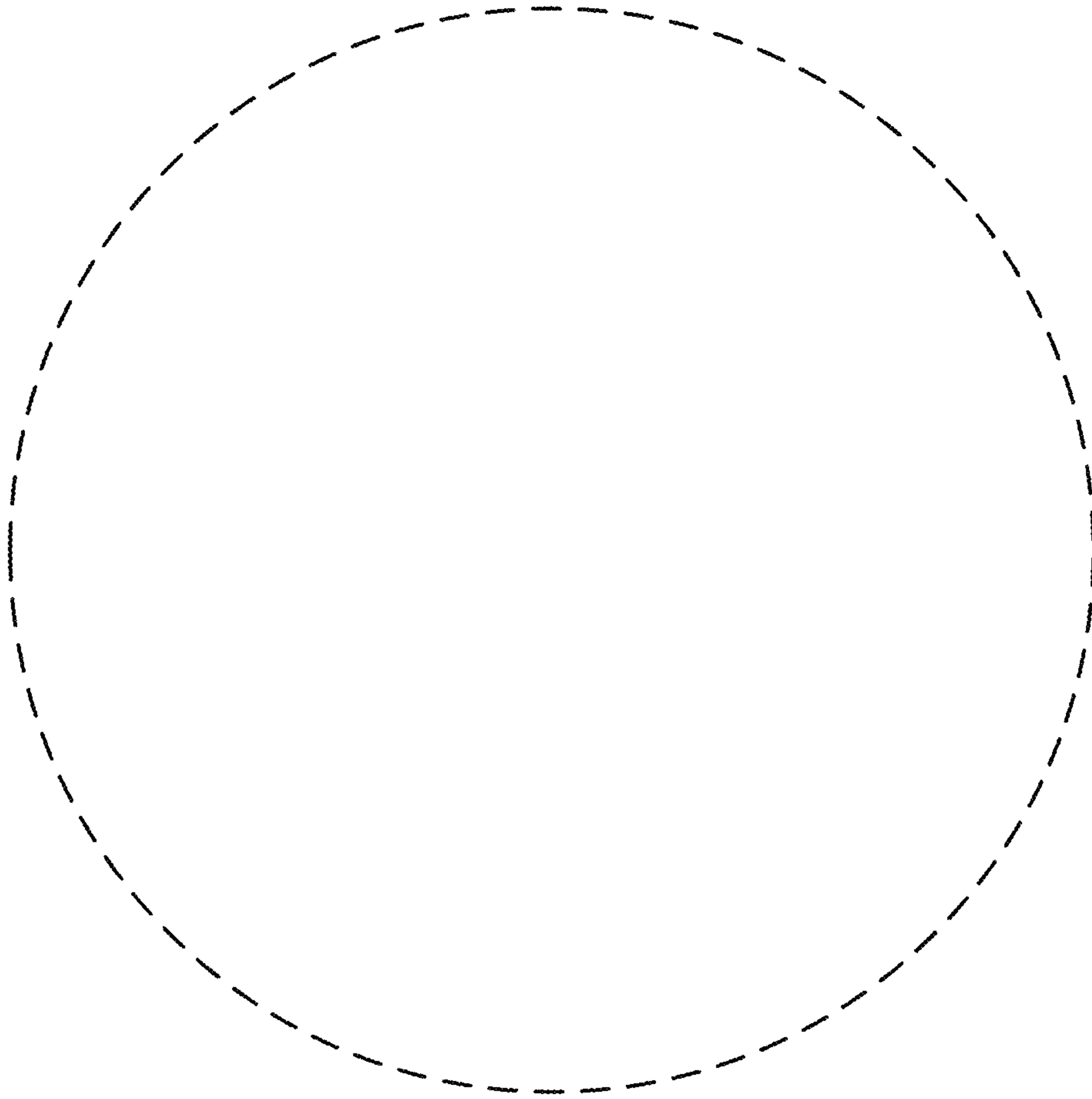


FIG. 3

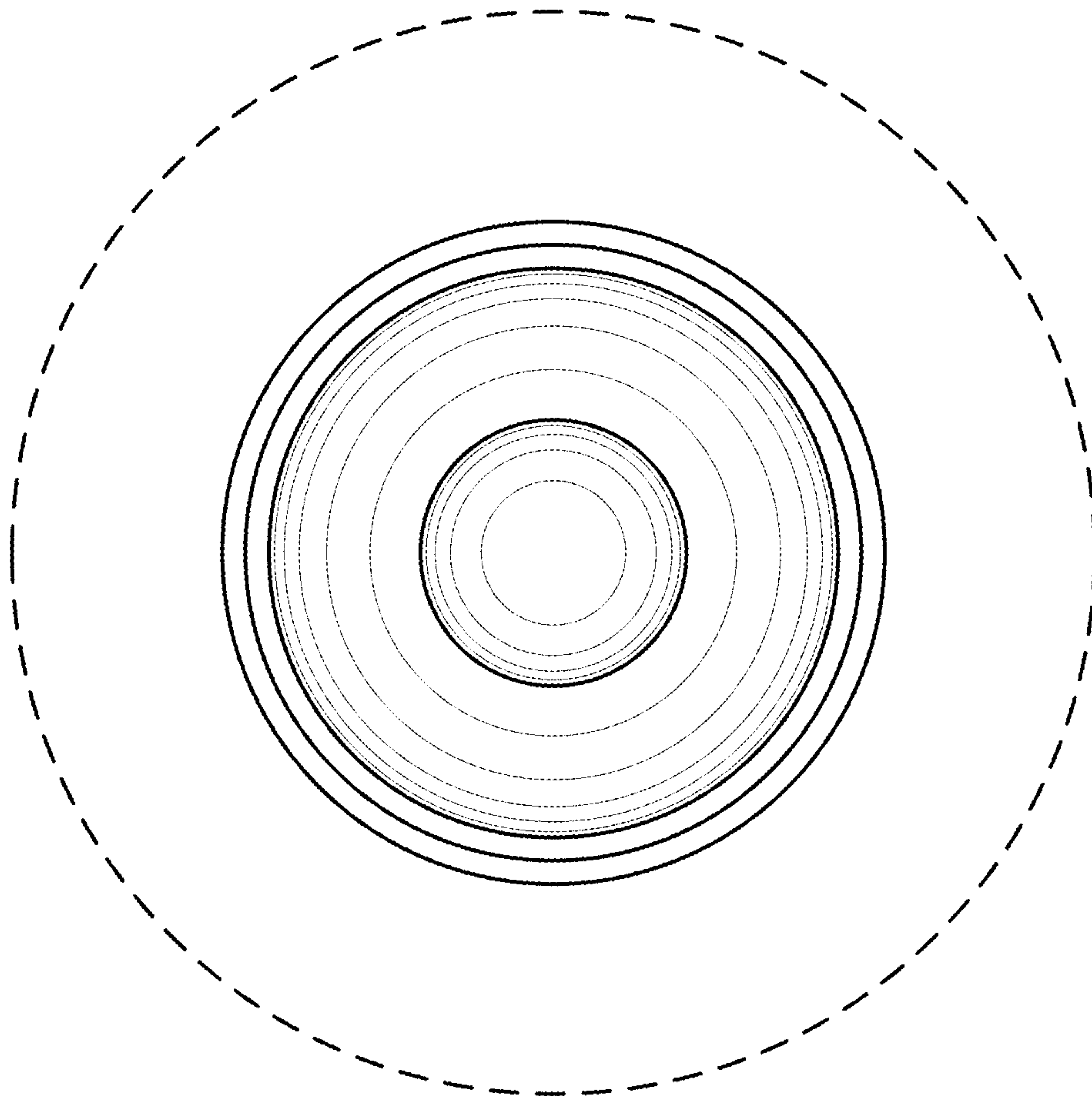


FIG. 4

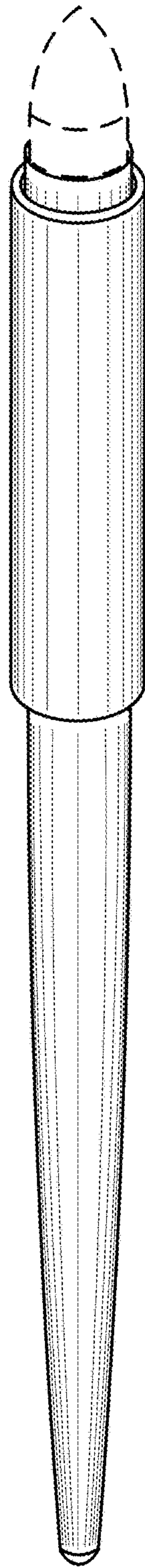


FIG. 5

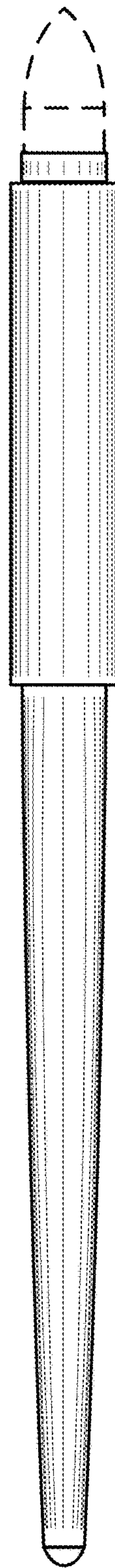


FIG. 6

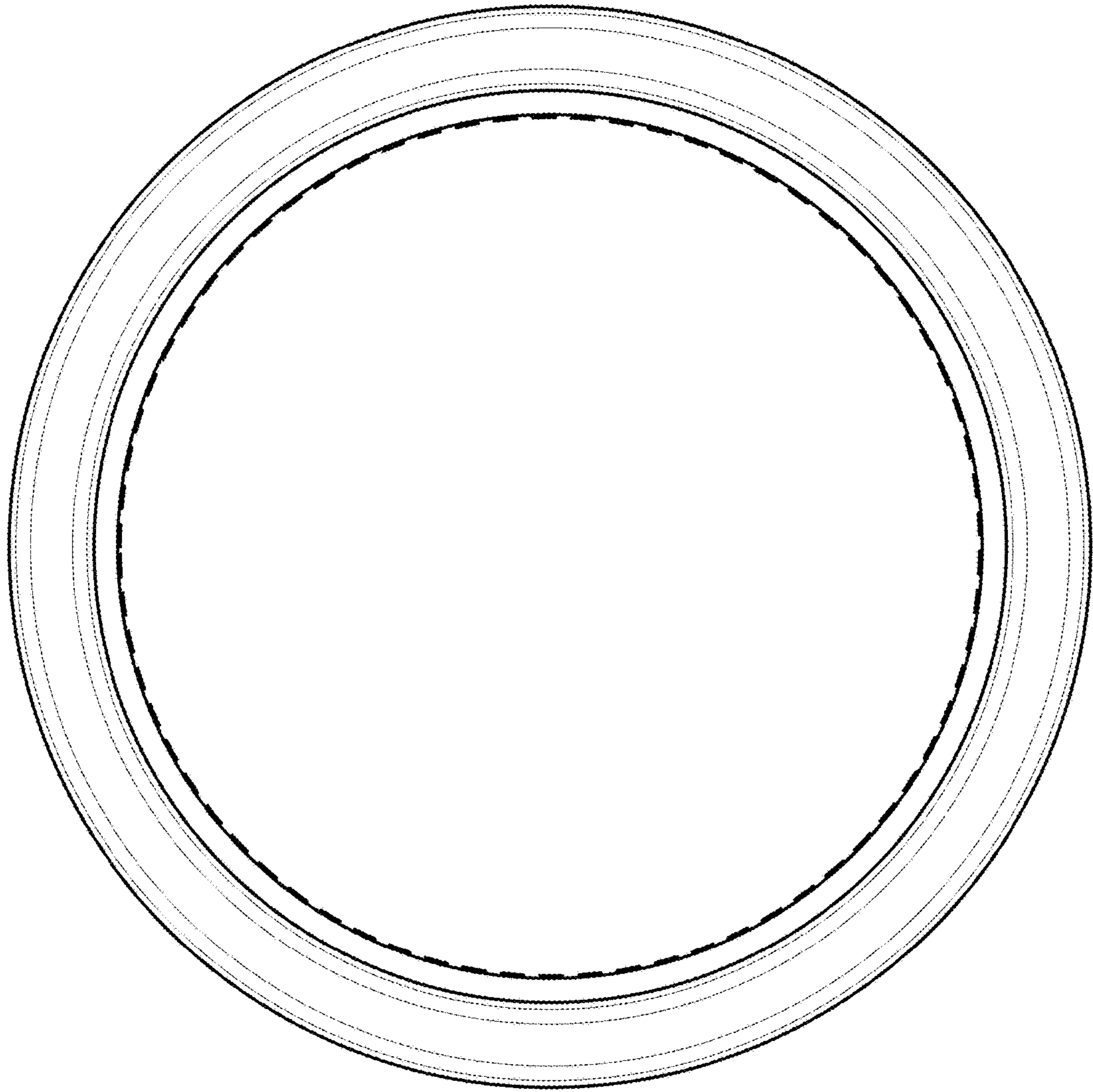


FIG. 7

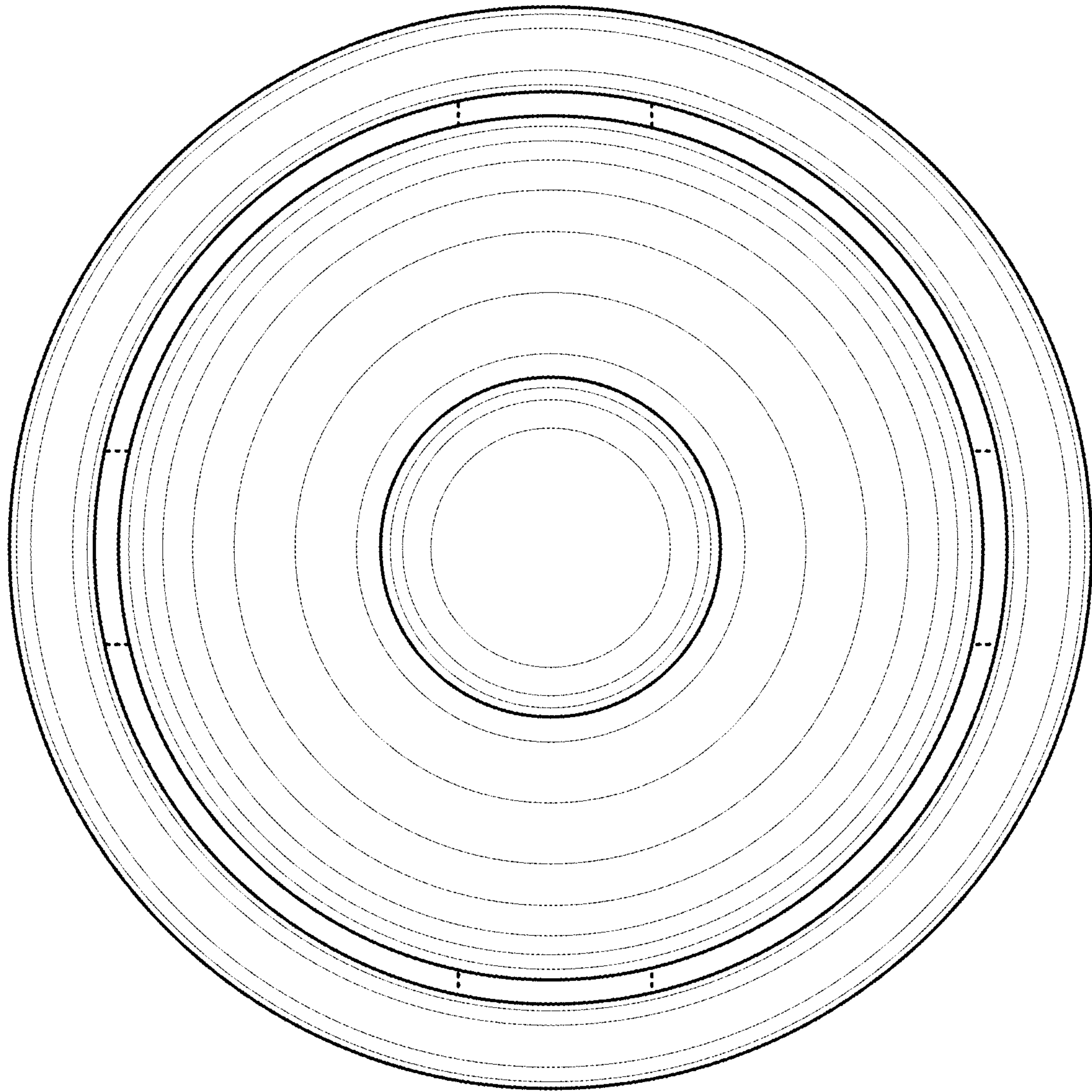


FIG. 8