



US00D803572S

(12) **United States Design Patent**  
**Nichols**

(10) **Patent No.:** **US D803,572 S**

(45) **Date of Patent:** **\*\* Nov. 28, 2017**

(54) **COMBINATION HANDHELD MOTORIZED  
FACIAL BRUSH AND CHARGING STAND**

(71) Applicant: **Thomas Nichols**, Laguna Niguel, CA  
(US)

(72) Inventor: **Thomas Nichols**, Laguna Niguel, CA  
(US)

(\*\*) Term: **15 Years**

(21) Appl. No.: **29/544,443**

(22) Filed: **Nov. 3, 2015**

(51) **LOC (10) Cl.** ..... **04-02**

(52) **U.S. Cl.**  
USPC ..... **D4/102**

(58) **Field of Classification Search**  
USPC ..... D4/102, 127, 128, 138; D24/200, 214,  
D24/215  
CPC ..... A61F 2007/0052; A61N 1/322; A46B  
15/0036; A46B 15/0097; A46B 9/005;  
(Continued)

(56) **References Cited**

**U.S. PATENT DOCUMENTS**

D196,227 S \* 9/1963 Polatchek ..... D4/102  
D204,921 S \* 5/1966 McNair ..... D24/206  
D366,703 S \* 1/1996 Huen ..... D13/108  
(Continued)

**FOREIGN PATENT DOCUMENTS**

CN 301929100 \* 5/2012  
CN 30213979 \* 10/2012  
(Continued)

*Primary Examiner* — Karen E. Eldridge Powers

(74) *Attorney, Agent, or Firm* — Steins & Associates, P.C.

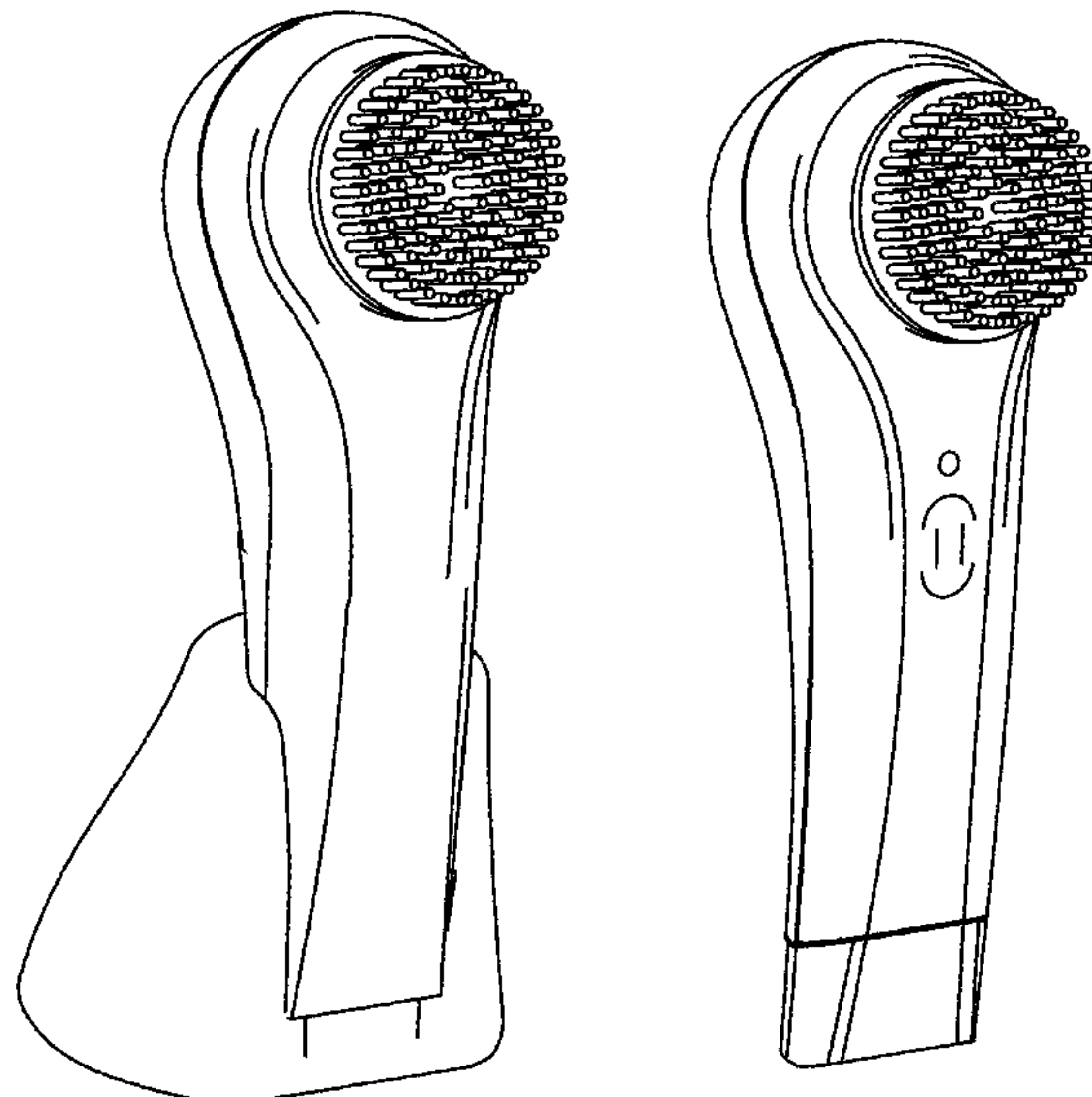
(57) **CLAIM**

What is claimed is the ornamental design for a combination handheld motorized facial brush and charging stand, as shown.

**DESCRIPTION**

FIG. 1 is a right perspective view of the combination handheld motorized facial brush and charging stand; FIG. 2 is a left rear perspective view thereof; FIG. 3 is a front elevation view thereof; FIG. 4 is a rear elevation view thereof; FIG. 5 is a left side elevation view thereof; FIG. 6 is a right side elevation view thereof; FIG. 7 is a top plan view thereof; FIG. 8 is a bottom plan view thereof; FIG. 9 is a right perspective view of the combination handheld motorized facial brush and charging stand shown separately from the base for clarity of illustration; FIG. 10 is a left rear perspective view thereof; FIG. 11 is a front elevation view thereof; FIG. 12 is a back rear elevation view thereof; FIG. 13 is a left side elevation view thereof; FIG. 14 is a right side elevation view thereof; FIG. 15 is a top plan view thereof; FIG. 16 is a bottom plan view thereof; FIG. 17 is an enlarged rear elevation view of the detachable brush head for the handheld motorized facial brush, shown separately from the brush handle for clarity of illustration. FIG. 18 is an enlarged rear perspective view thereof; FIG. 19 is a second enlarged rear perspective view thereof; FIG. 20 is an enlarged front elevation detail view of the head portion of the combination handheld motorized facial brush and charging stand of FIGS. 1-16 without the brush of FIGS. 17-19 shown being attached thereto; FIG. 21 is an enlarged partial right perspective view thereof; and, FIG. 22 is an enlarged partial left perspective view thereof. The broken line shown in FIG. 20 denotes the bounds of the view, and forms no part of the claimed design.

**1 Claim, 15 Drawing Sheets**



(58) **Field of Classification Search**  
 CPC ..... A46B 9/026; A46B 3/22; A46B 5/0095;  
                   A46B 5/021; A46B 2200/102  
 See application file for complete search history.

(56) **References Cited**

U.S. PATENT DOCUMENTS

D452,044	S	*	12/2001	Goetschi	.....	D28/20
D493,621	S	*	8/2004	Wilson	.....	D4/116
D500,168	S	*	12/2004	Ho	.....	D28/44
D533,353	S	*	12/2006	Daubenspeck	.....	D4/114
D549,964	S	*	9/2007	Roth	.....	D4/102
D569,523	S	*	5/2008	Hsieh	.....	D24/206
D573,346	S	*	7/2008	Daubenspeck	.....	D4/102
7,469,703	B2	*	12/2008	France	.....	A46B 9/00
						134/25.2
7,789,092	B2	*	9/2010	Akridge	.....	A61B 17/50
						132/200
D636,933	S	*	4/2011	Newman	.....	D28/7
D645,565	S	*	9/2011	Smith	.....	D24/200
D646,487	S	*	10/2011	Leppla	.....	D4/102
D648,441	S	*	11/2011	Rivero	.....	D24/200
D652,169	S	*	1/2012	Yoon	.....	D28/54
D693,932	S	*	11/2013	Nichols	.....	D24/214
D713,150	S	*	9/2014	Maurin	.....	D4/102
D715,555	S	*	10/2014	Hosler	.....	D4/102

D728,242	S	*	5/2015	Kim	.....	D4/102
D749,325	S	*	2/2016	Middendorp	.....	D4/102
D753,400	S	*	4/2016	Khoun	.....	D4/102
9,314,095	B2	*	4/2016	Hwang	.....	A46B 13/008
D760,498	S	*	7/2016	Kim	.....	D4/102
D764,173	S	*	8/2016	Nichols	.....	D4/102
2011/0184499	A1	*	7/2011	Radi	.....	A61H 7/005
						607/88
2013/0046212	A1	*	2/2013	Nichols	.....	A46B 7/04
						601/18
2013/0060176	A1	*	3/2013	Nichols	.....	A46B 13/023
						601/137
2015/0173842	A1	*	6/2015	Carlucci	.....	A46B 13/008
						606/131
2015/0257521	A1	*	9/2015	Hendler	.....	H02K 33/16
						15/22.4

FOREIGN PATENT DOCUMENTS

CN	302181367	*	11/2012
CN	302181368	*	11/2012
CN	302711278	*	1/2014
CN	303173779	*	4/2015
CN	303173780	*	4/2015
CN	303323096	*	8/2015
JP	D1270718	*	5/2006

\* cited by examiner

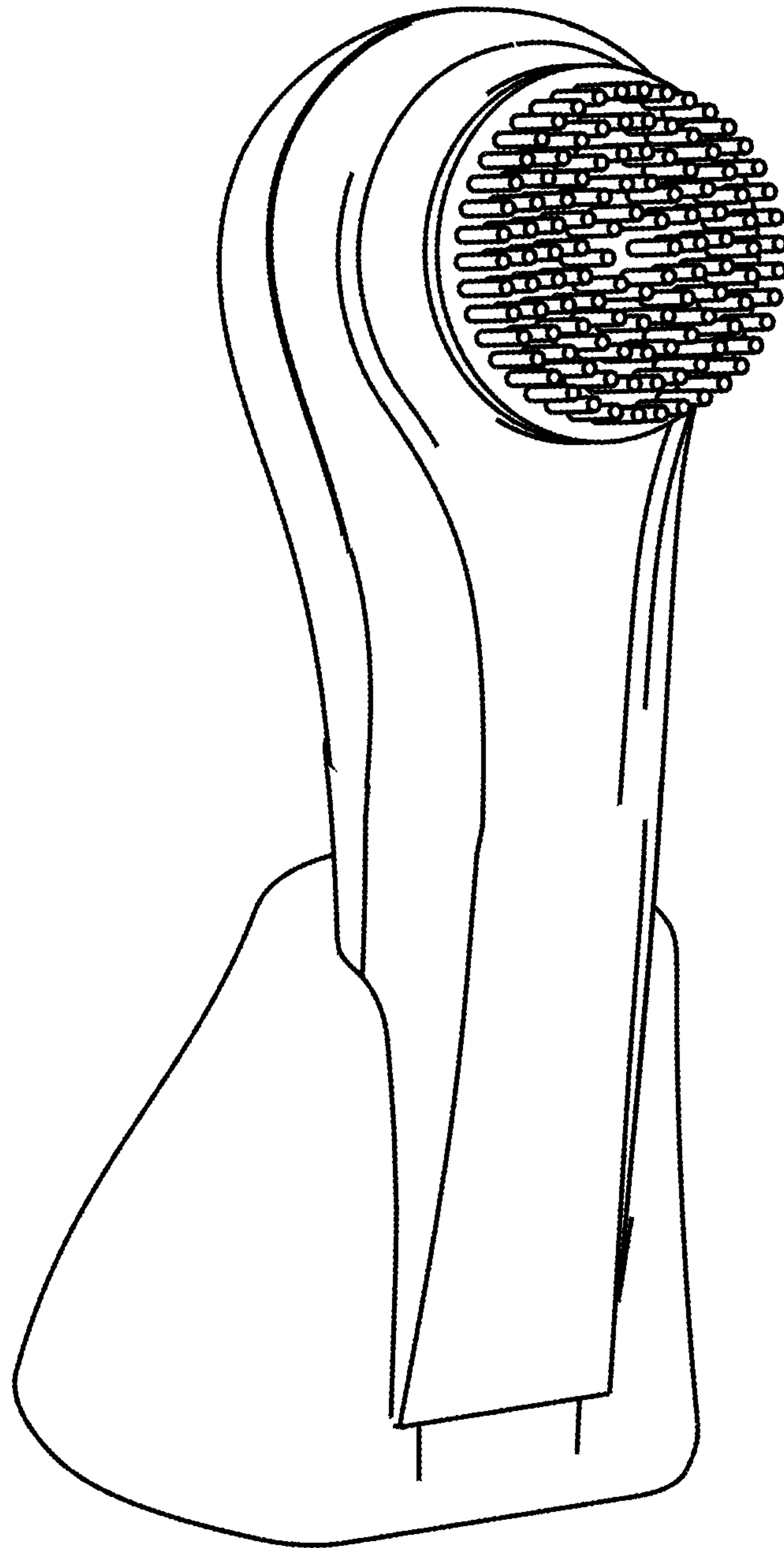


FIG. 1

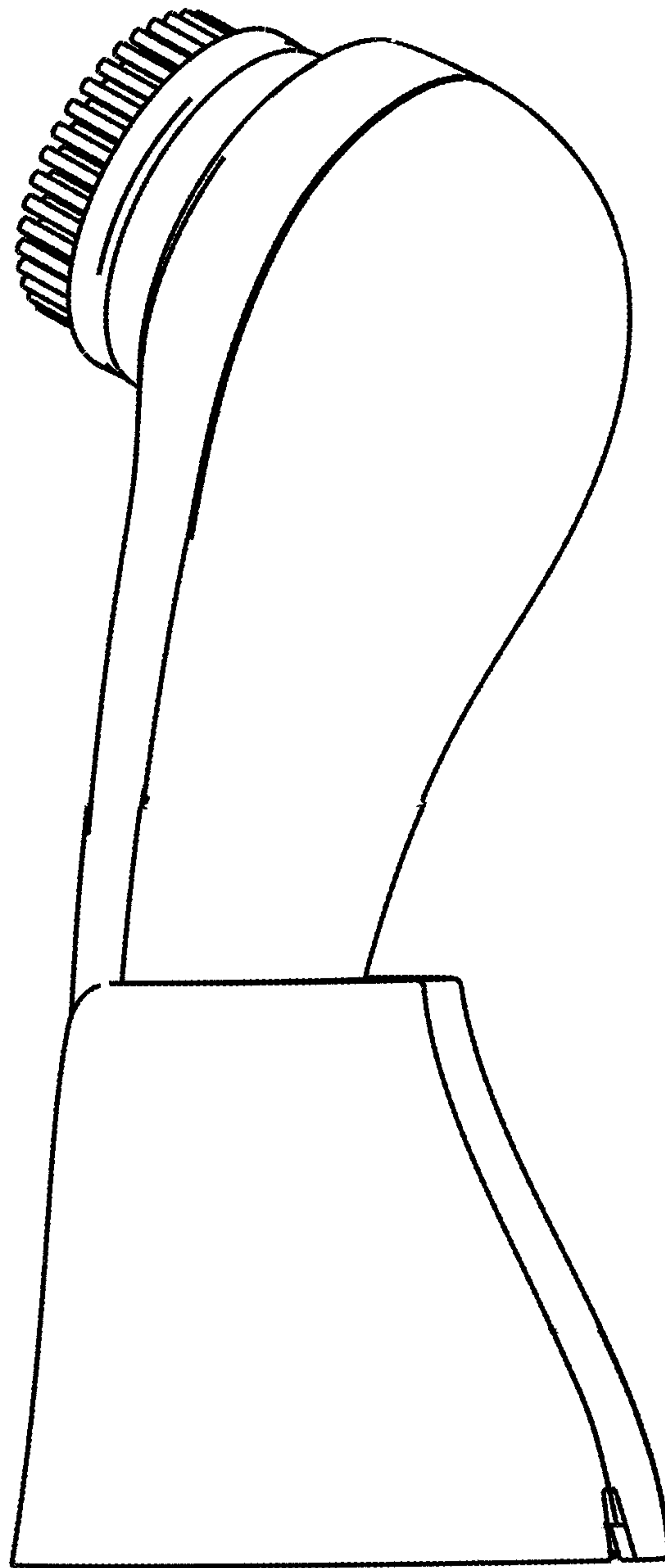


FIG. 2

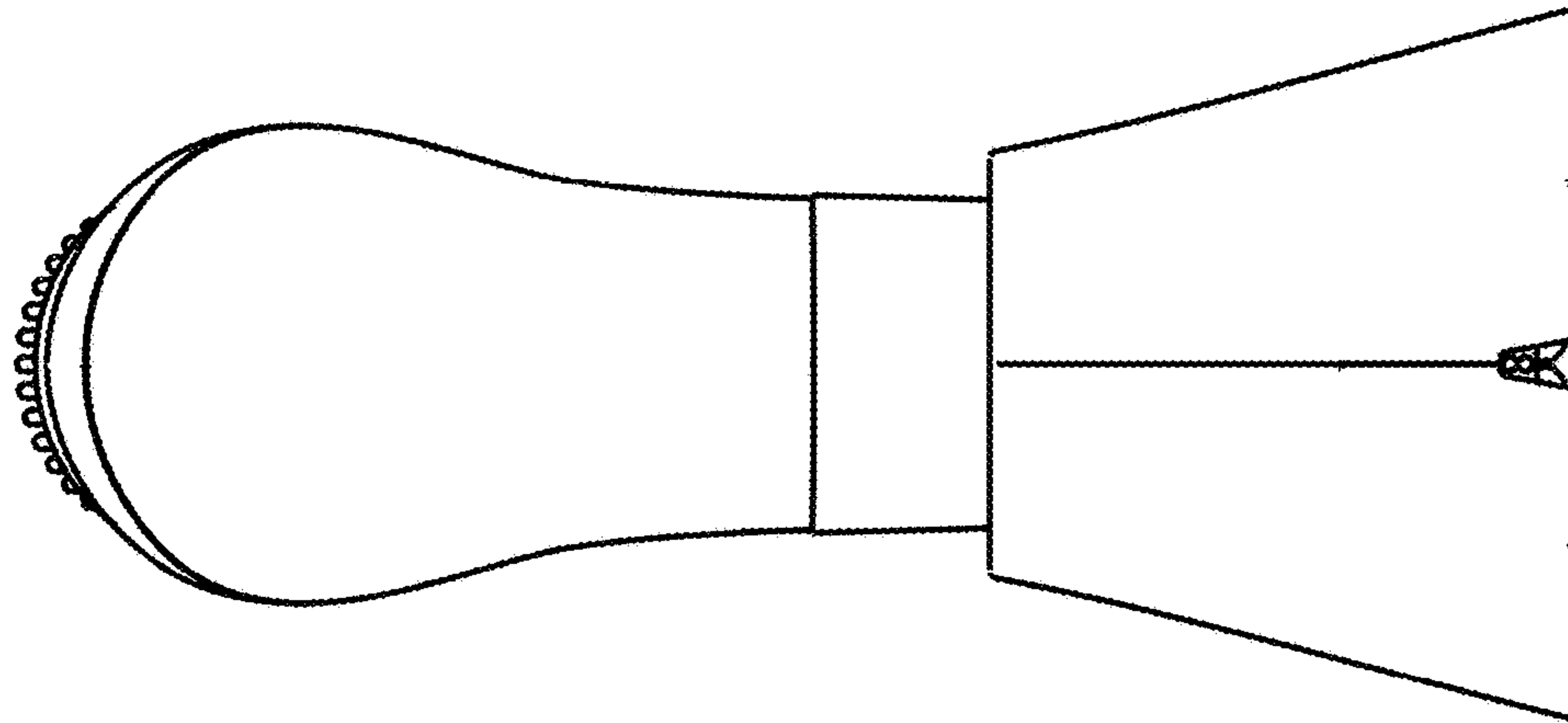


FIG. 4

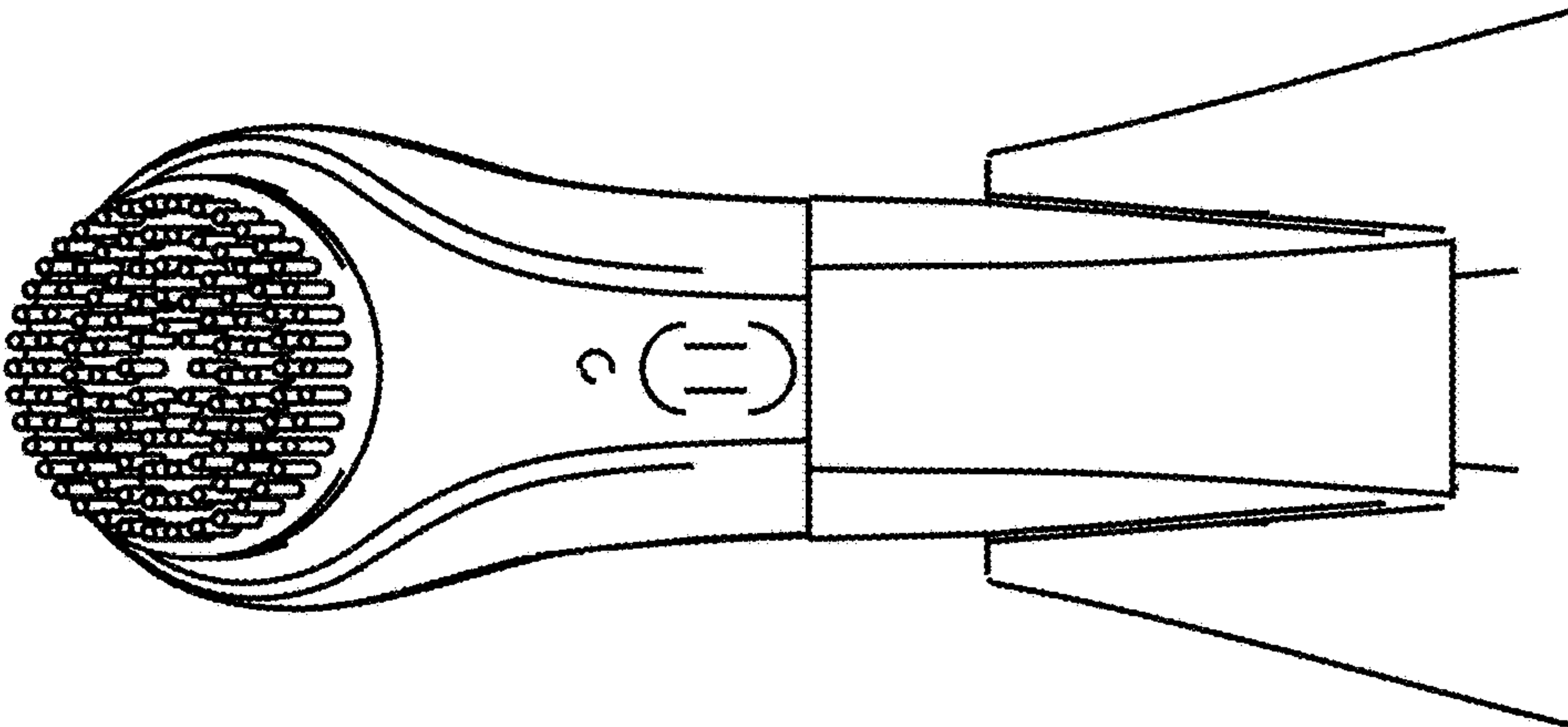


FIG. 3



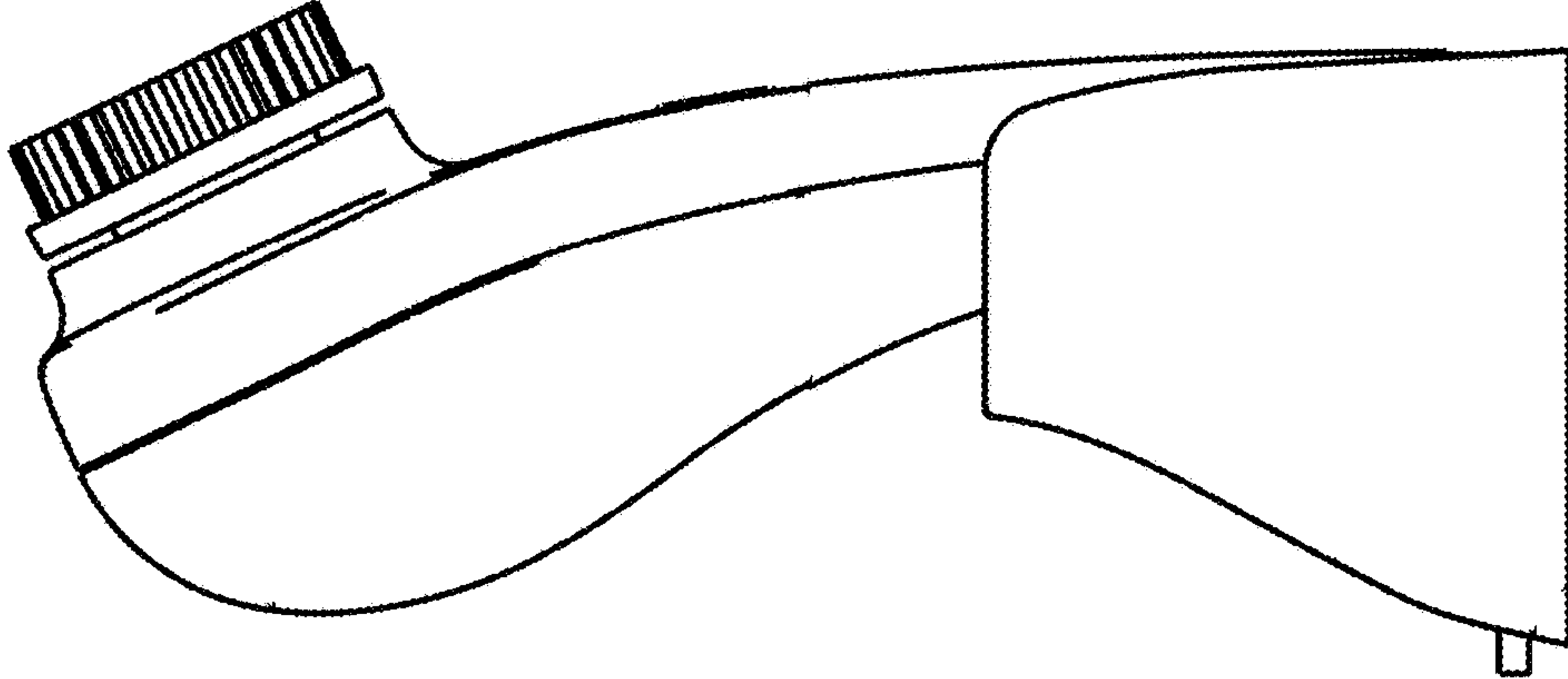


FIG. 6

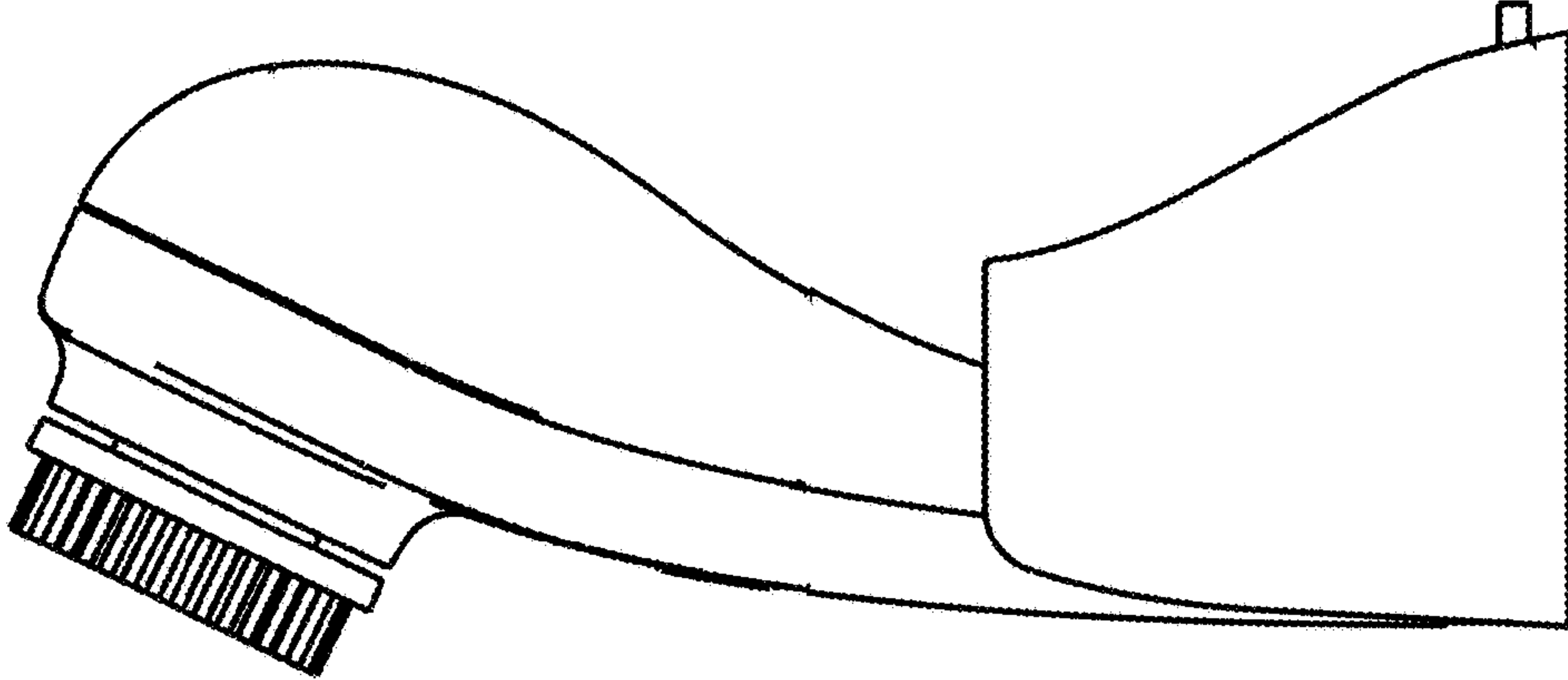


FIG. 5

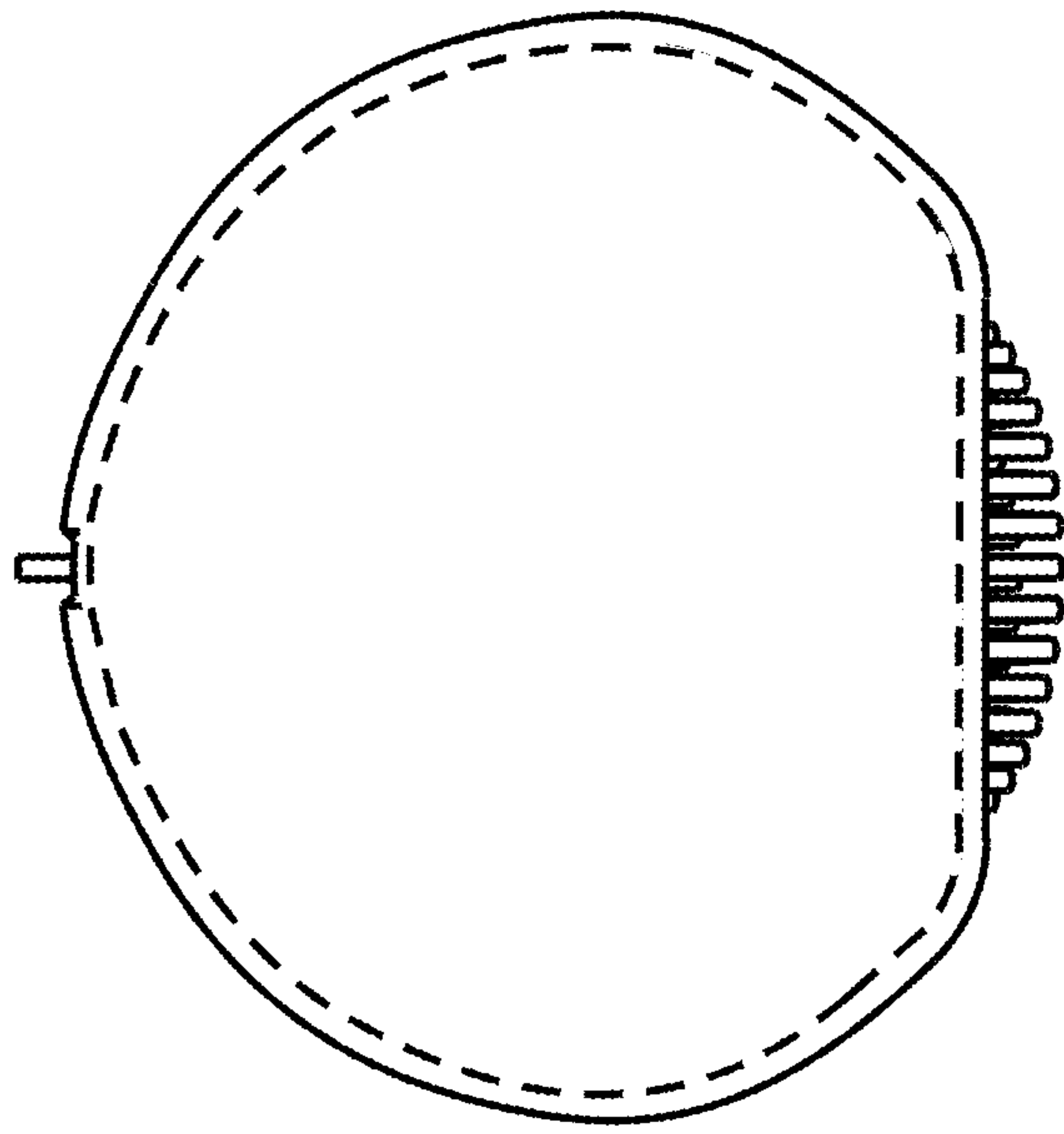


FIG. 8

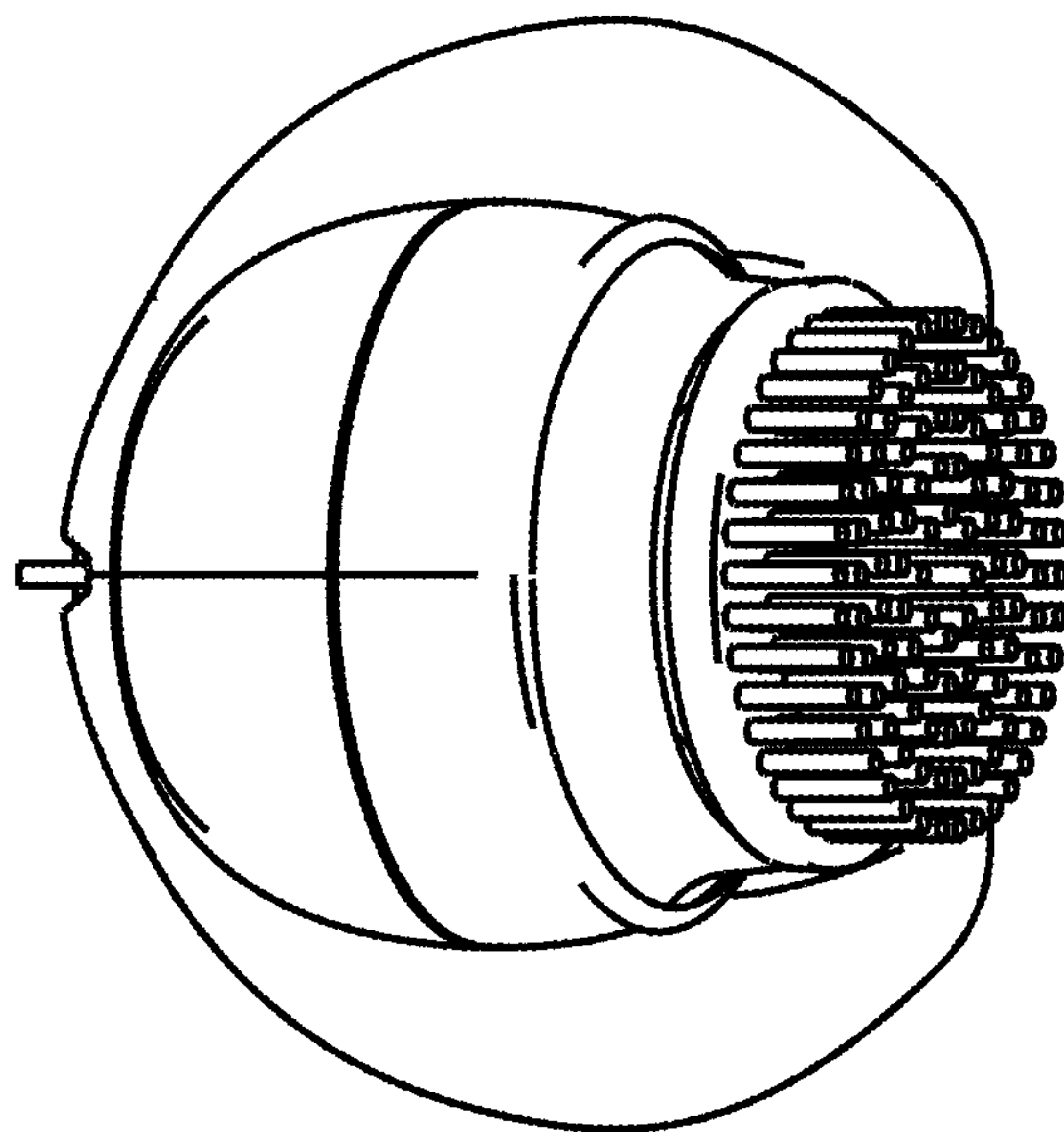


FIG. 7

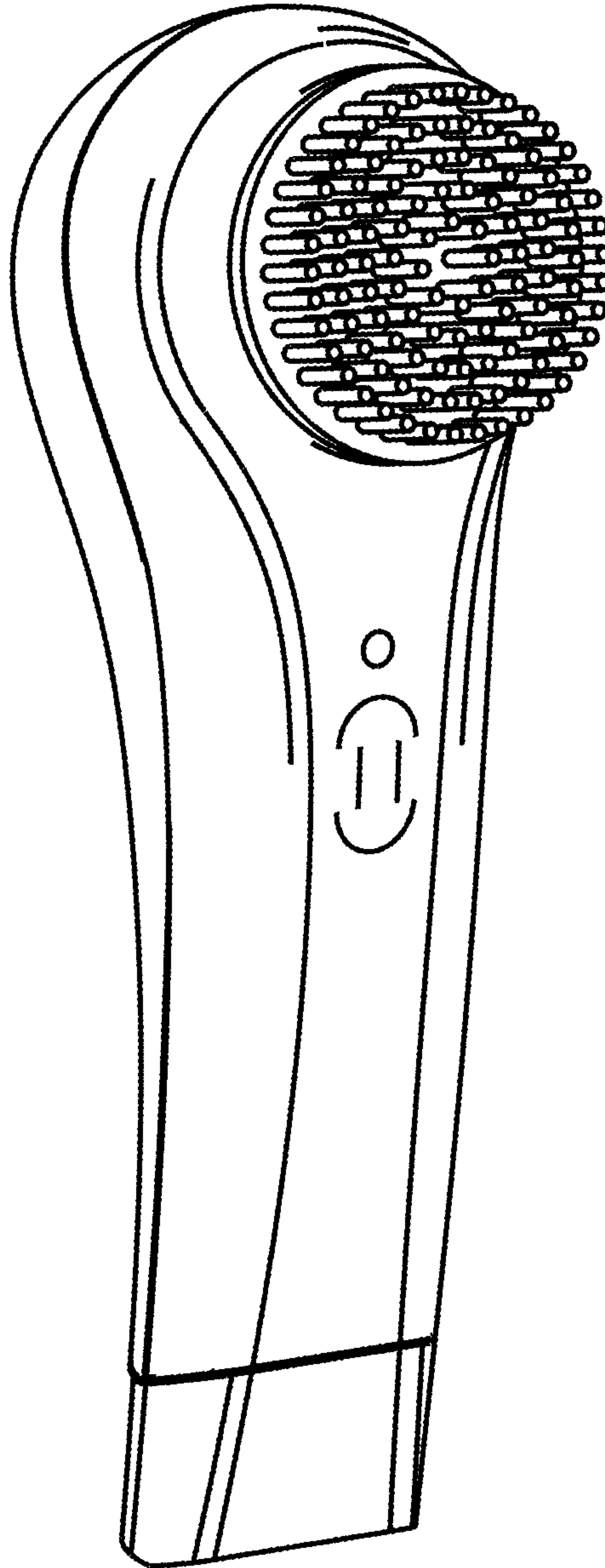


FIG. 9



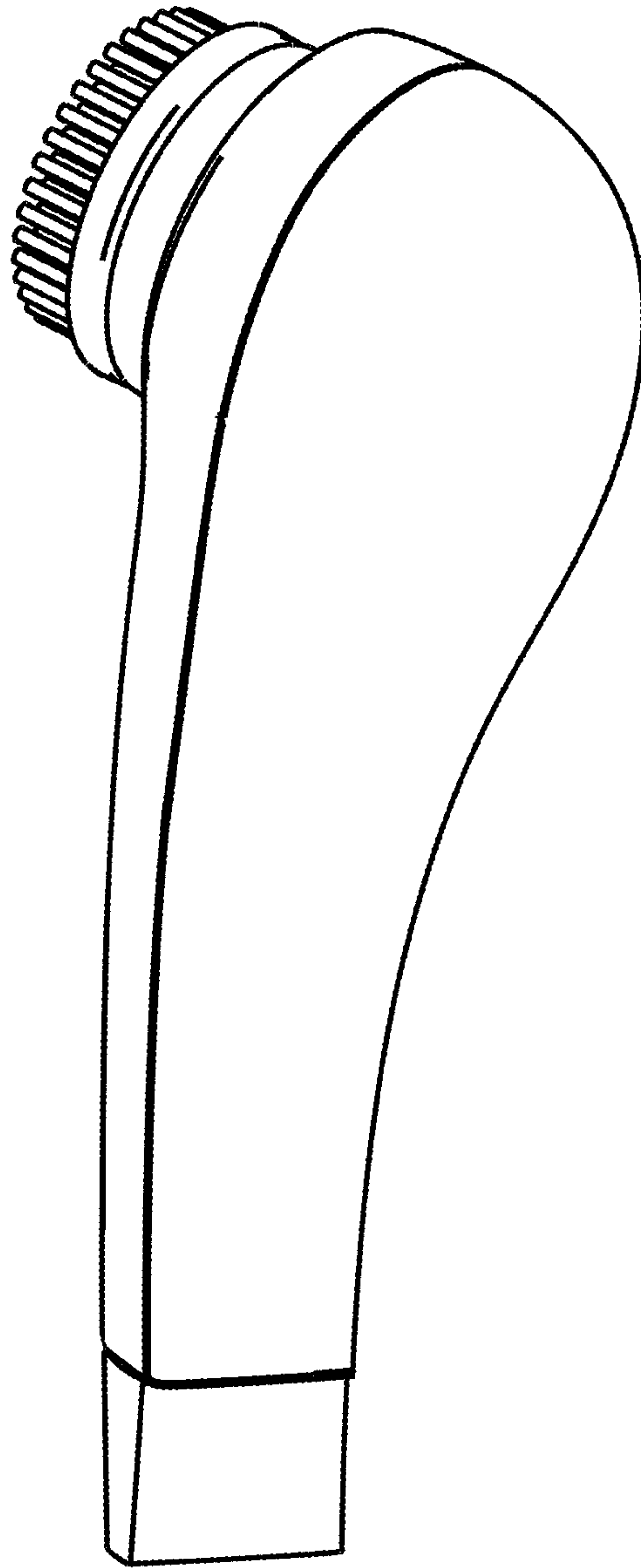


FIG. 10

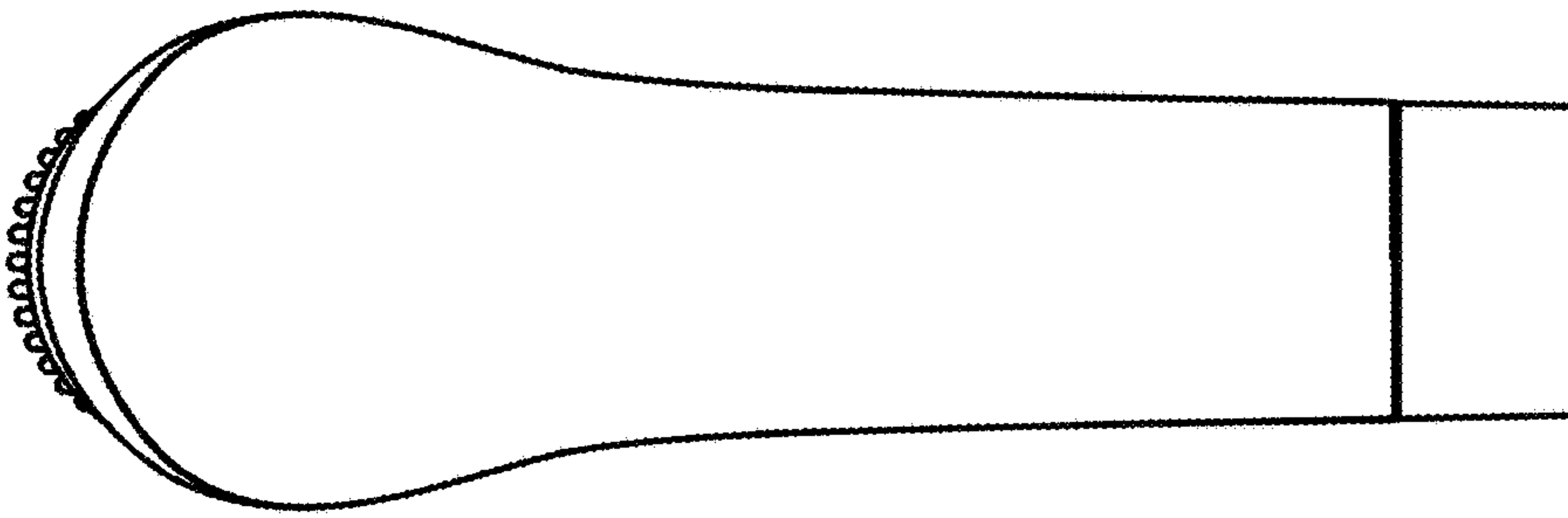


FIG. 12

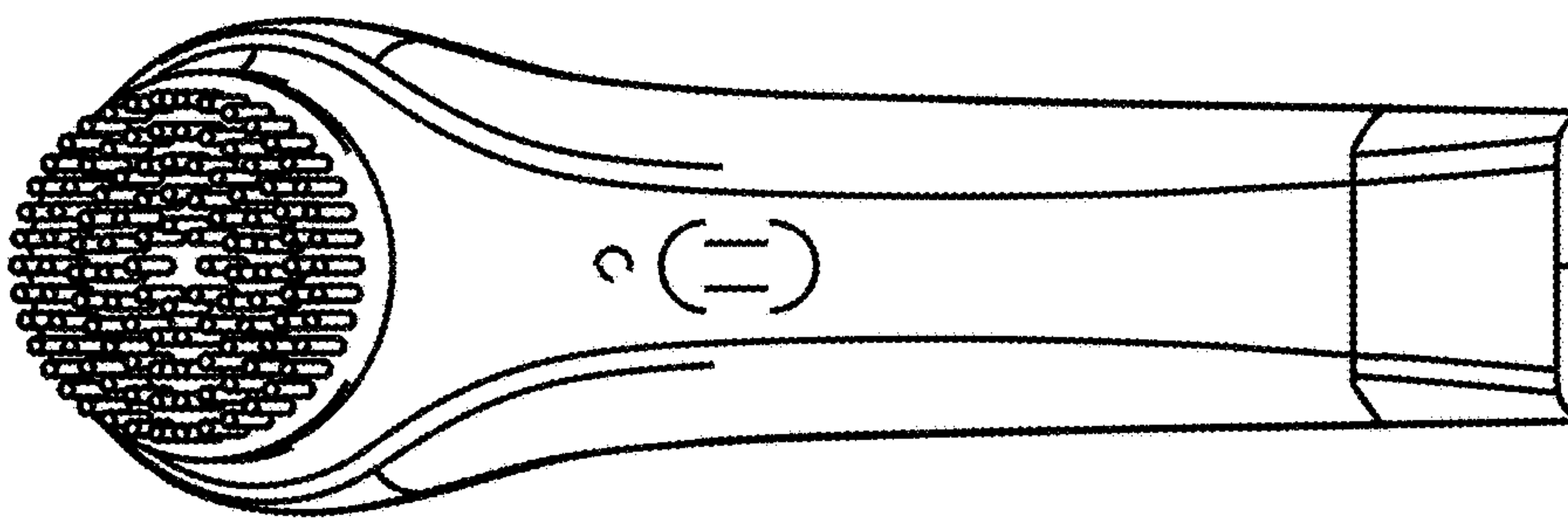


FIG. 11



FIG. 14

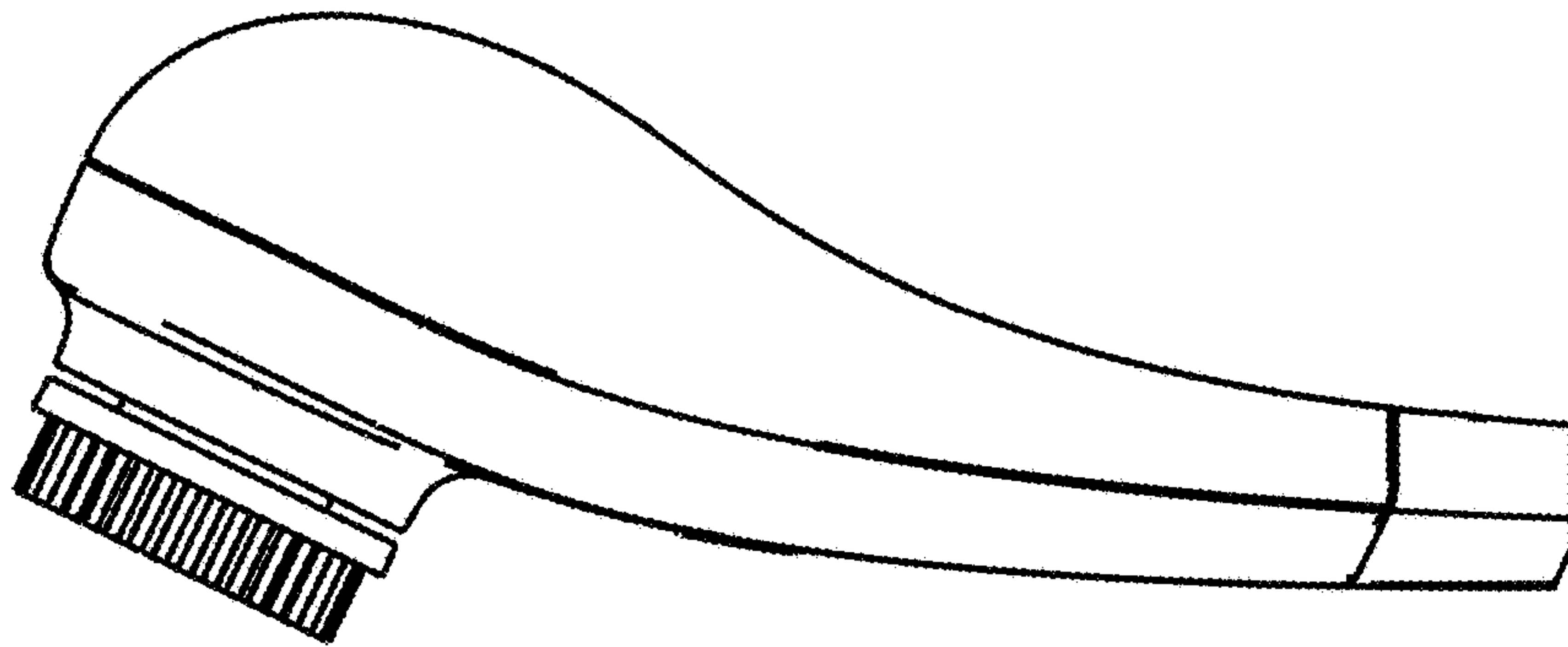


FIG. 13

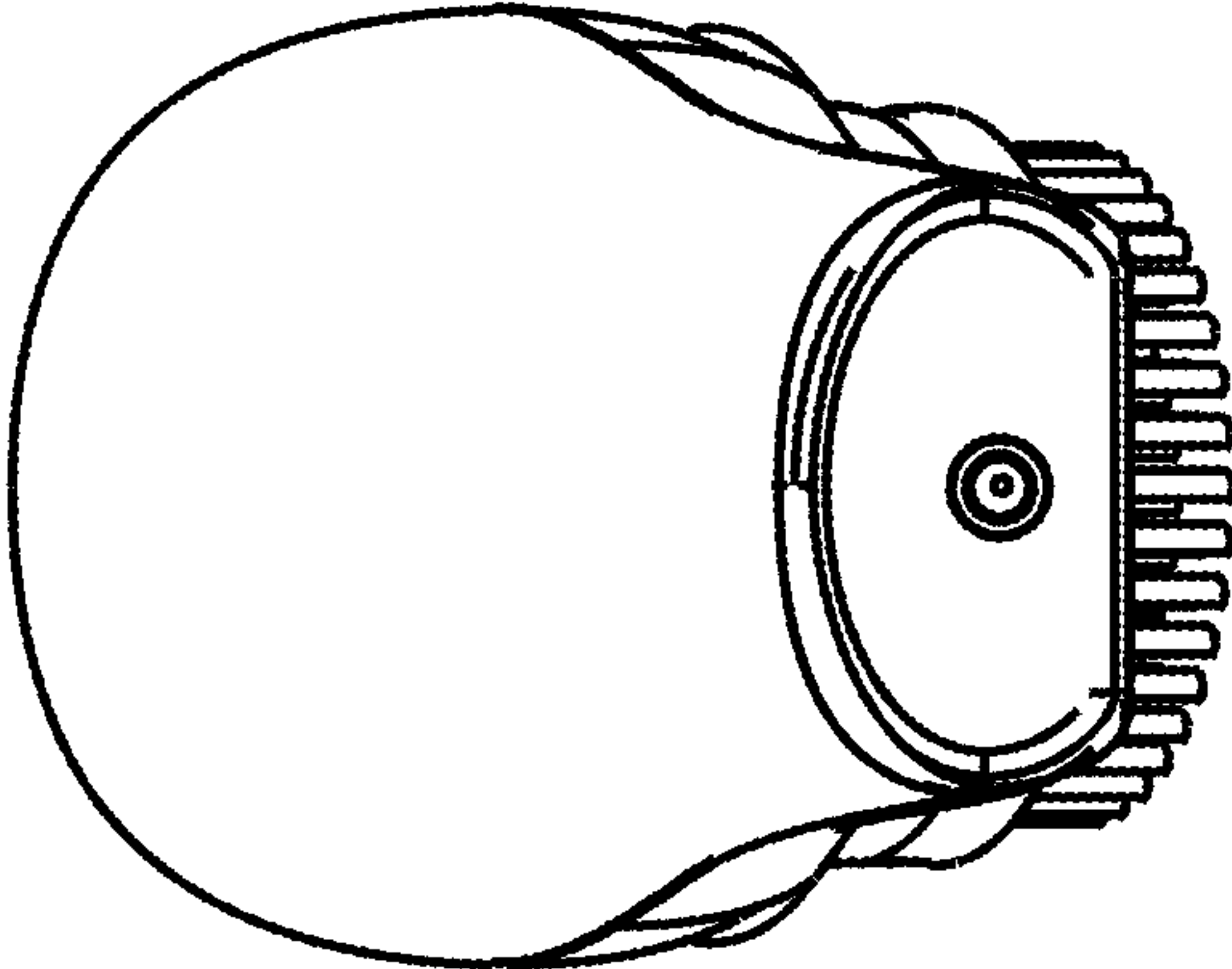


FIG. 15

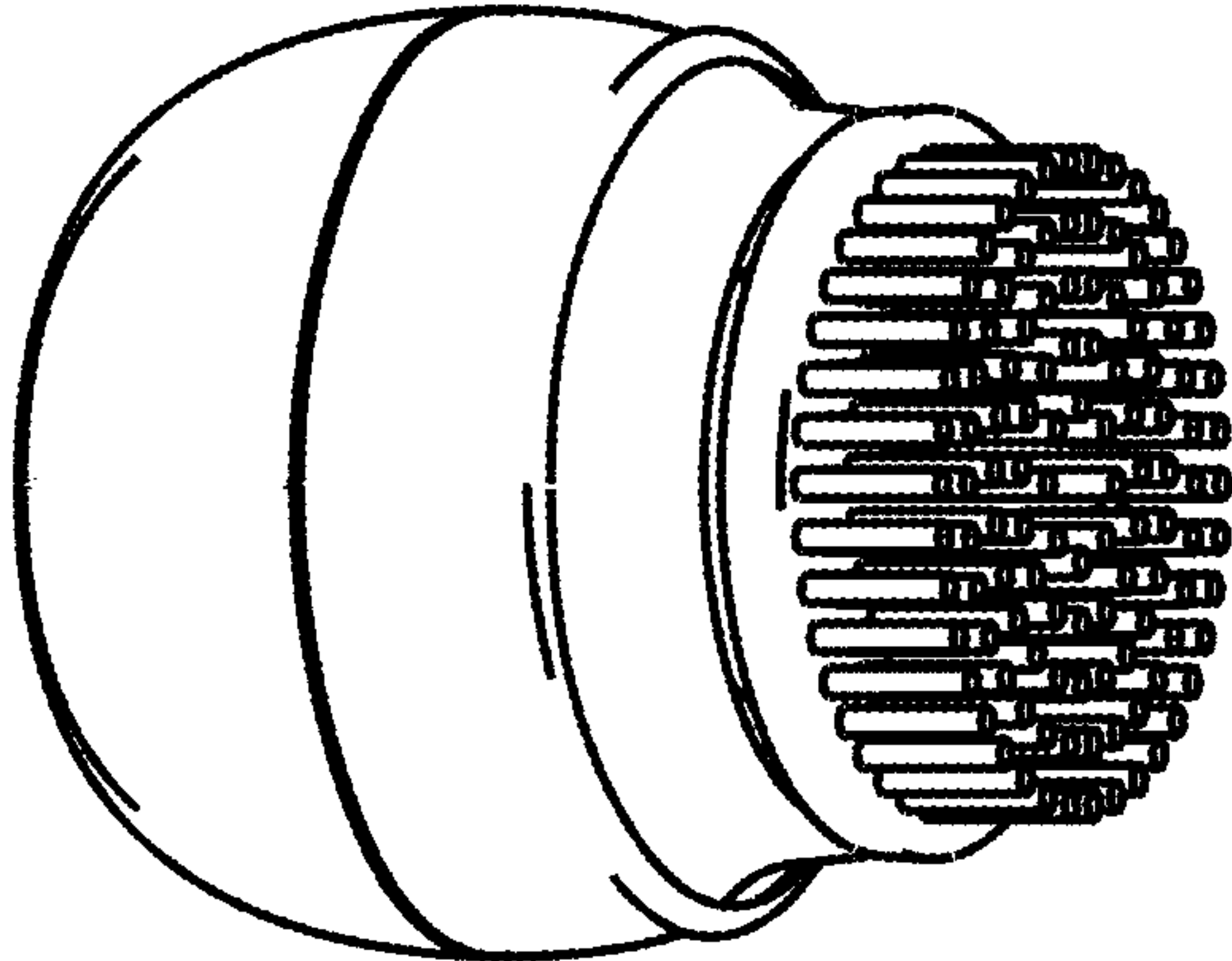


FIG. 16

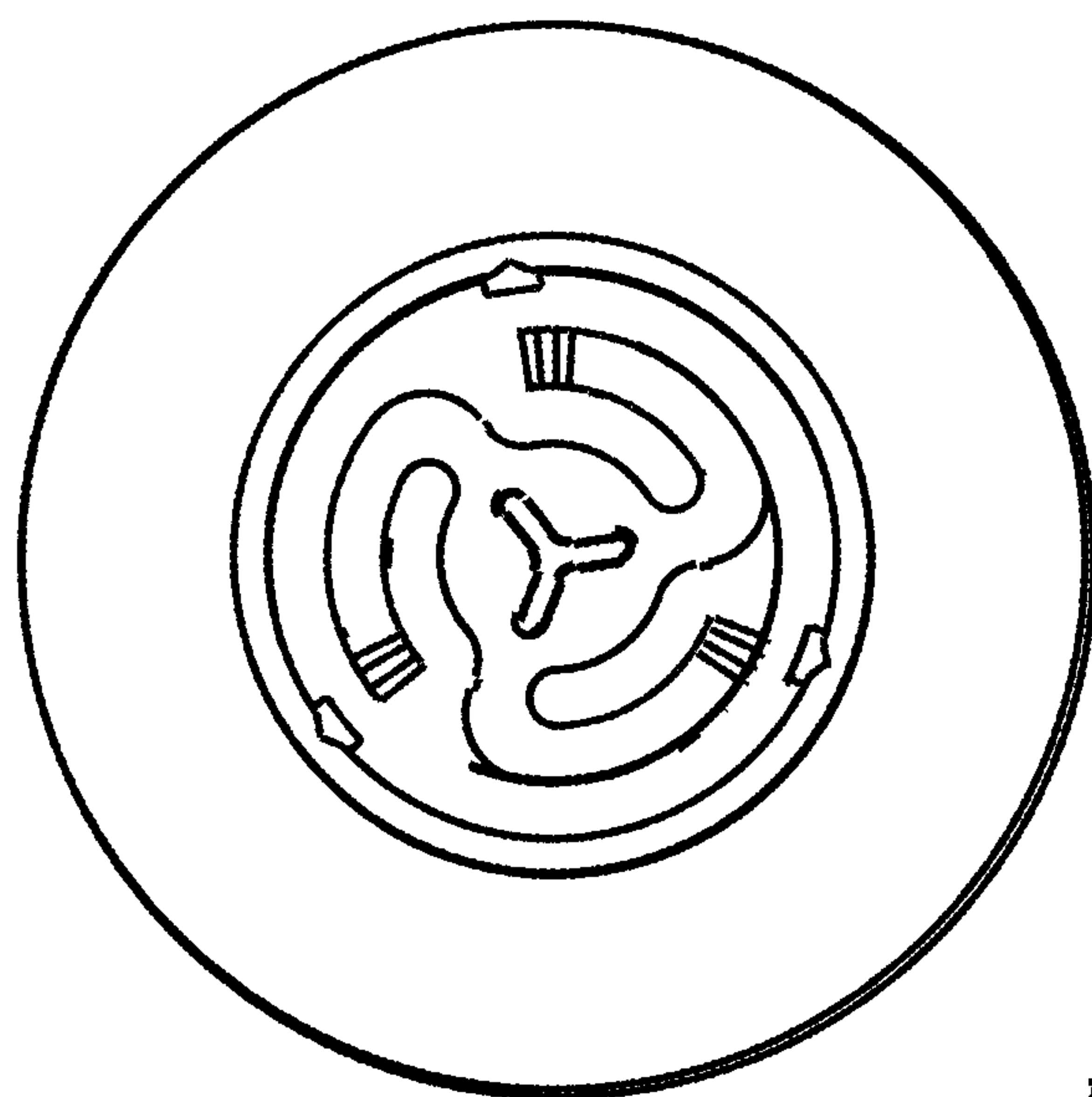


FIG. 17

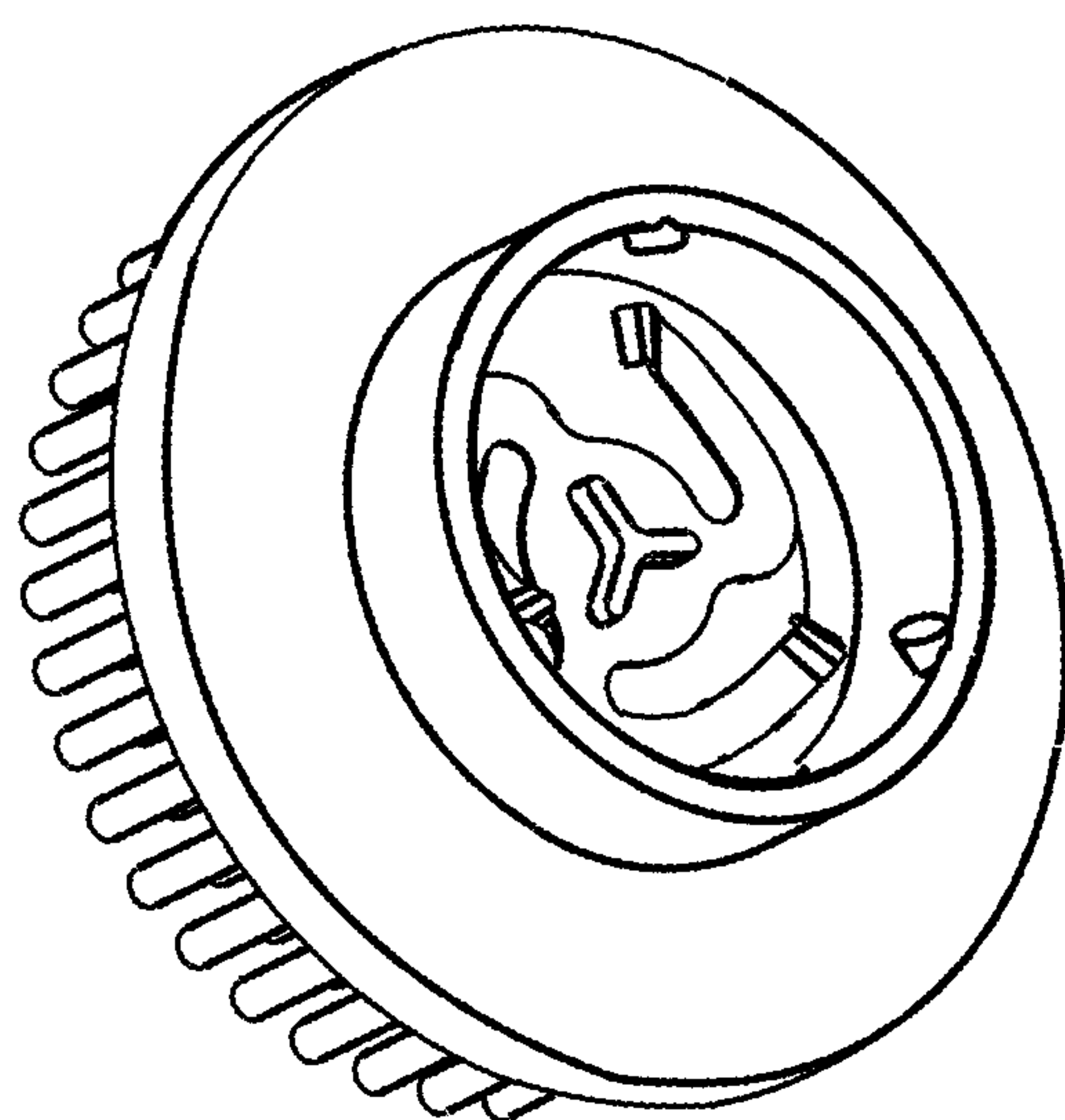


FIG. 18

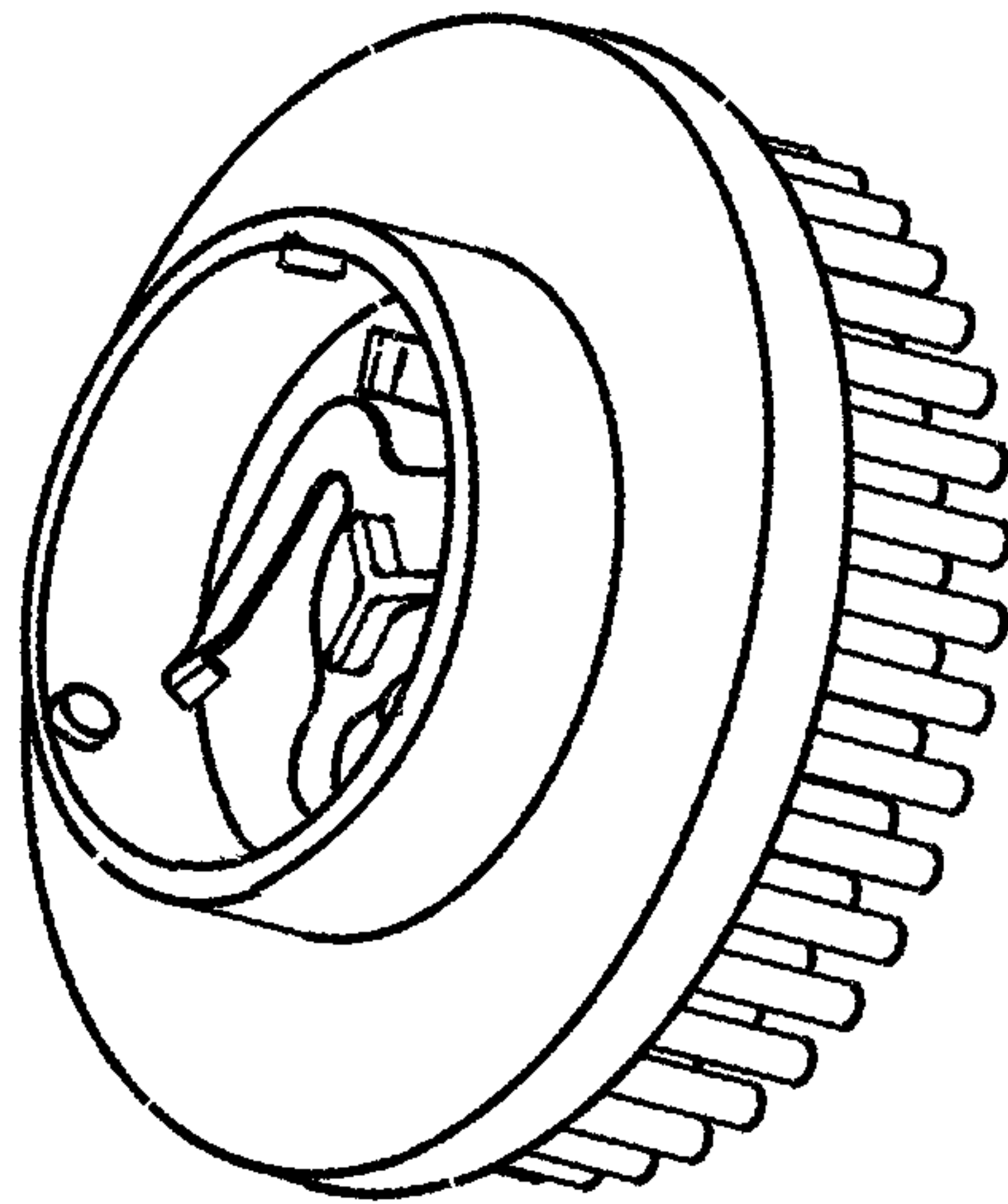


FIG. 19



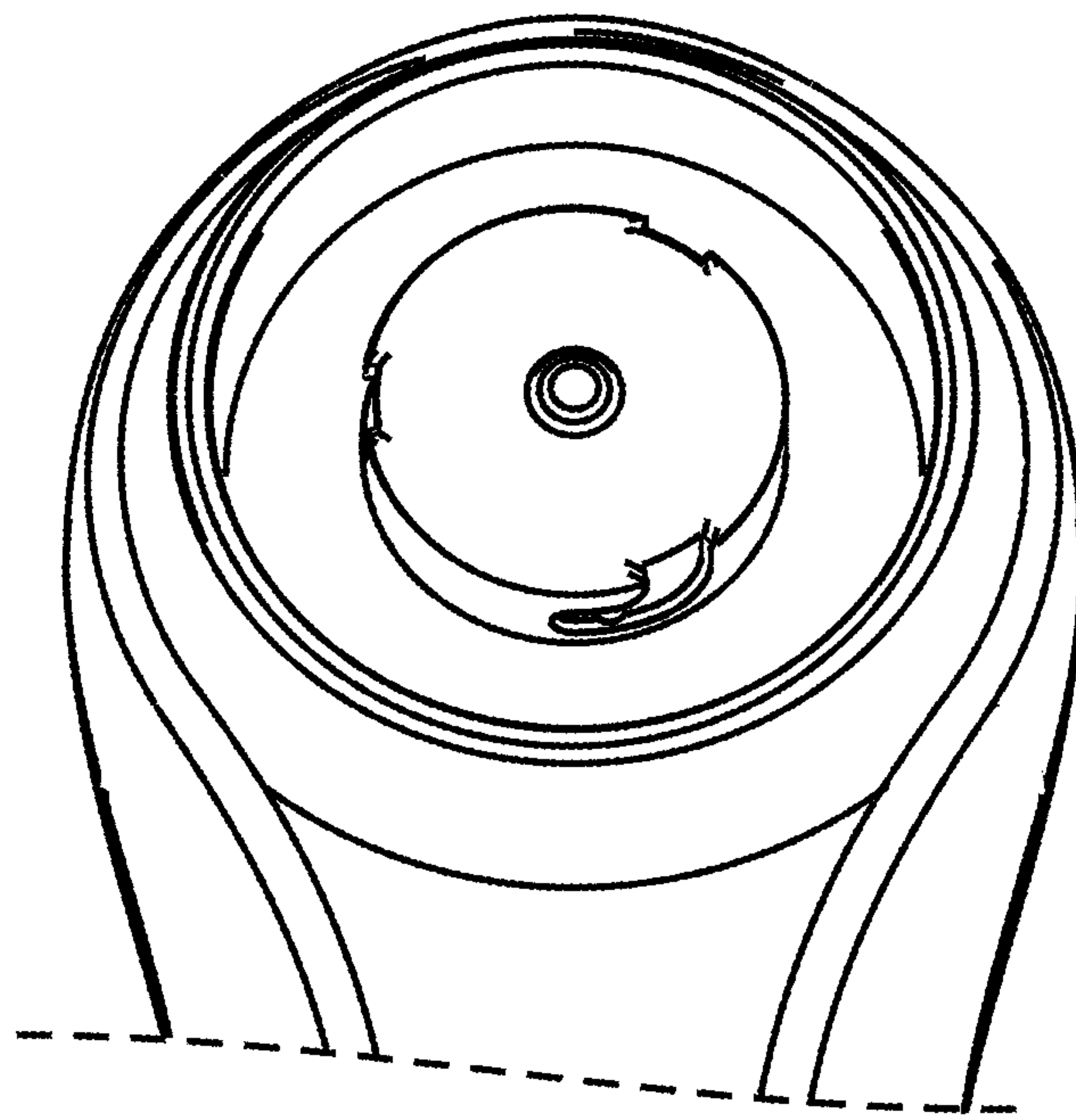


FIG. 20

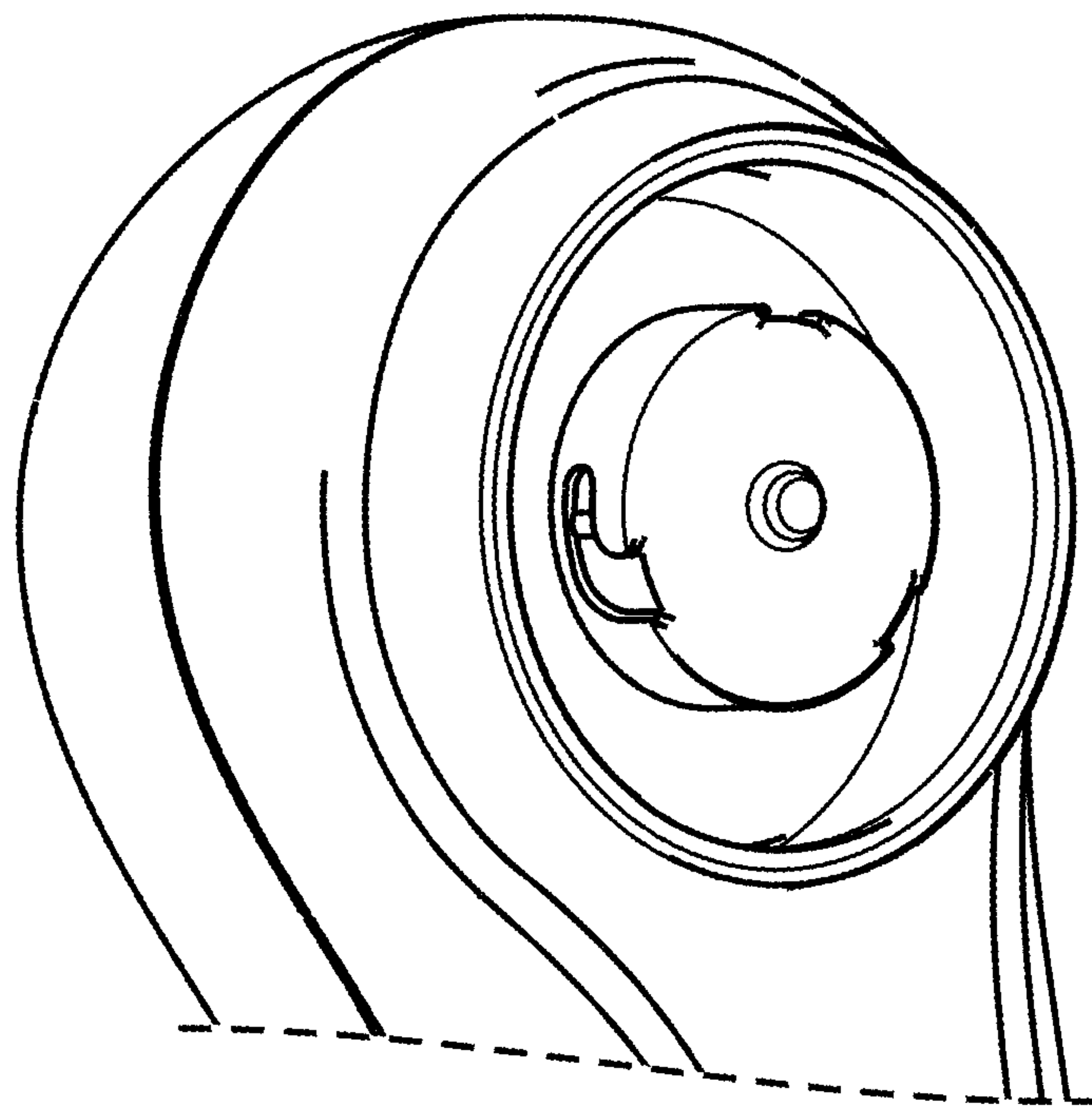


FIG. 21

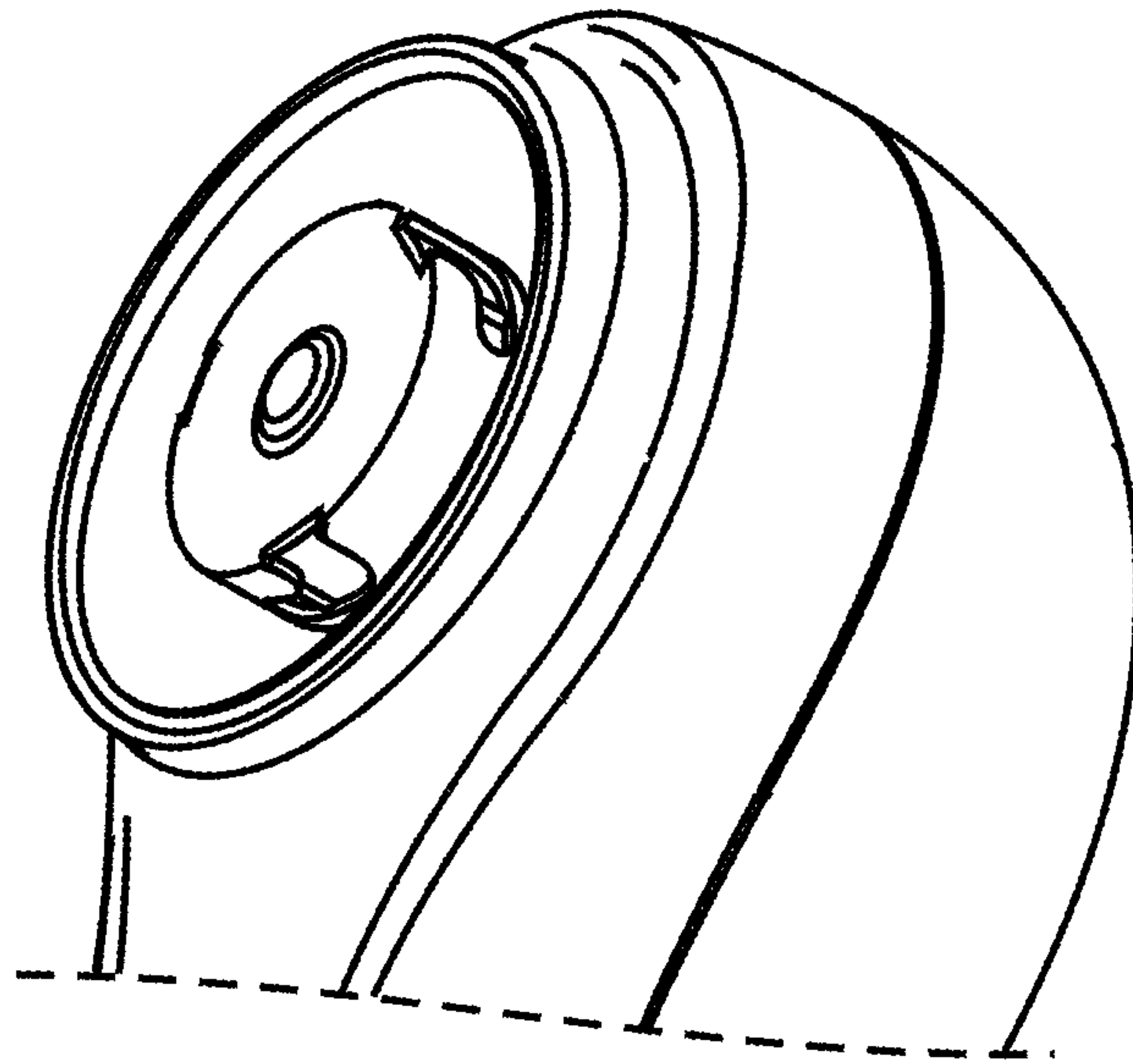


FIG. 22