



US00D803571S

(12) **United States Design Patent** (10) **Patent No.:** **US D803,571 S**
Sosa et al. (45) **Date of Patent:** **** Nov. 28, 2017**

(54) **TOOTH CLEANING APPARATUS**
(71) Applicant: **KONINKLIJKE PHILIPS N.V.**,
Eindhoven (NL)
(72) Inventors: **Leonardo Ochoa Sosa**, Seattle, WA
(US); **Bart Johannes Masee**, Kirkland,
WA (US)
(73) Assignee: **KONINKLIJKE PHILIPS N.V.**,
Eindhoven (NL)

D388,958 S * 1/1998 Hartwein D4/101
D458,028 S * 6/2002 McCurrach D4/101
D484,312 S * 12/2003 Li D4/101
D533,720 S * 12/2006 Vu D4/101
D577,198 S * 9/2008 Jimenez D4/101
D749,851 S * 2/2016 Watkins D4/101
D752,868 S * 4/2016 McGarry D4/101
D758,736 S * 6/2016 Shigeno D4/101
D759,381 S * 6/2016 Watkins D4/101
D759,382 S * 6/2016 Watkins D4/101
D766,581 S * 9/2016 Bloch D4/101
D771,389 S * 11/2016 Since D24/200
D771,951 S * 11/2016 Reishus D4/100

(**) Term: **15 Years**

* cited by examiner

(21) Appl. No.: **29/538,712**

Primary Examiner — John Windmuller

(22) Filed: **Sep. 8, 2015**

Assistant Examiner — Steven Czyz

(74) *Attorney, Agent, or Firm* — Dawn C. Wolff

(30) **Foreign Application Priority Data**

Mar. 10, 2015 (EM) 002649335-0001

(51) **LOC (10) Cl.** **04-02**

(52) **U.S. Cl.**
USPC **D4/100**

(58) **Field of Classification Search**
USPC D4/100, 101, 104, 108, 113, 114, 115,
D4/116, 138, 199

CPC A46B 5/0095; A46B 5/02; A46B 13/02;
A46B 13/001; A46B 13/06; A46B
2200/1026; A46B 2200/1066

See application file for complete search history.

(56) **References Cited**

U.S. PATENT DOCUMENTS

D353,490 S * 12/1994 Hartwein D13/108
D354,168 S * 1/1995 Hartwein D13/108

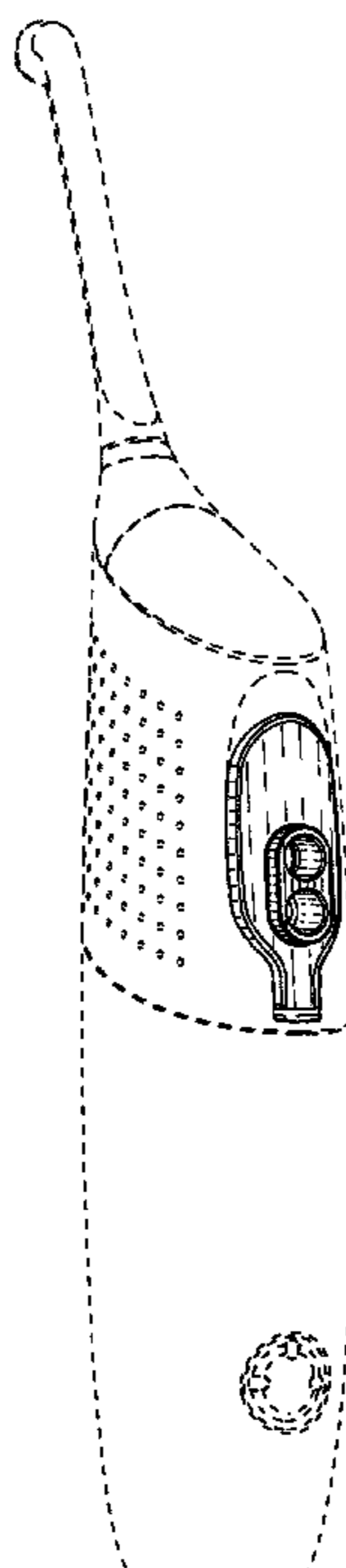
(57) **CLAIM**

The ornamental design for a tooth cleaning apparatus, as shown and described.

DESCRIPTION

FIG. 1 is a perspective view of a tooth cleaning apparatus showing our new design;
FIG. 2 is a front elevation view thereof;
FIG. 3 is a rear elevation view thereof;
FIG. 4 is a right side elevation view thereof;
FIG. 5 is a left side elevation view thereof;
FIG. 6 is a top plan view thereof; and,
FIG. 7 is a bottom plan view thereof.
The broken lines shown in the figures depict portions of the article that form no part of the claimed design.

1 Claim, 6 Drawing Sheets



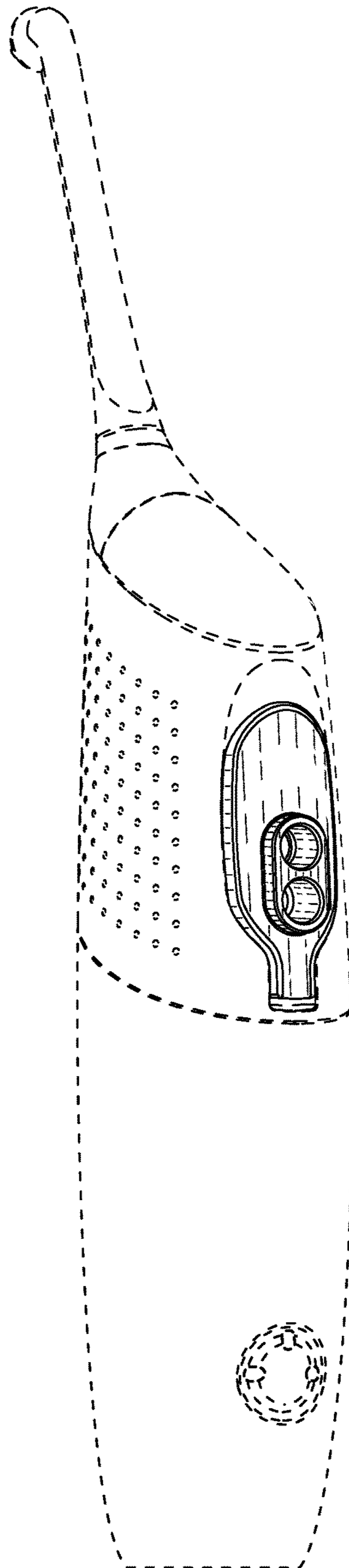


FIG. 1

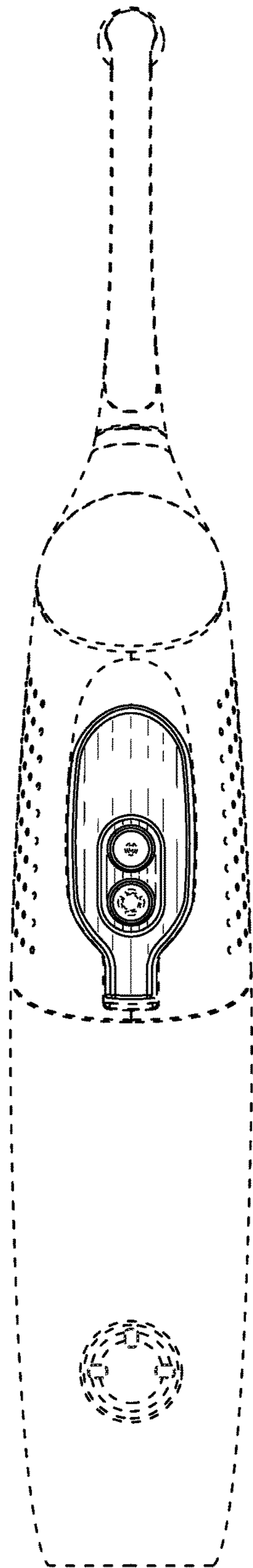


FIG. 2

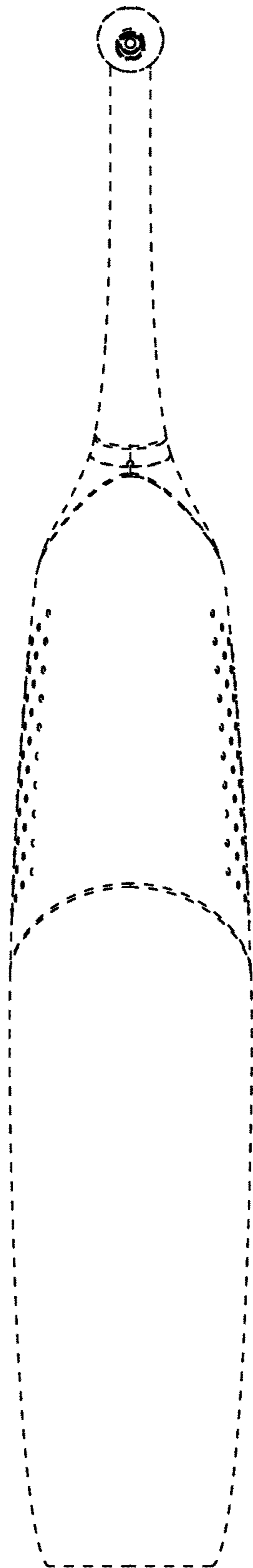


FIG. 3

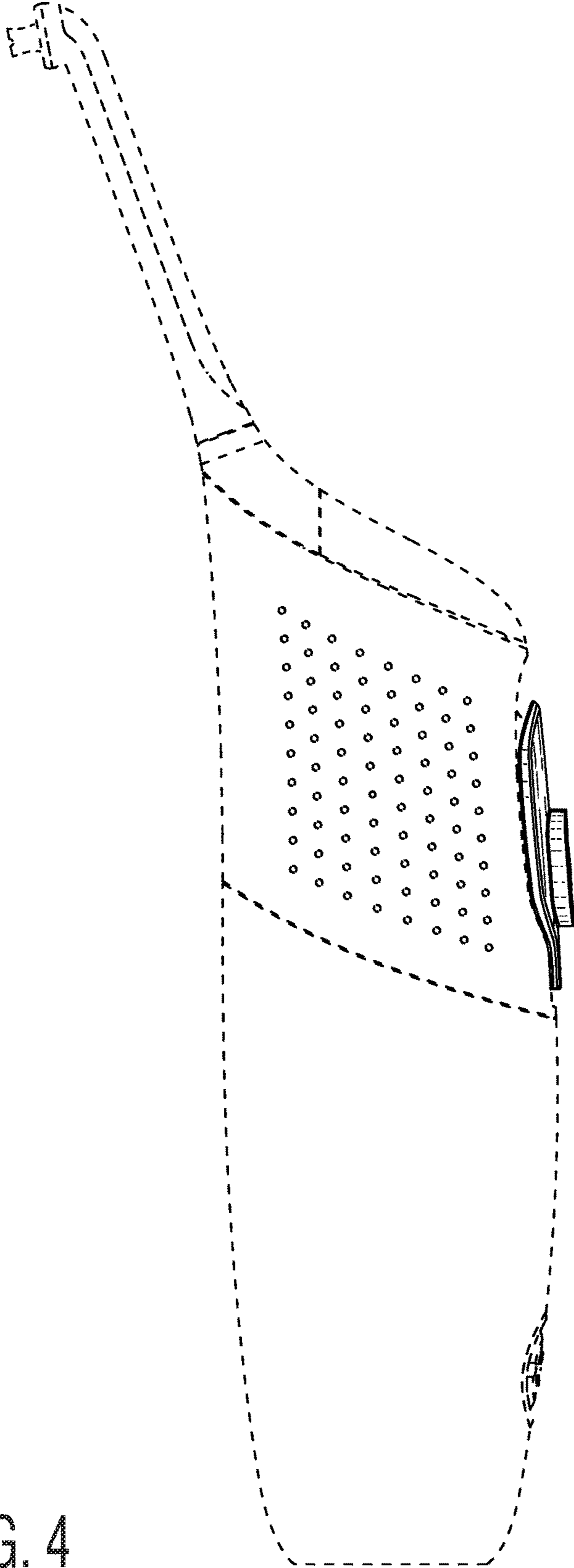


FIG. 4

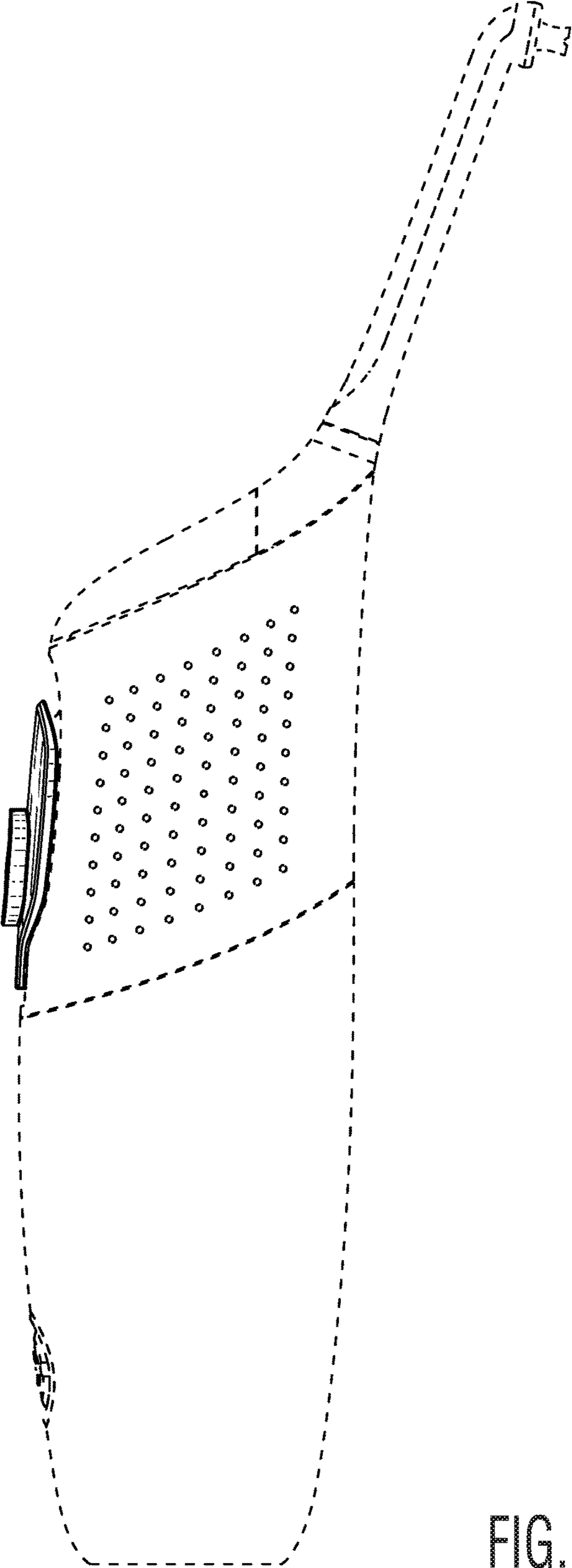


FIG. 5

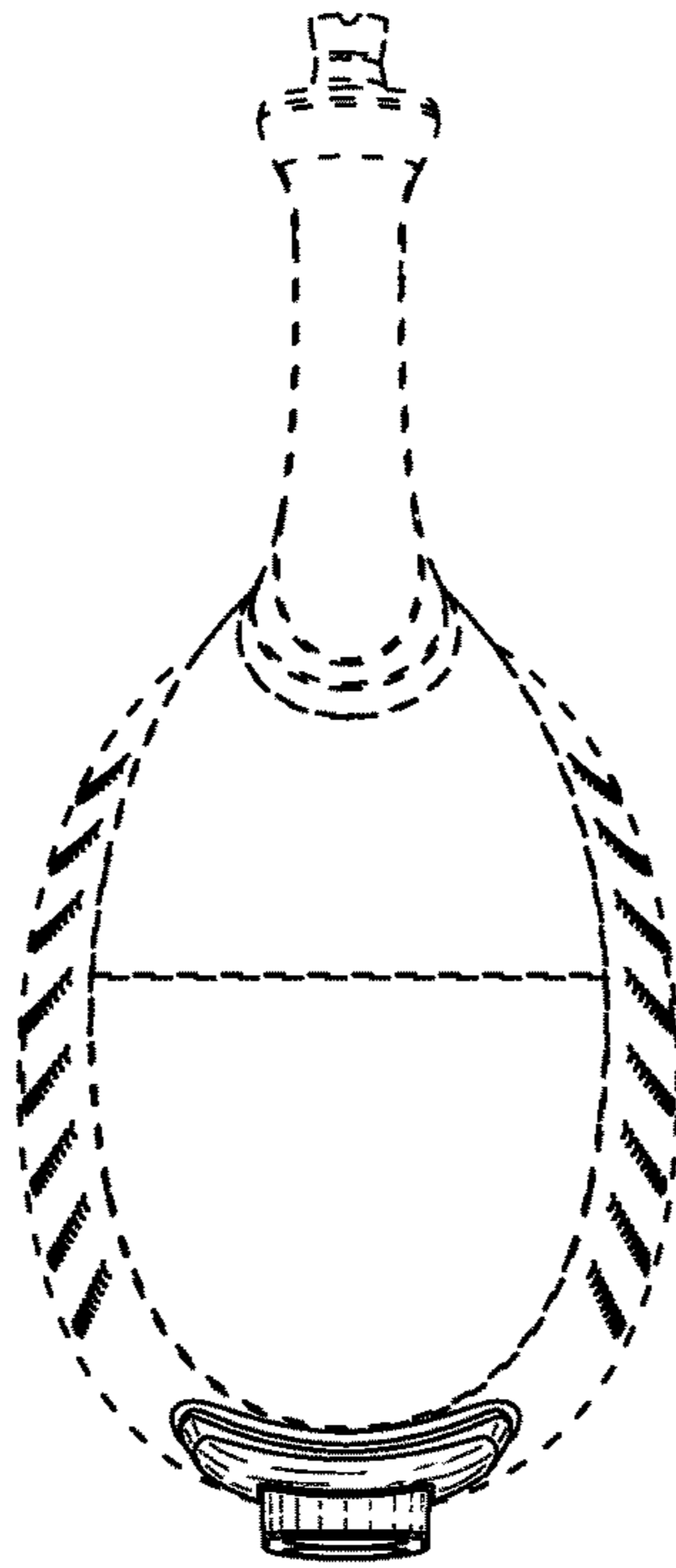


FIG. 6

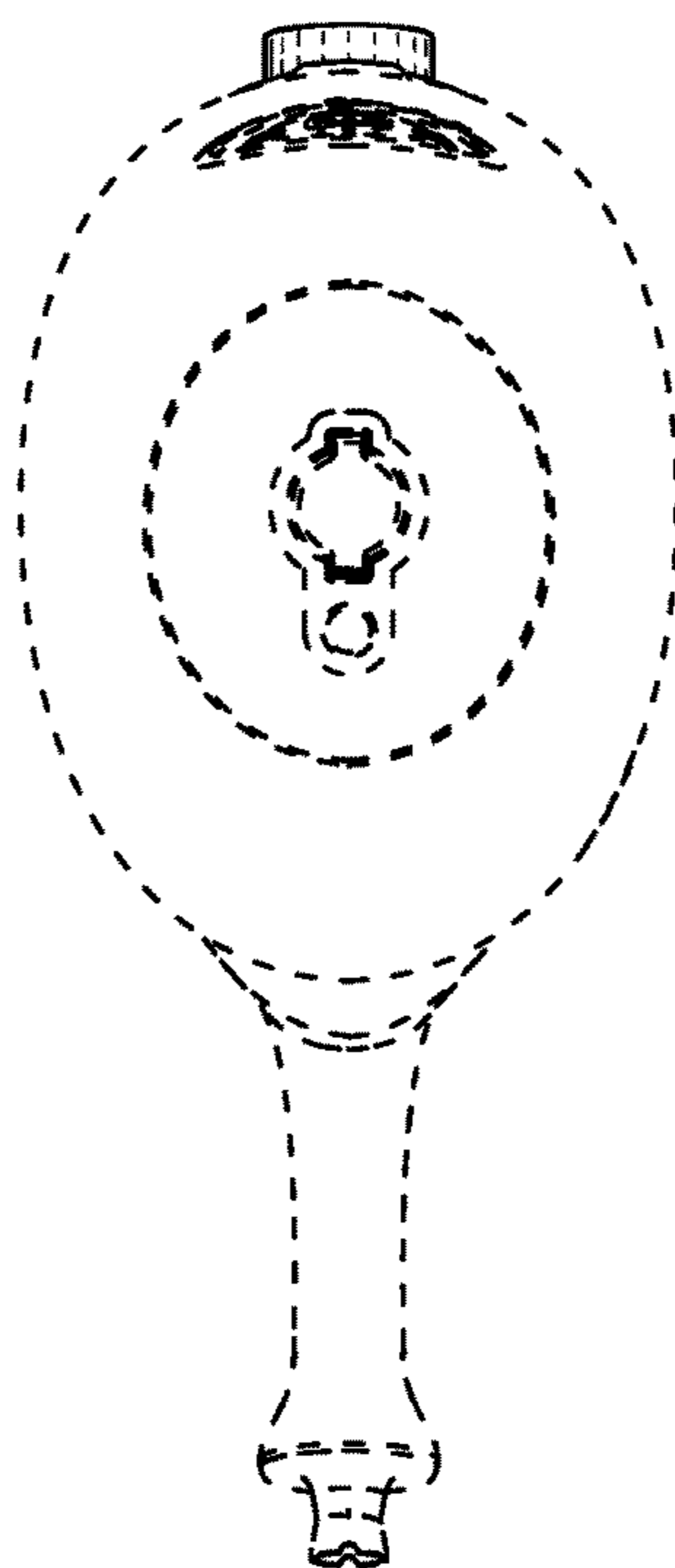


FIG. 7