



US00D803566S

(12) **United States Design Patent** (10) **Patent No.:** **US D803,566 S**
Hsieh (45) **Date of Patent:** **** Nov. 28, 2017**

(54) **TOOL HOLDER**
(71) Applicant: **Chih-Chien Hsieh**, Taichung (TW)
(72) Inventor: **Chih-Chien Hsieh**, Taichung (TW)
(**) Term: **15 Years**
(21) Appl. No.: **29/586,999**
(22) Filed: **Dec. 8, 2016**
(51) **LOC (10) Cl.** **03-01**
(52) **U.S. Cl.**
USPC **D3/312**
(58) **Field of Classification Search**
USPC D3/226, 228, 245, 246, 283-284,
D3/303-304, 308, 313, 315, 319, 328;
D6/515, 567, 574, 675, 682, 682.1
CPC B25H 3/003; B25H 3/006; B25H 3/06
See application file for complete search history.

D725,993 S * 4/2015 Ernst D8/339
D736,522 S * 8/2015 Hsieh D3/313
D738,039 S * 9/2015 Chen D27/183
D747,103 S * 1/2016 Amash D3/313
D748,395 S * 2/2016 Hsieh D3/313
D749,429 S * 2/2016 Fath D9/737
D774,765 S * 12/2016 Hsieh D3/313
D787,185 S * 5/2017 Hsieh D3/313

* cited by examiner

Primary Examiner — Kelley Donnelly
(74) *Attorney, Agent, or Firm* — Egbert Law Offices,
PLLC

(57) **CLAIM**

The ornamental design for a tool holder, as shown and described.

DESCRIPTION

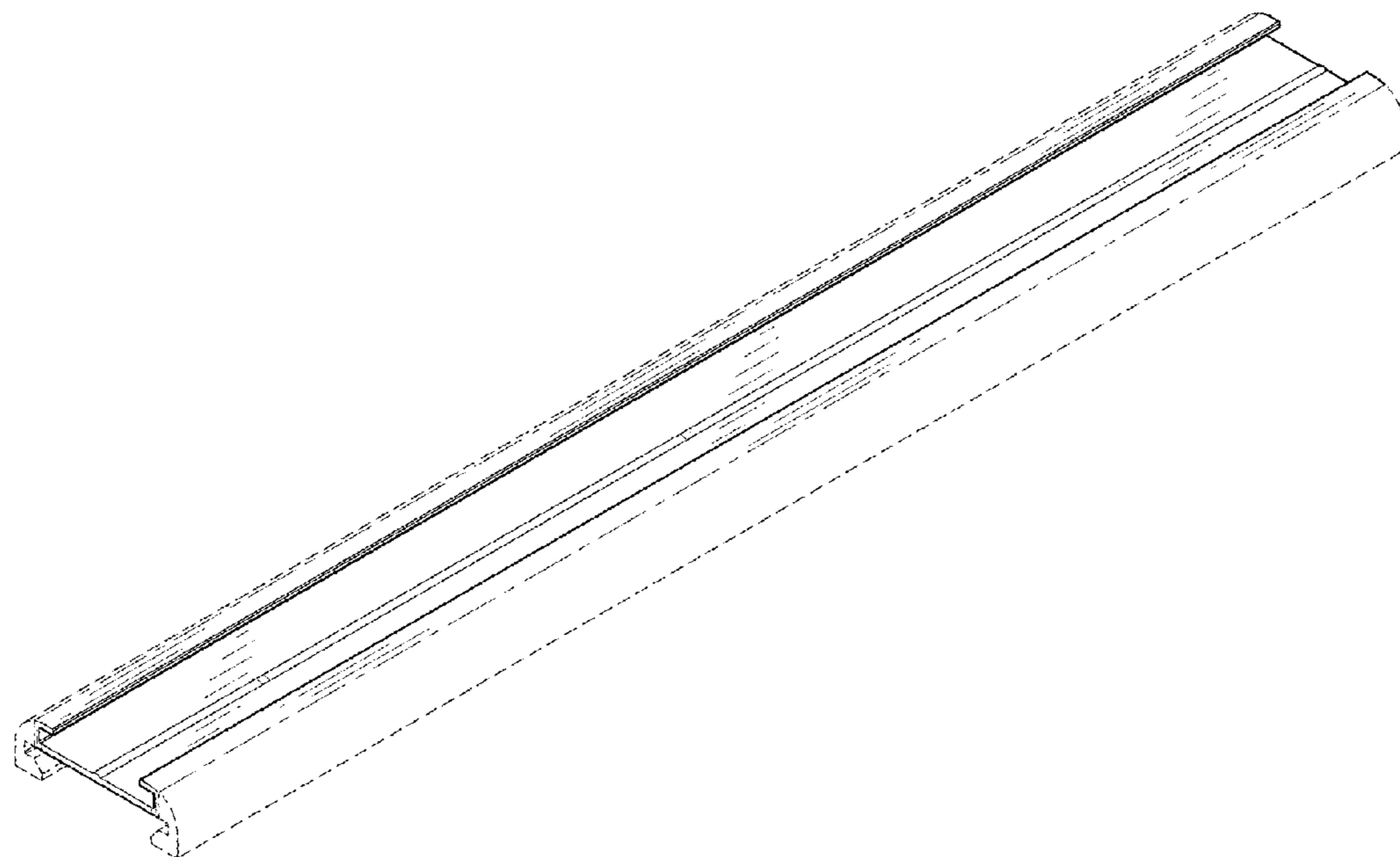
FIG. 1 is a right side perspective view of a tool holder showing my new design, a left side perspective view being a mirror image thereof.
FIG. 2 is a front elevation view thereof, a rear elevation view being identical;
FIG. 3 is a top plan view thereof;
FIG. 4 is a bottom plan view; and,
FIG. 5 is right side perspective view of the tool holder showing tools secured therein.
The portions of the tool holder presented in broken lines represent unclaimed portions of the tool holder and form no part of the claimed design. The tools depicted in broken lines in FIG. 5 are for illustrative purposes only and form no part of the claimed design.

(56) **References Cited**

U.S. PATENT DOCUMENTS

1,758,098 A * 5/1930 Williams A47F 5/005
211/59.2
D342,880 S * 1/1994 Clancy D3/313
D355,554 S * 2/1995 Phelps D6/567
D364,526 S * 11/1995 Laufenberg D6/570
6,860,574 B2 * 3/2005 Hwang A47B 88/493
312/334.11
D520,148 S * 5/2006 Kendall D25/138
D607,252 S * 1/2010 Meyer D6/534
D623,035 S * 9/2010 Rivera D8/70
D659,192 S * 5/2012 Kim D19/85
D720,540 S * 1/2015 Lin D3/315

1 Claim, 5 Drawing Sheets



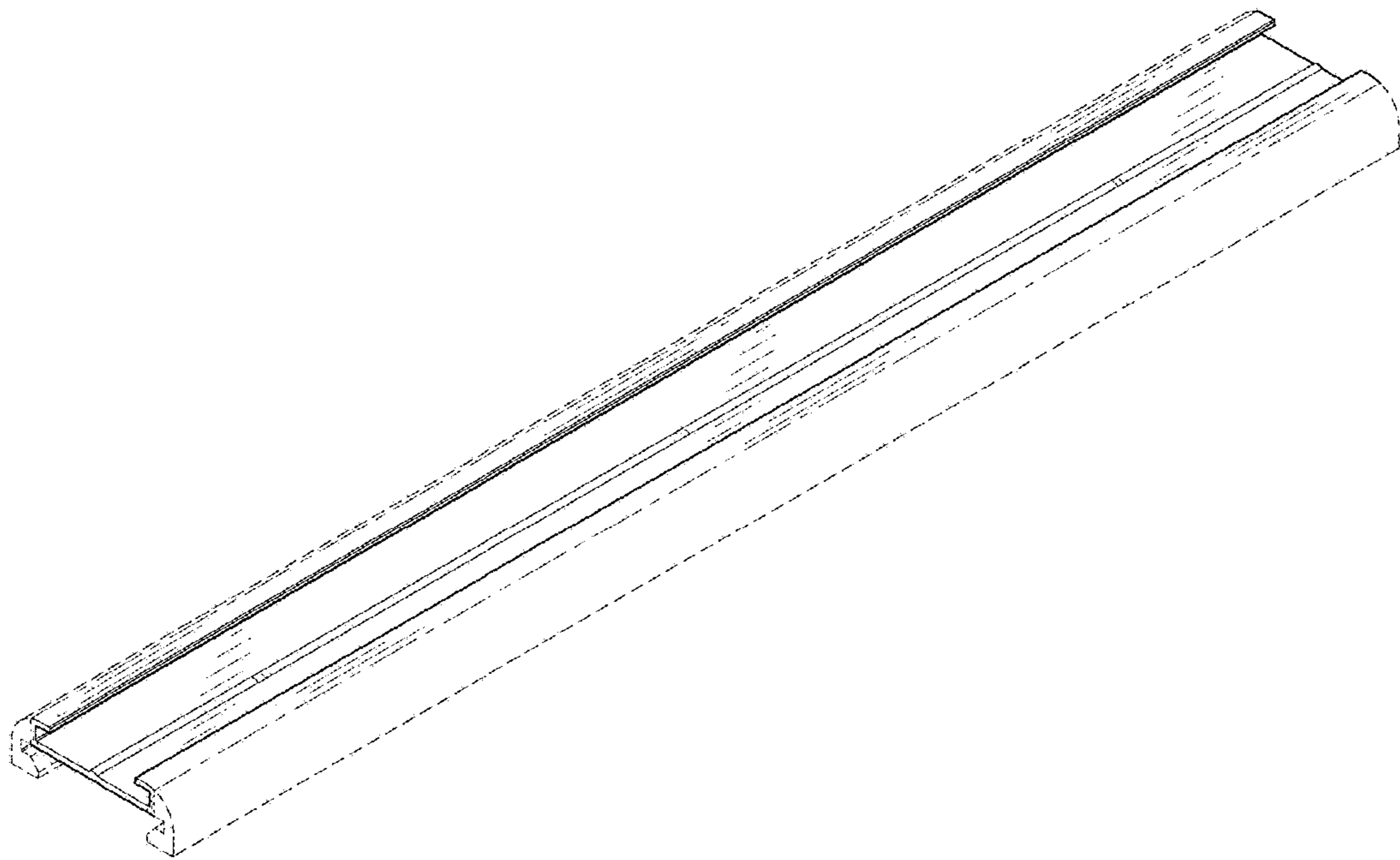


FIG. 1

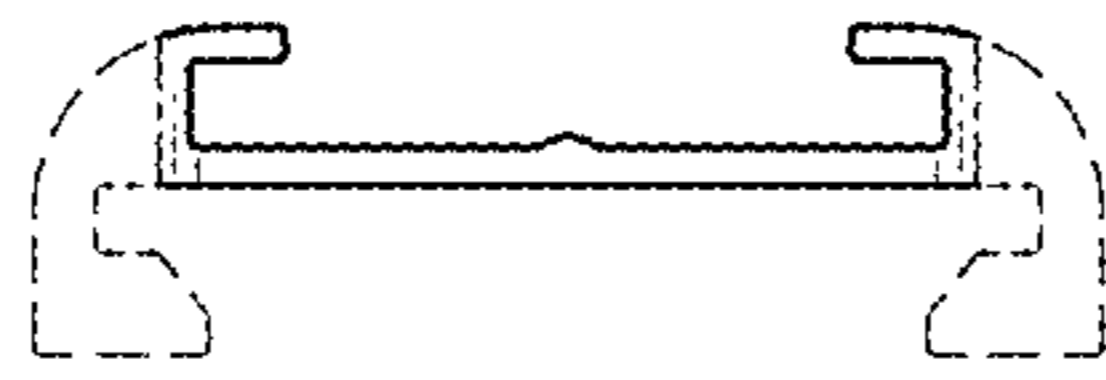


FIG. 2

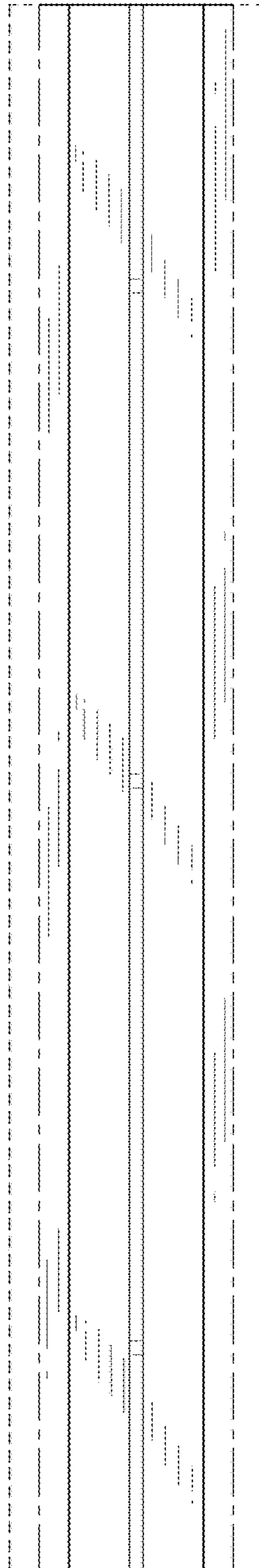


FIG. 3

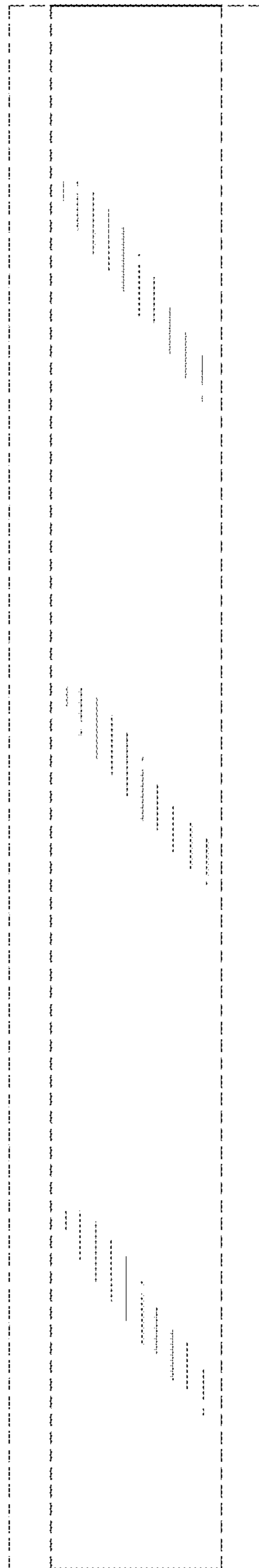


FIG. 4

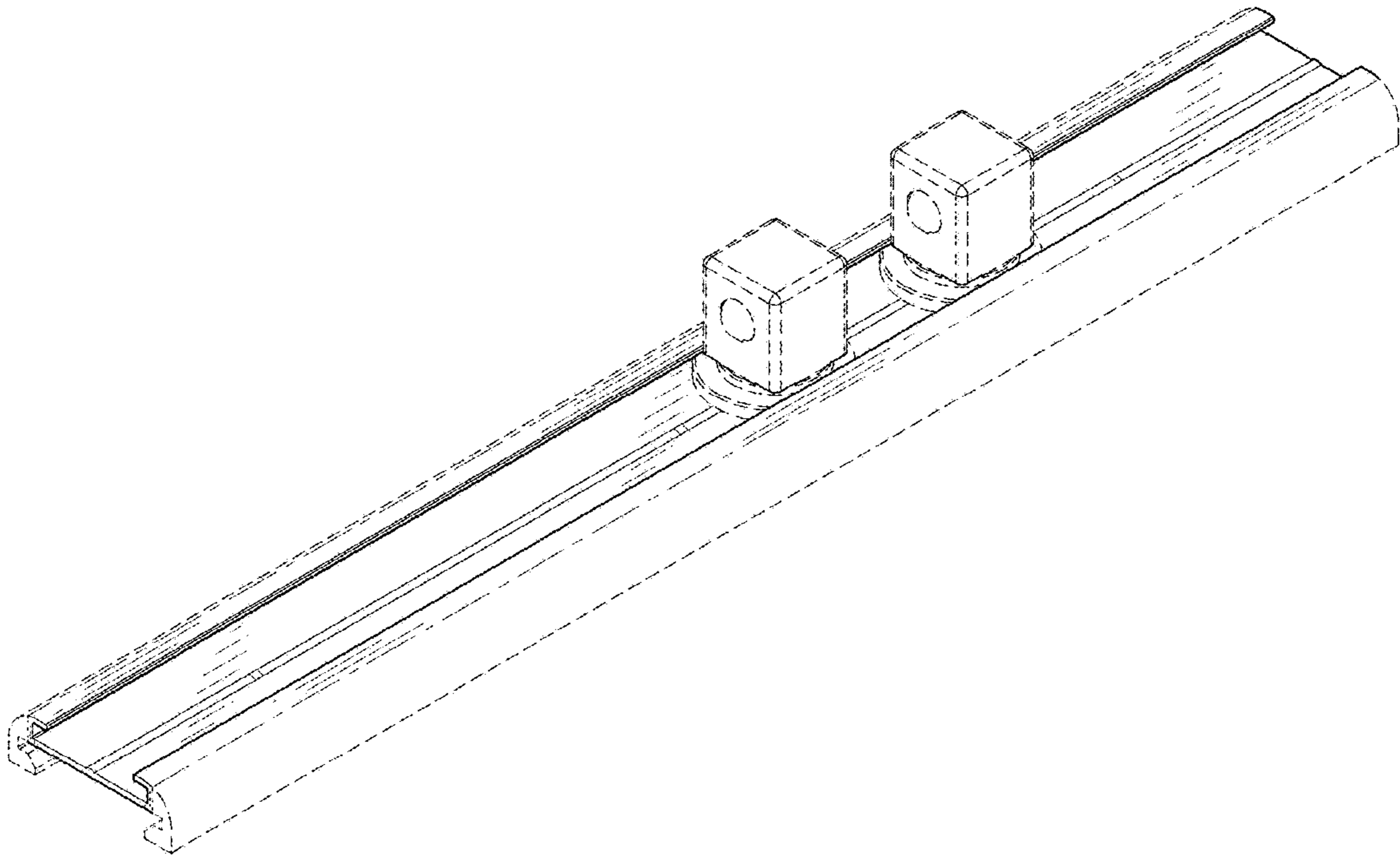


FIG. 5