



US00D803562S

(12) **United States Design Patent** (10) **Patent No.:** **US D803,562 S**
Nordwall (45) **Date of Patent:** **** Nov. 28, 2017**

(54) **CONTAINER WITH LIDS**
(71) Applicant: **LIGHT MY FIRE SWEDEN AB,**
Malmö (SE)
(72) Inventor: **Joachim Nordwall,** Djursholm (SE)
(**) Term: **15 Years**
(21) Appl. No.: **35/500,445**
(22) Filed: **Nov. 3, 2015**

D444,702 S * 7/2001 Castleberry, II D9/746
D446,122 S * 8/2001 Weinstein D9/428
D515,439 S * 2/2006 Pace B65D 25/04
D9/741
D554,865 S * 11/2007 Roesler D3/282
D558,451 S * 1/2008 Roesler D3/282
D558,978 S * 1/2008 Roesler D3/282
D565,412 S * 4/2008 Fuller D9/454
D604,638 S * 11/2009 Kim D9/556
D605,529 S * 12/2009 Holtrop D9/454
D606,752 S * 12/2009 Evans D3/302
D640,935 S * 7/2011 Davies D9/453

(Continued)

(80) **Hague Agreement Data**

Int. Filing Date: **Nov. 3, 2015**
Int. Reg. No.: **DM/088688**
Int. Reg. Date: **Nov. 3, 2015**
Int. Reg. Pub. Date: **Jan. 1, 2016**

(51) **LOC (10) Cl.** **03-01**
(52) **U.S. Cl.**
USPC **D3/283**

(58) **Field of Classification Search**
USPC D3/283, 282, 280, 276; D9/682, 684,
D9/686-691, 737, 738, 741, 745, 746,
D9/747, 500, 503, 504, 516, 520, 524,
D9/529, 549, 556, 558, 574, 434, 435,
D9/453
CPC B65D 1/0223; B65D 79/005; B65D
2501/0036; B65D 2501/0081; B65D
2501/0027

See application file for complete search history.

(56) **References Cited**

U.S. PATENT DOCUMENTS

3,369,691 A * 2/1968 Tohchung A47J 47/14
206/503
3,545,659 A * 12/1970 Libby A45F 5/00
150/107
D225,513 S * 12/1972 Waag D3/201
D333,383 S * 2/1993 Brooks D3/283
D362,801 S * 10/1995 Milroy D9/428

OTHER PUBLICATIONS

Pacific Market International (PMI), Aladdin Bento, europe.aladdin-
pmi.com.

(Continued)

Primary Examiner — Barbara Fox
Assistant Examiner — Holly E Thurman

(57) **CLAIM**

The ornamental design for a container with lids, as shown
and described.

DESCRIPTION

1.1 is a perspective view of a container with lids showing the
following elements separated for clarity of disclosure: a
handle for the container assembly, a first container, a first lid,
a second container, a second lid, and a third container.

1.2 is another perspective view thereof shown in an
assembled state.

1.3 is a front view thereof.

1.4 is right side view thereof.

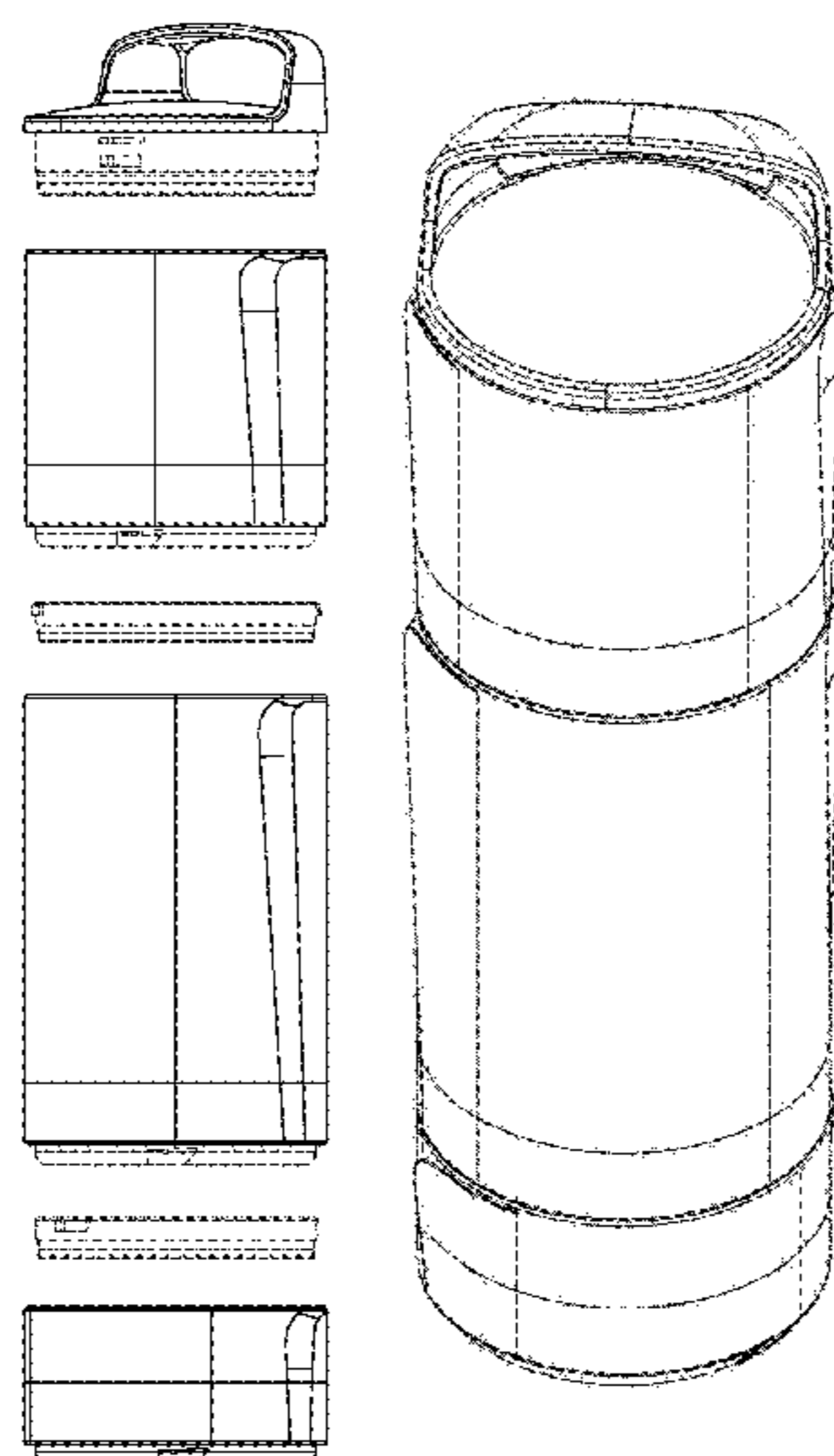
1.5 is a left side view thereof.

1.6 is a top view thereof.

1.7 is a bottom view thereof.

The broken lines in the drawings illustrate the portions of the
container with lids that form no part of the claimed design.

1 Claim, 7 Drawing Sheets



(56)

References Cited

U.S. PATENT DOCUMENTS

2009/0080180 A1* 3/2009 Bertken A47G 19/2227
362/101
2009/0261098 A1* 10/2009 Coffey B65D 1/06
220/200

OTHER PUBLICATIONS

Simba, Ultra Portable Formula Dispenser and Snack Container,
www.simbaus.com.

O&C Resources Berhad, Japlo, takaso.com.my.

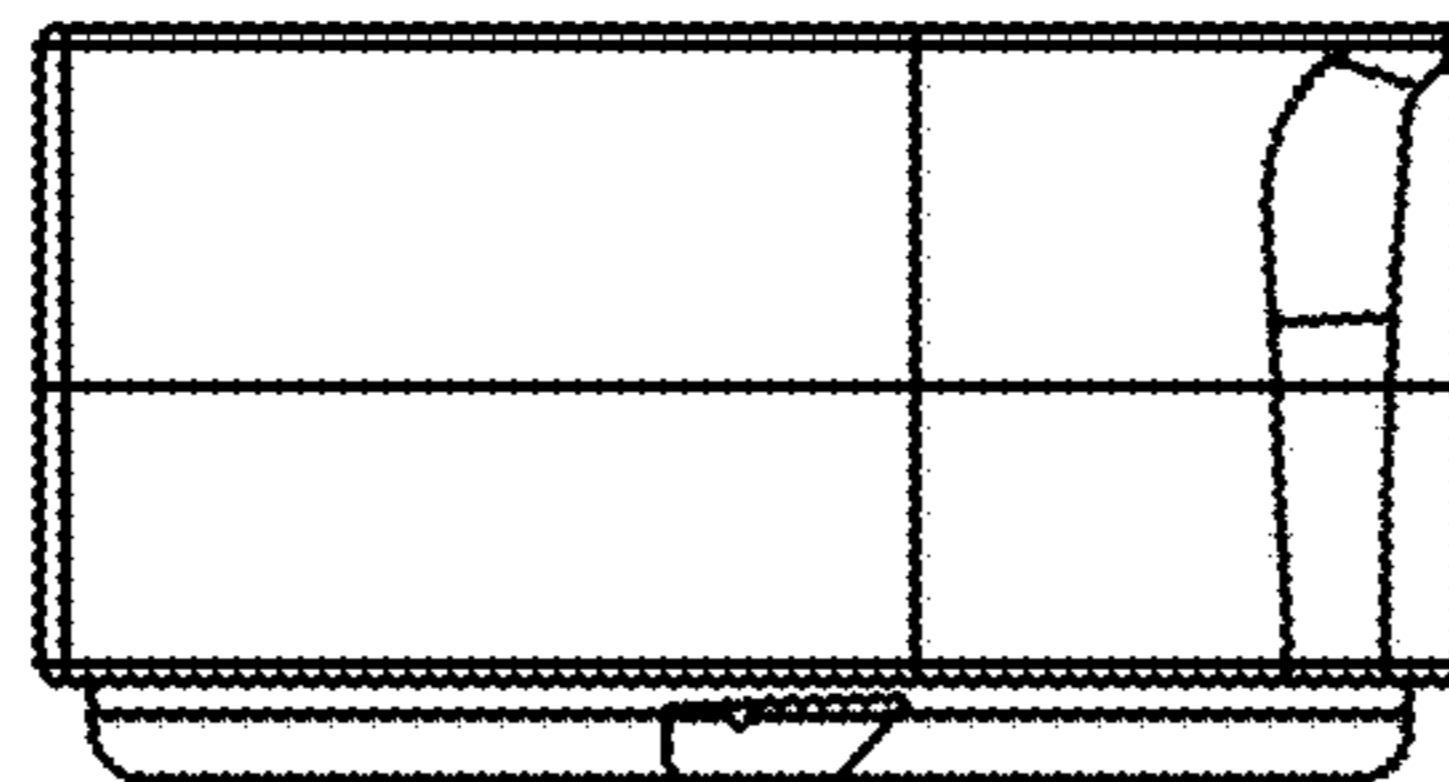
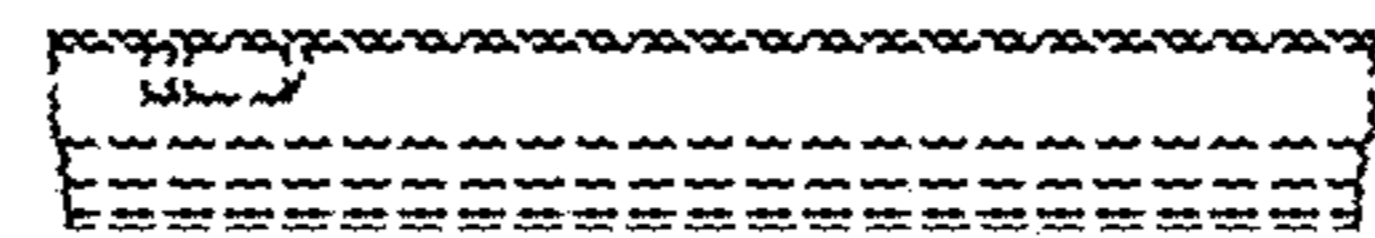
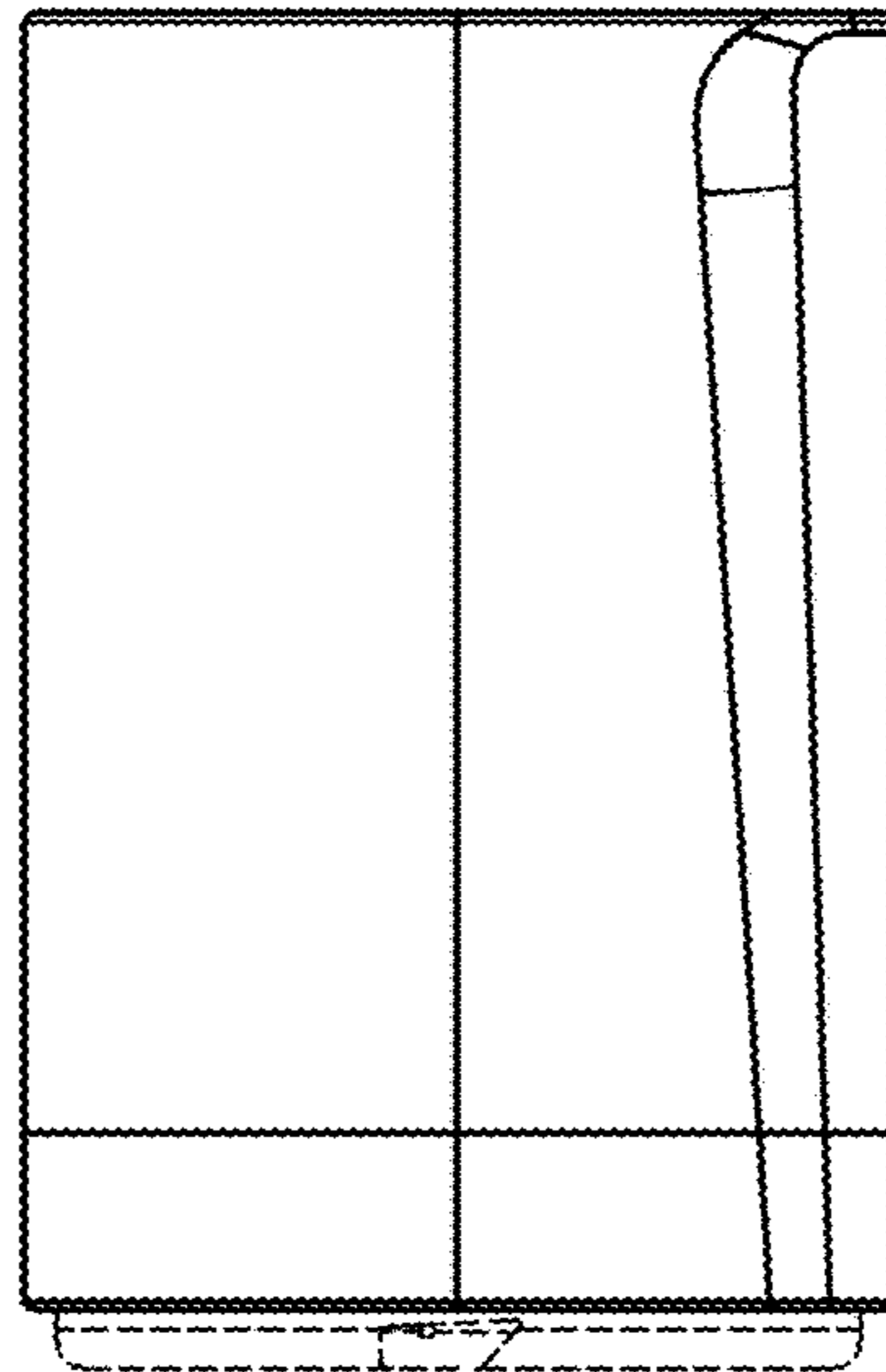
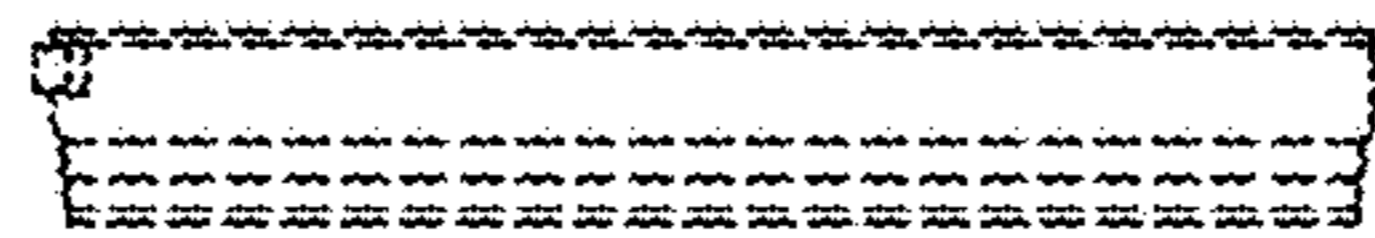
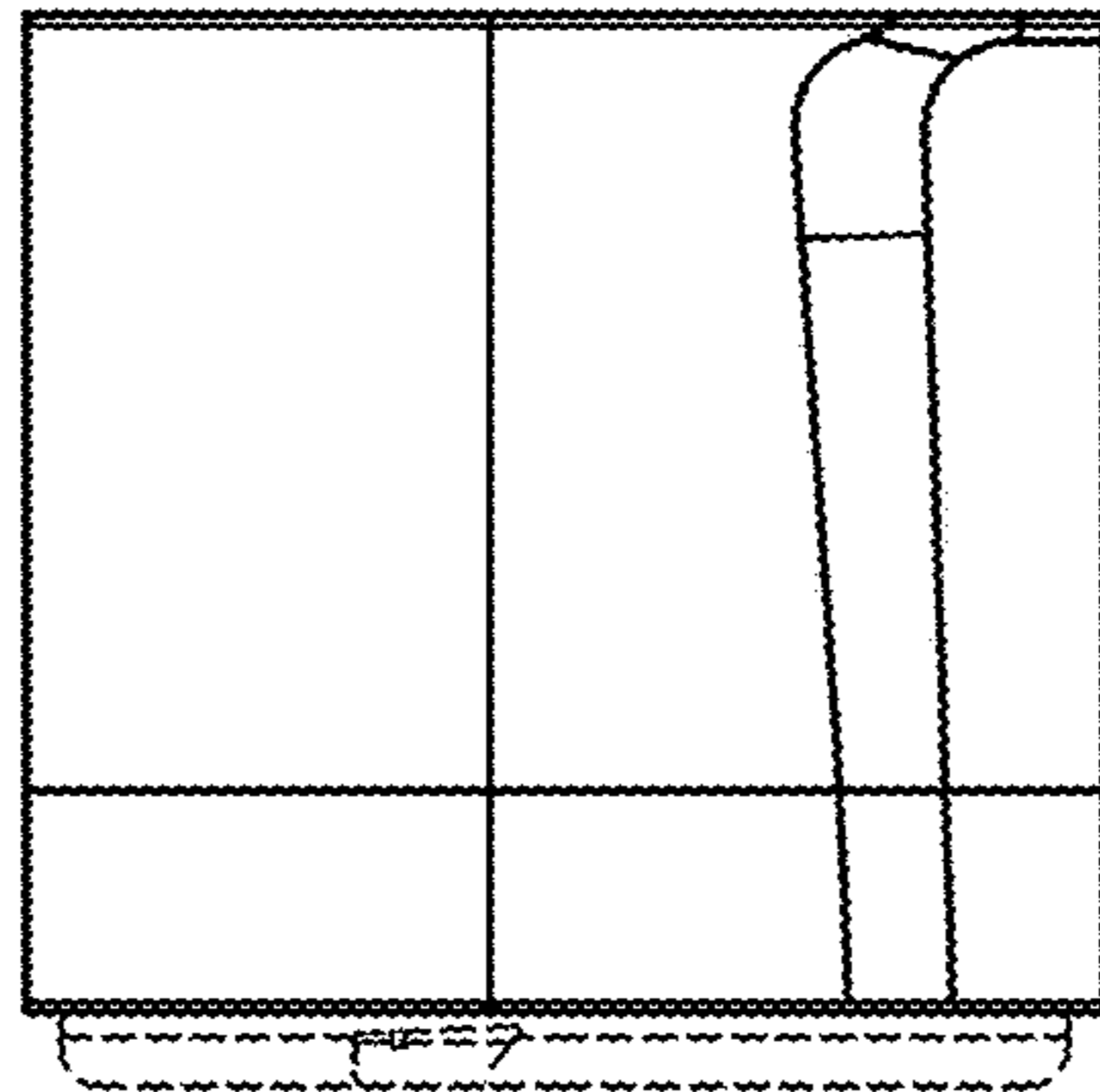
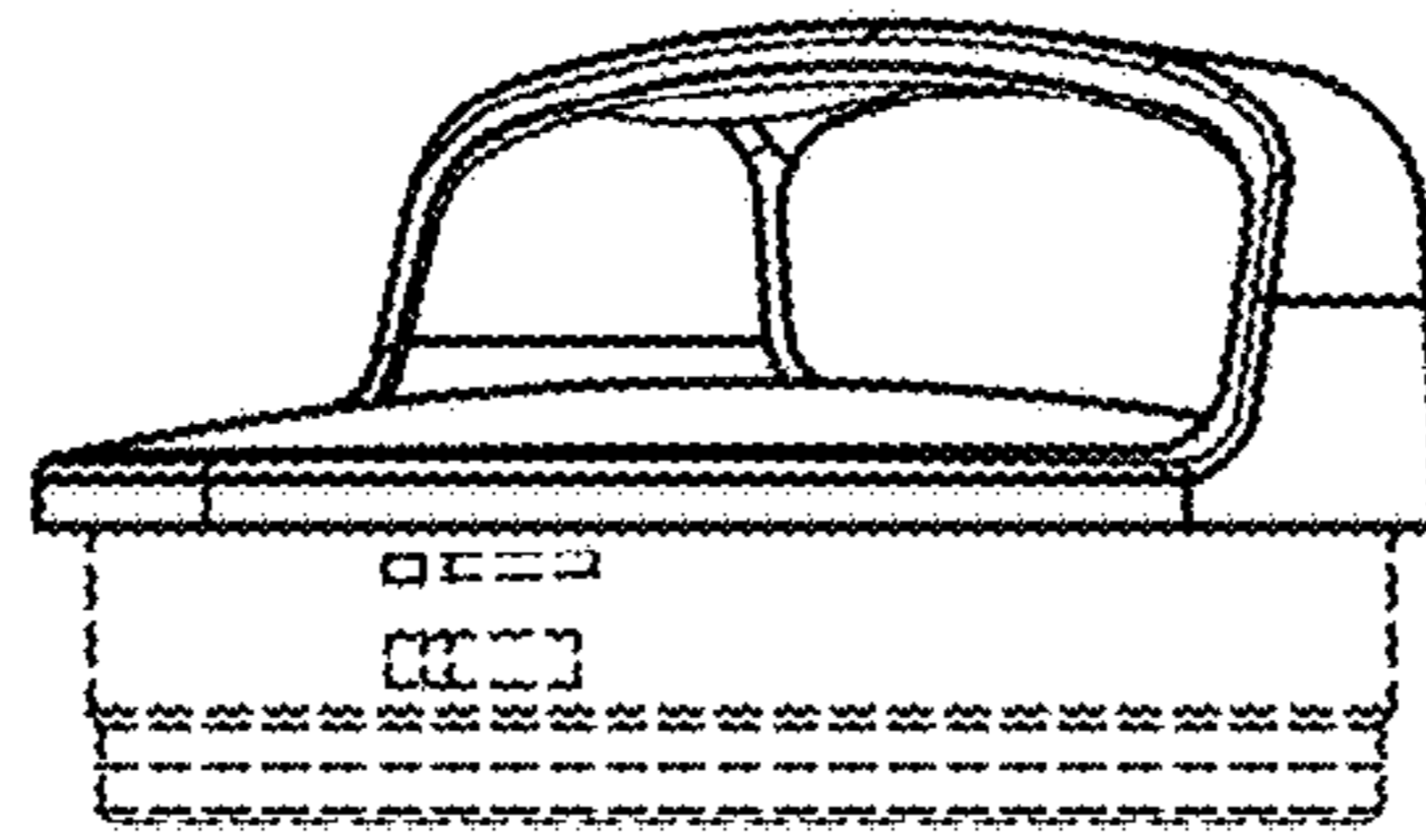
BlenderBottle Company US, GoStack, www.blenderbottle.com.

BlenderBottle Company US, GoStack, www.blenderbottle.com.

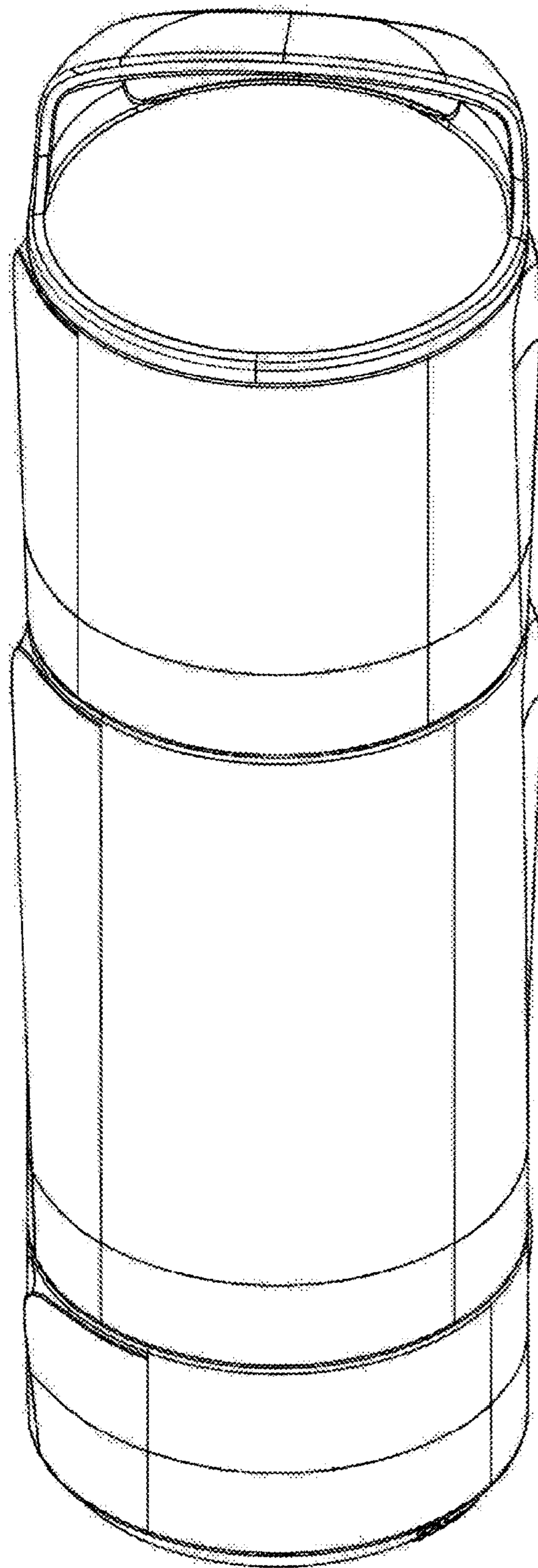
GearPods Corporation, Gearpod, www.gearpods.com.

Clevamama, Travel Container, www.clevamama.com.

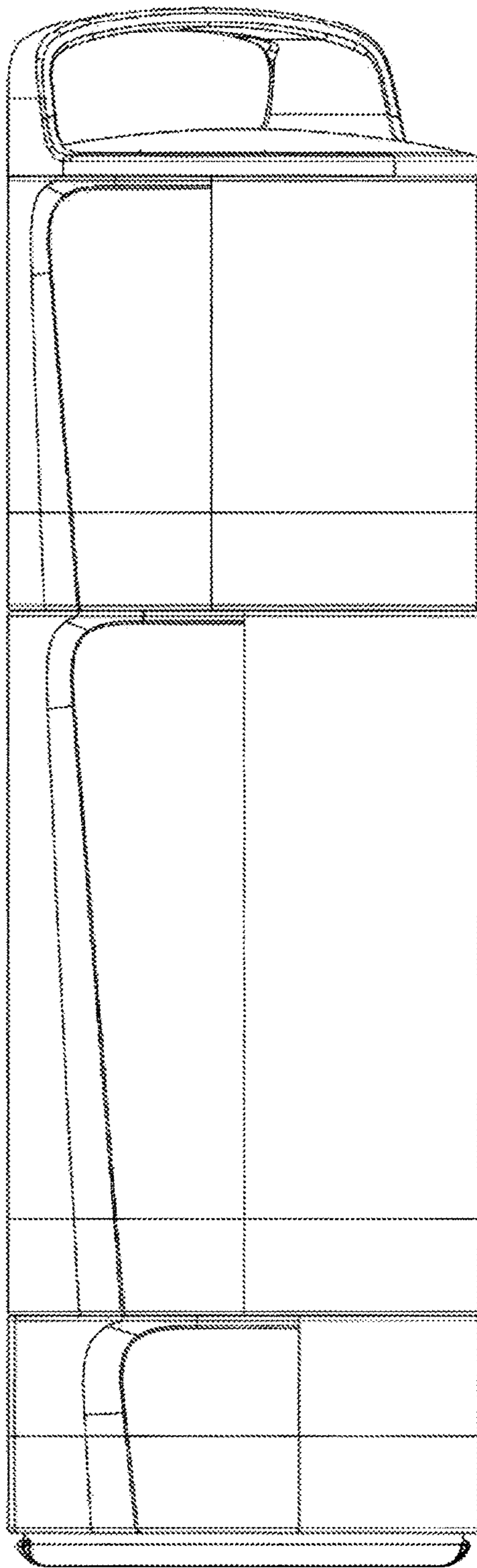
* cited by examiner



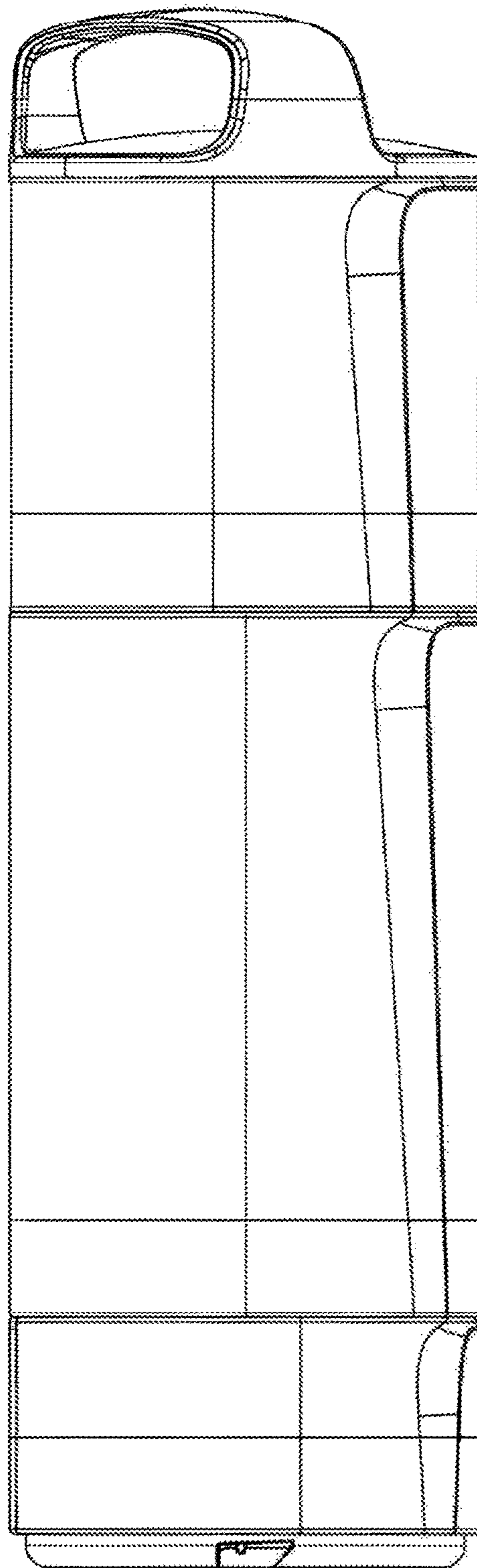
1.1



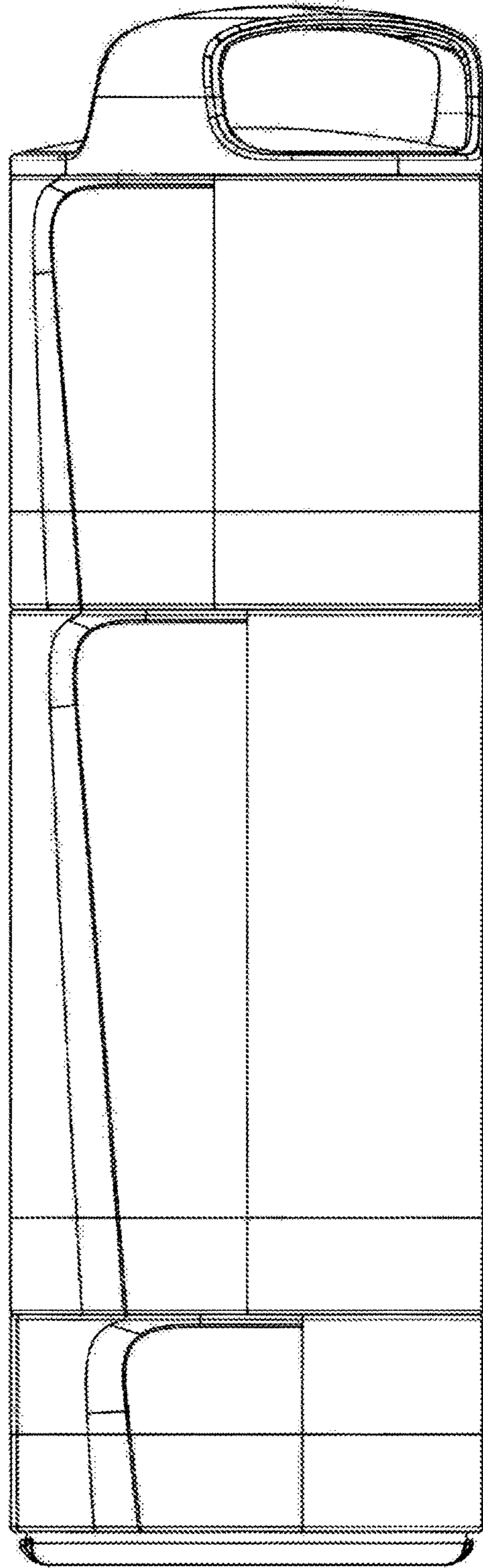
1.2



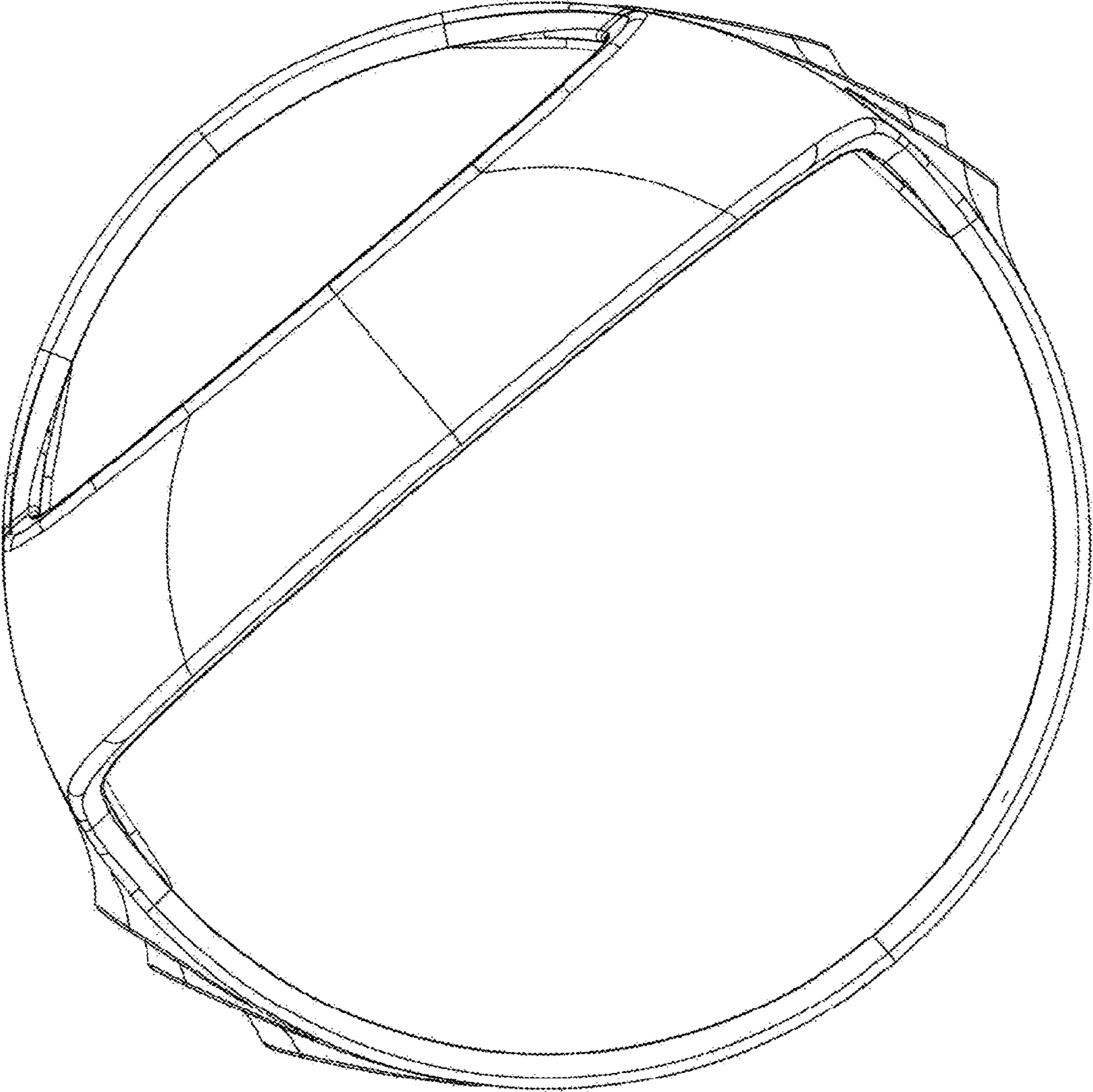
1.3



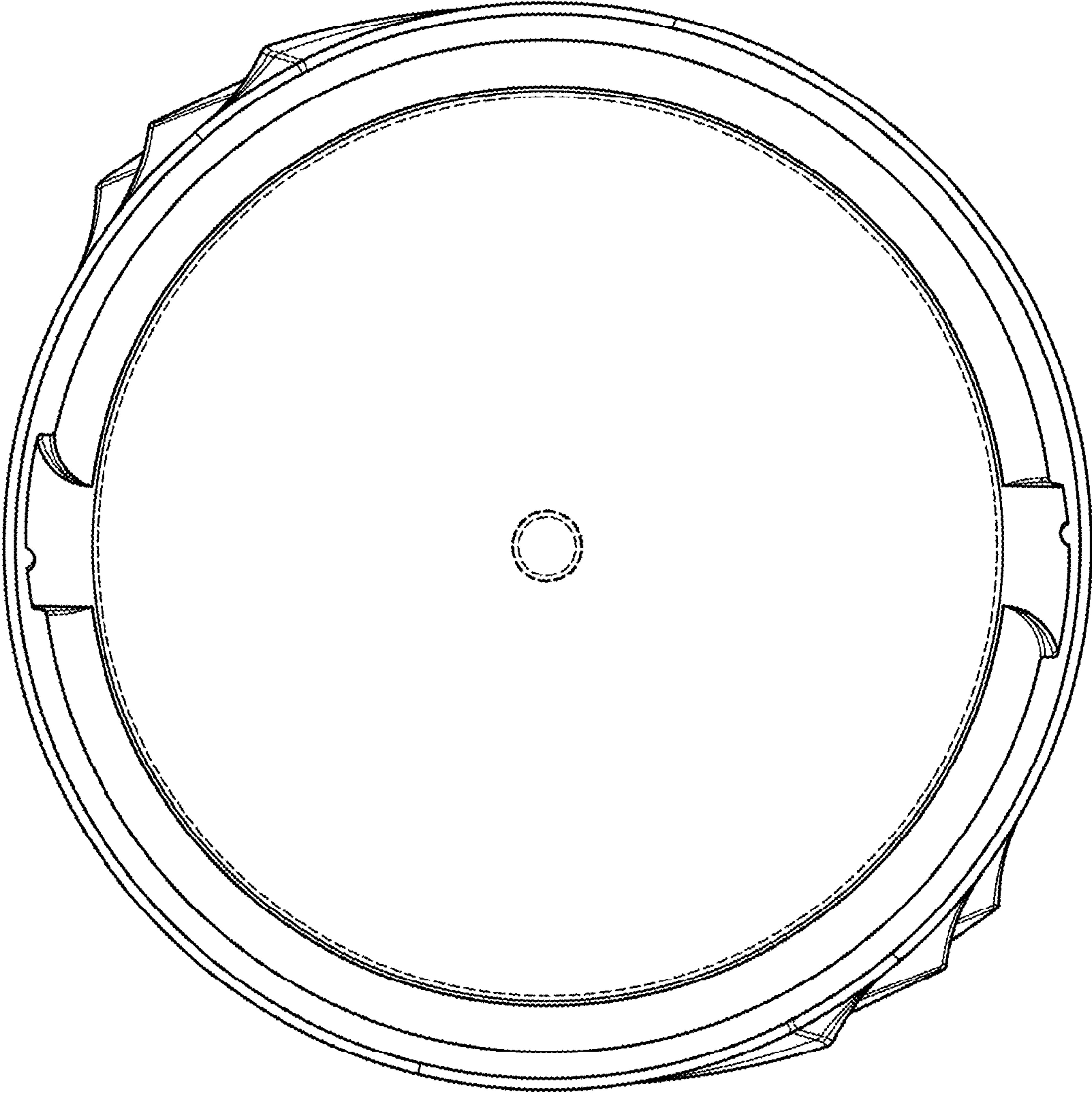
1.4



1.5



1.6



1.7