



US00D803560S

(12) **United States Design Patent** (10) **Patent No.:** **US D803,560 S**
Kuhls (45) **Date of Patent:** **** Nov. 28, 2017**

(54) **STORAGE BOX**
(71) Applicant: **TTS Tooltechnic Systems AG & Co. KG, Wendlingen (DE)**
(72) Inventor: **Timo Kuhls, Stuttgart (DE)**
(73) Assignee: **TTS TOOLTECHNIC SYSTEMS AG & CO. KG, Wendlingen (DE)**

D627,967 S * 11/2010 Kuhls D3/273
D649,350 S * 11/2011 Shitrit D3/281
D694,522 S * 12/2013 Horovitz D3/281
D720,134 S * 12/2014 Baruch D3/297
D731,183 S * 6/2015 Kuhls D3/282
D750,890 S * 3/2016 Quehl D3/281
D764,797 S * 8/2016 Horovitz D3/276
D777,430 S * 1/2017 Thomas D3/297

(Continued)

(**) Term: **15 Years**

(21) Appl. No.: **29/551,969**

(22) Filed: **Jan. 19, 2016**

(30) **Foreign Application Priority Data**

Jul. 24, 2015 (WO) 910022501

(51) **LOC (10) Cl.** **03-01**

(52) **U.S. Cl.**
USPC **D3/281; D3/905**

(58) **Field of Classification Search**
USPC D3/273, 276, 279, 281, 282, 283, 284,
D3/291, 294, 295, 296, 297, 905, 900
CPC B25H 3/00; B25H 3/003; B25H 3/02
See application file for complete search history.

(56) **References Cited**

U.S. PATENT DOCUMENTS

4,775,199 A 10/1988 Lanius et al.
5,544,751 A 8/1996 Klodt et al.
D385,722 S * 11/1997 Yemini D6/671.1
D386,626 S * 11/1997 Yemini D3/283
D393,541 S * 4/1998 Calmeise D3/297
D434,225 S * 11/2000 Story D3/276
6,193,062 B1 2/2001 Rysgaard et al.
D459,578 S * 7/2002 Esslinger D3/274
6,422,386 B1 * 7/2002 Wiese A45C 5/00
206/373
D477,154 S * 7/2003 Benn D3/297
D517,805 S * 3/2006 Hosking D3/291
D626,334 S * 11/2010 Bollani D3/281

FOREIGN PATENT DOCUMENTS

EP 1563965 12/2006

OTHER PUBLICATIONS

Lowe's, "Bosch 17.25-in 3-Drawer Blue Plastic Tool Box",
Accessed Feb. 14, 2017. (<https://www.lowes.com/pd/Bosch-17-25-in-3-Drawer-Blue-Plastic-Tool-Box/50086672>).*

(Continued)

Primary Examiner — Jennifer Rivard

Assistant Examiner — April Rivas

(74) *Attorney, Agent, or Firm* — Hoffmann & Baron, LLP

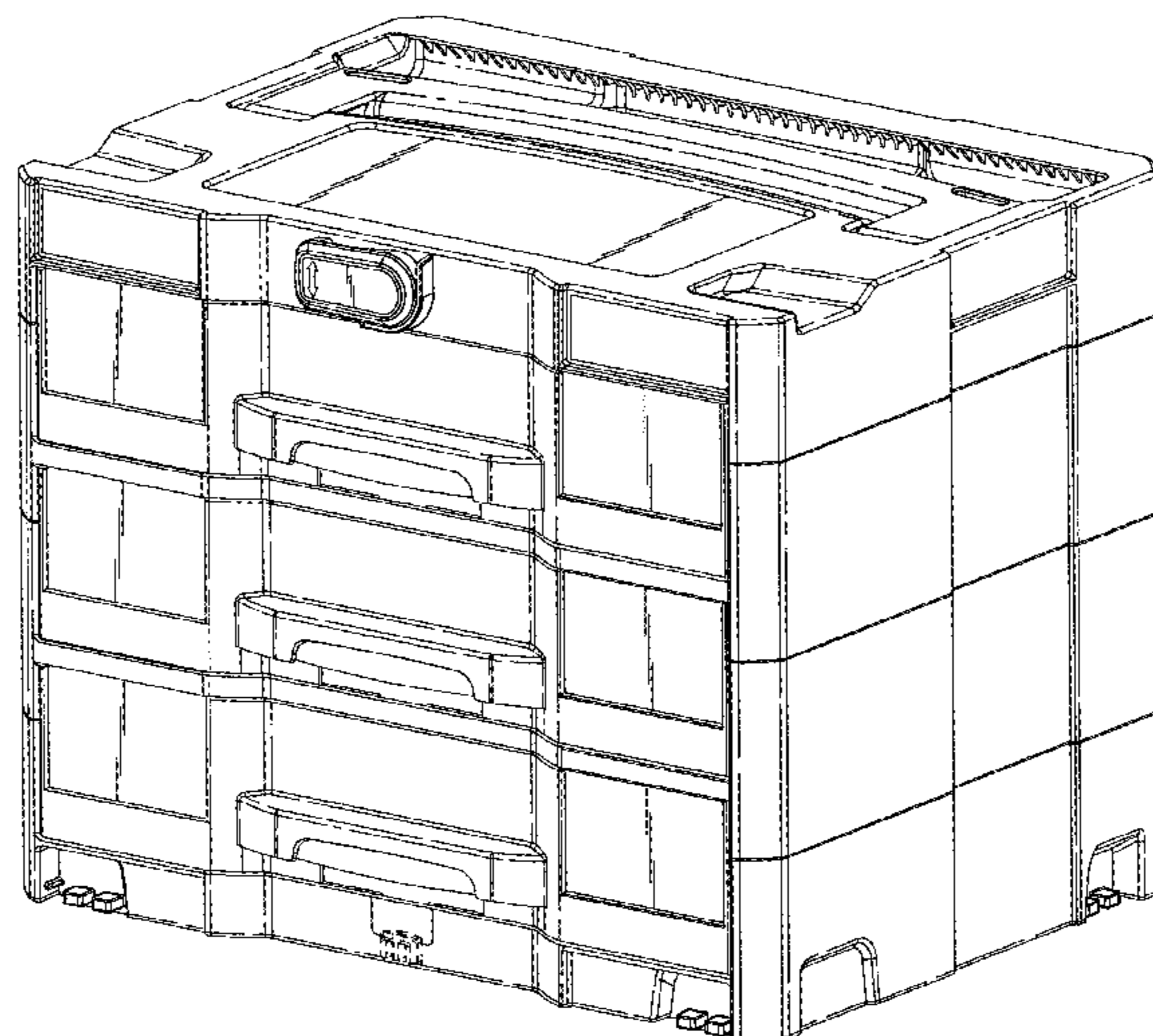
(57) **CLAIM**

The ornamental design for a storage box, as shown and described.

DESCRIPTION

FIG. 1 is a top perspective view of a storage box showing my new design;
FIG. 2 is a front view thereof;
FIG. 3 is a rear view thereof;
FIG. 4 is a left view thereof;
FIG. 5 is a right view thereof;
FIG. 6 is a top plan view thereof; and,
FIG. 7 is a bottom plan view thereof.
The broken lines illustrate portions of the storage box and form no part of the claimed design.

1 Claim, 7 Drawing Sheets



(56)

References Cited

U.S. PATENT DOCUMENTS

2010/0108549 A1* 5/2010 Eggers B25H 3/028
206/349
2010/0224527 A1* 9/2010 Huang B25H 3/028
206/503
2016/0144500 A1* 5/2016 Chen B25H 3/02
206/349

OTHER PUBLICATIONS

Product Information "Sortimo i-BOXX RACK".
Product Information "Sortimo LS-BOXX".

* cited by examiner

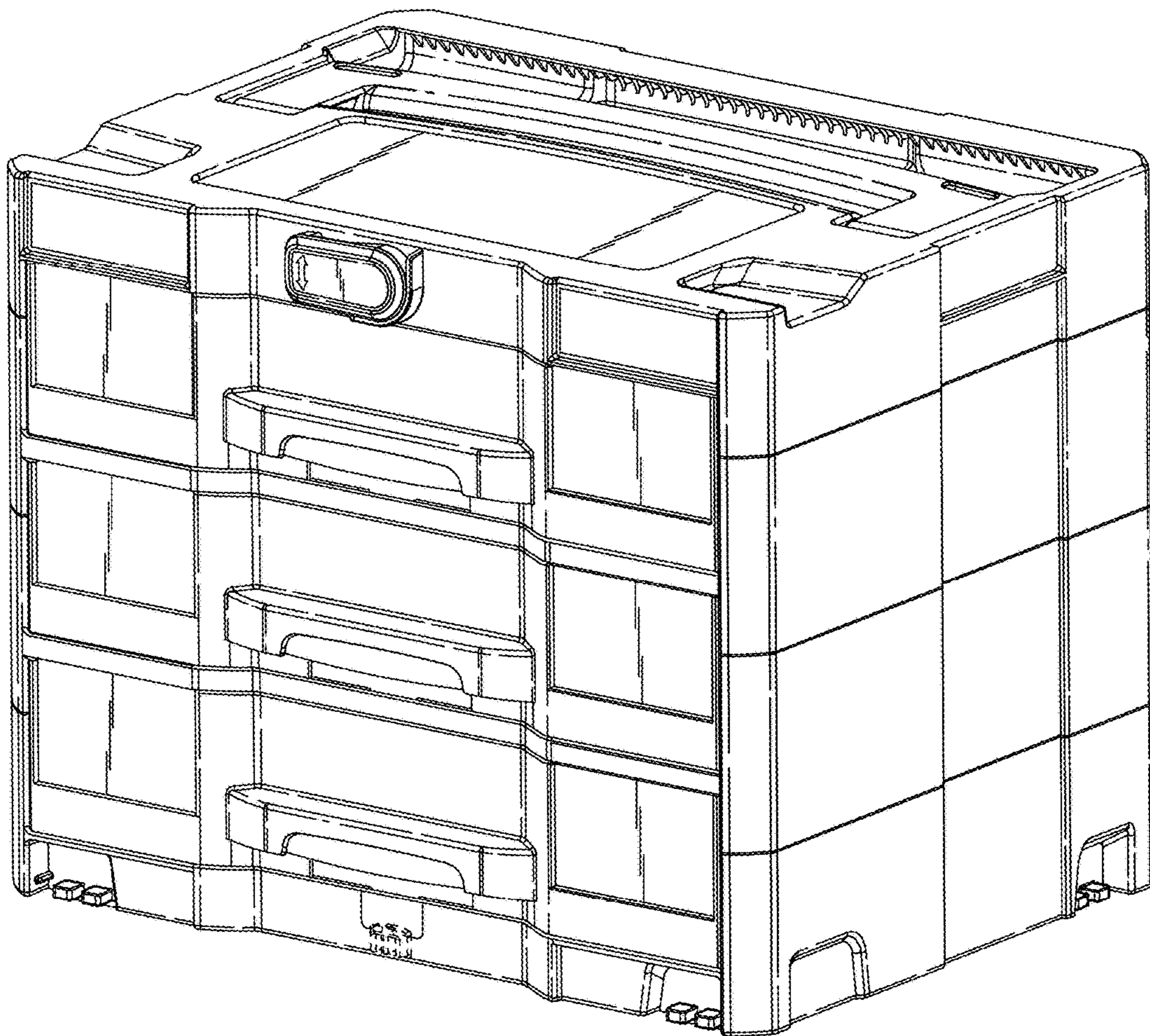


FIG. 1

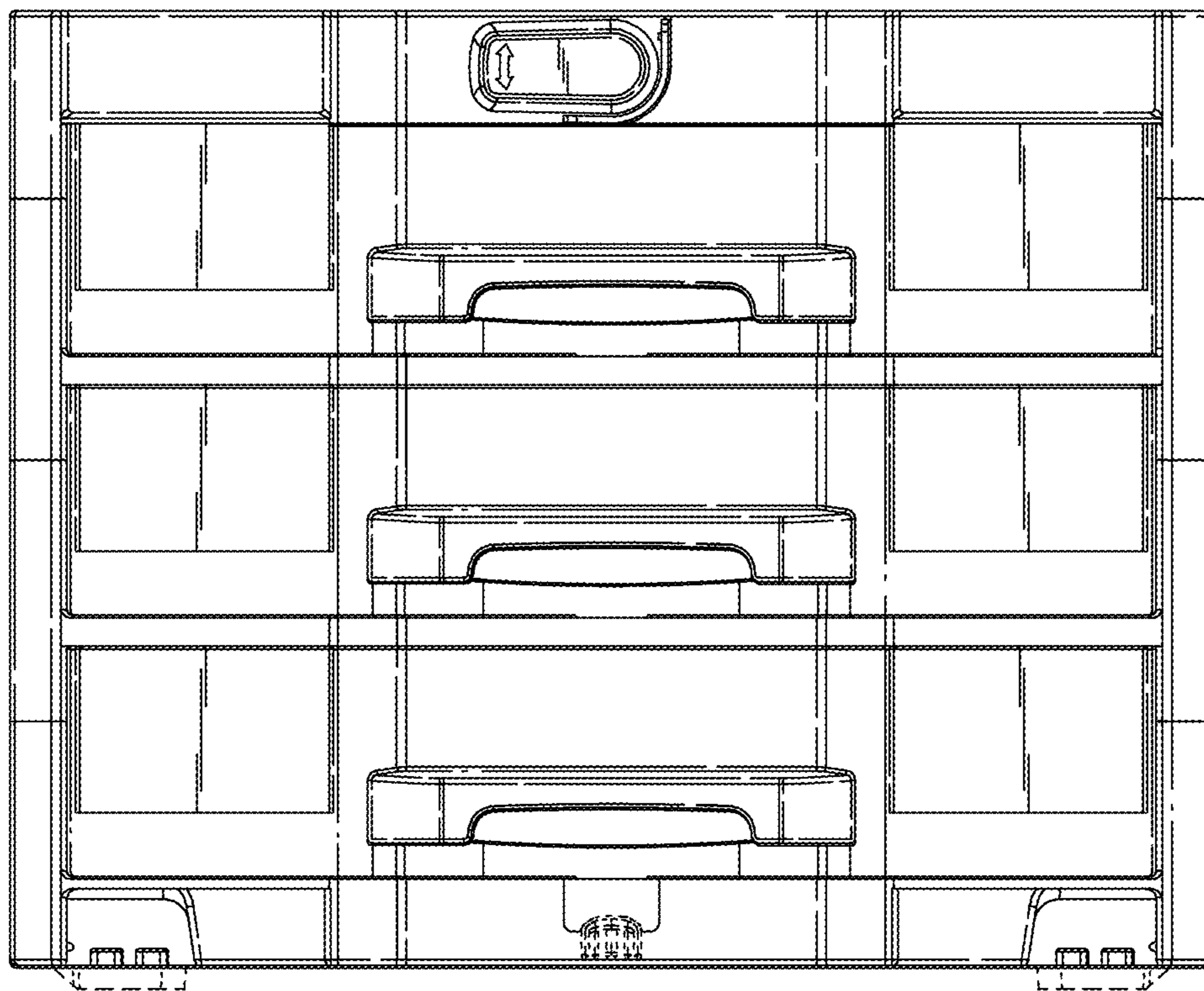


FIG. 2

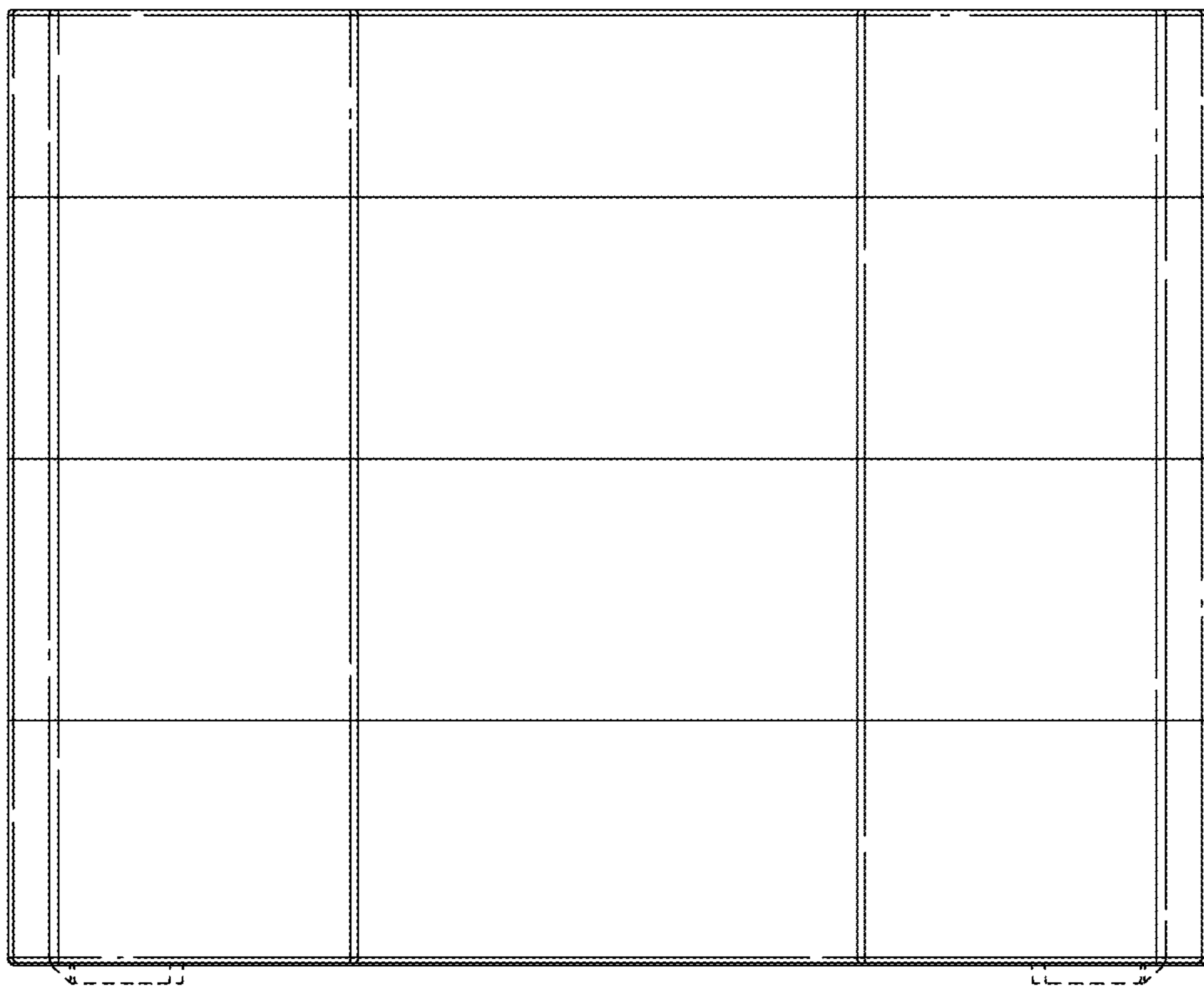


FIG. 3

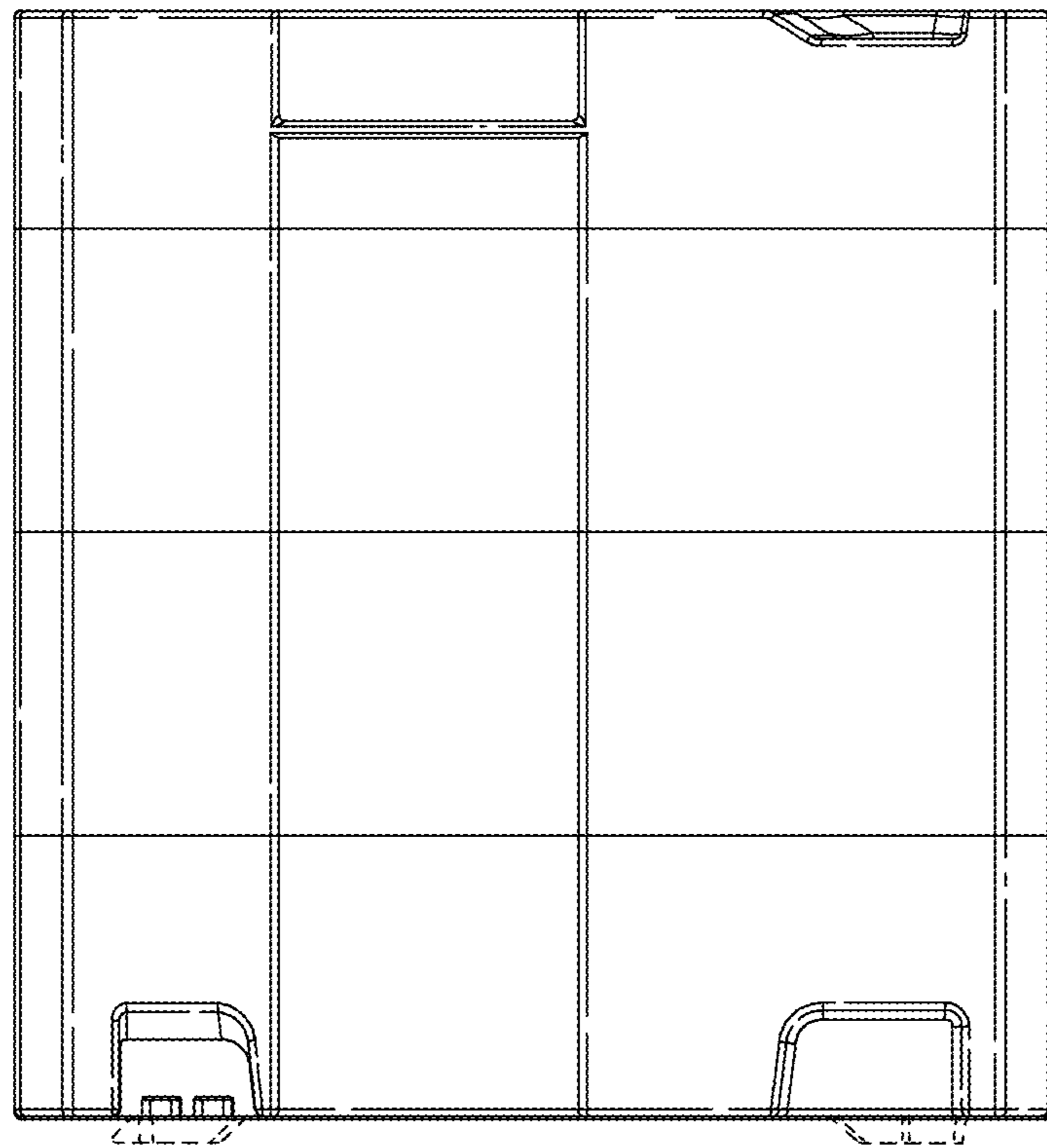


FIG. 4

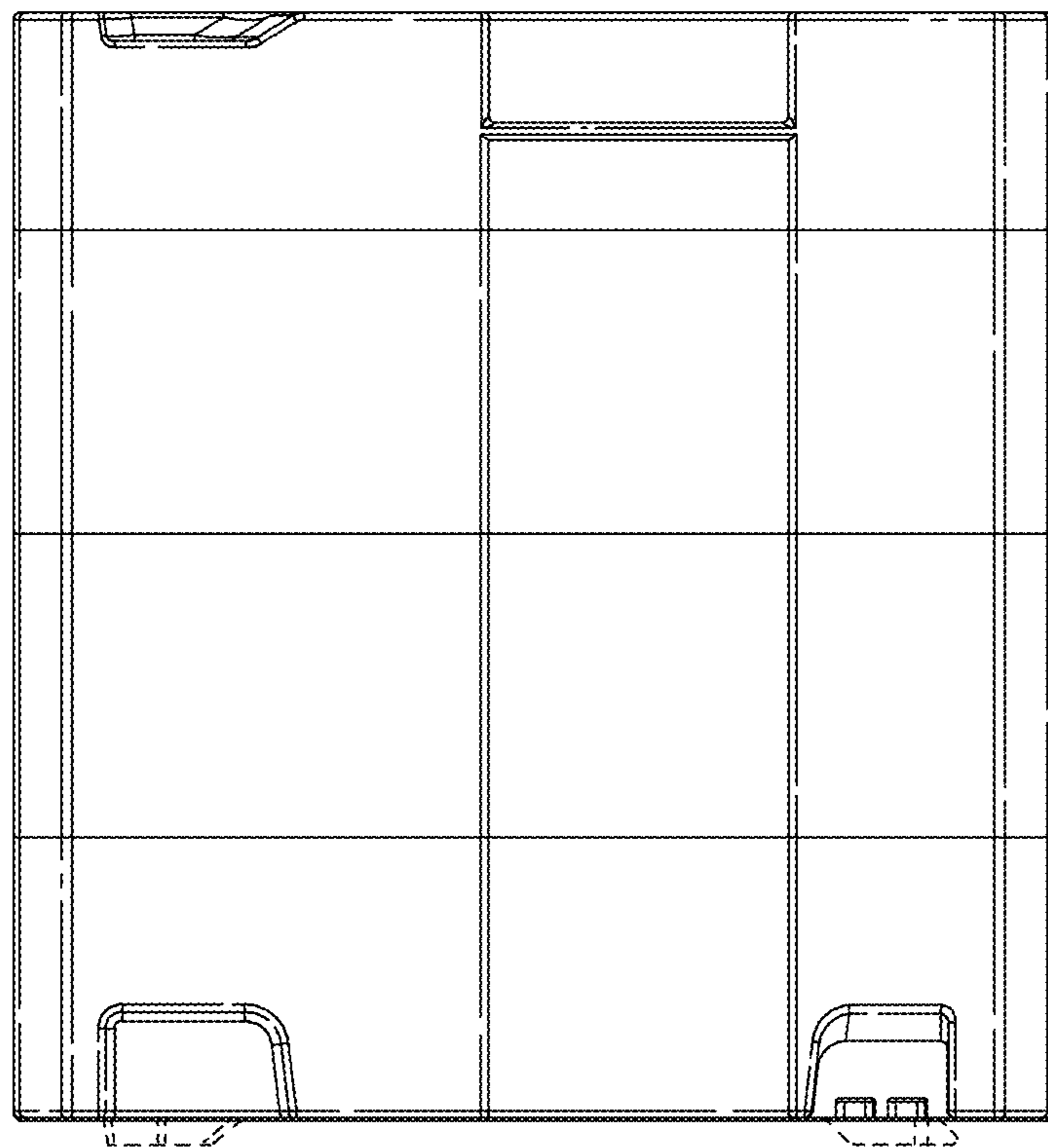


FIG. 5

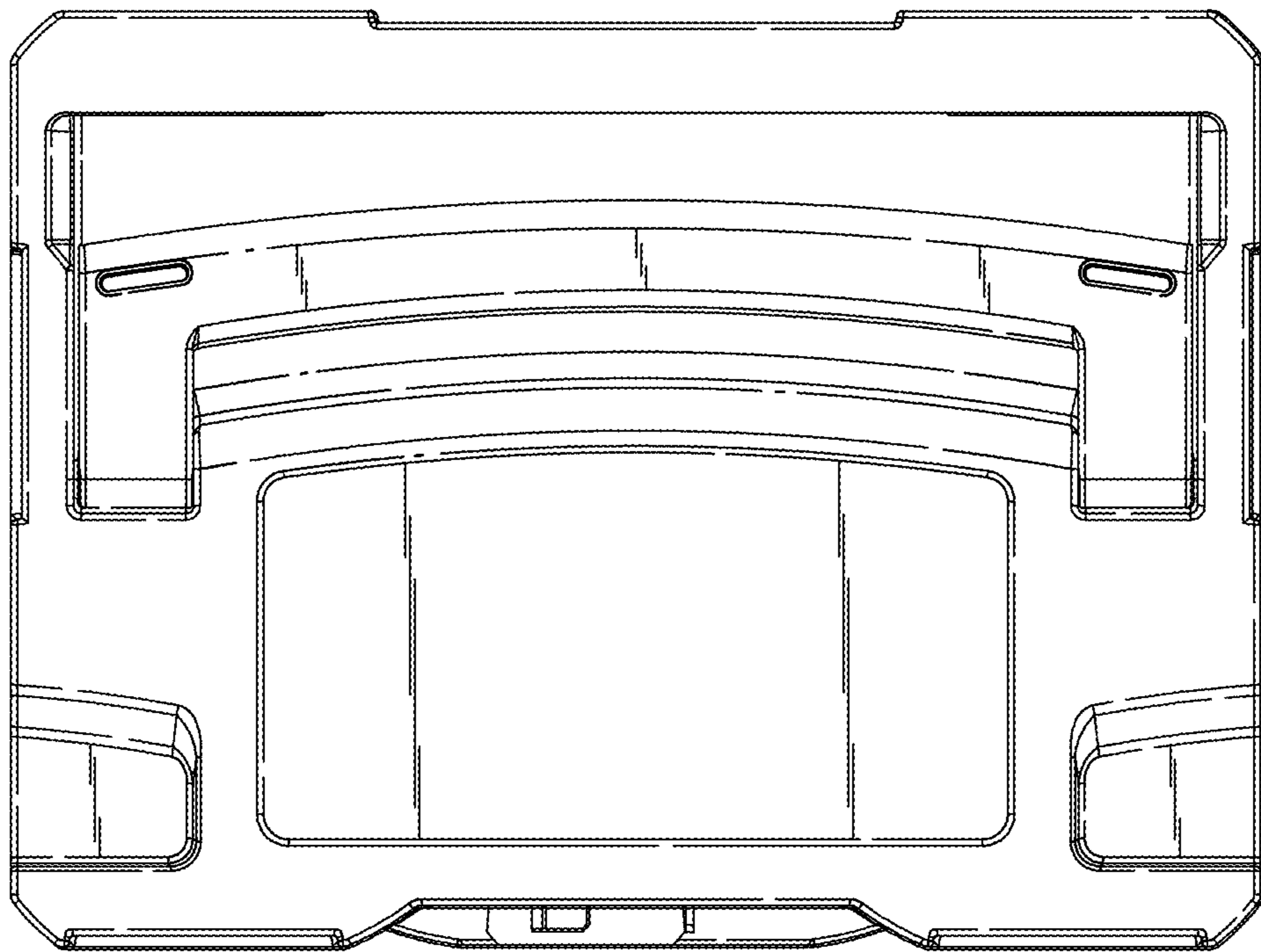


FIG. 6

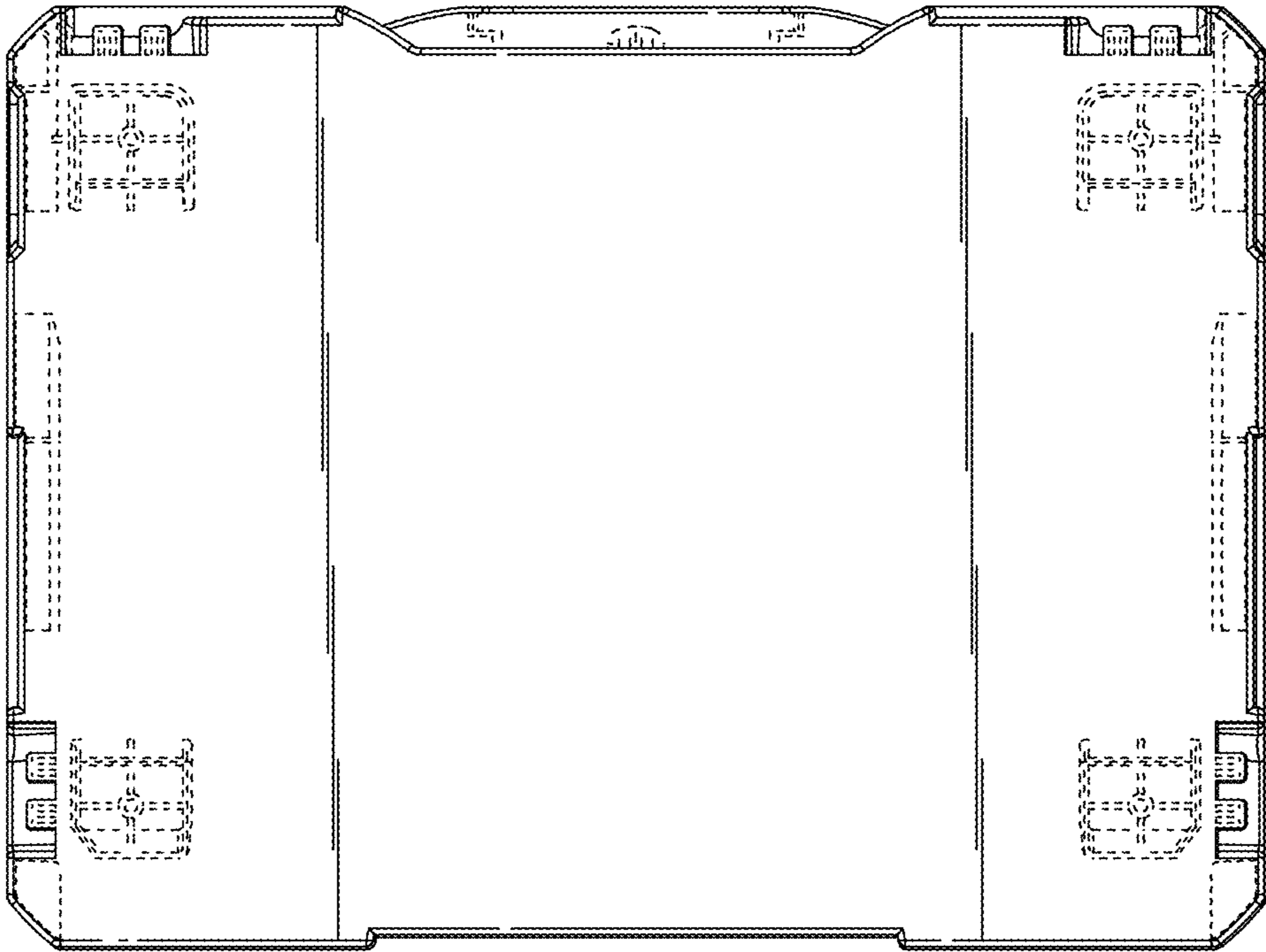


FIG. 7