



US00D803552S

(12) **United States Design Patent** (10) **Patent No.:** **US D803,552 S**
Stoops (45) **Date of Patent:** **** Nov. 28, 2017**

(54) **COMBINATION BOTTLE AND SMARTPHONE HOLDER**
(71) Applicant: **Kevin R. Stoops**, Bucyrus, KS (US)
(72) Inventor: **Kevin R. Stoops**, Bucyrus, KS (US)
(**) Term: **15 Years**
(21) Appl. No.: **29/597,118**
(22) Filed: **Mar. 14, 2017**
(51) **LOC (10) Cl.** **03-01**
(52) **U.S. Cl.**
USPC **D3/218; D7/620**
(58) **Field of Classification Search**
USPC D7/619.1-625, 701-708; D3/215, 218, D3/226, 229; D9/455; D14/138, 217, D14/253
CPC A47G 23/0241; A47G 23/02; A47G 23/0208; A47G 23/0216; A47G 29/18; B60N 3/103; B60N 3/102
See application file for complete search history.

5,745,565 A * 4/1998 Wakefield B60N 3/103 224/926
D408,991 S 5/1999 Perez
D417,185 S * 11/1999 Marks D12/411
D423,774 S * 5/2000 Peterson D3/229
6,189,755 B1 2/2001 Wakefield
D444,706 S * 7/2001 Giancaspro D3/229
D456,603 S * 5/2002 Phetthaweebancha D3/215
D498,357 S 11/2004 Smith
2013/0214018 A1 8/2013 Zhang et al.

FOREIGN PATENT DOCUMENTS

KR 2016069105 6/2016

* cited by examiner

Primary Examiner — Terry A Wallace
(74) *Attorney, Agent, or Firm* — Kutak Rock LLP; Bryan P. Stanley

(57) **CLAIM**

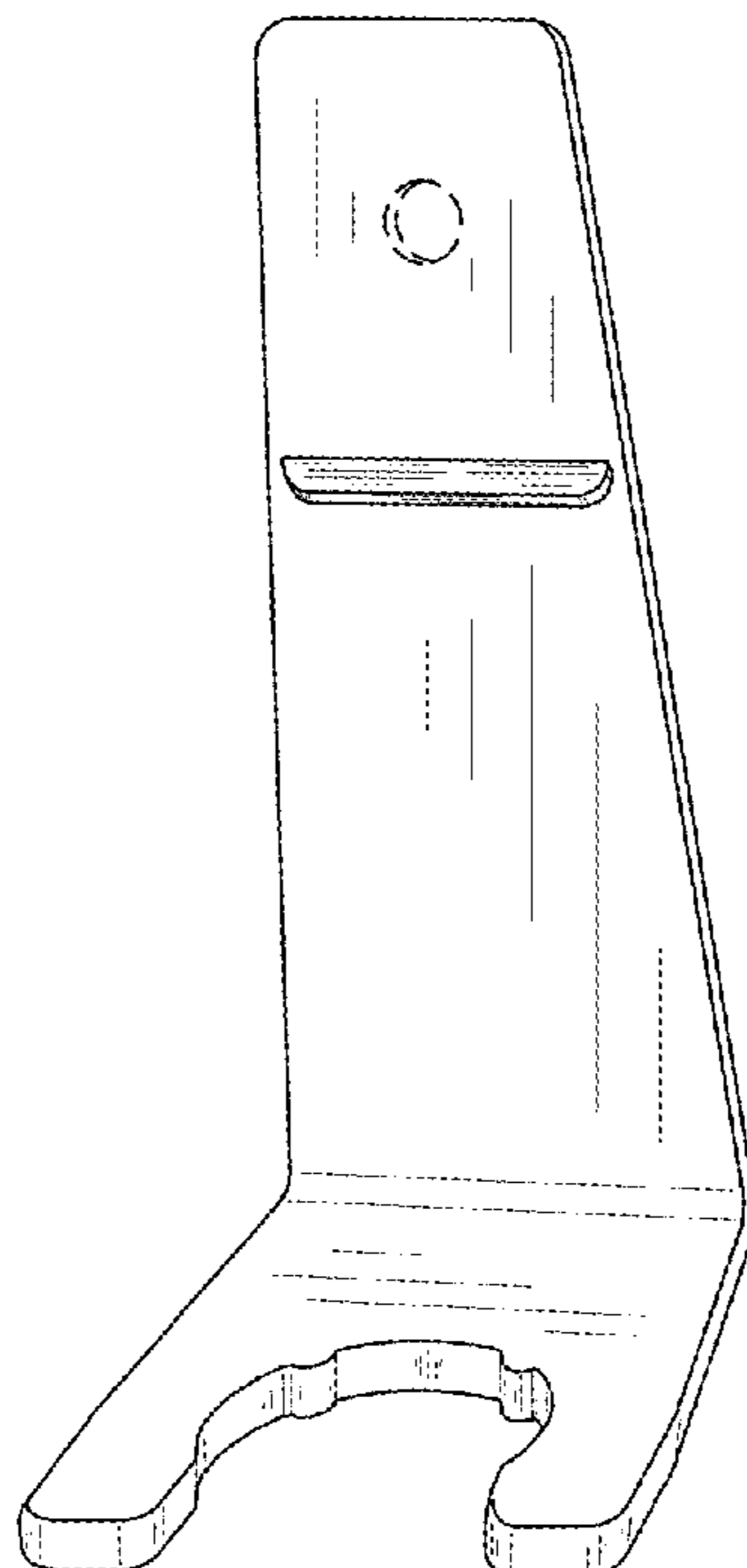
The ornamental design for a combination bottle and smartphone holder, as shown and described.

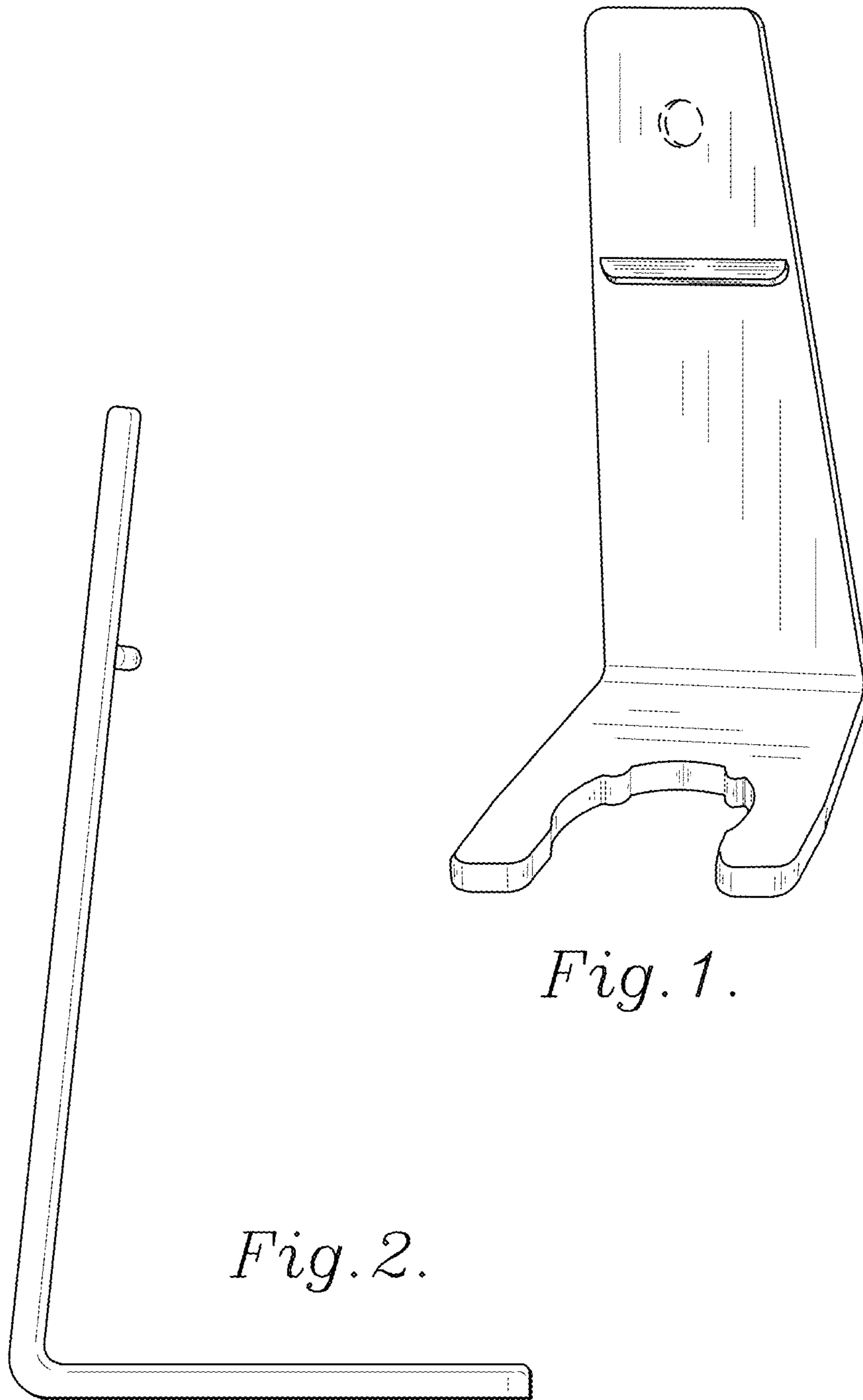
DESCRIPTION

FIG. 1 is a front perspective view of a combination bottle and smartphone holder showing my new design.
FIG. 2 is a side view thereof, the opposite side being a mirror image.
FIG. 3 is a bottom plan view thereof.
FIG. 4 is a top plan view thereof.
FIG. 5 is a front view thereof; and,
FIG. 6 is a rear view thereof.
The broken lines are for illustrative purposes only and form no part of the claimed design.

1 Claim, 3 Drawing Sheets

(56) **References Cited**
U.S. PATENT DOCUMENTS
4,278,225 A * 7/1981 Phelps A61J 1/06 248/311.3
D271,820 S * 12/1983 Allen 224/250
D272,773 S 2/1984 Weissenburger
D272,774 S 2/1984 Weissenburger
4,955,572 A * 9/1990 Simmons A45F 3/16 224/148.2
D324,990 S * 3/1992 Gary D26/138
D335,392 S 5/1993 Topic et al.





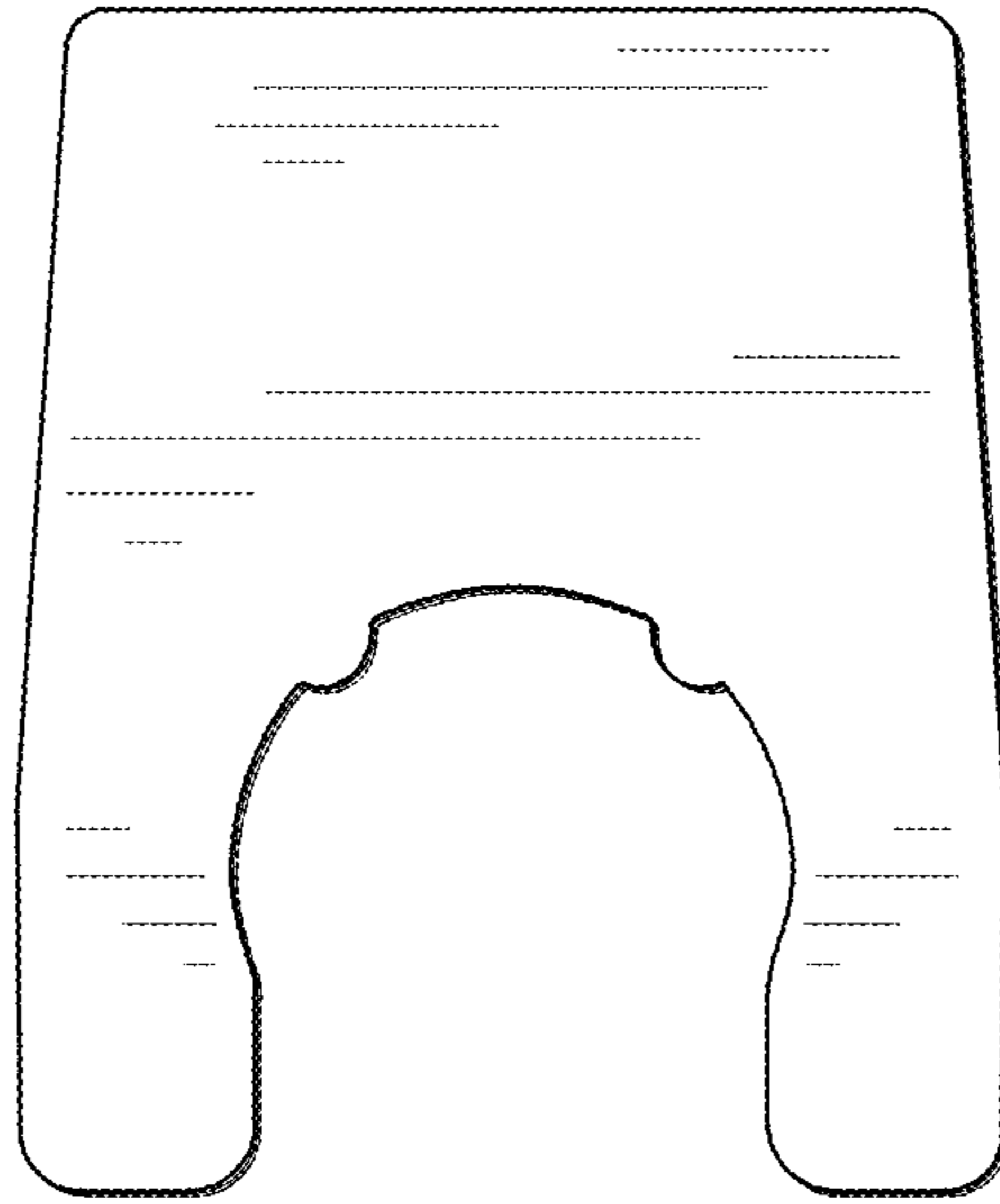


Fig. 3.

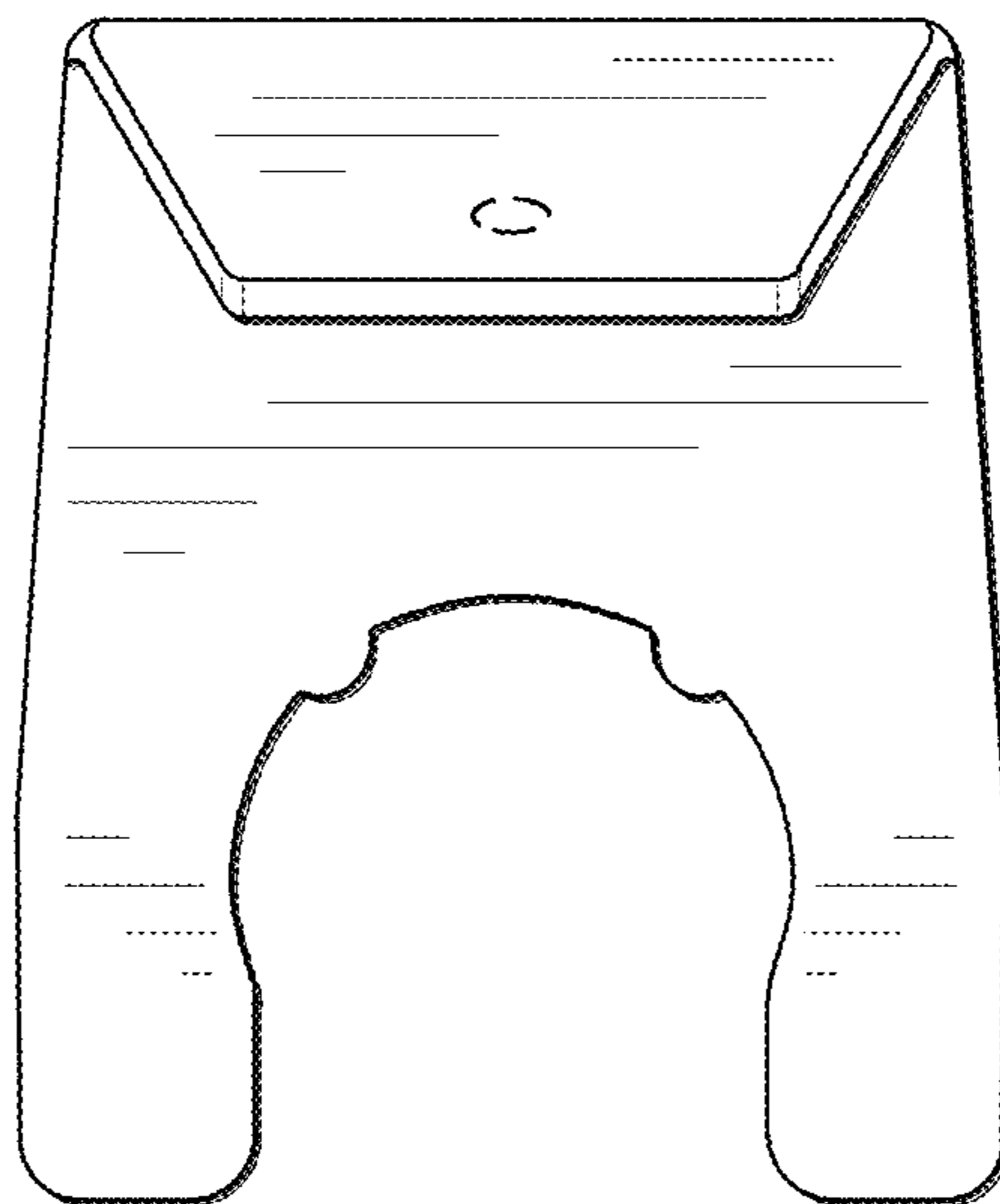


Fig. 4.

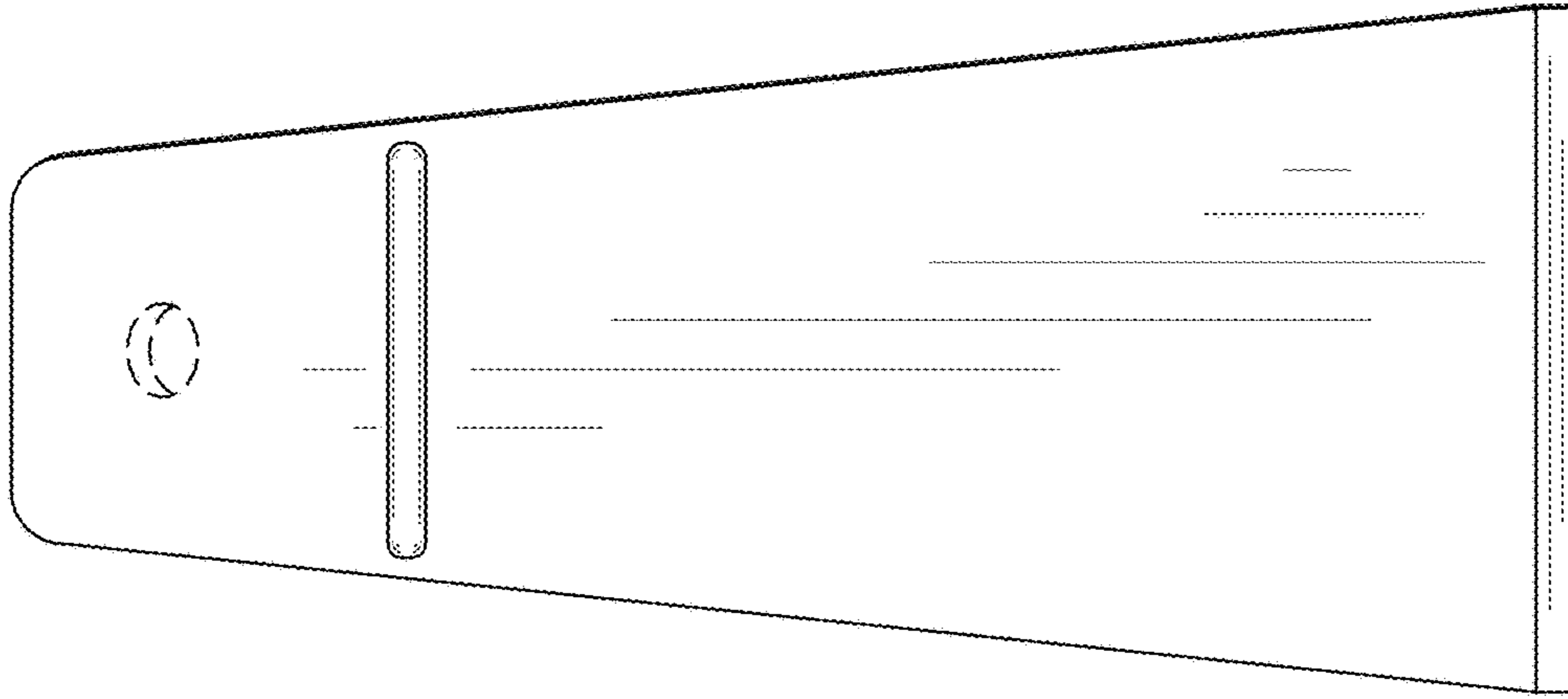


Fig. 5.

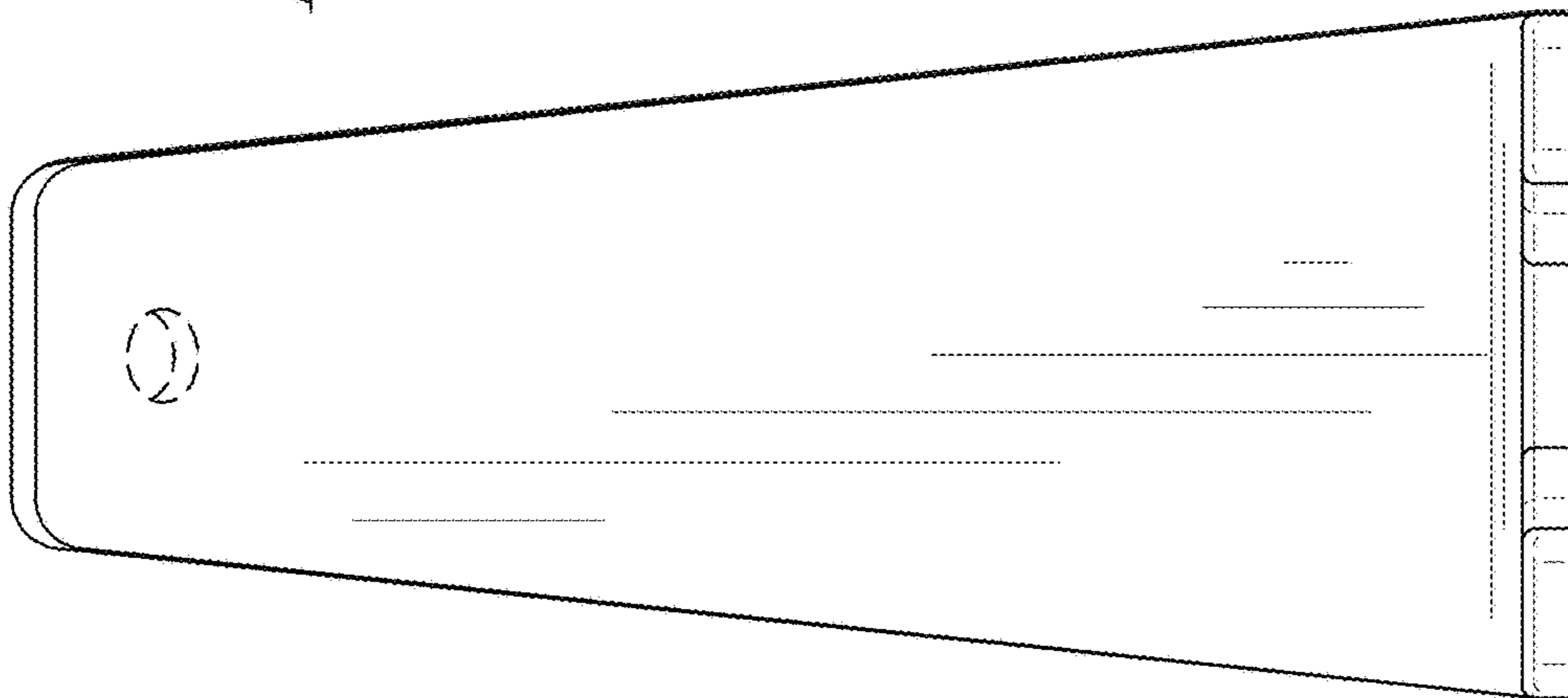


Fig. 6.