



US00D803551S

(12) **United States Design Patent** (10) **Patent No.:** **US D803,551 S**  
**Shaholli et al.** (45) **Date of Patent:** **\*\* Nov. 28, 2017**

(54) **BACKPACK WITH A BEAR**  
(71) Applicant: **Puku LLC**, Hollywood, CA (US)  
(72) Inventors: **Karen Shaholli**, Los Angeles, CA (US);  
**Brendan Hutchieson**, Los Angeles, CA (US)  
(73) Assignee: **PUKU LLC**, Hollywood, CA (US)  
(\*\*) Term: **15 Years**  
(21) Appl. No.: **29/585,686**  
(22) Filed: **Nov. 28, 2016**  
(51) **LOC (10) Cl.** ..... **03-01**  
(52) **U.S. Cl.**  
USPC ..... **D3/216; D3/223**  
(58) **Field of Classification Search**  
USPC ..... **D3/216, 223, 318**  
CPC ..... **A45F 4/02; A45F 3/04; A45C 7/00; A45C 9/00; A45C 13/08; A45C 13/30**  
See application file for complete search history.

D617,095 S \* 6/2010 Braccialini ..... D3/234  
D617,548 S \* 6/2010 Gold ..... D3/216  
D620,702 S \* 8/2010 Gold ..... D3/216  
D623,238 S \* 9/2010 Gold ..... D3/216  
D624,748 S \* 10/2010 Gold ..... D3/216  
D685,989 S \* 7/2013 Fitl ..... D3/216  
D720,132 S \* 12/2014 Zhou ..... D3/234  
D722,234 S \* 2/2015 BenDavid ..... D3/223  
D734,024 S \* 7/2015 Garcia ..... D3/216  
D745,266 S \* 12/2015 Jabbour, Jr. .... D21/604  
D747,092 S \* 1/2016 Jabbour, Jr. .... D21/604  
9,226,565 B1 \* 1/2016 Martin ..... A45F 4/06

\* cited by examiner

*Primary Examiner* — Holly H Baynham  
(74) *Attorney, Agent, or Firm* — Locke Lord LLP; Tim Tingkang Xia, Esq.

(57) **CLAIM**

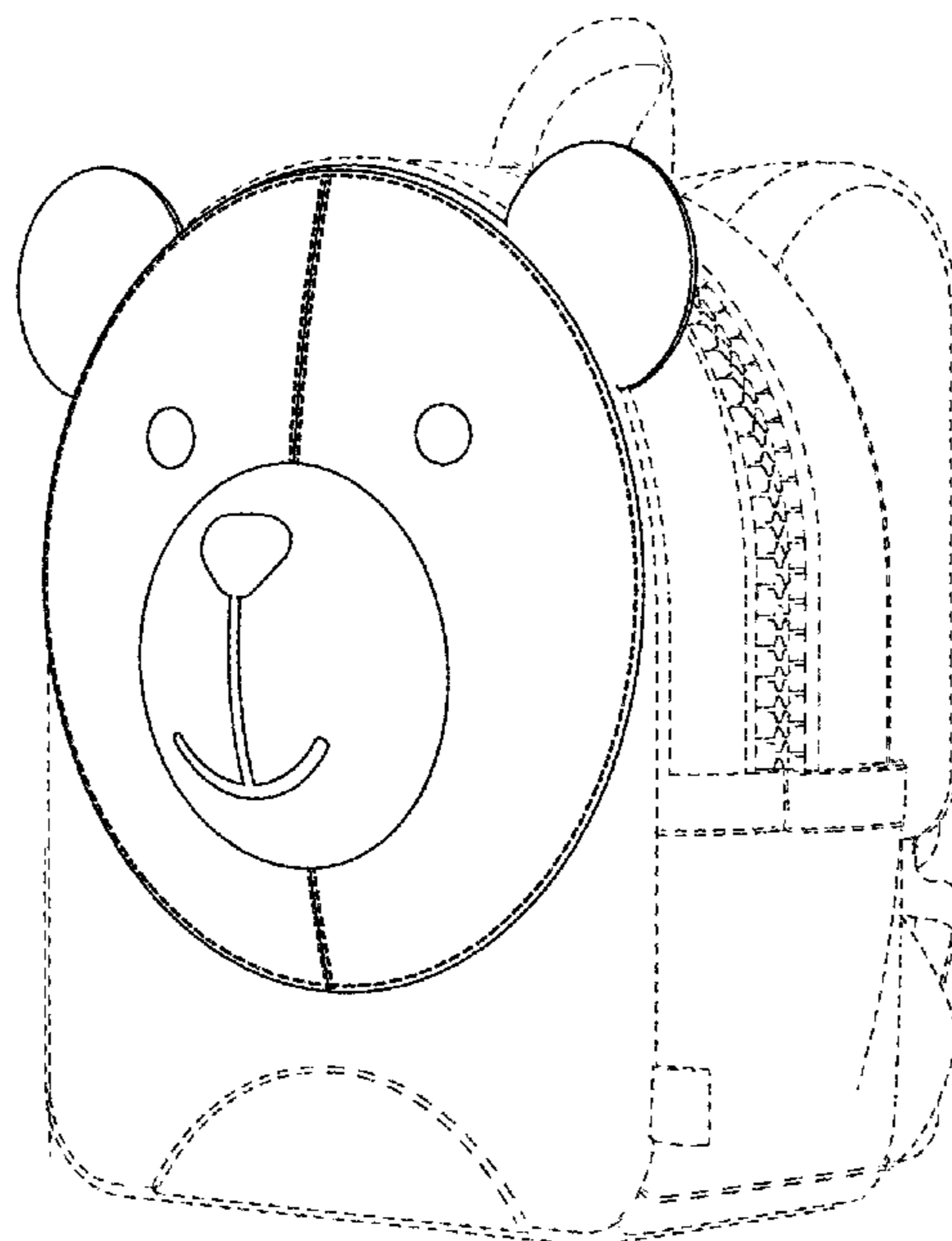
The ornamental design for a backpack with a bear, as shown and described.

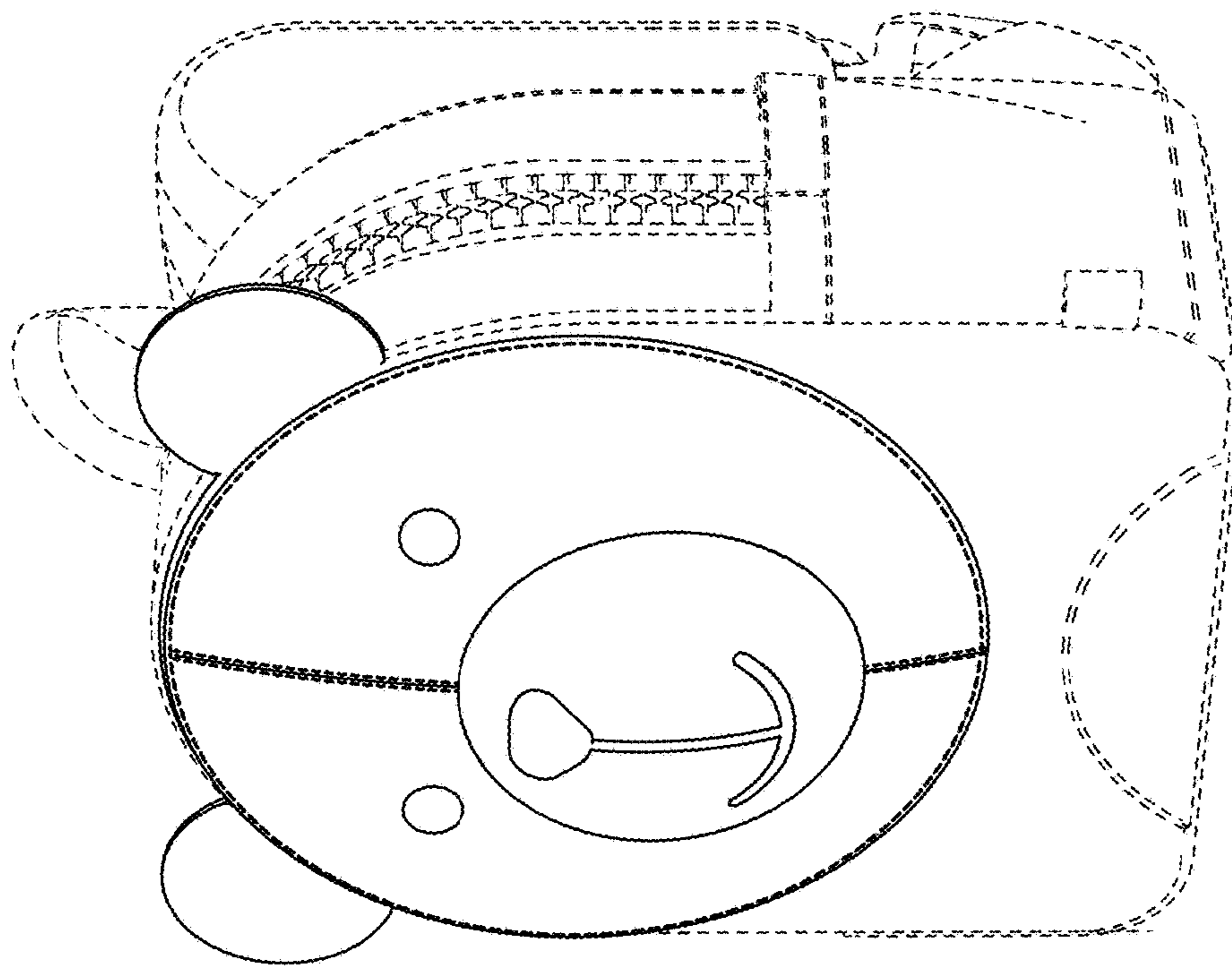
**DESCRIPTION**

FIG. 1 is a perspective view of a backpack with a bear, according to the design;  
FIG. 2 is another perspective view thereof;  
FIG. 3 is a front elevation view thereof;  
FIG. 4 is a rear elevation view thereof;  
FIG. 5 is a right side elevation view thereof;  
FIG. 6 is a left side elevation view thereof;  
FIG. 7 is a top plan view thereof; and,  
FIG. 8 is a bottom plan view thereof.  
The broken lines showing of a backpack are for the purpose of illustrating environmental structures of the backpack with a bear and form no part of the claimed design.

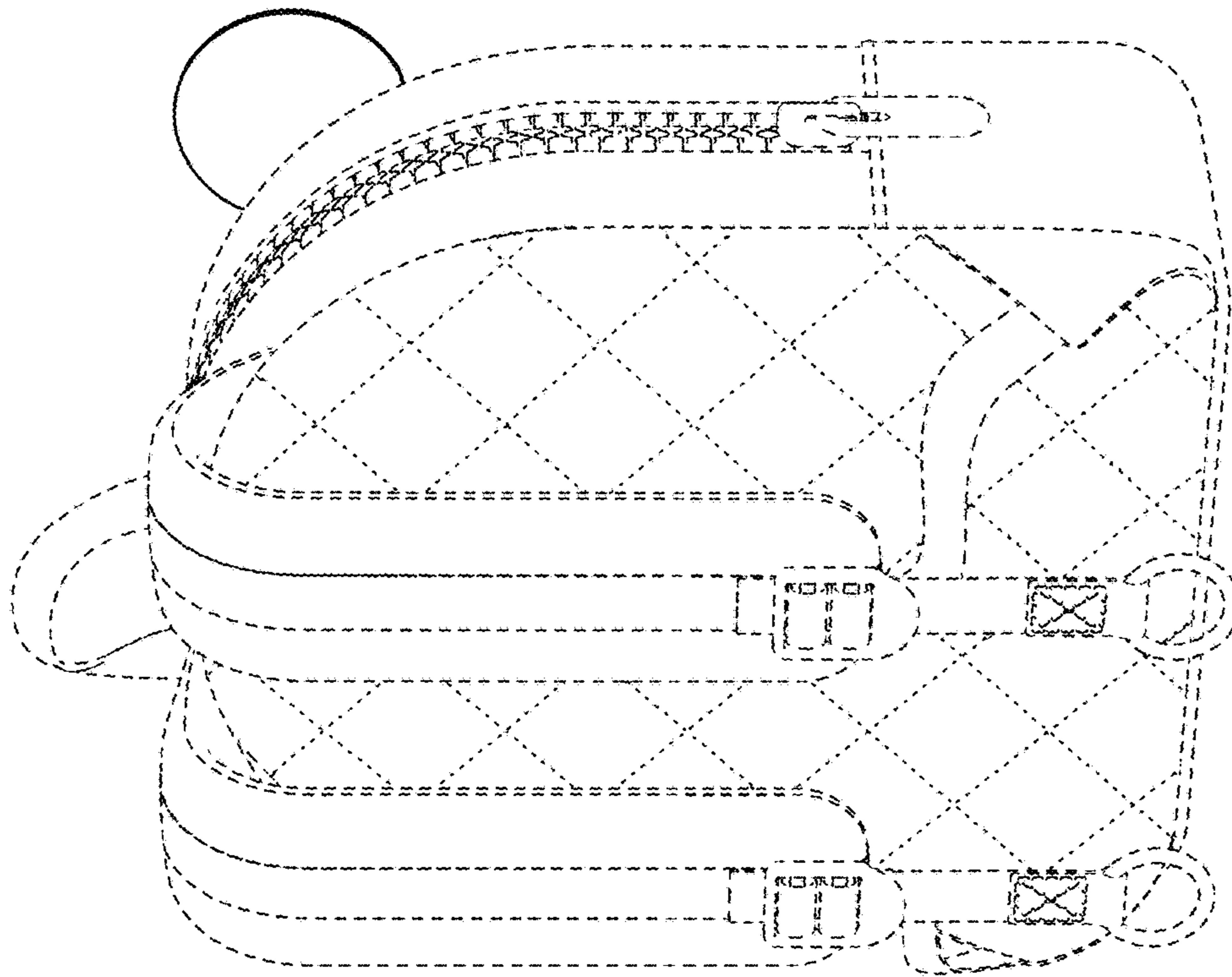
**1 Claim, 8 Drawing Sheets**

(56) **References Cited**  
U.S. PATENT DOCUMENTS  
2,504,551 A \* 4/1950 Levinson ..... A45C 13/08  
150/111  
D335,027 S \* 4/1993 Flood ..... D21/655  
D358,476 S \* 5/1995 Winkos ..... D3/235  
D372,357 S \* 8/1996 Woods ..... D3/234  
D438,700 S \* 3/2001 Willingham ..... A45F 3/04  
D3/216  
6,510,974 B2 \* 1/2003 Willingham ..... A45C 7/0095  
190/16  
D606,746 S \* 12/2009 Braccialini ..... D3/238  
D614,398 S \* 4/2010 Gold ..... D3/216

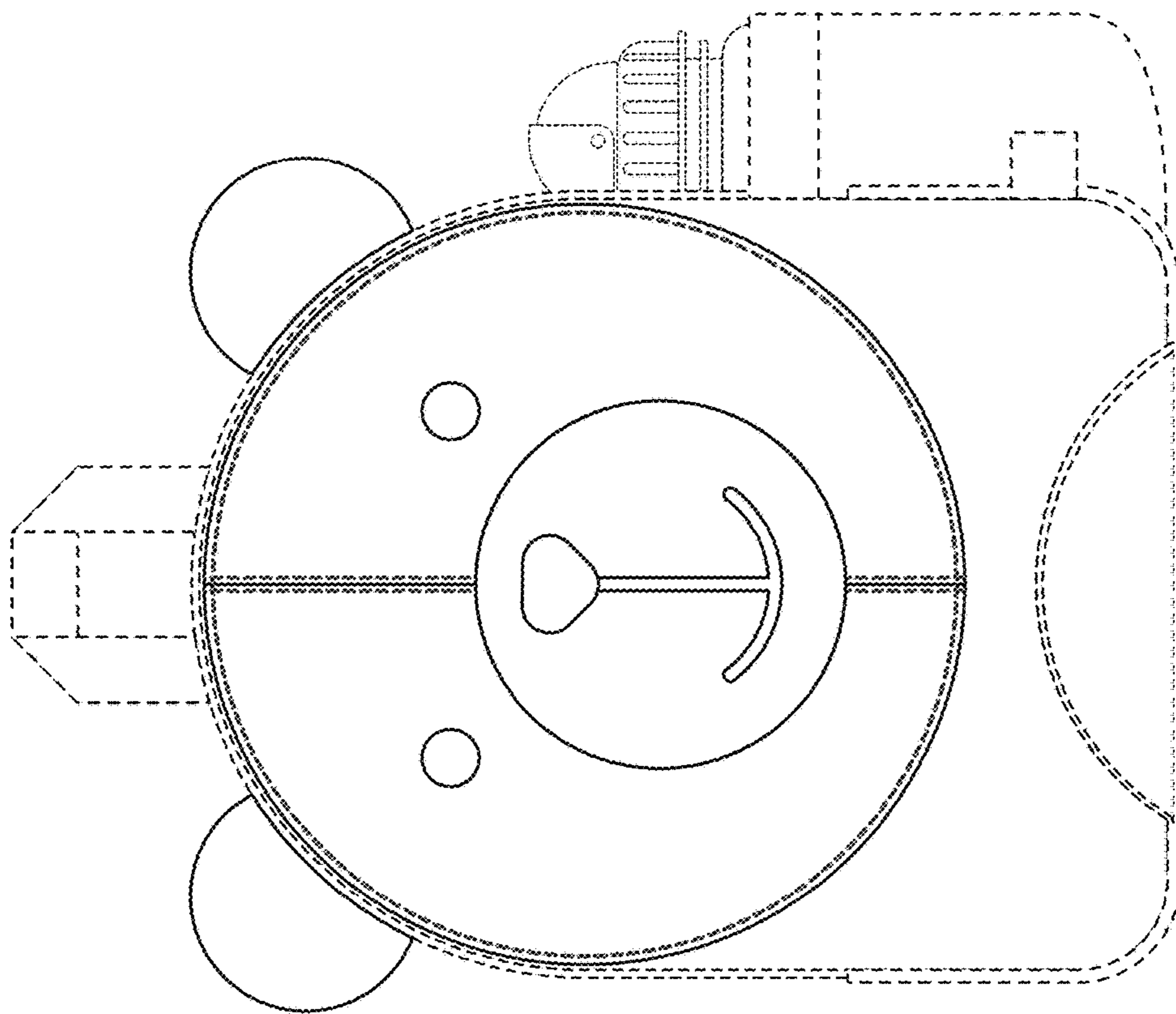




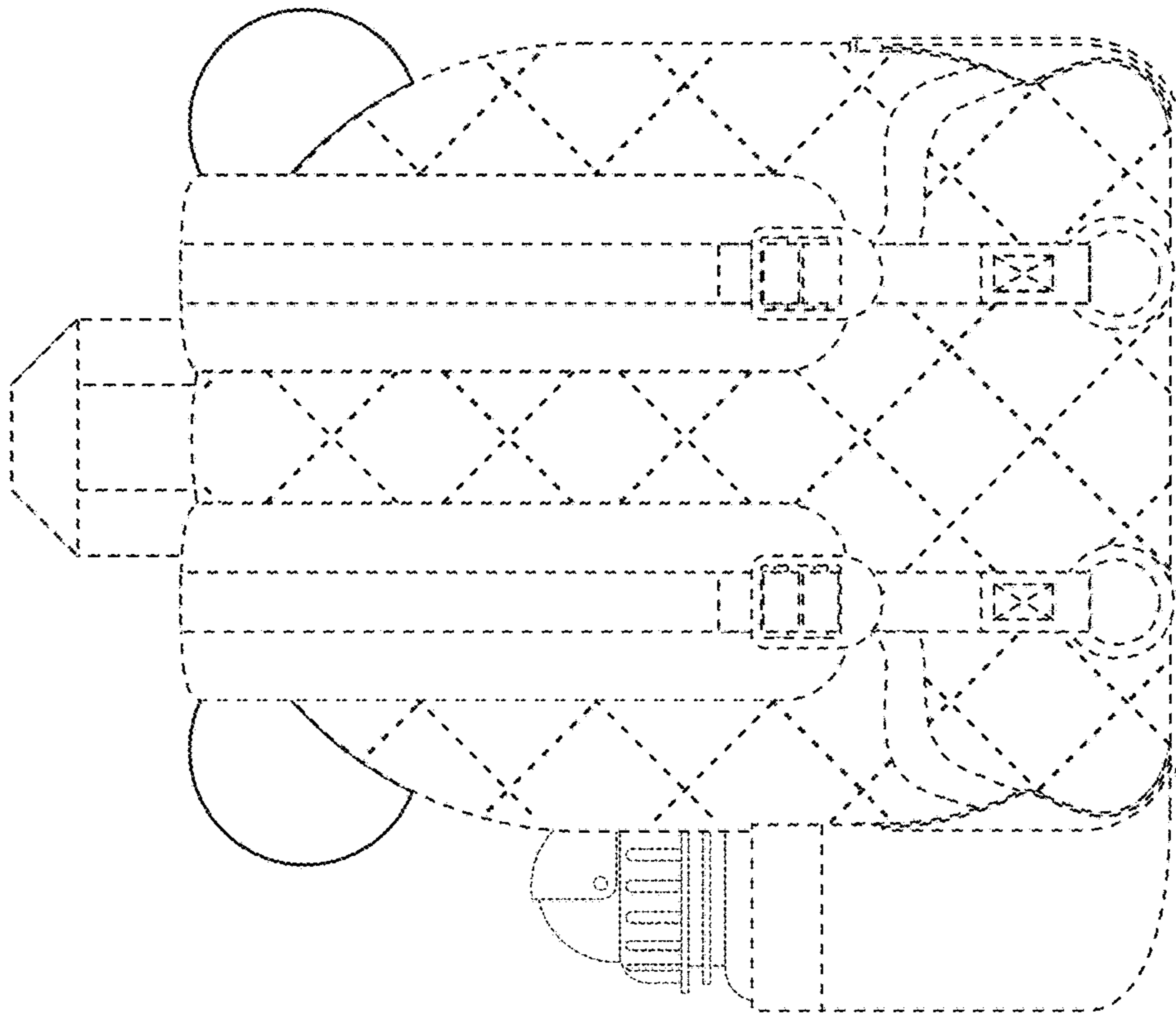
**FIG. 1**



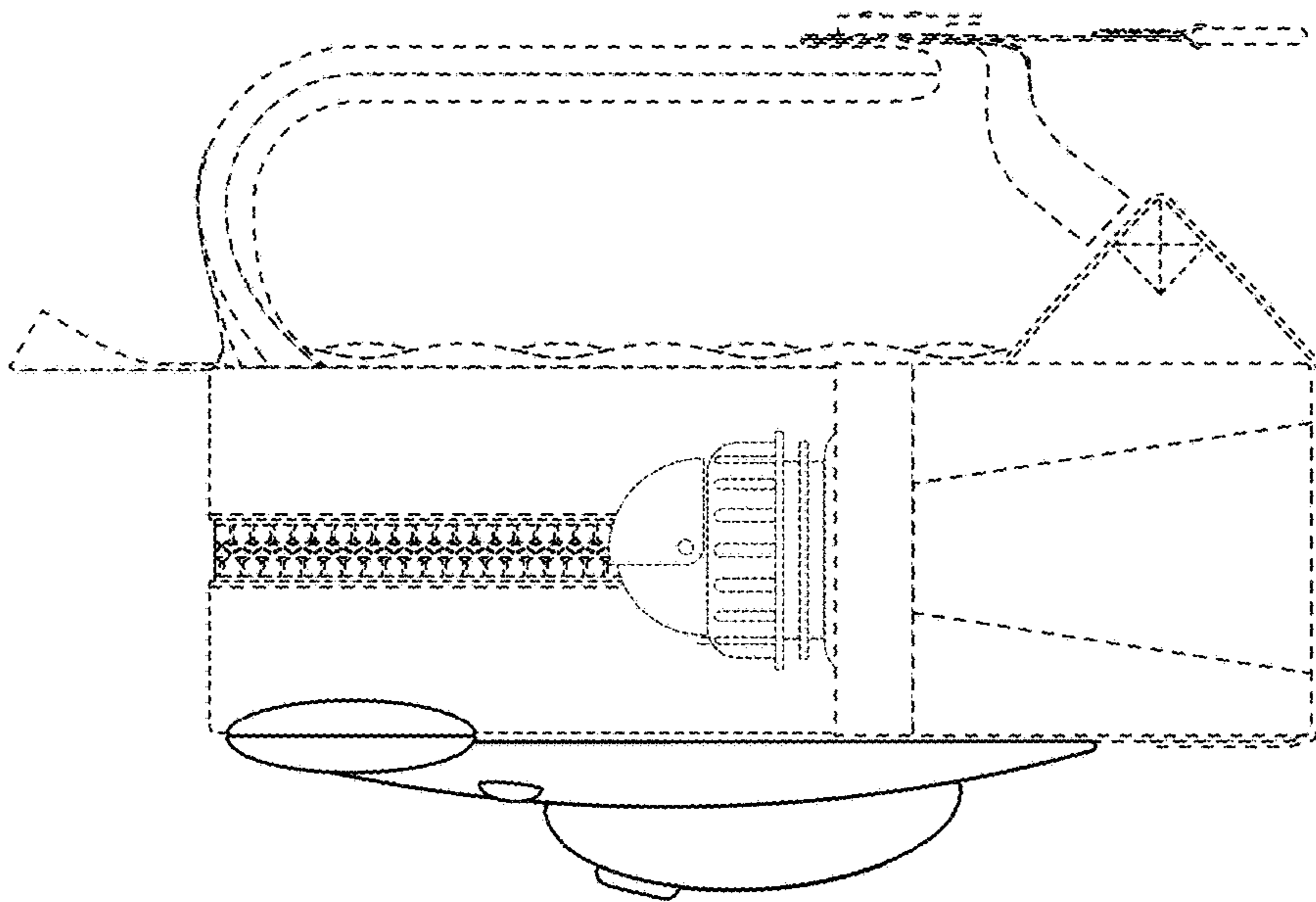
**FIG. 2**



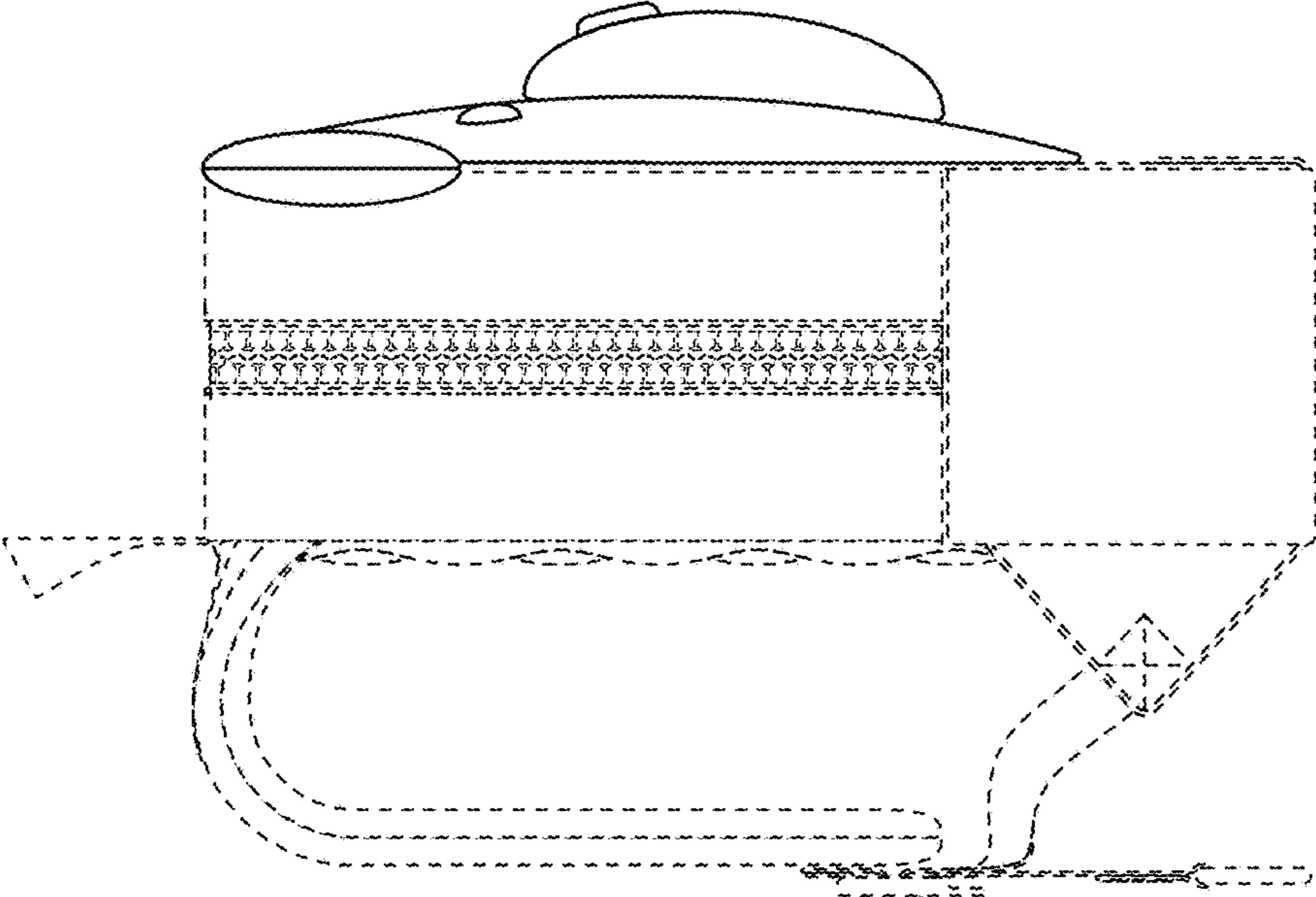
**FIG. 3**



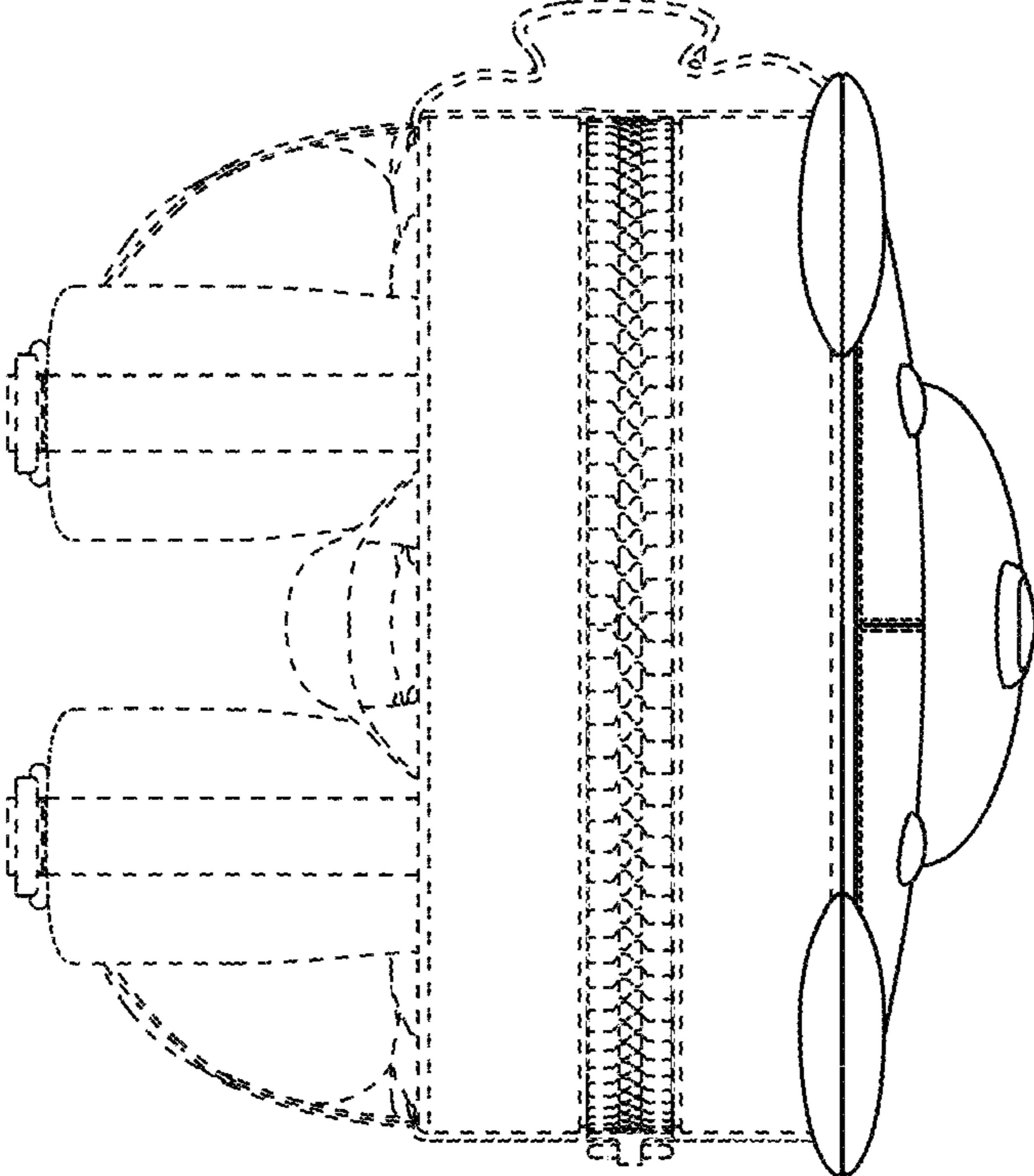
**FIG. 4**



**FIG. 5**

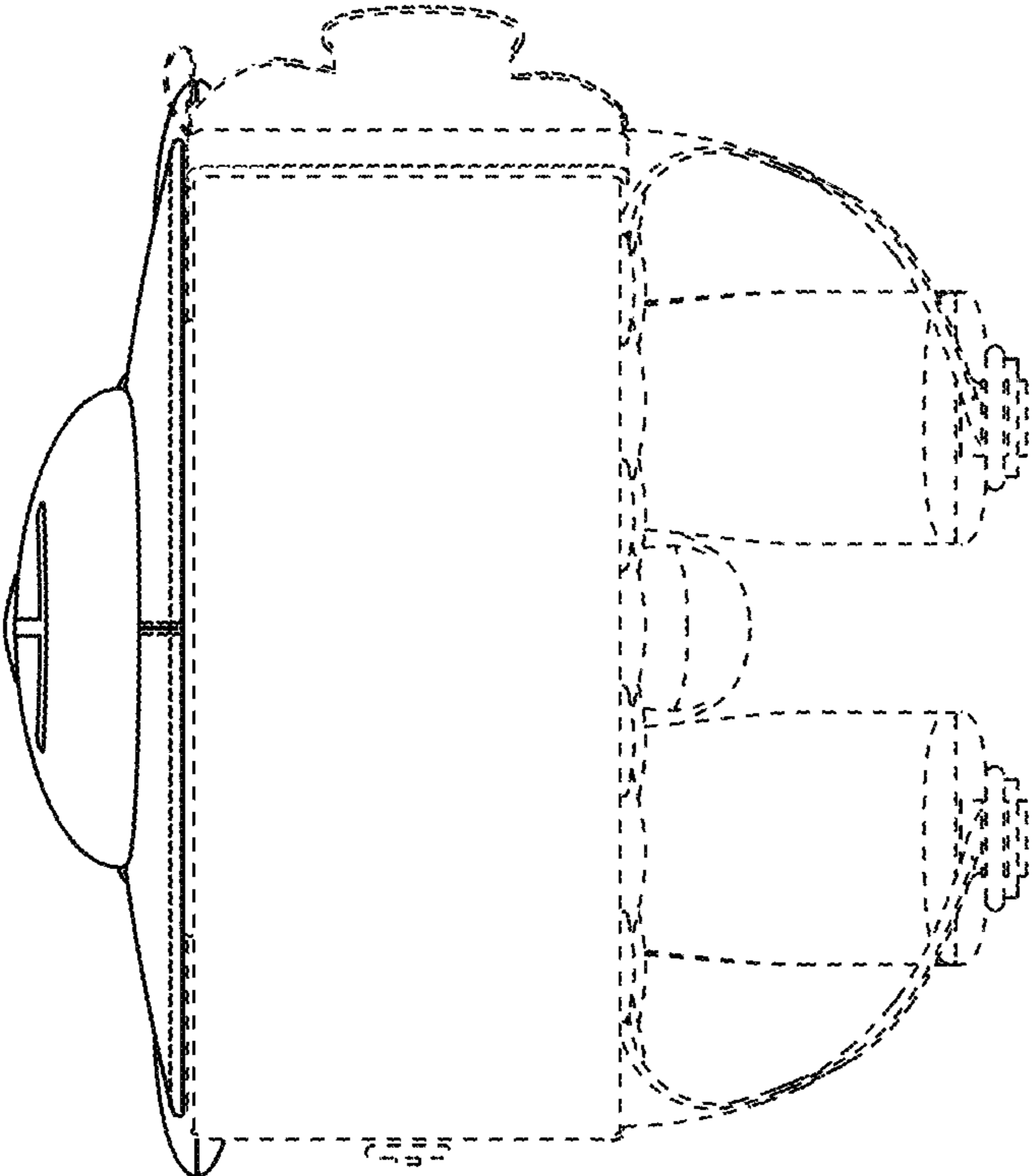


**FIG. 6**



**FIG. 7**





**FIG. 8**