



US00D803550S

(12) **United States Design Patent** (10) **Patent No.:** **US D803,550 S**
Shaholli et al. (45) **Date of Patent:** **** Nov. 28, 2017**

- (54) **BACKPACK WITH A BUNNY**
- (71) Applicant: **Puku LLC**, Hollywood, CA (US)
- (72) Inventors: **Karen Shaholli**, Los Angeles, CA (US);
Brendan Hutchieson, Los Angeles, CA (US)
- (73) Assignee: **PUKU LLC**, Hollywood, CA (US)
- (**) Term: **15 Years**
- (21) Appl. No.: **29/585,677**
- (22) Filed: **Nov. 28, 2016**
- (51) **LOC (10) Cl.** **03-01**
- (52) **U.S. Cl.**
USPC **D3/216; D3/223**
- (58) **Field of Classification Search**
USPC D3/216, 223, 234, 238, 318
CPC A45F 4/02; A45F 3/04; A45C 7/00; A45C
9/00; A45C 13/08; A45C 13/30
See application file for complete search history.

D617,095 S *	6/2010	Braccialini	D3/234
D617,548 S *	6/2010	Gold	D3/216
D620,702 S *	8/2010	Gold	D3/216
D623,238 S *	9/2010	Gold	D3/216
D624,748 S *	10/2010	Gold	D3/216
D685,989 S *	7/2013	Fitl	D3/216
D720,132 S *	12/2014	Zhou	D3/234
D722,234 S *	2/2015	BenDavid	D3/223
D734,024 S *	7/2015	Garcia	D3/216
D745,266 S *	12/2015	Jabbour, Jr.	D21/604
D747,092 S *	1/2016	Jabbour, Jr.	D21/604
9,226,565 B1 *	1/2016	Martin	A45F 4/06

* cited by examiner

Primary Examiner — Holly H Baynham

(74) *Attorney, Agent, or Firm* — Locke Lord LLP; Tim Tingkang Xia, Esq.

(57) **CLAIM**

The ornamental design for a backpack with a bunny, as shown and described.

DESCRIPTION

FIG. 1 is a perspective view of a backpack with a bunny, according to the design;
 FIG. 2 is another perspective view thereof;
 FIG. 3 is a front elevation view thereof;
 FIG. 4 is a rear elevation view thereof;
 FIG. 5 is a right side elevation view thereof;
 FIG. 6 is a left side elevation view thereof;
 FIG. 7 is a top plan view thereof; and,
 FIG. 8 is a bottom plan view thereof.

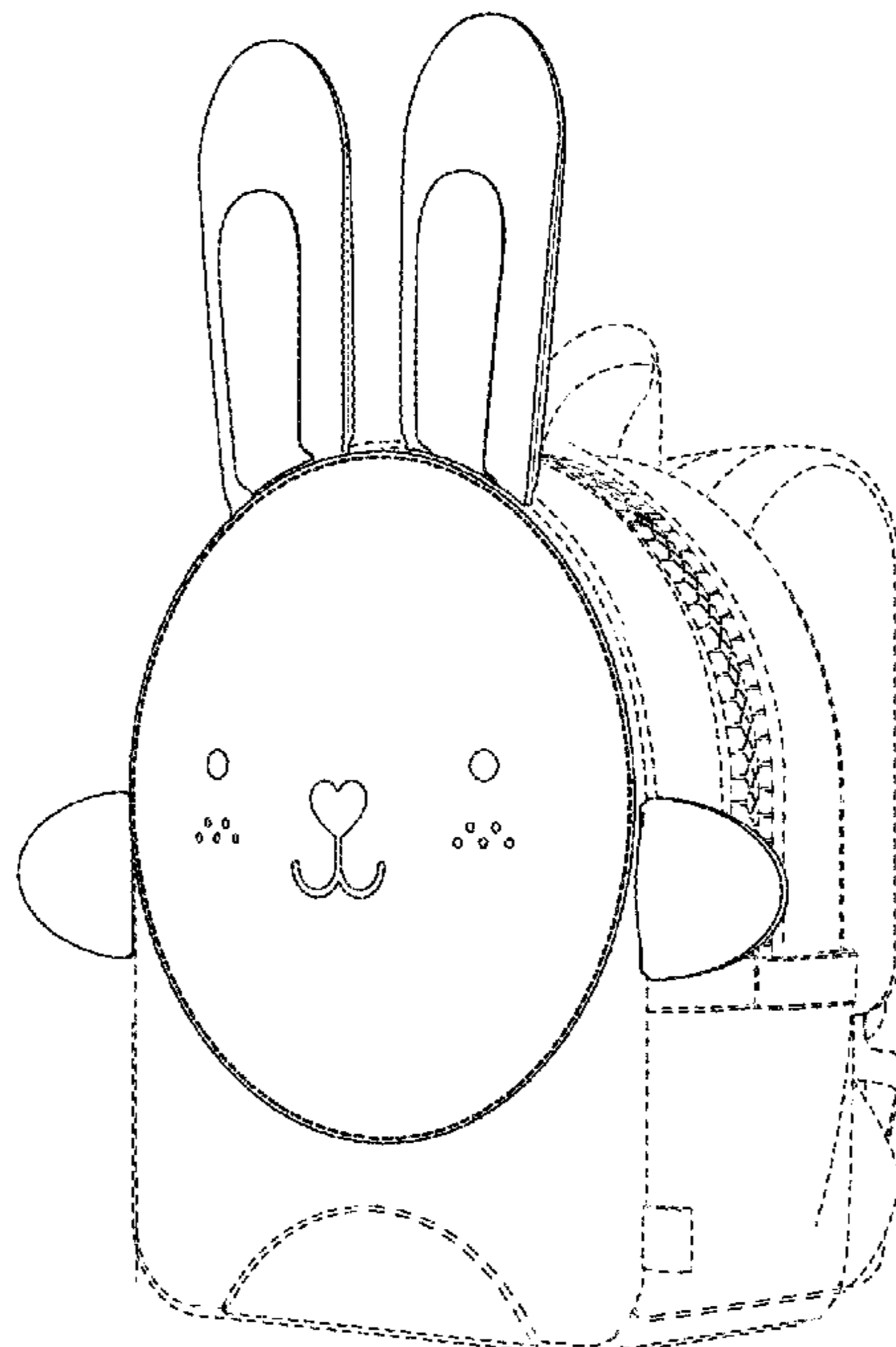
The broken lines showing of a backpack are for the purpose of illustrating environmental structures of the backpack with a bunny and form no part of the claimed design.

1 Claim, 8 Drawing Sheets

(56) **References Cited**

U.S. PATENT DOCUMENTS

2,504,551 A *	4/1950	Levinson	A45C 13/08 150/111
D335,027 S *	4/1993	Flood	D21/655
D358,476 S *	5/1995	Winkos	D3/235
D372,357 S *	8/1996	Woods	D3/234
D438,700 S *	3/2001	Willingham	A45F 3/04 D3/216
6,510,974 B2 *	1/2003	Willingham	A45C 7/0095 190/16
D606,746 S *	12/2009	Braccialini	D3/238
D614,398 S *	4/2010	Gold	D3/216



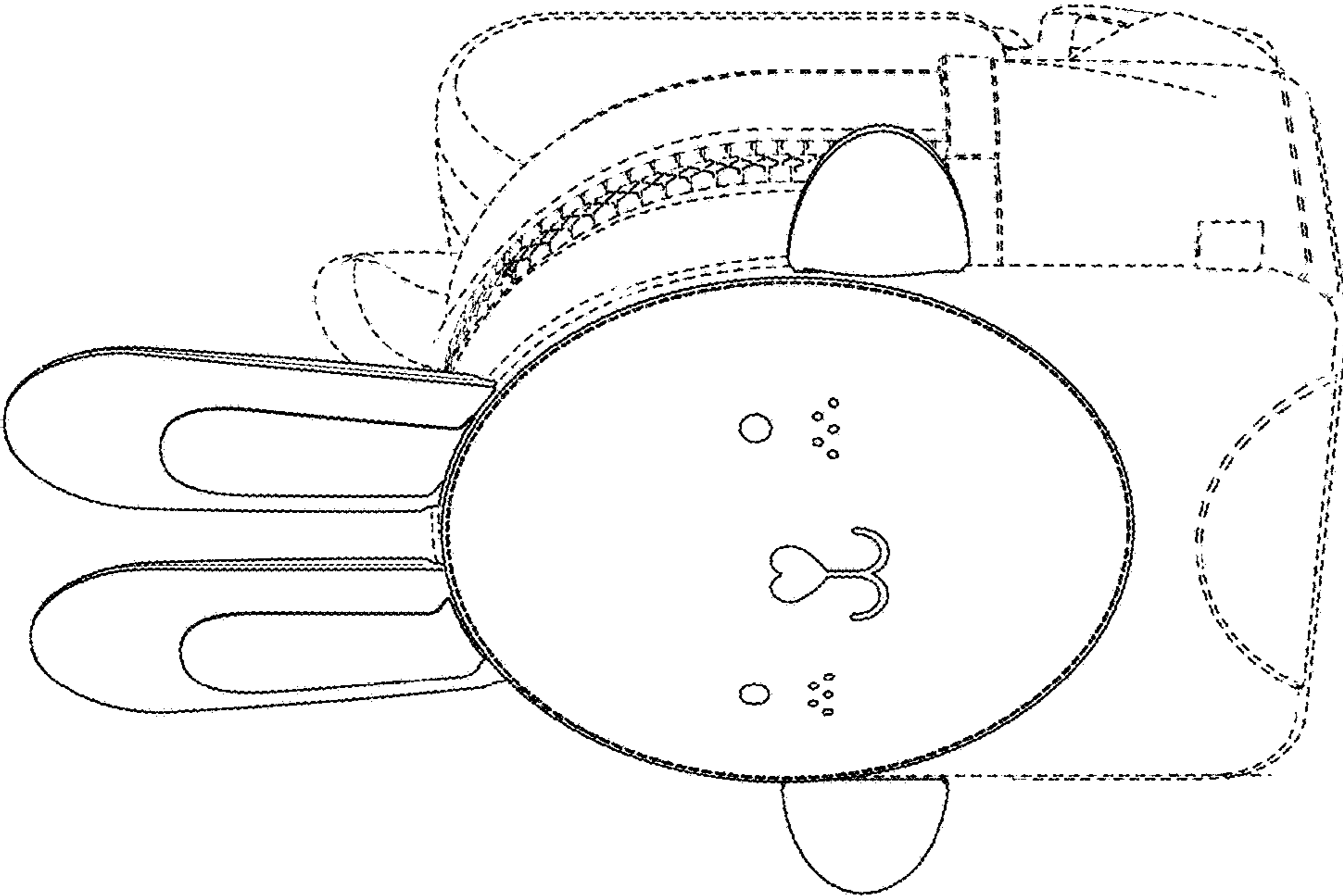


FIG. 1

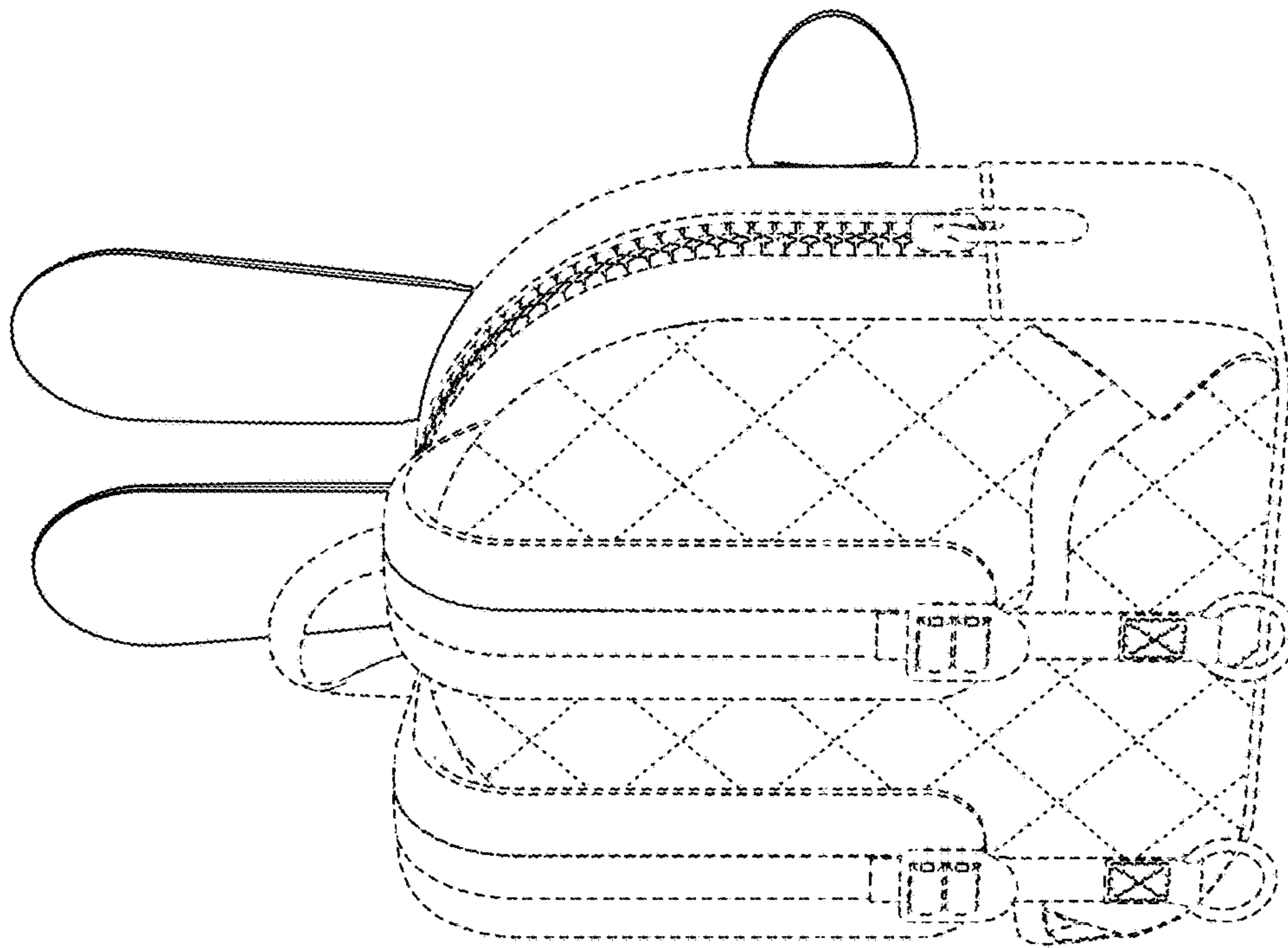


FIG. 2

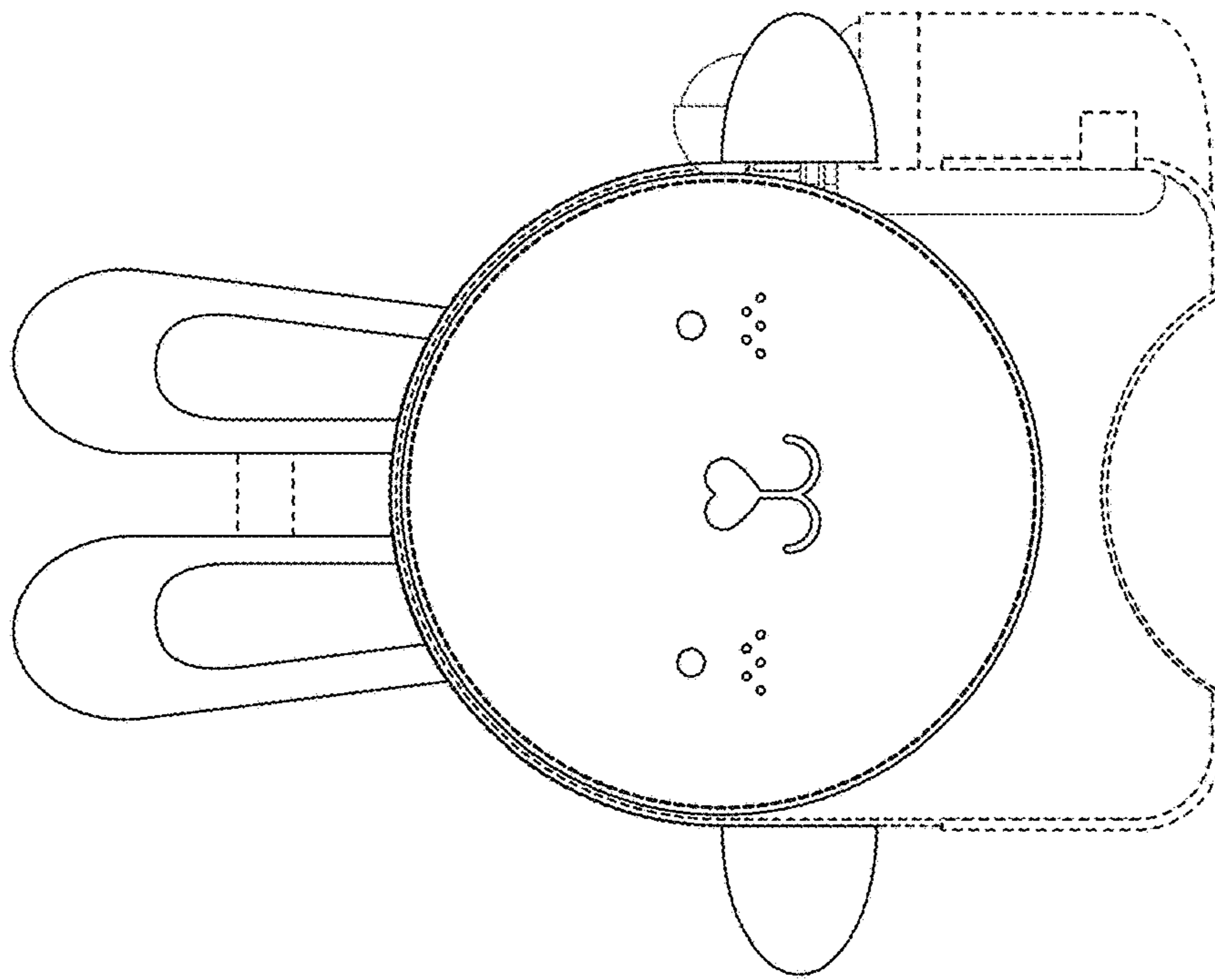


FIG. 3

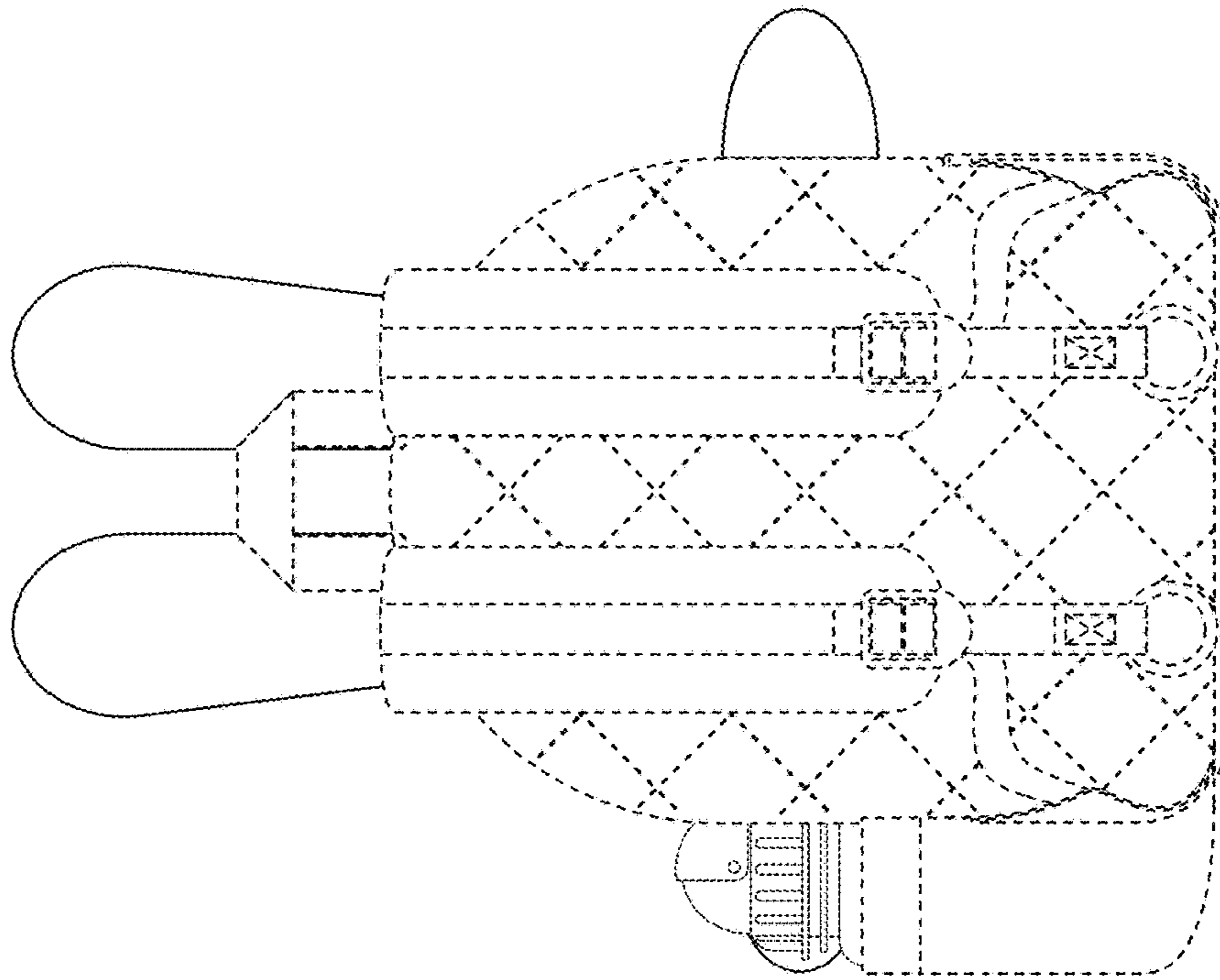


FIG. 4

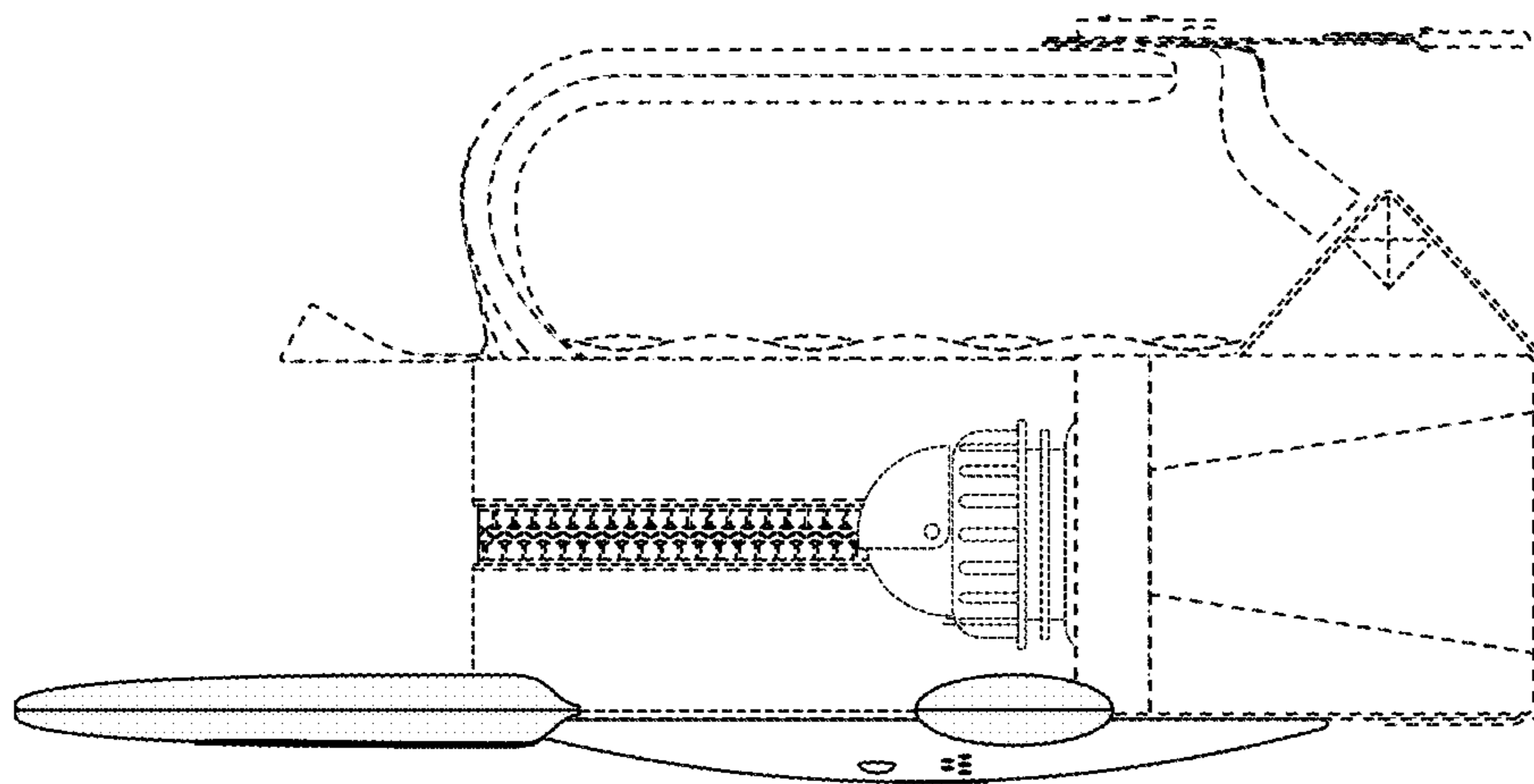


FIG. 5

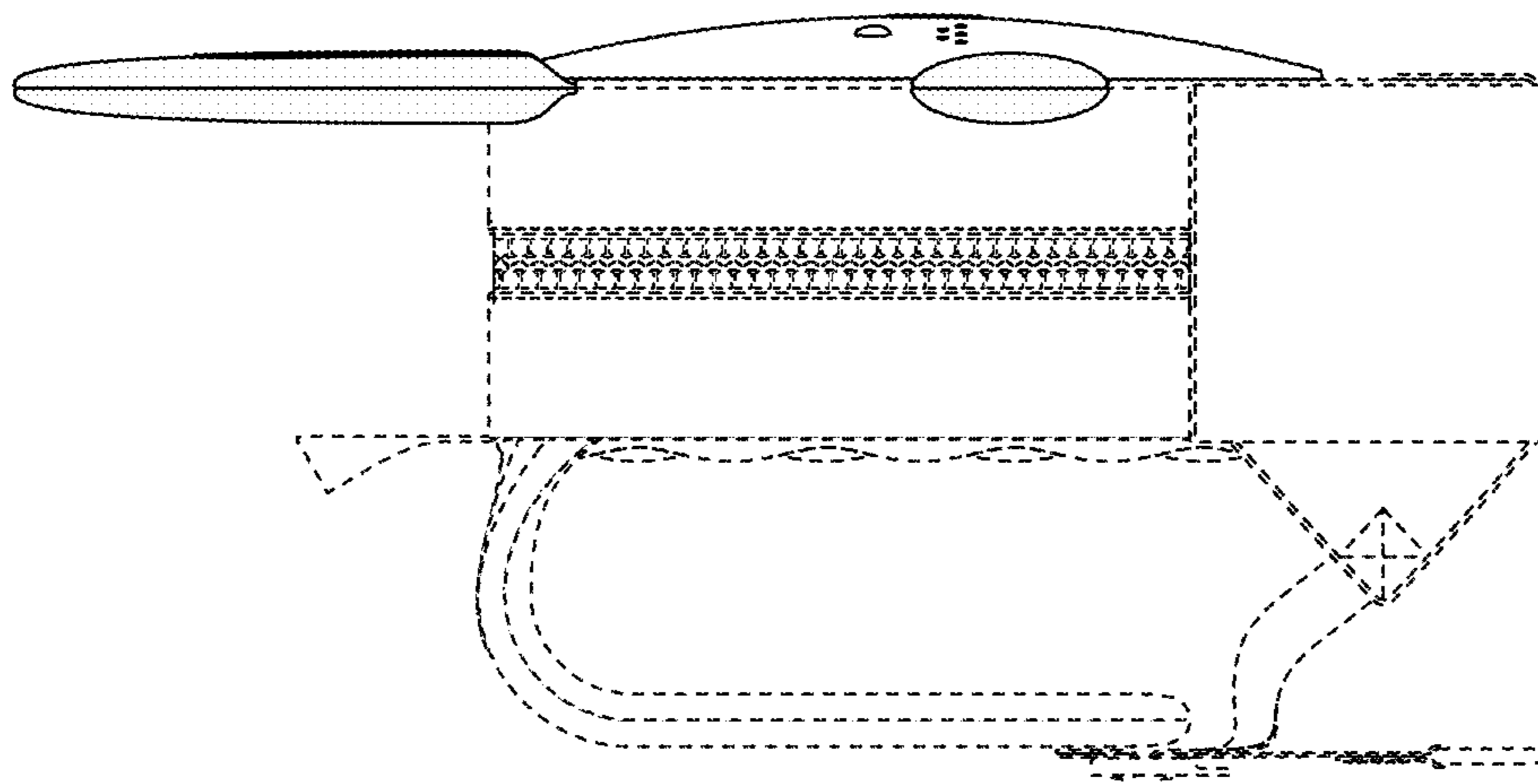


FIG. 6

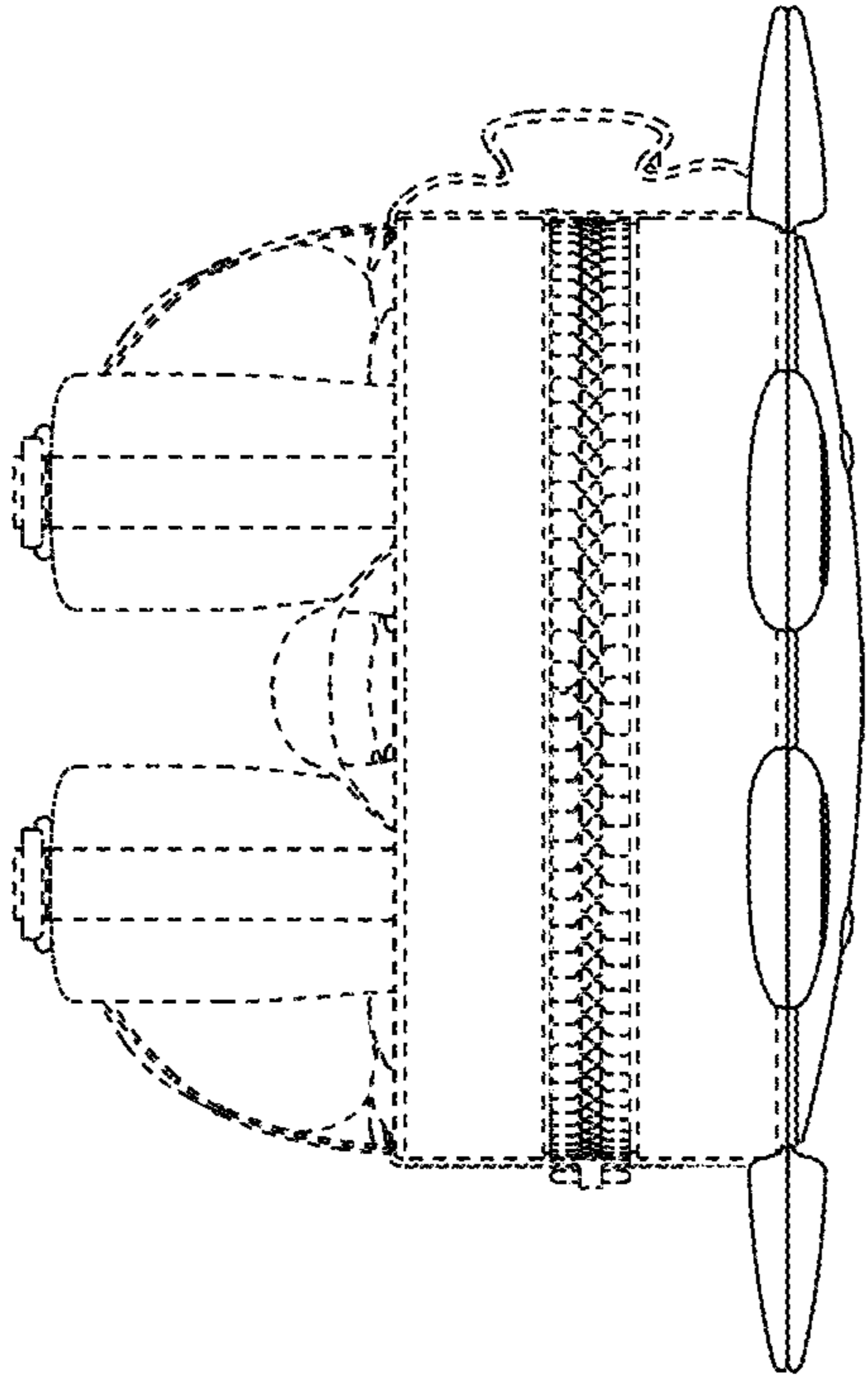


FIG. 7

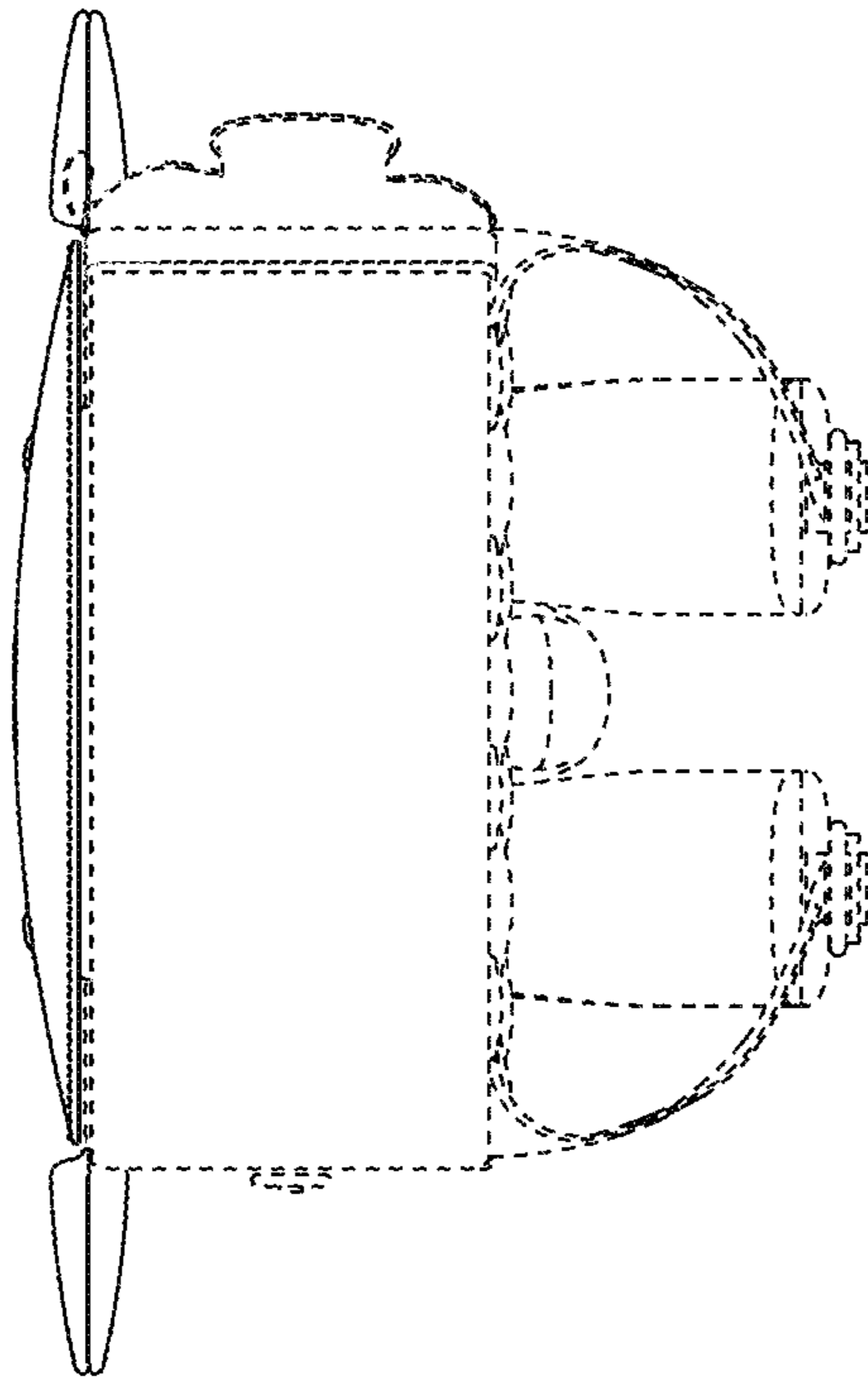


FIG. 8