



US00D803545S

(12) **United States Design Patent**
Rothbucher et al.

(10) **Patent No.:** **US D803,545 S**

(45) **Date of Patent:** **** Nov. 28, 2017**

- (54) **UMBRELLA HANDLE**
- (71) Applicant: **doppler E. Doppler & Co. GmbH**,
Braunau-Ranshofen (AT)
- (72) Inventors: **Bernhard Rothbucher**, Salzburg (AT);
Mathias Roher, Linz (AT); **Fredrik Linnér**, Salzburg (AT)
- (73) Assignee: **doppler E. Doppler & Co. GmbH**,
Braunau-Ranshofen (AT)
- (**) Term: **15 Years**
- (21) Appl. No.: **29/580,298**
- (22) Filed: **Oct. 7, 2016**
- (30) **Foreign Application Priority Data**

Jun. 28, 2016 (EM) 003252998-0003

(51) **LOC (10) Cl.** **03-03**

(52) **U.S. Cl.**
USPC **D3/12**

(58) **Field of Classification Search**
USPC D3/5, 6, 10, 12, 16; D8/300, 301, 302,
D8/308, 309
CPC A45B 7/00; A45B 7/005; A45B 2009/002;
A45B 2009/005; A45B 9/02; A45B
23/00; A45B 2023/0075; A45B 2025/003;
A45B 25/08; A45B 25/14; A45B
2025/146
See application file for complete search history.

(56) **References Cited**

U.S. PATENT DOCUMENTS

- 4,674,522 A * 6/1987 Ma A45B 17/00
135/20.3
- 4,697,606 A * 10/1987 Ma A45B 17/00
135/20.3
- D336,233 S * 6/1993 Zimmermann 74/545

- 5,437,297 A * 8/1995 Crisman A45B 25/14
135/20.1
- 5,509,327 A * 4/1996 Cropley B66D 1/7468
74/545
- D379,580 S * 6/1997 Amundsen D15/142
- 5,884,859 A * 3/1999 Ma A45B 25/14
135/20.3
- D435,779 S * 1/2001 Marzolf D8/302
- 6,230,724 B1 * 5/2001 Lai A45B 17/00
135/20.3
- 6,761,180 B1 * 7/2004 Lai A45B 17/00
135/20.1
- D523,320 S * 6/2006 Bertani D8/309
- 7,111,954 B1 * 9/2006 Lai A45B 3/04
362/102
- D574,144 S * 8/2008 Ortiz-Gavin D3/10
- D668,445 S * 10/2012 Patzak D3/10
- D738,610 S * 9/2015 Ma D3/10
- D745,361 S * 12/2015 Glasband D8/309
- D760,057 S * 6/2016 Bertani D8/309

(Continued)

Primary Examiner — John Windmuller

Assistant Examiner — Steven Czyz

(74) *Attorney, Agent, or Firm* — Collard & Roe, P.C.

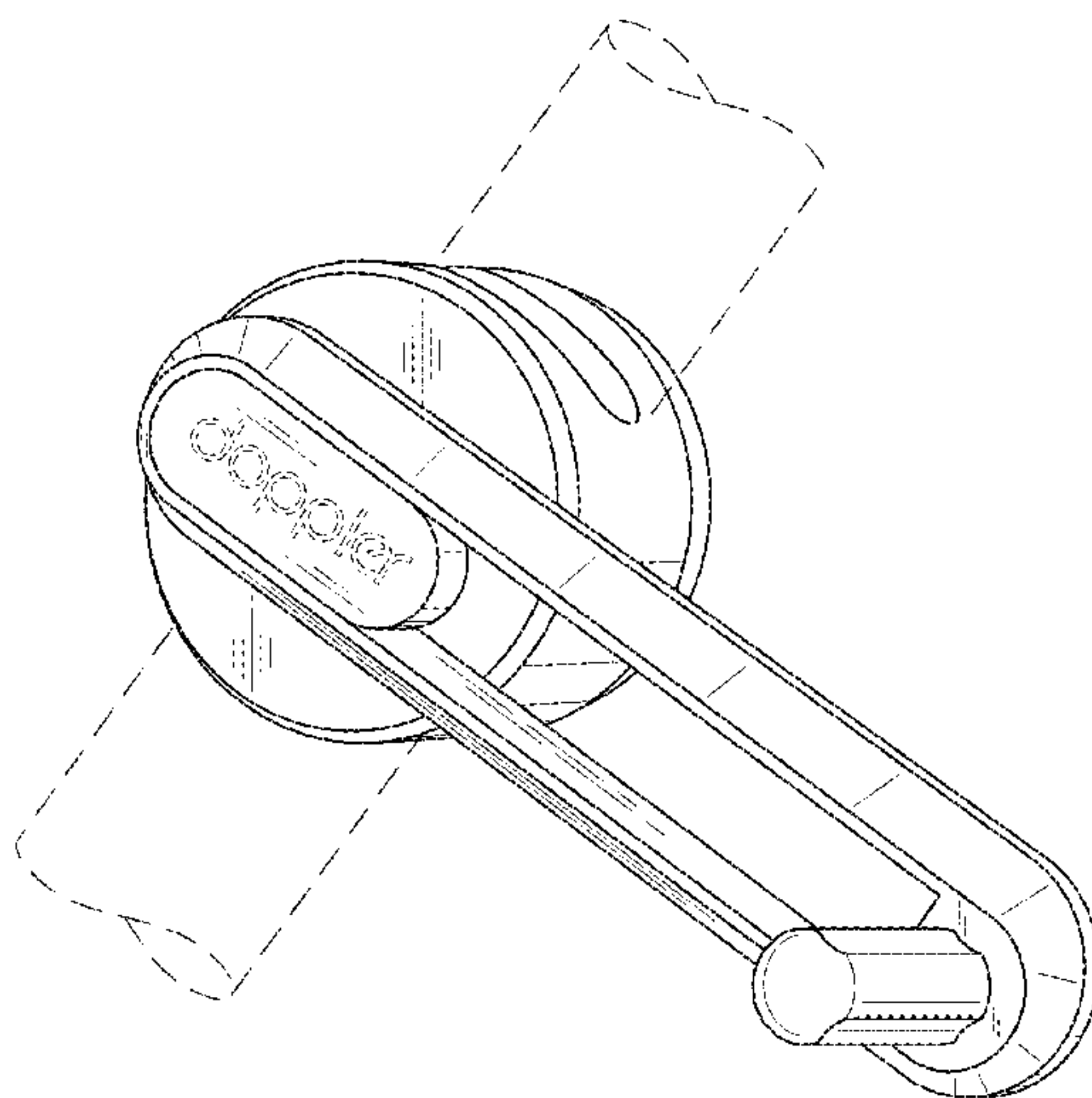
(57) **CLAIM**

The ornamental design for an umbrella handle, as shown and described.

DESCRIPTION

FIG. 1 is a front, right side and top perspective view of an umbrella handle, showing our new design;
FIG. 2 is a front view thereof;
FIG. 3 is a rear view thereof, opposite the side view of FIG. 2;
FIG. 4 is a left side view thereof; and,
FIG. 5 is a top view thereof, with the bottom view being a mirror image thereof.
The broken lines depict environment and portions of the article that form no part of the claimed design.

1 Claim, 3 Drawing Sheets



(56)

References Cited

U.S. PATENT DOCUMENTS

2002/0079398	A1 *	6/2002	Liu	A45B 25/14 242/395
2002/0092550	A1 *	7/2002	Chang	A45B 25/14 135/20.3
2002/0092944	A1 *	7/2002	Lin	A45B 25/14 242/396.6
2003/0015228	A1 *	1/2003	Liu	A45B 25/14 135/16
2003/0015229	A1 *	1/2003	Ma	A45B 25/14 135/16
2003/0234033	A1 *	12/2003	Lai	A45B 25/14 135/20.3

* cited by examiner

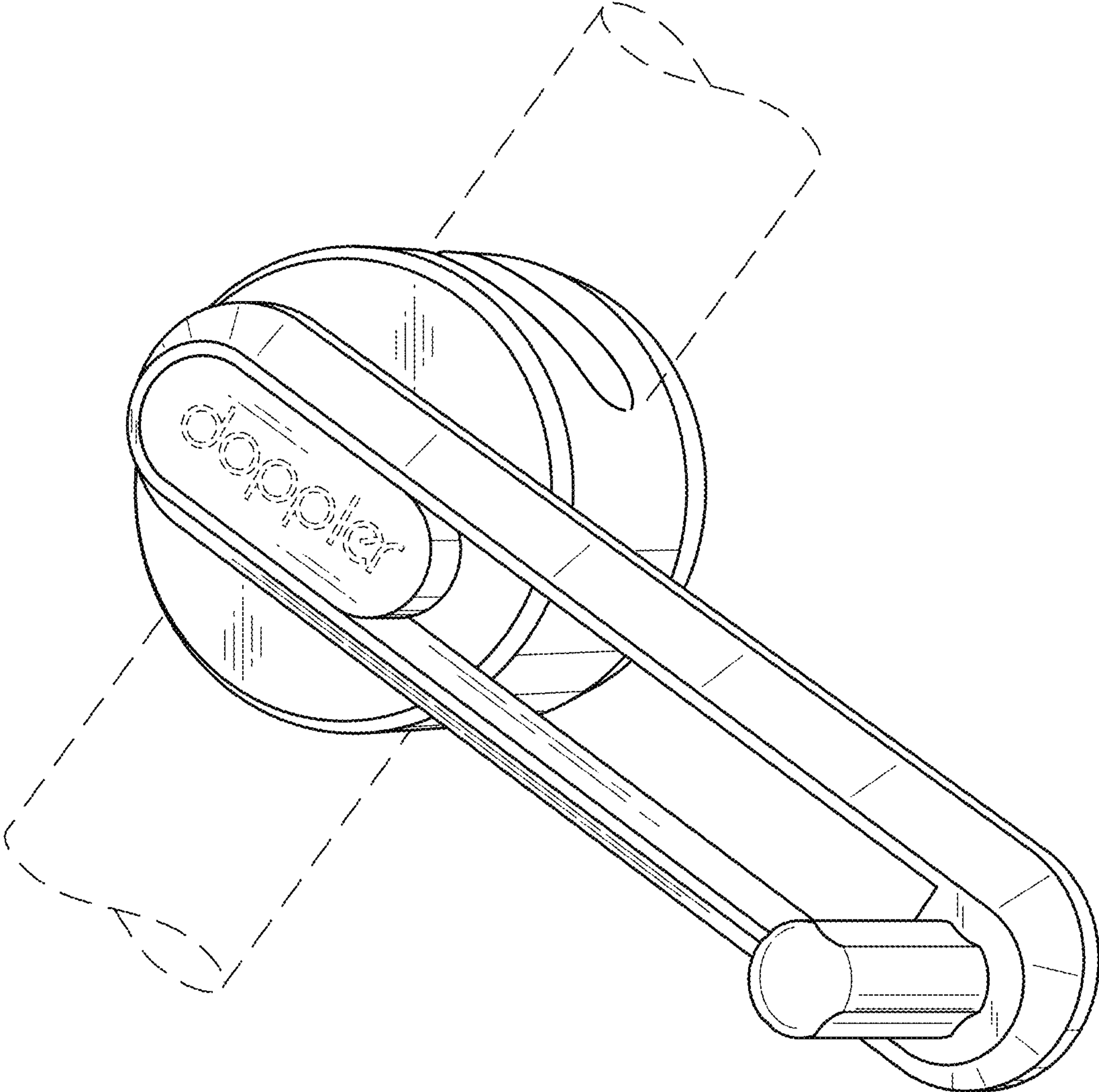
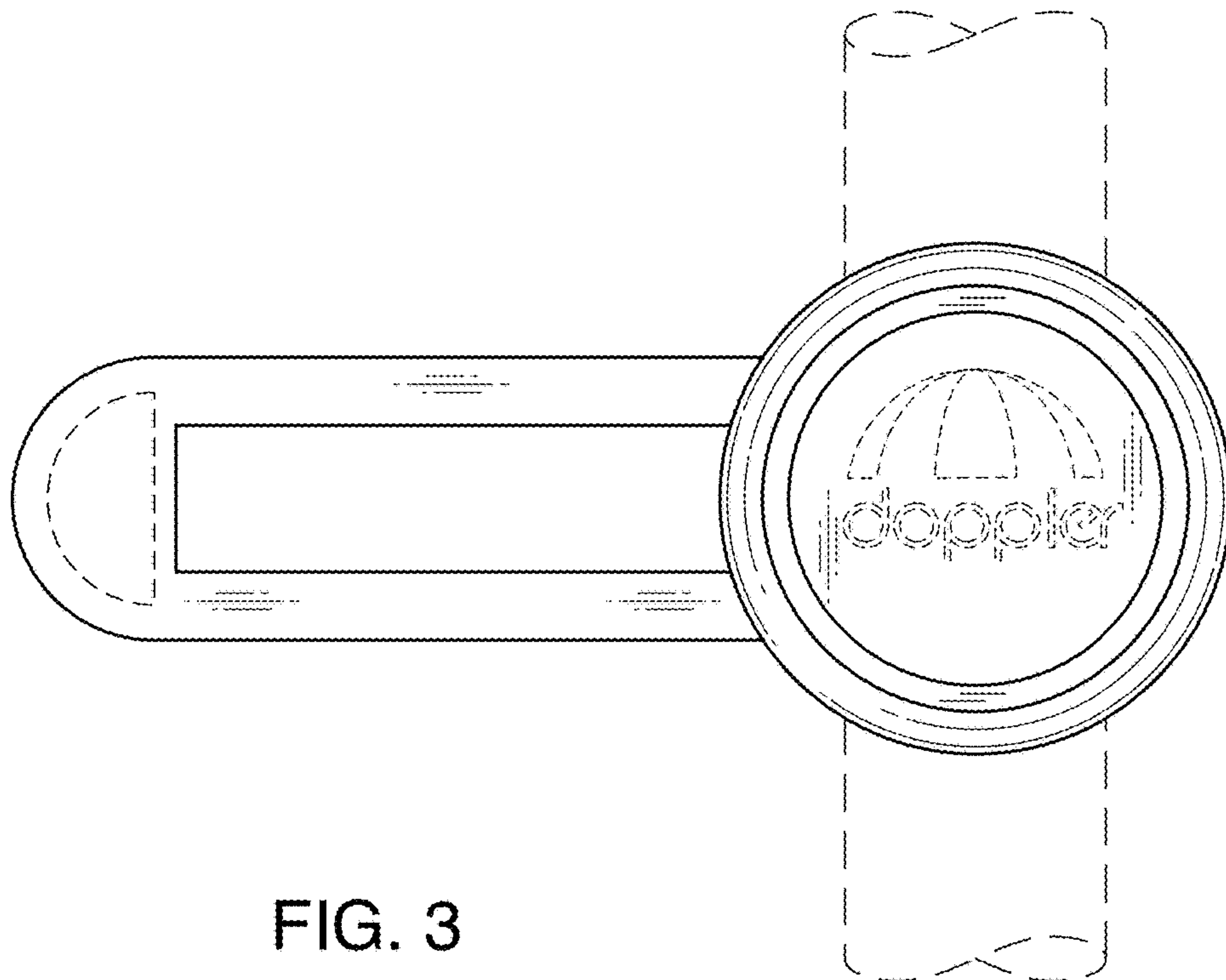
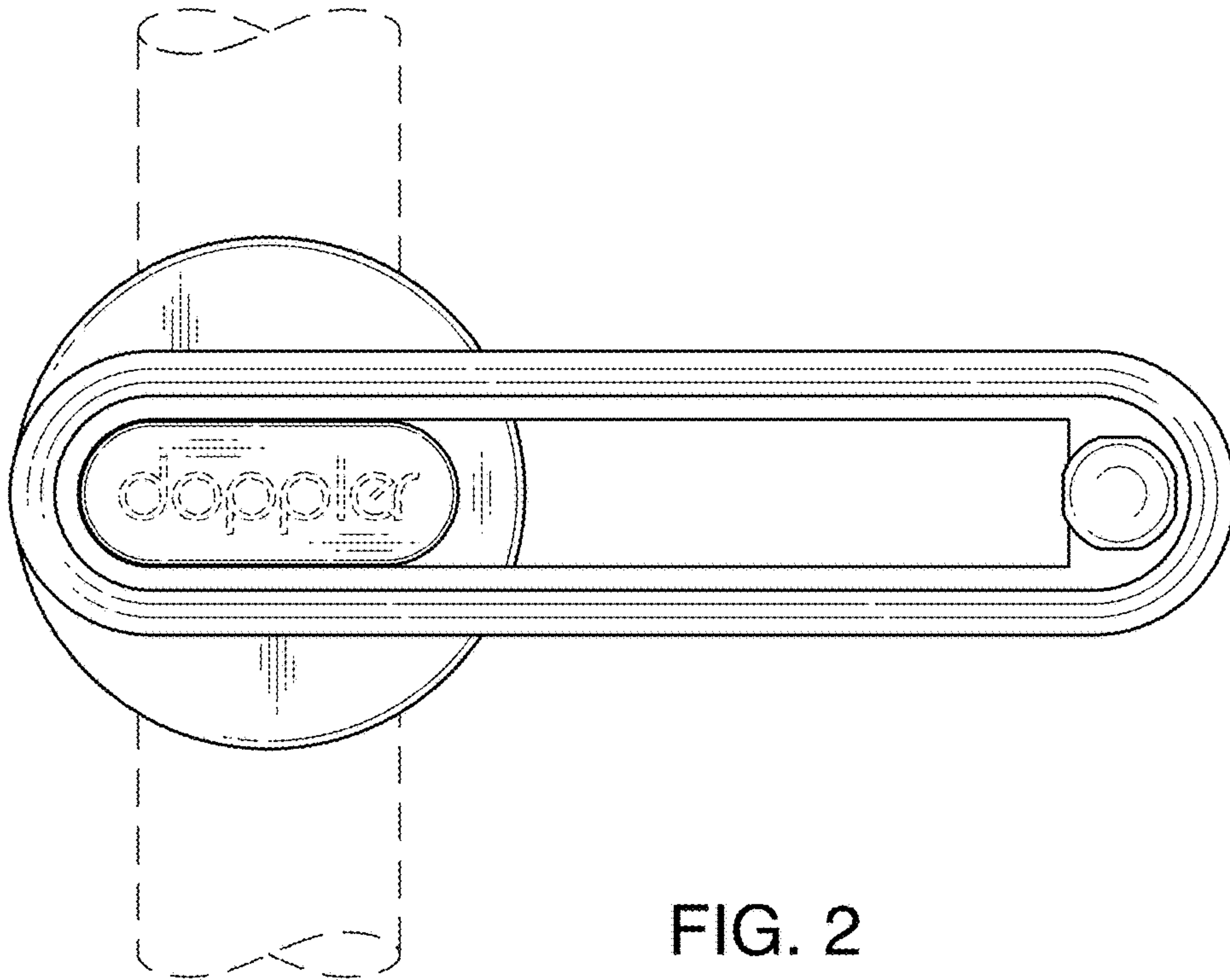


FIG. 1



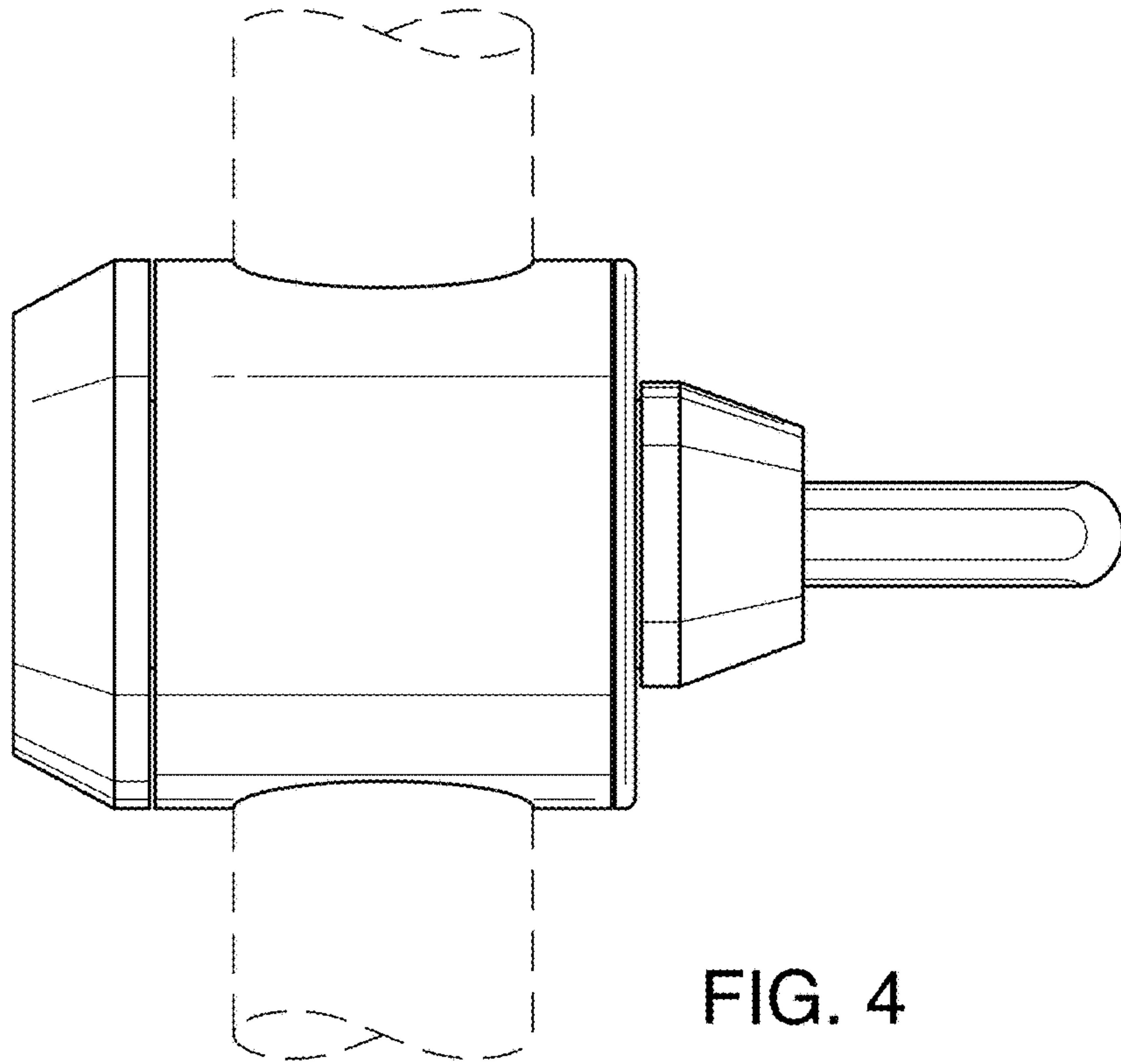


FIG. 4

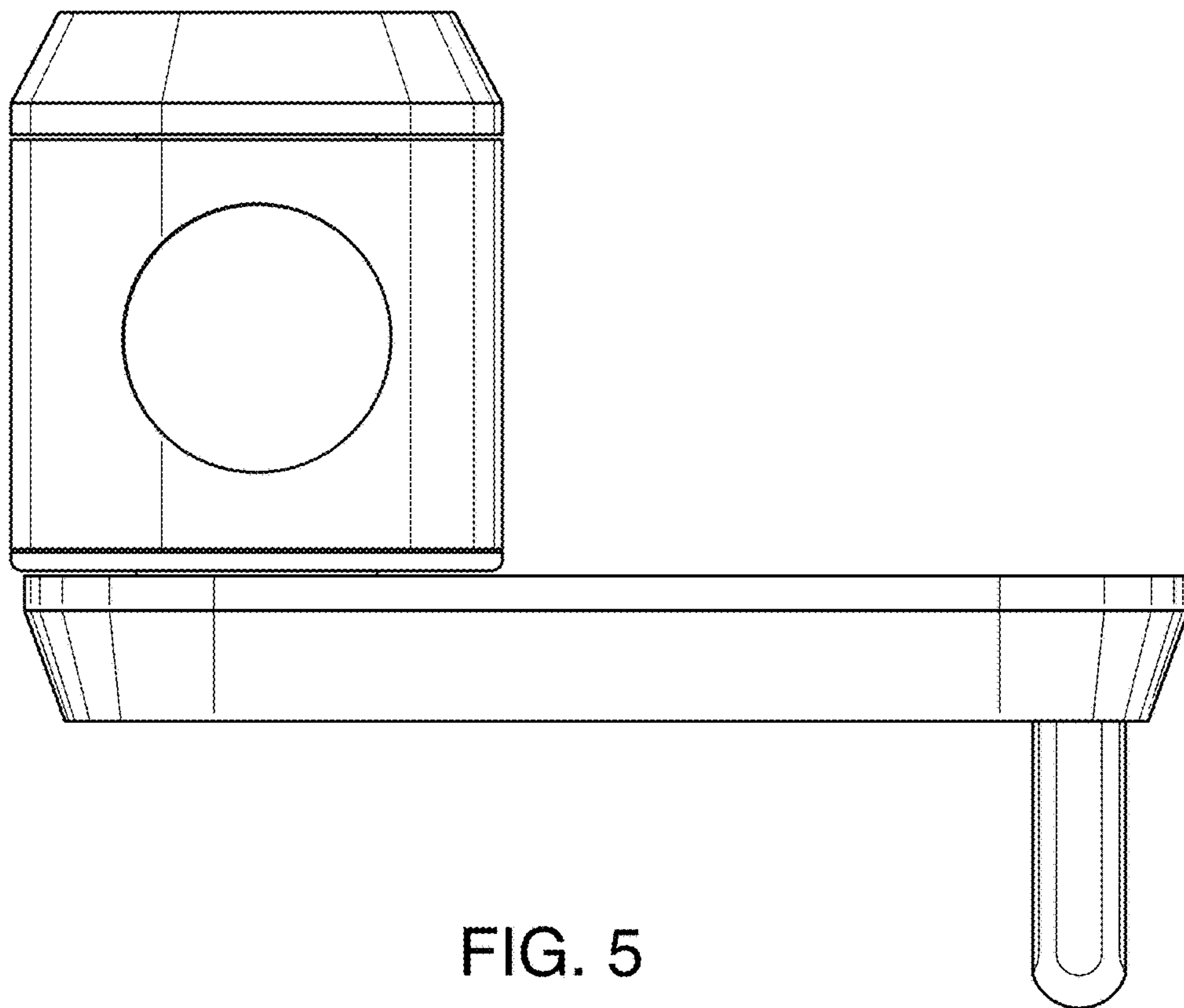


FIG. 5