



US00D803534S

(12) **United States Design Patent** (10) **Patent No.:** **US D803,534 S**  
**Strother** (45) **Date of Patent:** **\*\* Nov. 28, 2017**

(54) **FOOTWEAR TREAD**

(71) Applicant: **TBL Licensing LLC**, Wilmington, DE (US)

(72) Inventor: **Brian Strother**, Dover, NH (US)

(73) Assignee: **TBL Licensing LLC**, Stratham, NH (US)

(\*\*) Term: **15 Years**

(21) Appl. No.: **29/545,865**

(22) Filed: **Nov. 17, 2015**

**Related U.S. Application Data**

(62) Division of application No. 29/485,620, filed on Mar. 20, 2014, now Pat. No. Des. 764,780.

(51) **LOC (10) Cl.** ..... **02-04**

(52) **U.S. Cl.**  
USPC ..... **D2/957**; D2/951; D2/959

(58) **Field of Classification Search**  
USPC ..... D2/902, 906, 908, 916, 918, 925,  
D2/946-962, 977; 36/3 B, 22 R, 24.5,  
36/25 R, 28, 32 R, 34 R, 59 C, 67 A, 103  
CPC ..... A43B 13/00; A43B 13/02; A43B 13/023;  
A43B 13/026; A43B 13/04; A43B 13/08;  
A43B 13/10; A43B 13/12; A43B 13/14;

(Continued)

(56) **References Cited**

**U.S. PATENT DOCUMENTS**

D80,433 S † 2/1930 Chirfield  
D197,505 S † 2/1964 Hingham

(Continued)

*Primary Examiner* — T. Chase Nelson

(74) *Attorney, Agent, or Firm* — Lerner, David,  
Littenberg, Krumholz & Mentlik, LLP

(57) **CLAIM**

The ornamental design for a footwear tread, as shown and described.

**DESCRIPTION**

FIG. 1 is a plan view of a footwear tread applied to an unclaimed shoe sole in accordance with a first embodiment of the ornamental design;

FIG. 2 is a perspective view of the footwear tread of the first embodiment;

FIG. 3 is a top plan view of the footwear tread of the first embodiment;

FIG. 4 is a left side elevational view of the footwear tread of the first embodiment;

FIG. 5 is a right side elevational view of the footwear tread of the first embodiment;

FIG. 6 is a rear elevational view of the footwear tread of the first embodiment;

FIG. 7 is a front elevational view of the footwear tread of the first embodiment;

FIG. 8 is a plan view of a footwear tread applied to an unclaimed shoe sole in accordance with a second embodiment of the ornamental design;

FIG. 9 is a perspective view of the footwear tread of the second embodiment;

FIG. 10 is a top plan view of the footwear tread of the second embodiment;

FIG. 11 is a left side elevational view of the footwear tread of the second embodiment;

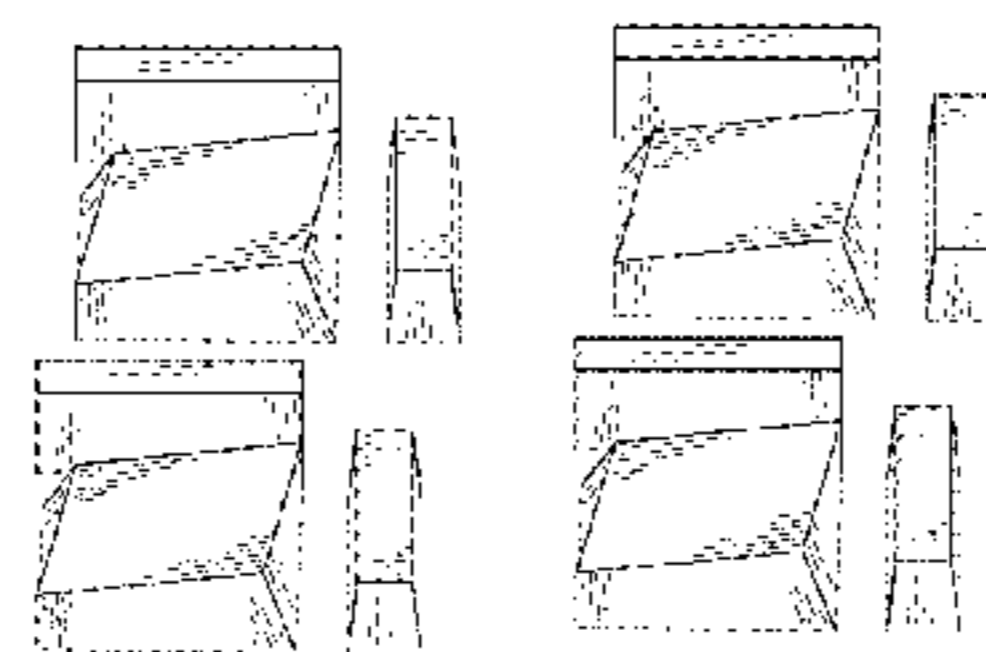
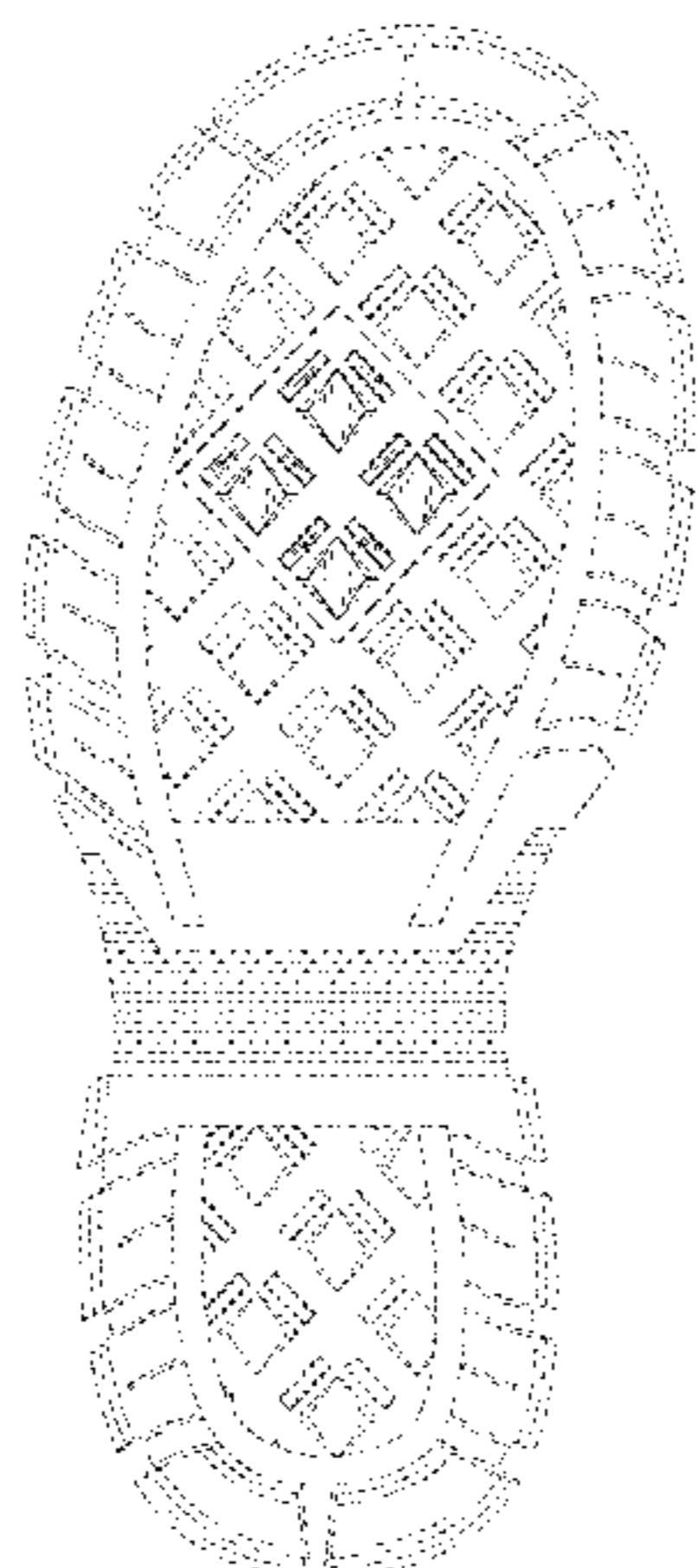
FIG. 12 is a right side elevational view of the footwear tread of the second embodiment;

FIG. 13 is a rear elevational view of the footwear tread of the second embodiment; and,

FIG. 14 is a front elevational view of the footwear tread of the second embodiment.

Broken lines are environmental only and form no part of the claimed design. Broken lines adjacent shaded areas of the design represent the bounds of the claimed design and are not themselves a part of the claimed design.

**1 Claim, 6 Drawing Sheets**



(58) **Field of Classification Search**  
 CPC ..... A43B 13/141; A43B 13/143; A43B 13/16;  
 A43B 13/18; A43B 13/181; A43B  
 13/187; A43B 13/189; A43B 13/20; A43B  
 13/22; A43B 13/223; A43B 13/24; A43B  
 13/28; A43B 13/30; A43B 13/32; A43B  
 13/34; A43B 13/36  
 See application file for complete search history.

(56) **References Cited**

U.S. PATENT DOCUMENTS

D296,724 S † 7/1988 Peterson  
 D354,845 S † 1/1995 Bramani  
 D355,754 S † 2/1995 Brandon  
 D373,897 S † 9/1996 Takatani et al.  
 5,806,209 A † 9/1998 Crowley et al.  
 D402,095 S † 12/1998 Cretinon  
 D405,597 S † 2/1999 Carlson  
 D406,691 S † 3/1999 McDowell  
 D407,193 S † 3/1999 Doxey  
 D460,608 S † 7/2002 Laberge et al.  
 D476,740 S † 7/2003 De Carvalho et al.  
 D476,799 S † 7/2003 Fuerst  
 D490,596 S † 6/2004 Belley et al.  
 D491,944 S † 6/2004 Lutnick et al.  
 D495,480 S \* 9/2004 Laberge ..... D2/953  
 D499,536 S † 12/2004 Castleberry  
 D504,205 S † 4/2005 Andrews-Kramer  
 D507,398 S † 7/2005 Recchi  
 D513,112 S † 12/2005 Le  
 D515,291 S † 2/2006 Sonnergren  
 D524,520 S † 7/2006 Marvin  
 D531,394 S † 11/2006 Bonnemere  
 D547,038 S † 7/2007 Nakano  
 D553,334 S † 10/2007 Belley et al.  
 D556,987 S † 12/2007 Nakano  
 D558,434 S † 1/2008 Roth  
 D561,439 S † 2/2008 Schoenborn et al.  
 D566,938 S † 4/2008 Matis et al.  
 D570,582 S † 6/2008 Roy et al.

D570,584 S † 6/2008 Gay  
 D574,583 S † 8/2008 St-Louis et al.  
 D574,584 S † 8/2008 Earle  
 D580,141 S † 11/2008 Banik et al.  
 D595,036 S † 6/2009 Link  
 D602,237 S † 10/2009 Roundhouse  
 D604,933 S † 12/2009 Anderson  
 D619,344 S † 7/2010 Favreau et al.  
 D620,243 S † 7/2010 McClaskie  
 D620,692 S † 8/2010 McClaskie  
 D635,754 S † 4/2011 Mariman  
 D663,518 S † 7/2012 McClaskie  
 D664,343 S † 7/2012 McClaskie  
 D677,453 S † 3/2013 Sakai  
 D677,455 S \* 3/2013 Pizzuti ..... D2/951  
 D707,933 S † 7/2014 McCourt  
 D736,509 S † 8/2015 Bikowski  
 D743,678 S \* 11/2015 Dombrow ..... D2/951  
 D744,733 S \* 12/2015 Adam ..... D2/951  
 D746,563 S \* 1/2016 Dombrow ..... D2/951  
 D749,310 S \* 2/2016 Greenhalgh ..... D2/951  
 D755,490 S \* 5/2016 Nakano ..... D2/951  
 D756,094 S \* 5/2016 Nyssen ..... D2/951  
 D758,709 S \* 6/2016 Youn ..... D2/962  
 D767,260 S \* 9/2016 Lubart ..... D2/909  
 D767,265 S \* 9/2016 Brown ..... D2/951  
 D768,369 S \* 10/2016 Padilla ..... D2/951  
 D771,362 S \* 11/2016 Dombrow ..... D2/951  
 D773,165 S \* 12/2016 Youn ..... D2/962  
 D779,177 S \* 2/2017 Gibson ..... D2/951  
 D785,305 S \* 5/2017 Adam ..... D2/951  
 D790,184 S \* 6/2017 Engel ..... D2/951  
 D790,824 S \* 7/2017 Shen ..... D2/951  
 2003/0172548 A1 † 9/2003 Fuerst  
 2005/0072026 A1 † 4/2005 Sink  
 2010/0170106 A1 \* 7/2010 Brewer ..... A43B 7/24  
 36/28  
 2012/0000095 A1 † 1/2012 Torrance  
 2012/0110876 A1 † 5/2012 Lubart  
 2015/0223560 A1 † 8/2015 Wawrousek et al.

\* cited by examiner  
 † cited by third party

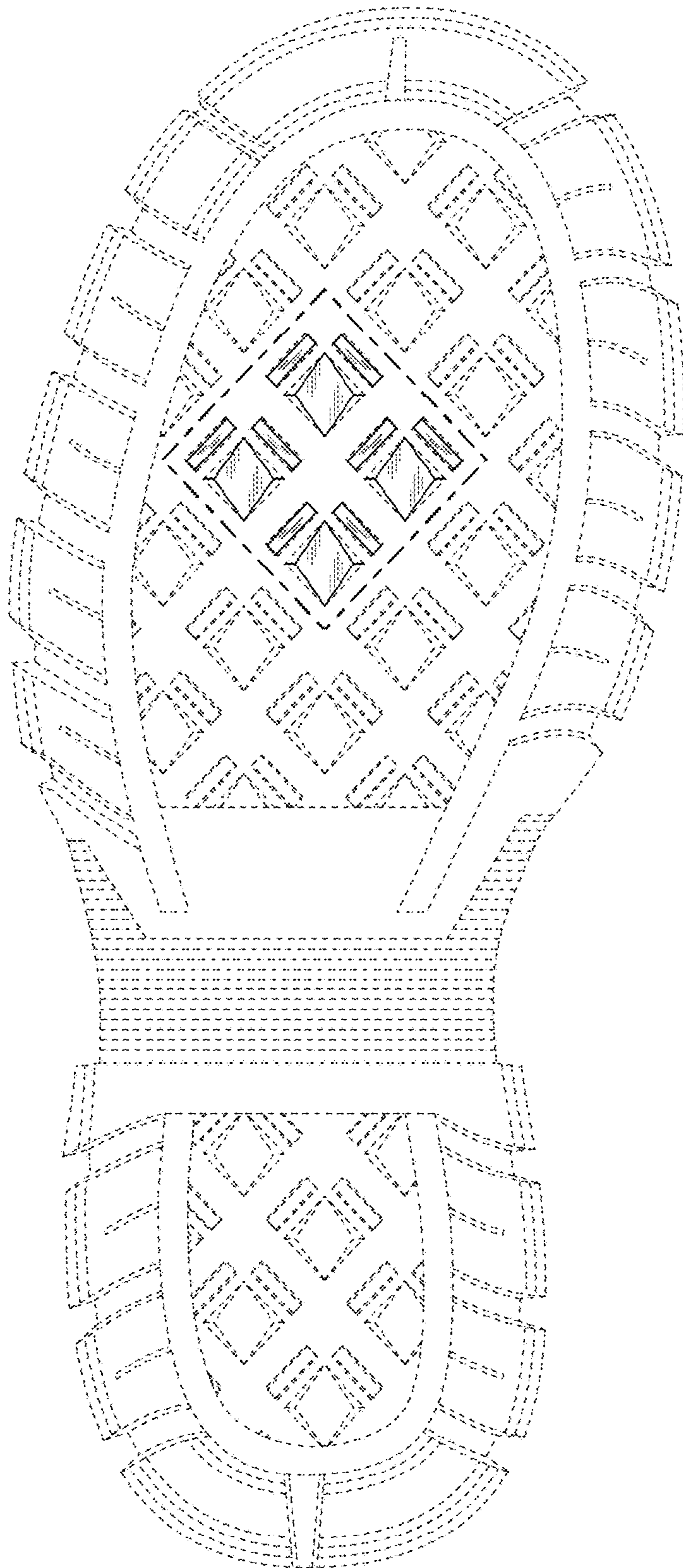


FIG. 1

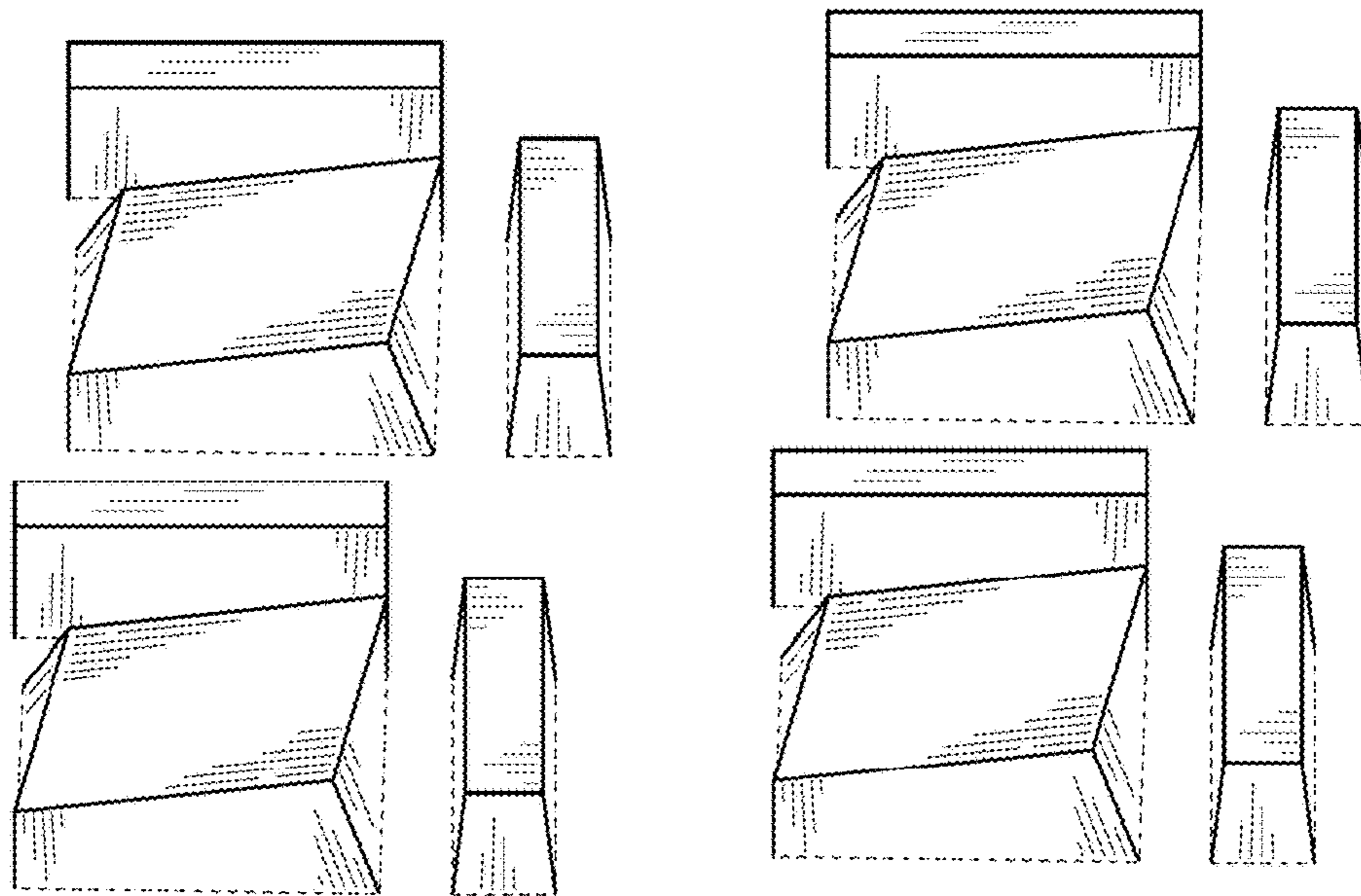


FIG. 2

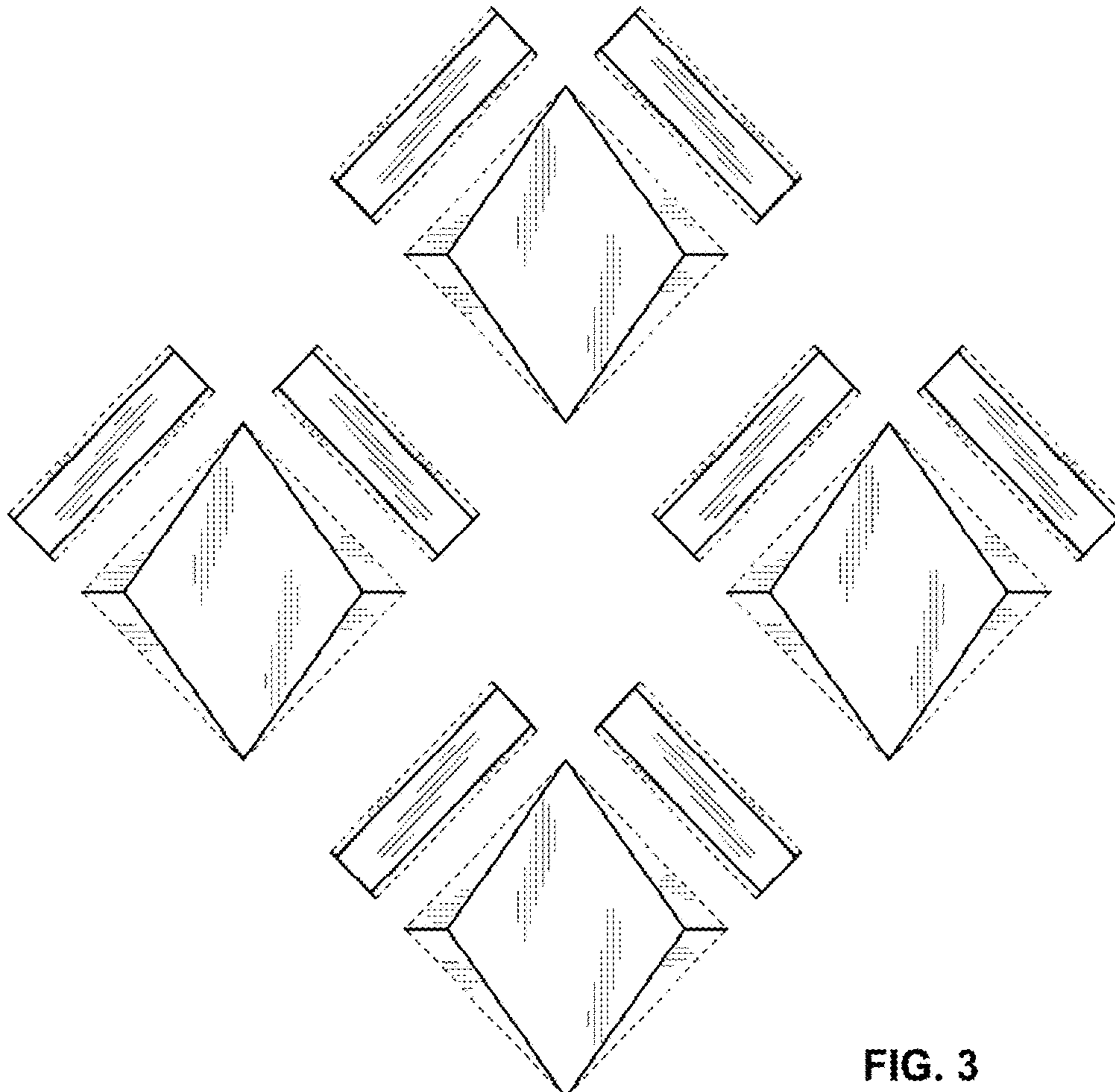


FIG. 3

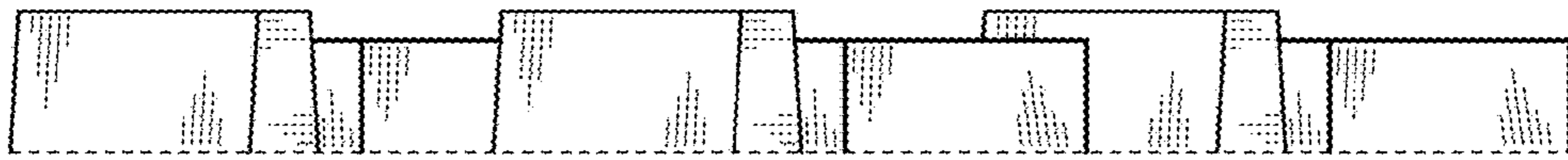


FIG. 4



FIG. 5

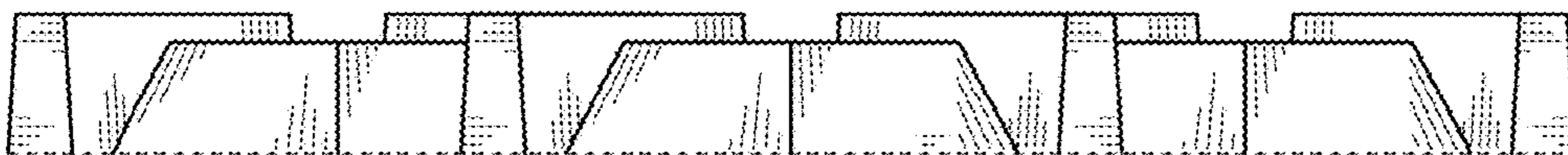


FIG. 6

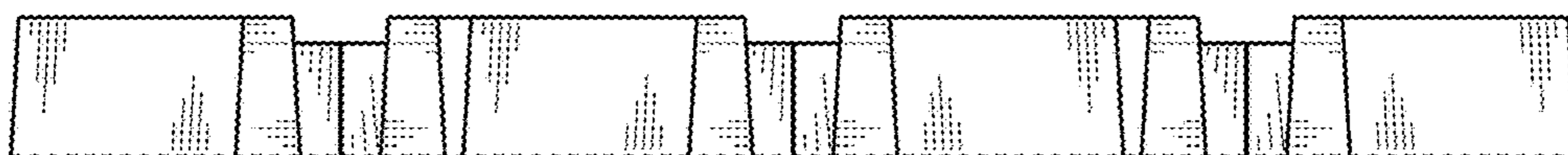


FIG. 7

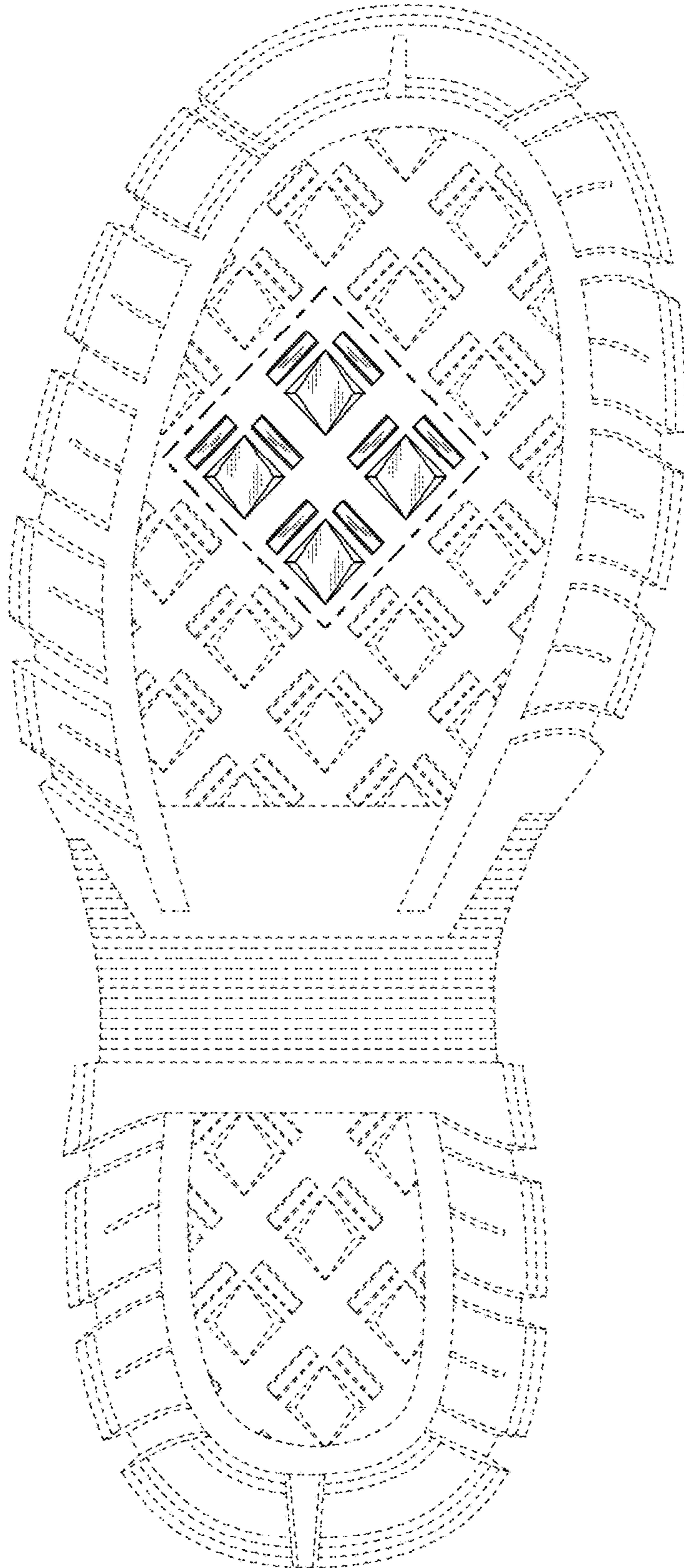


FIG. 8

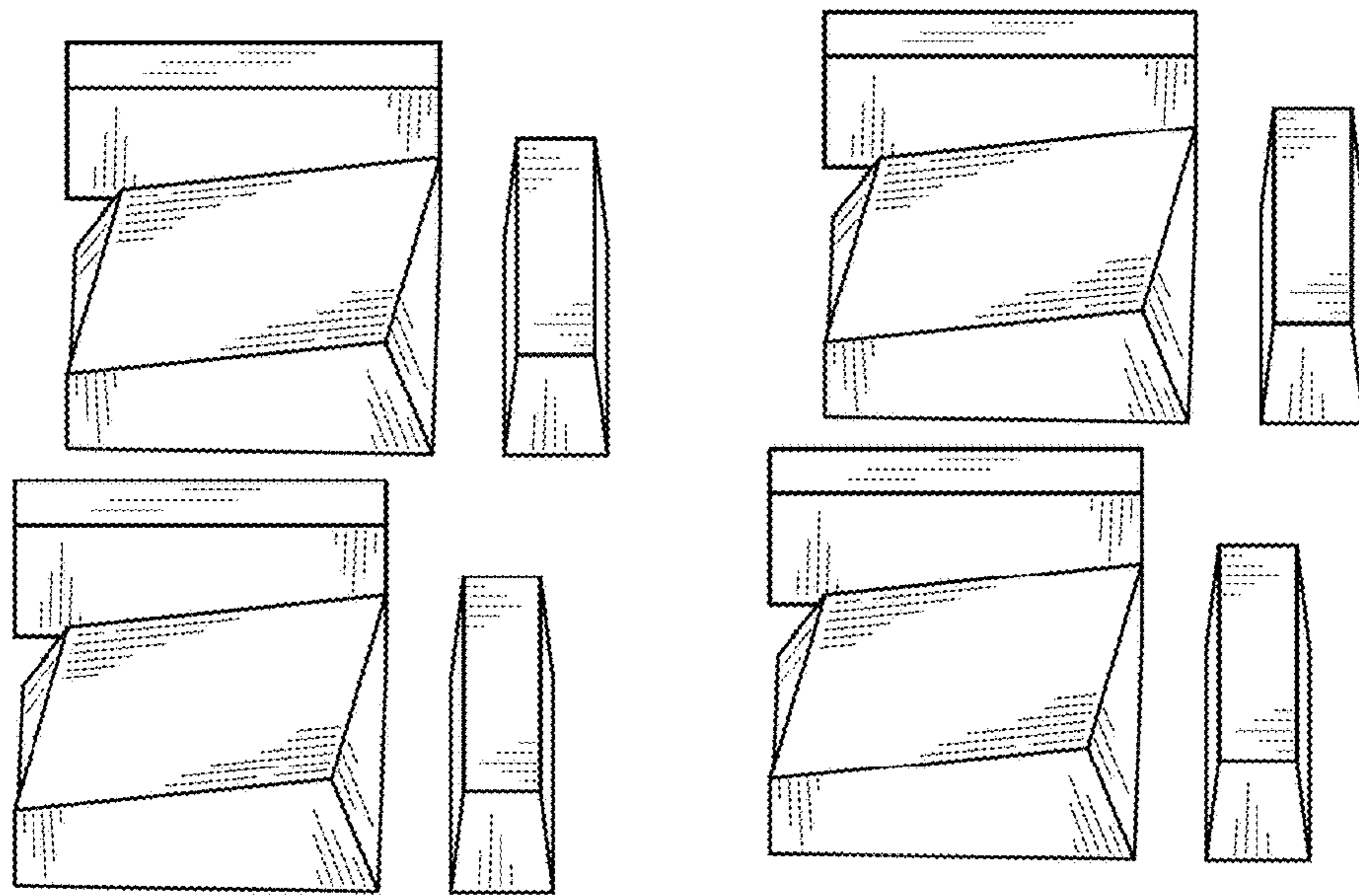


FIG. 9

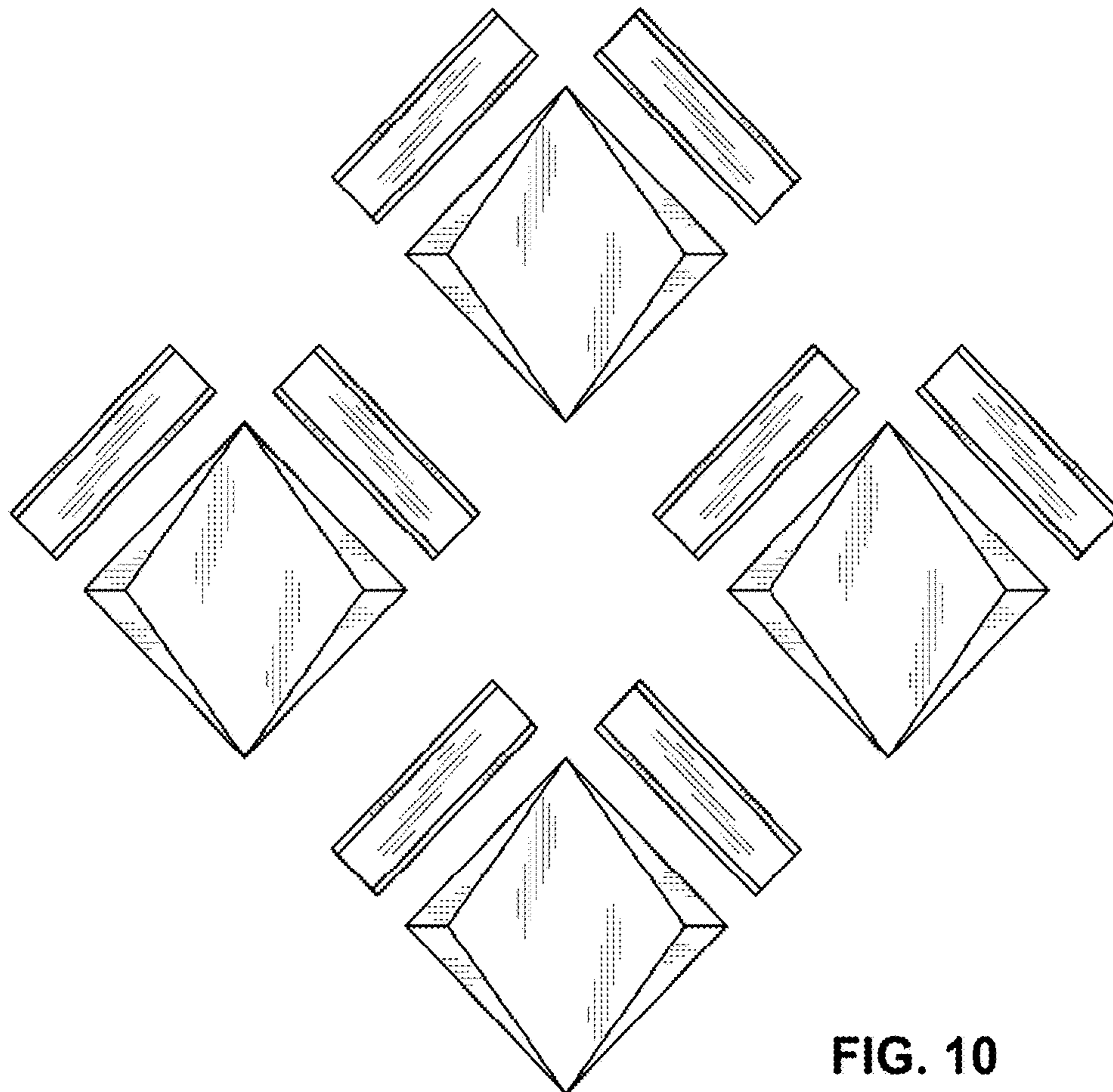


FIG. 10



FIG. 11



FIG. 12



FIG. 13



FIG. 14