



US00D803525S

(12) **United States Design Patent** (10) **Patent No.:** **US D803,525 S**
Genao (45) **Date of Patent:** **** *Nov. 28, 2017**

(54) **SHIRT STAY**
(71) Applicant: **Edwin Genao**, Wake Forest, NC (US)
(72) Inventor: **Edwin Genao**, Wake Forest, NC (US)
(*) Notice: This patent is subject to a terminal disclaimer.
(**) Term: **14 Years**
(21) Appl. No.: **29/521,182**
(22) Filed: **Mar. 20, 2015**
(51) **LOC (10) Cl.** **02-02**
(52) **U.S. Cl.**
USPC **D2/859**
(58) **Field of Classification Search**
USPC D2/624, 859, 853
CPC .. A41F 5/00; A41F 19/00; A41F 17/00; A41F 17/02; A41F 17/04
See application file for complete search history.

5,177,813 A * 1/1993 Bosack A41F 3/02
2/323
5,230,451 A * 7/1993 Onozawa A45F 3/14
2/300
D349,180 S * 8/1994 Oldham D2/624
5,437,402 A * 8/1995 Ring A47D 13/025
128/882
D383,888 S * 9/1997 Smith D2/624
D389,987 S * 2/1998 O'Byrne D2/624
6,438,805 B1 * 8/2002 Goss A47C 21/026
24/171
7,765,613 B2 * 8/2010 Carr A41D 1/205
2/104
9,750,292 B1 * 9/2017 Goldman A41F 3/00
2016/0007666 A1 * 1/2016 Pagcaliwagan A41F 17/00
2/313
2016/0295943 A1 * 10/2016 Gilroy A41F 3/02

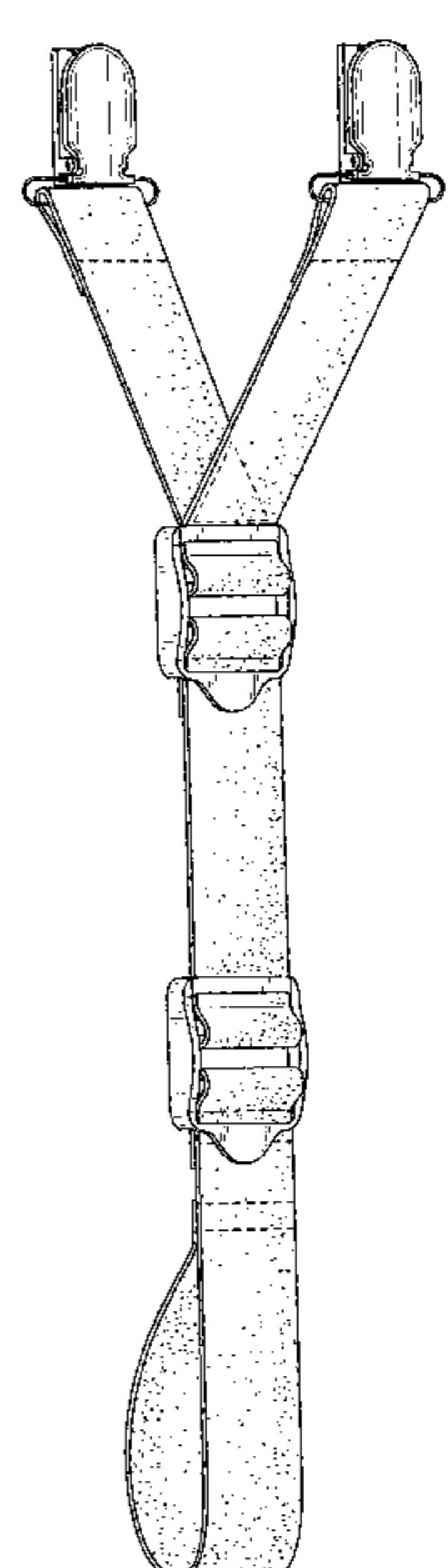
* cited by examiner
Primary Examiner — Kevin K Rudzinski
(74) *Attorney, Agent, or Firm* — Anthony Cuticchia

(57) **CLAIM**
The ornamental design for a shirt stay, as shown and described.

(56) **References Cited**
U.S. PATENT DOCUMENTS
202,394 A * 4/1878 Armstrong A44B 11/008
24/302
863,970 A * 8/1907 Ebersole A41F 3/00
2/326
949,827 A * 2/1910 Kurtz A41D 1/10
2/233
1,404,719 A * 1/1922 Postl A41F 11/02
2/326
1,653,288 A * 12/1927 Johnson A41F 17/00
2/326
2,608,692 A * 9/1952 Berg A41F 11/02
2/304
3,164,845 A * 1/1965 Fowler A41F 5/00
2/117

DESCRIPTION
FIG. 1 is a front perspective view of the shirt stay showing the present invention;
FIG. 2 is a front elevation view thereof;
FIG. 3 is a rear elevation view thereof;
FIG. 4 is a right side elevation view thereof;
FIG. 5 is a left side elevation view thereof;
FIG. 6 is a top plan view thereof; and,
FIG. 7 is a bottom plan view thereof.
The broken lines show stitching that forms part of the claimed design.
The manner of design is for a strap which attached to socks and shirt will allow user to keep the shirt taut.

1 Claim, 5 Drawing Sheets



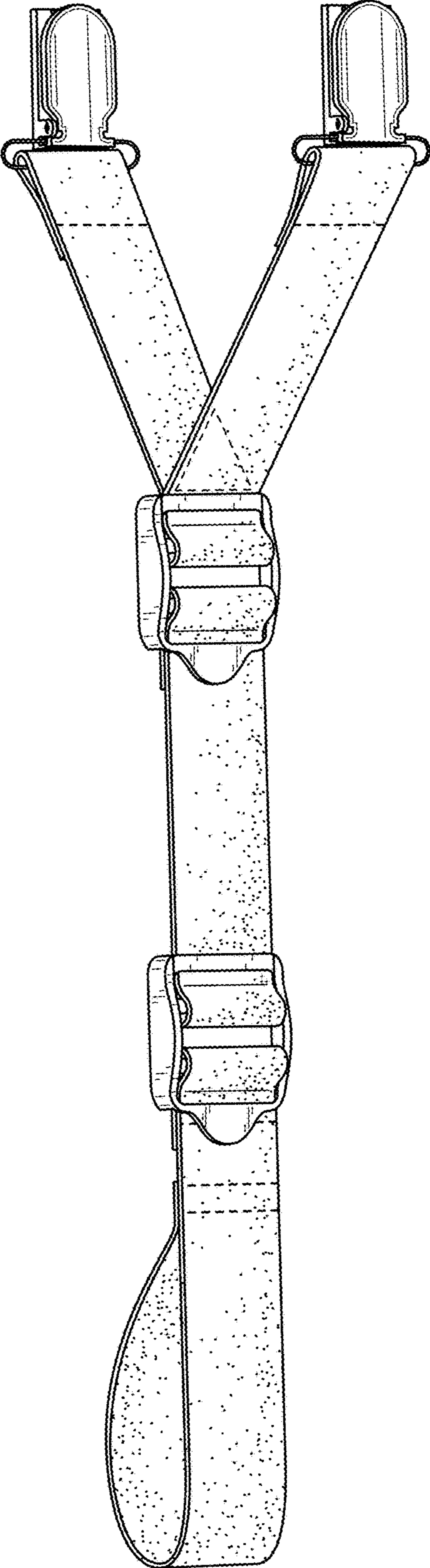


FIG. 1

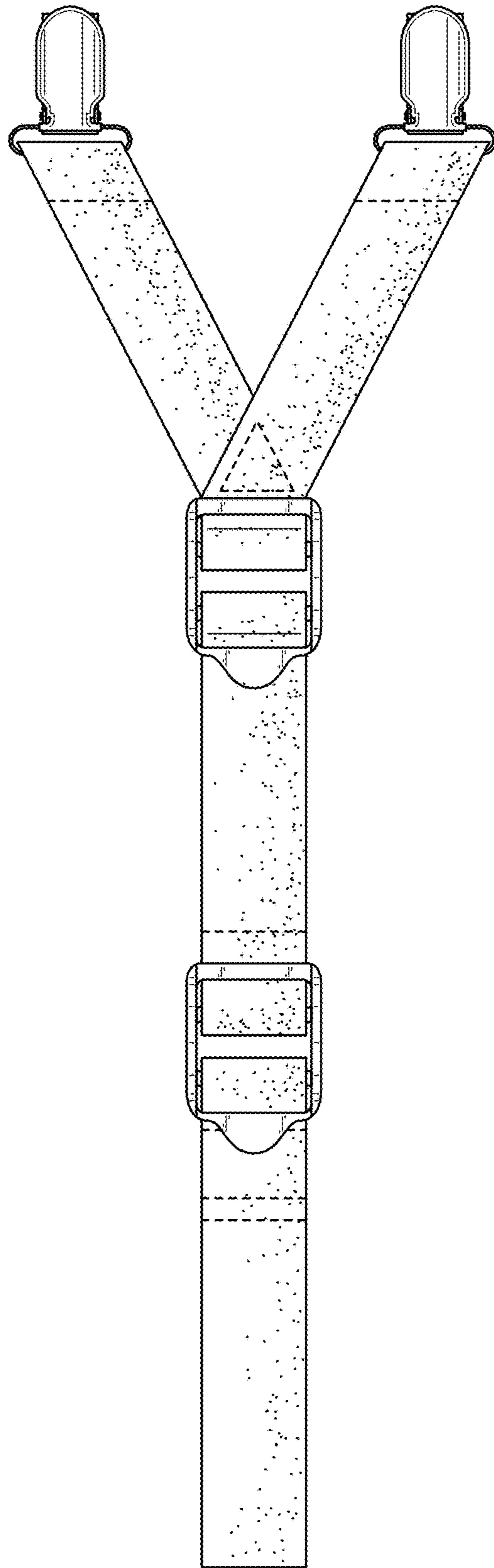


FIG. 2

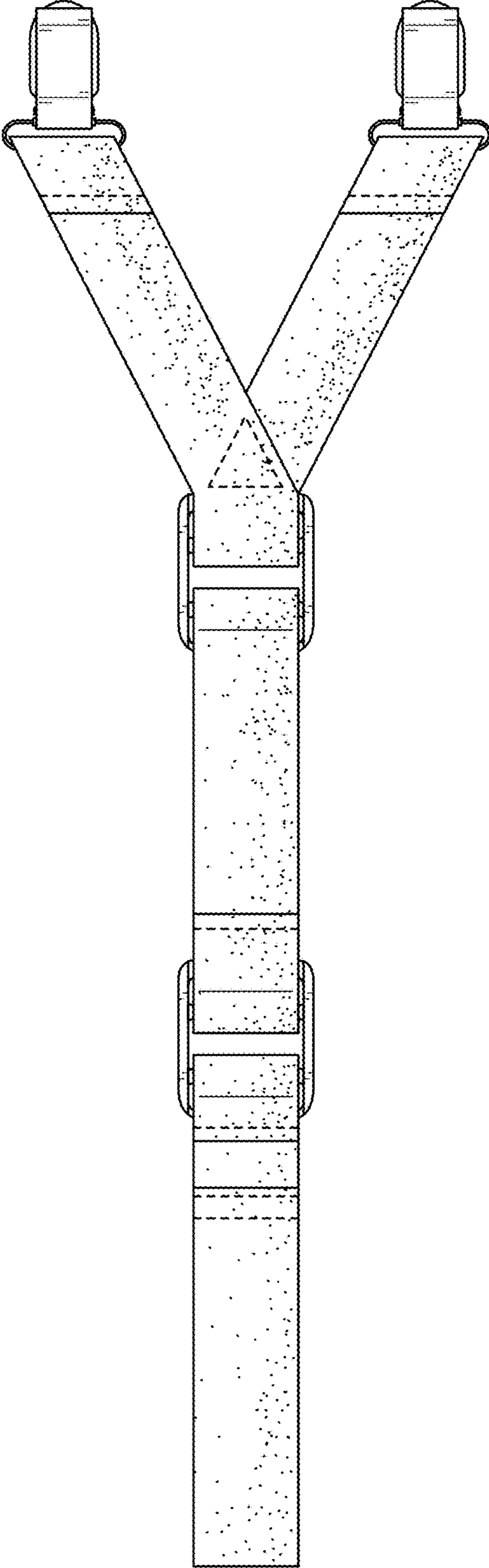


FIG. 3

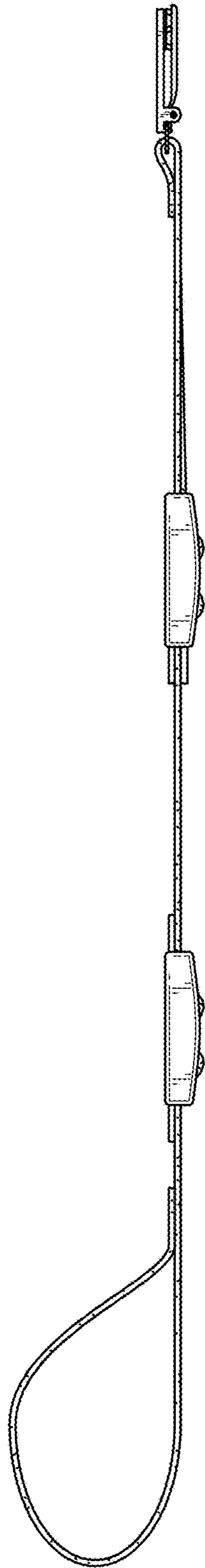


FIG. 4

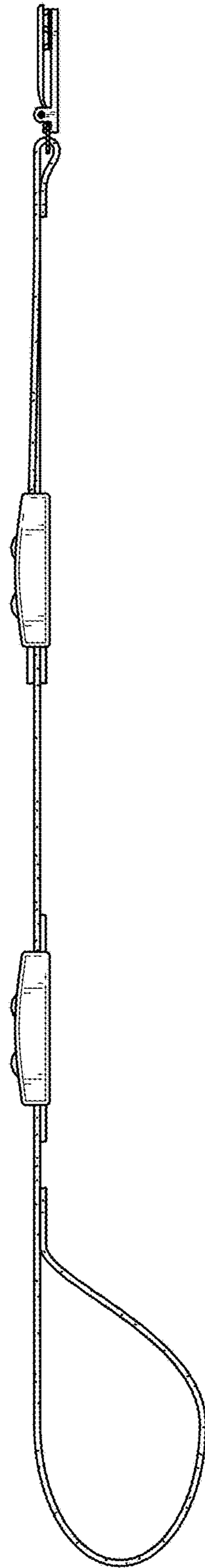


FIG. 5

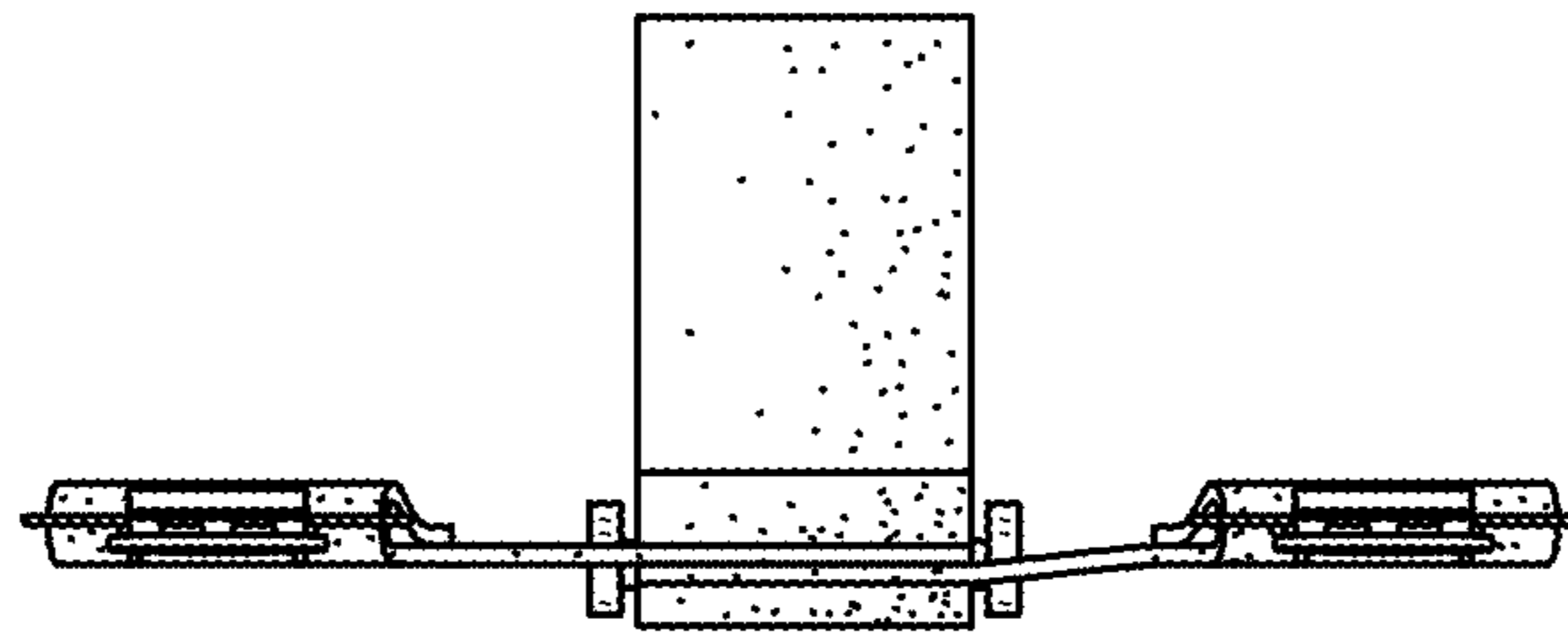


FIG. 6

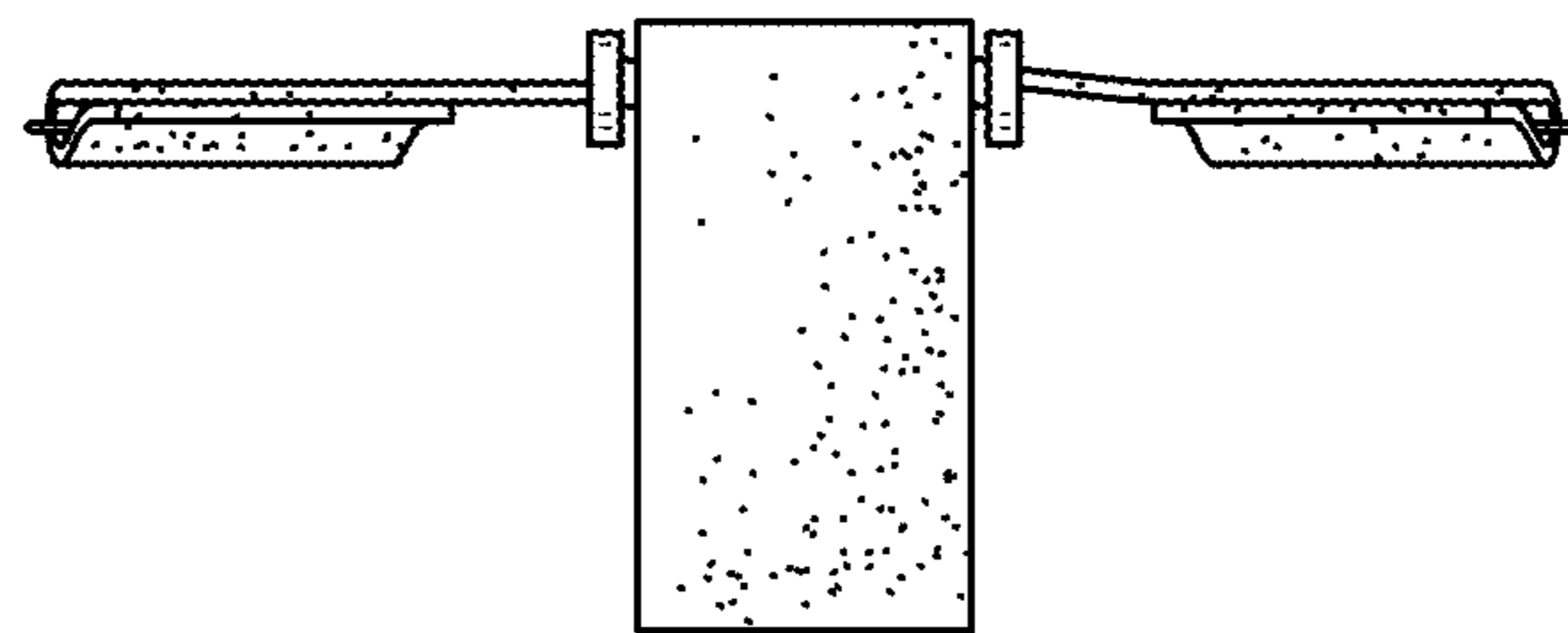


FIG. 7