



US00D803519S

(12) **United States Design Patent** (10) **Patent No.:** **US D803,519 S**
Hedin (45) **Date of Patent:** **** *Nov. 28, 2017**

(54) **GARMENT**

(71) Applicant: **Mary Hedin**, Milton, MA (US)

(72) Inventor: **Mary Hedin**, Milton, MA (US)

(*) Notice: This patent is subject to a terminal disclaimer.

(**) Term: **15 Years**

(21) Appl. No.: **29/538,985**

(22) Filed: **Sep. 10, 2015**

(51) **LOC (10) Cl.** **02-02**

(52) **U.S. Cl.**

USPC **D2/724**

(58) **Field of Classification Search**

USPC D2/700, 717-720, 724-727, 828, 838, D2/839, 847-849

CPC . A41D 1/02; A41D 1/20; A41D 1/205; A41D 3/00; A41D 3/005; A41D 3/02; A41D 3/04; A41D 10/00

See application file for complete search history.

(56) **References Cited**

U.S. PATENT DOCUMENTS

3,950,789	A	4/1976	Konz et al.	
4,009,808	A	3/1977	Sharp	
4,864,657	A *	9/1989	Lake	A41D 13/1236 2/114
5,133,348	A	7/1992	Mayn	
5,201,365	A	4/1993	Siegel	
5,305,471	A	4/1994	Steele et al.	
5,492,256	A	2/1996	Ive	
5,787,505	A	8/1998	Piwko et al.	
6,470,705	B2	10/2002	Bride-Flynn	
D600,888	S *	9/2009	Sky	D2/739
D608,078	S *	1/2010	Tranto	D2/837
D613,929	S *	4/2010	Casey	D2/839
D659,950	S *	5/2012	Kinder	D2/739
D679,889	S *	4/2013	Kinder	D2/739
8,783,530	B1	7/2014	Jordan	

D721,870	S *	2/2015	Levine	D2/720
D741,569	S *	10/2015	Fredrickson	D2/720
D752,318	S *	3/2016	Powell	D2/720
2005/0262614	A1 *	12/2005	Eisenberg	A41D 13/1245 2/114

(Continued)

FOREIGN PATENT DOCUMENTS

CN 202345834 7/2012

OTHER PUBLICATIONS

Kimono Robe, posted at oempromo.com, earliest date available Jun. 9, 2012, [online], acquired on Jun. 6, 2016. Available from Internet, <URL: http://www.oempromo.com/Apparel-and-Beauty/Robes/index_2.htm>.*

(Continued)

Primary Examiner — Cathron Brooks

Assistant Examiner — Aula Soroush

(74) *Attorney, Agent, or Firm* — Gary E. Lambert; David J. Connaughton, Jr.; Lambert & Associates

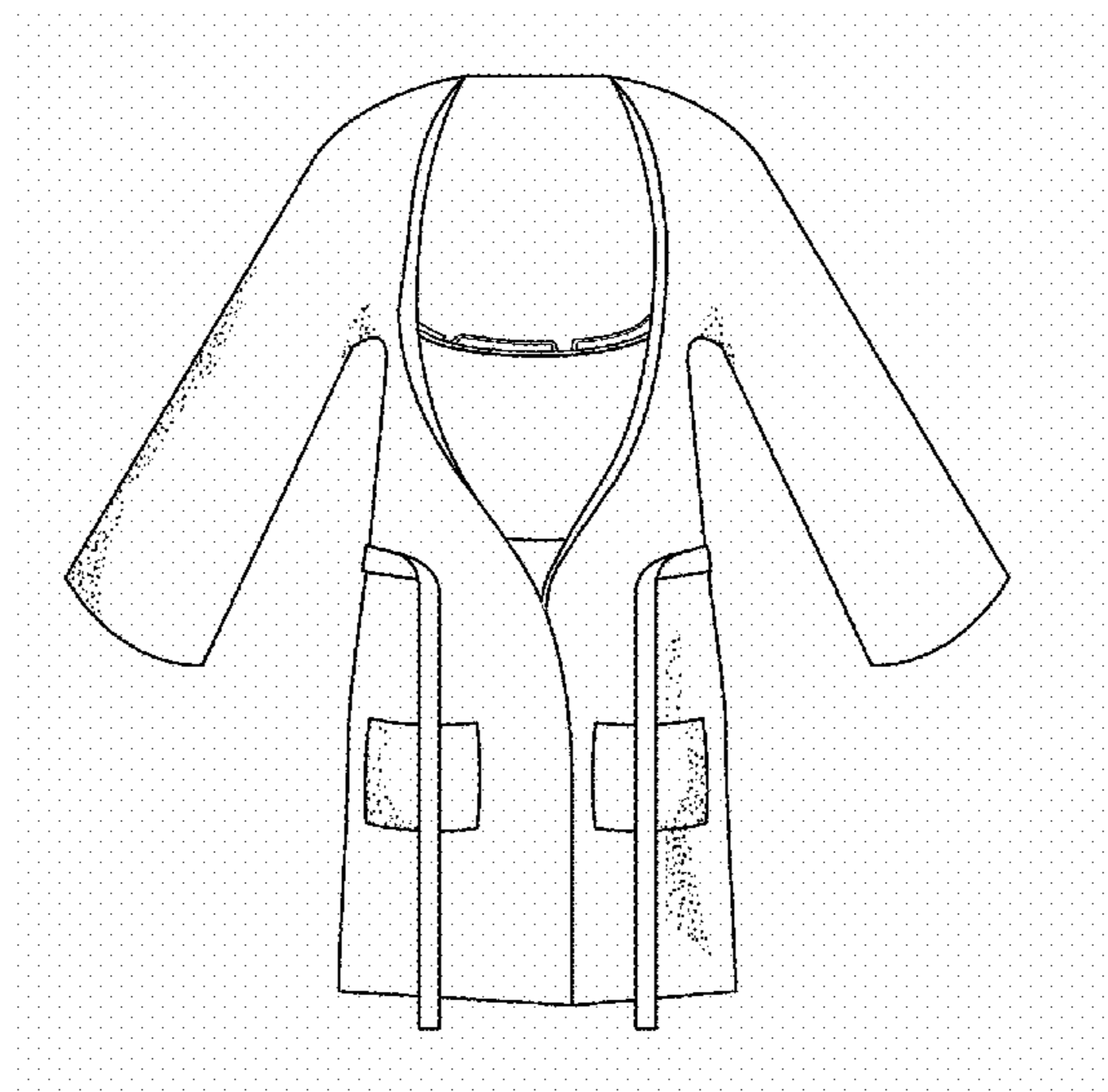
(57) **CLAIM**

The ornamental design for a garment, as shown and described.

DESCRIPTION

FIG. 1 is a front view of a garment, showing my new design; FIG. 2 is another front elevation view thereof; FIG. 3 is a back elevation view thereof; FIG. 4 is a right side elevation view thereof; FIG. 5 is a left side elevation view thereof; FIG. 6 is a top plan view thereof; FIG. 7 is a bottom plan view thereof; and, FIG. 8 is another front view of a garment shown in use. The broken lines showing human figures in FIG. 9 illustrate environmental subject matter only and forms no part of the claimed design.

1 Claim, 3 Drawing Sheets



(56)

References Cited

U.S. PATENT DOCUMENTS

2012/0071955 A1 3/2012 Yockel
2013/0131764 A1 5/2013 Grove
2014/0097215 A1 4/2014 Caperon

OTHER PUBLICATIONS

P-Jamas Butterknits Long Wrap Robe 355660, posted at herroom.com, earliest date available Jun. 14, 2008, [online], acquired on Jun. 6, 2016. Available from Internet, <URL: <http://www.herroom.com/P-Jamas-355660-Butterknits-Long-Wrap-Robe.shtml>>.*

* cited by examiner

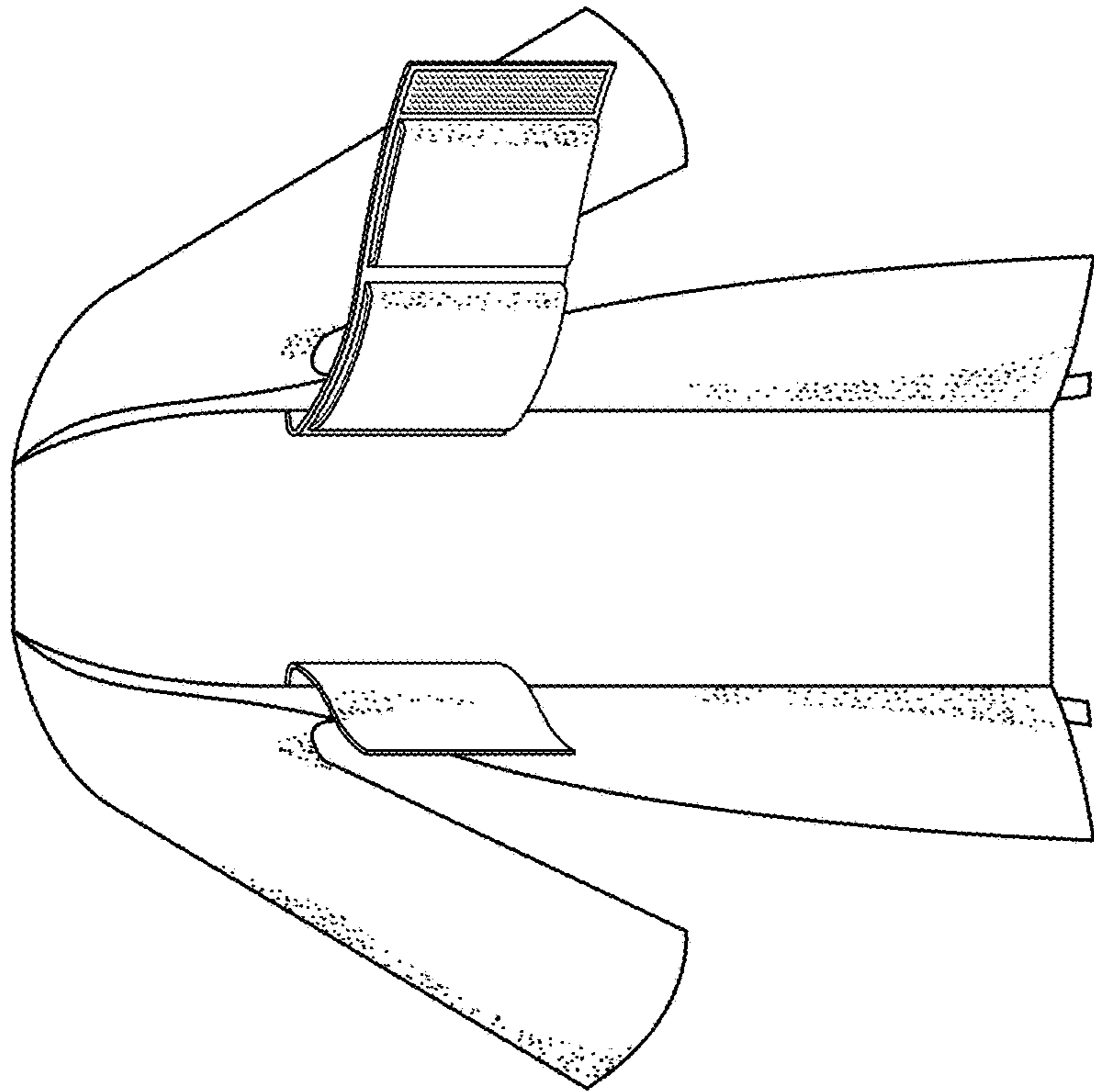


Fig. 2

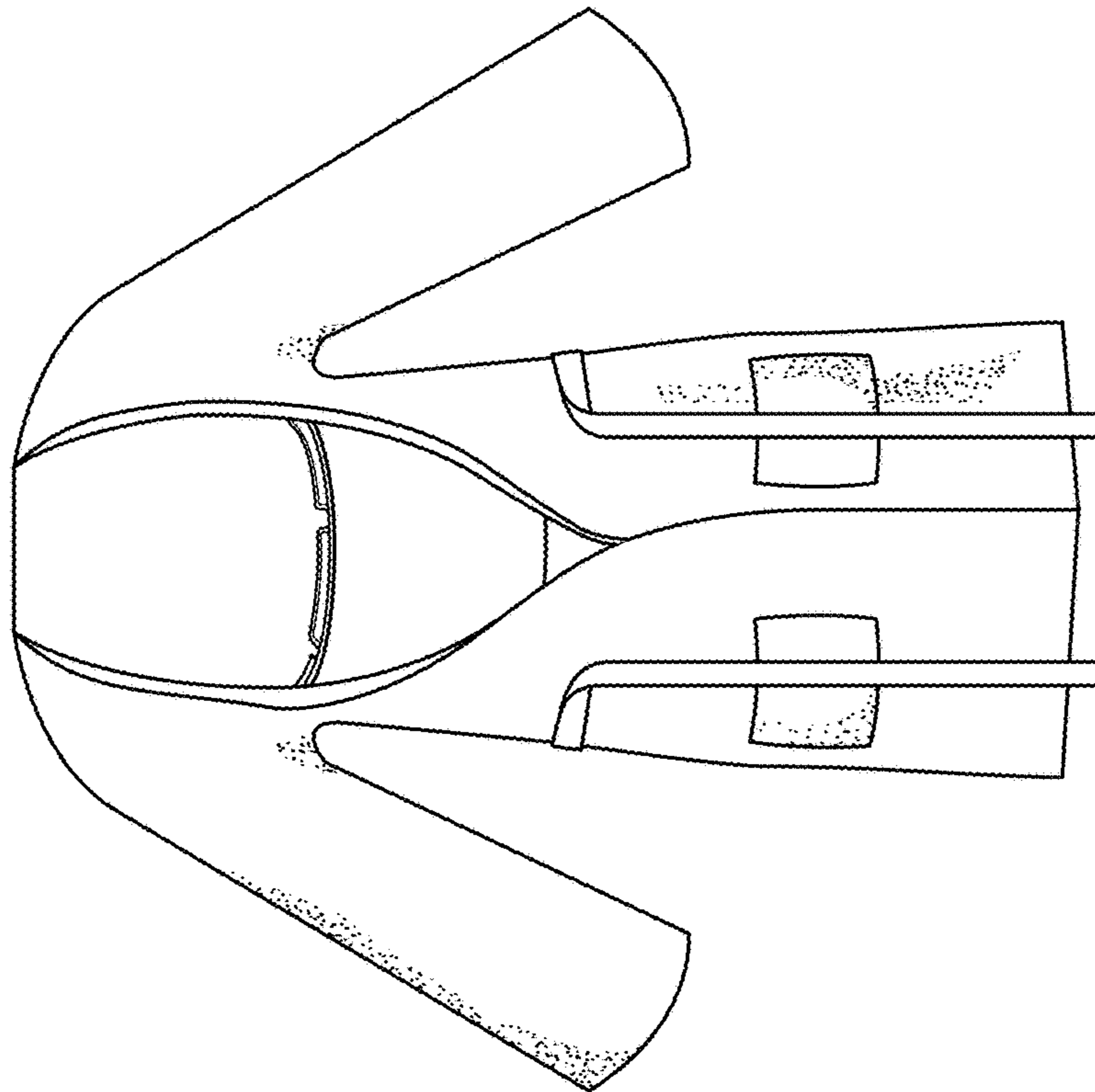


Fig. 1

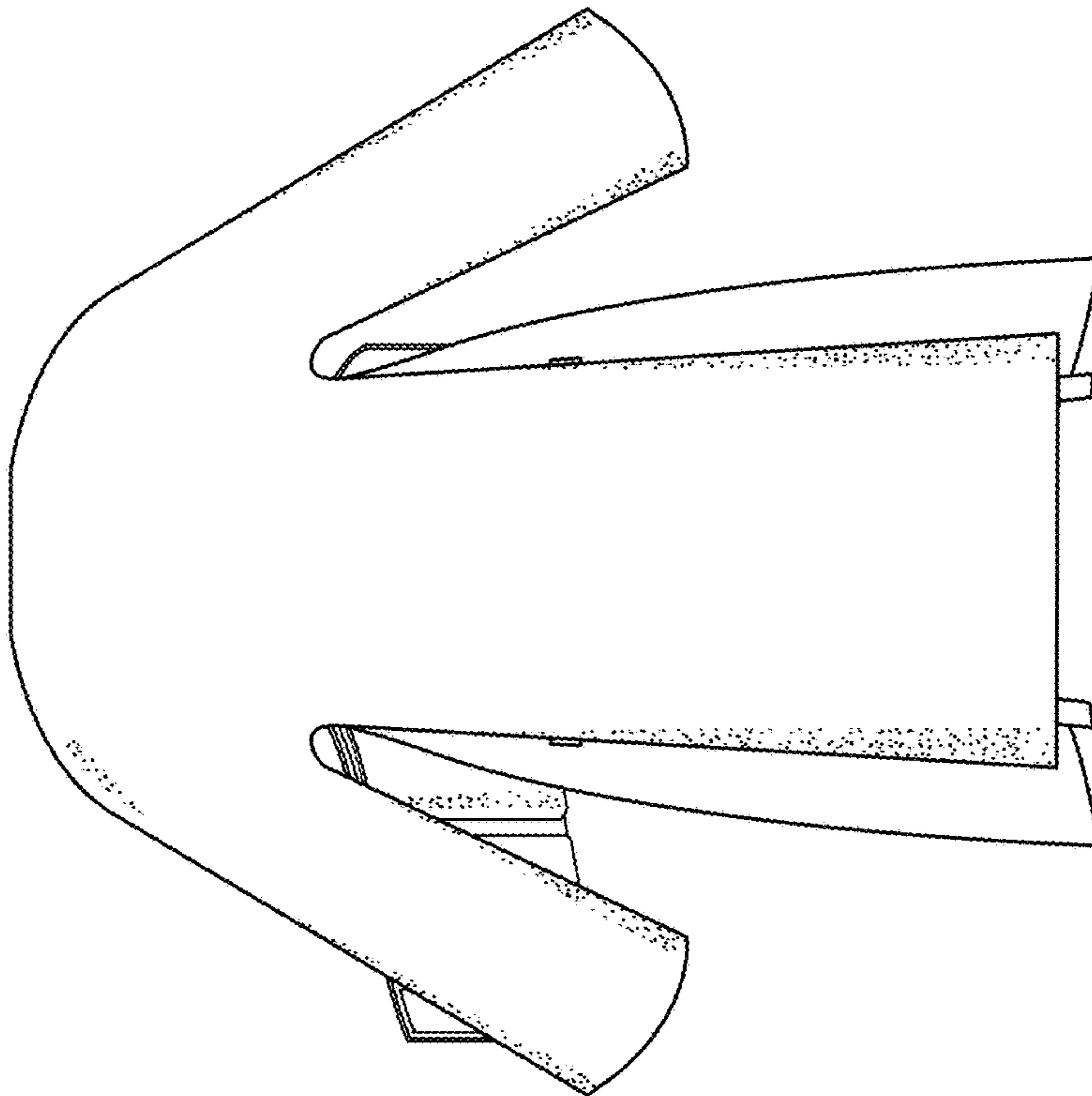


Fig. 3

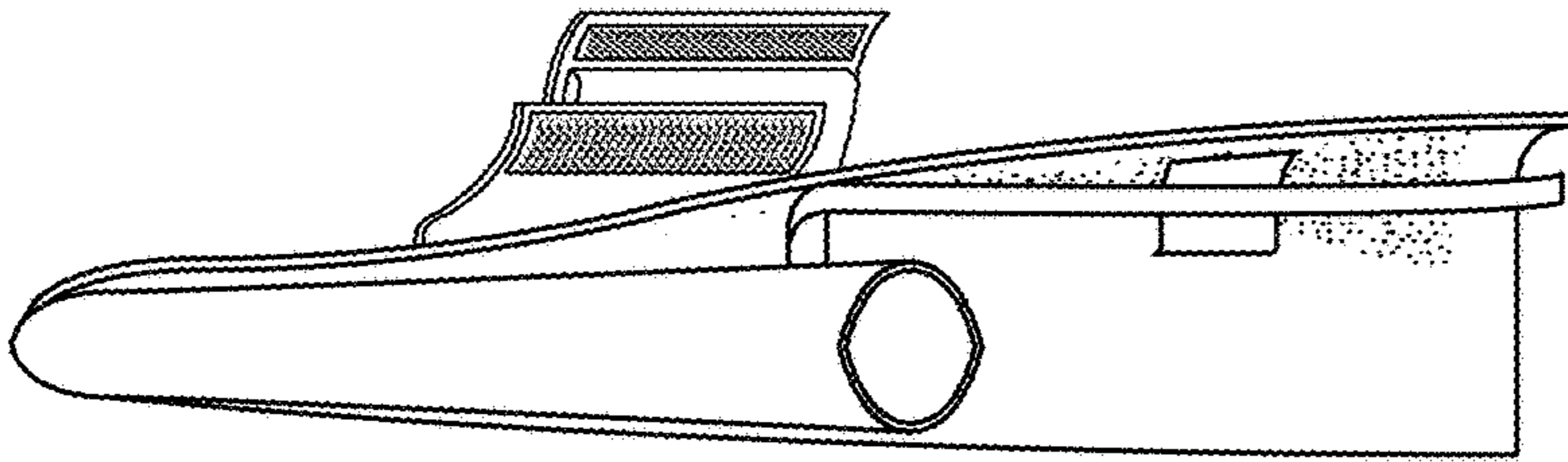


Fig. 4

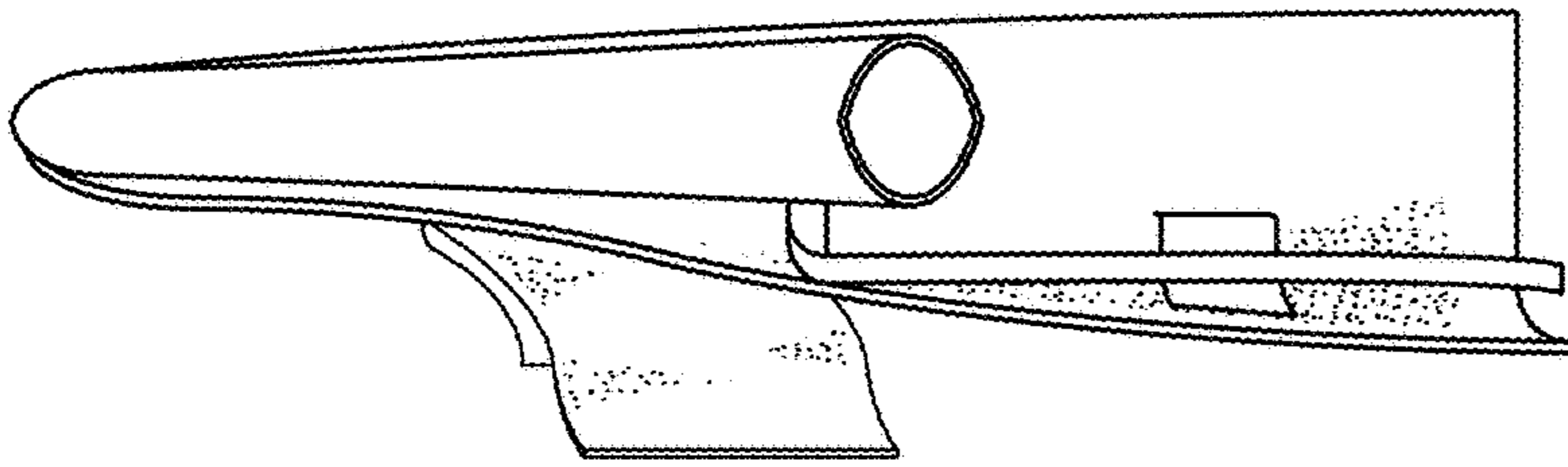


Fig. 5

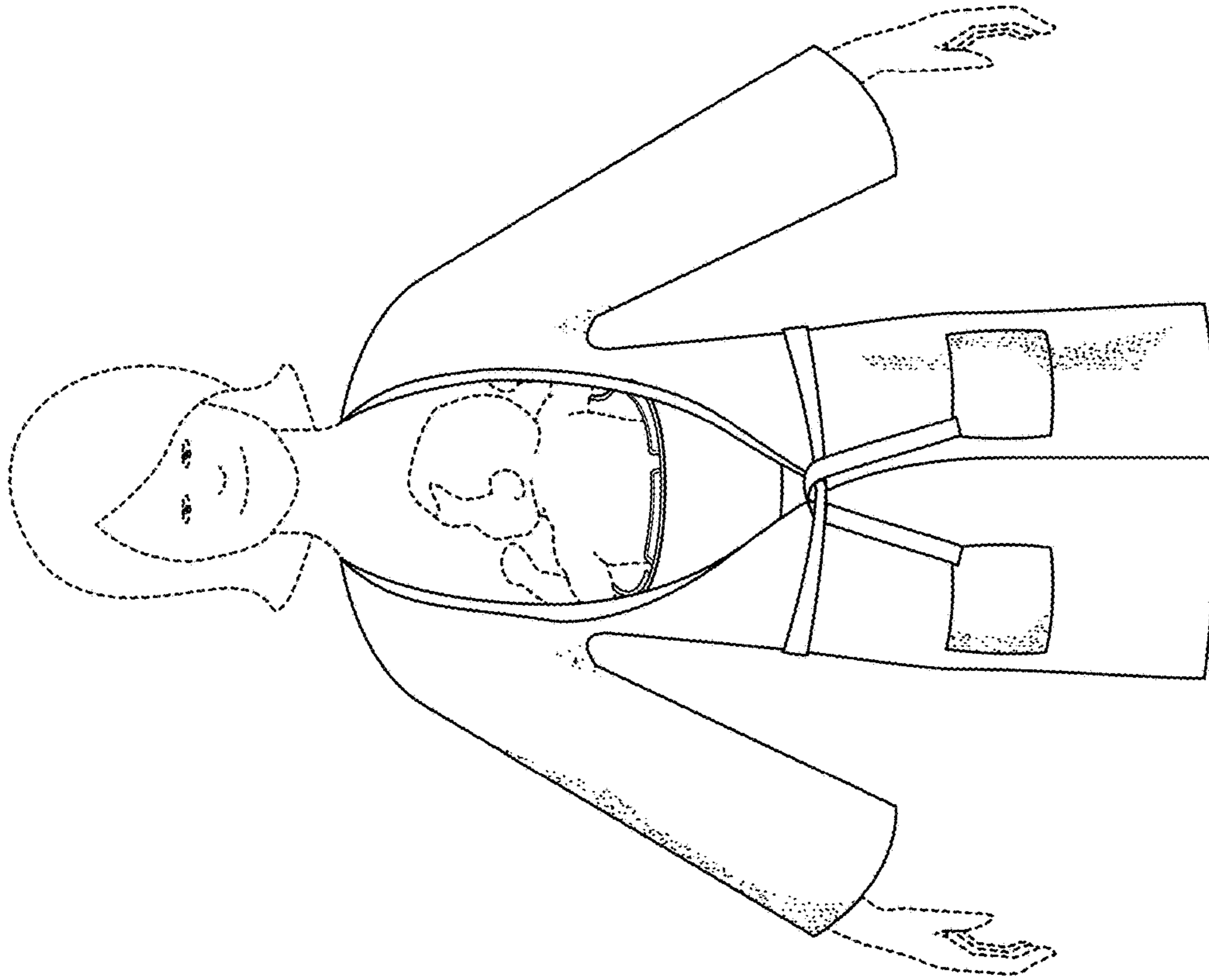


Fig. 8

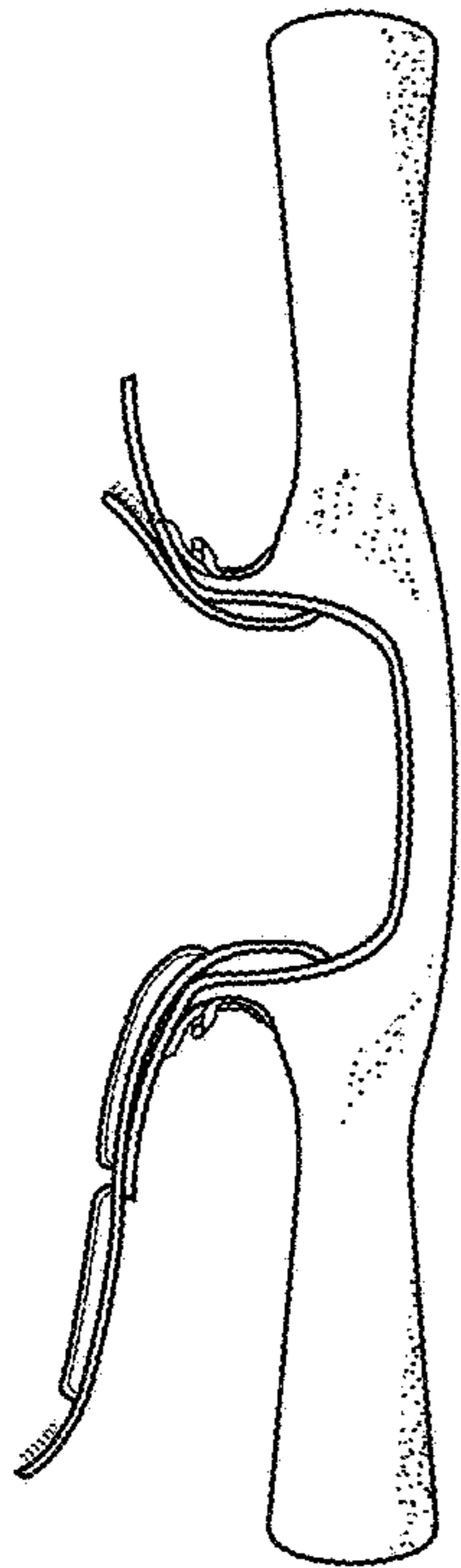


Fig. 6

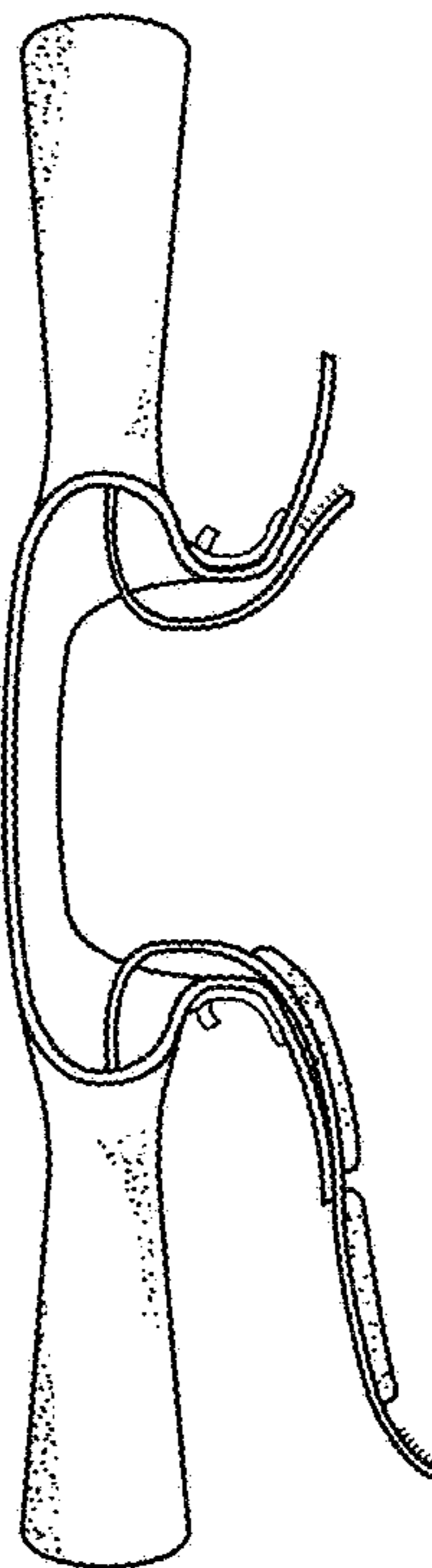


Fig. 7