



US00D803510S

(12) **United States Design Patent** (10) **Patent No.:** **US D803,510 S**  
**Heath** (45) **Date of Patent:** **\*\* Nov. 28, 2017**

(54) **FOOD PRODUCT**

(71) Applicant: **Mars, Incorporated**, McLean, VA (US)

(72) Inventor: **Guy Heath**, Batley (GB)

(73) Assignee: **Mars, Incorporated**, McLean, VA (US)

(\*\*) Term: **15 Years**

(21) Appl. No.: **29/587,417**

(22) Filed: **Dec. 13, 2016**

(51) **LOC (10) Cl.** ..... **01-01**

(52) **U.S. Cl.**  
USPC ..... **D1/125**

(58) **Field of Classification Search**  
USPC ..... D1/100–130, 199; 426/104, 108, 138,  
426/391, 549, 808, 94, 143, 559, 560;  
D11/40, 43, 79; D24/101–104; 446/118,  
446/128; D21/484, 499, 503, 756;  
D14/212, 218; D23/393, 422; D30/160;  
D25/119, 122; D8/354, 382; D26/138;  
D15/138; 52/254, 843  
CPC ..... A21D 13/0029; A21D 13/0074; A21D  
13/0022; A21D 13/0006; A23L 1/1641;  
A23L 1/005

See application file for complete search history.

(56) **References Cited**

U.S. PATENT DOCUMENTS

- 2,263,212 A \* 11/1941 Irwin ..... F27D 5/0018  
432/259
- 4,508,301 A \* 4/1985 Nicholson ..... A47B 96/065  
108/152
- D319,509 S \* 8/1991 Ogilvie ..... D20/41
- D328,140 S \* 7/1992 Ahlstrom ..... D25/120
- D379,705 S \* 6/1997 Delmerico ..... D25/122

(Continued)

*Primary Examiner* — Garth Rademaker

*Assistant Examiner* — Katie Stofko

(74) *Attorney, Agent, or Firm* — Greenberg Traurig, LLP

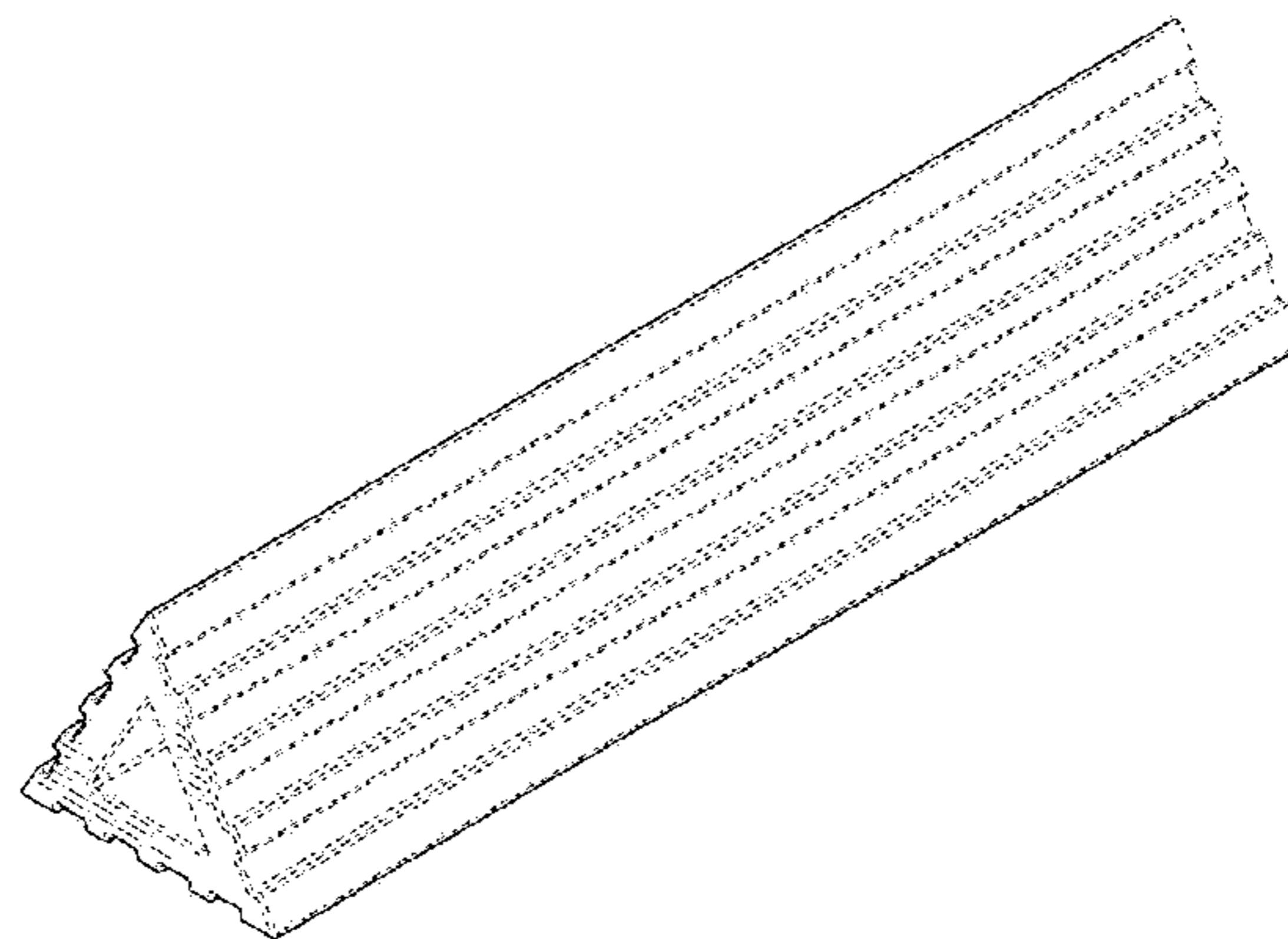
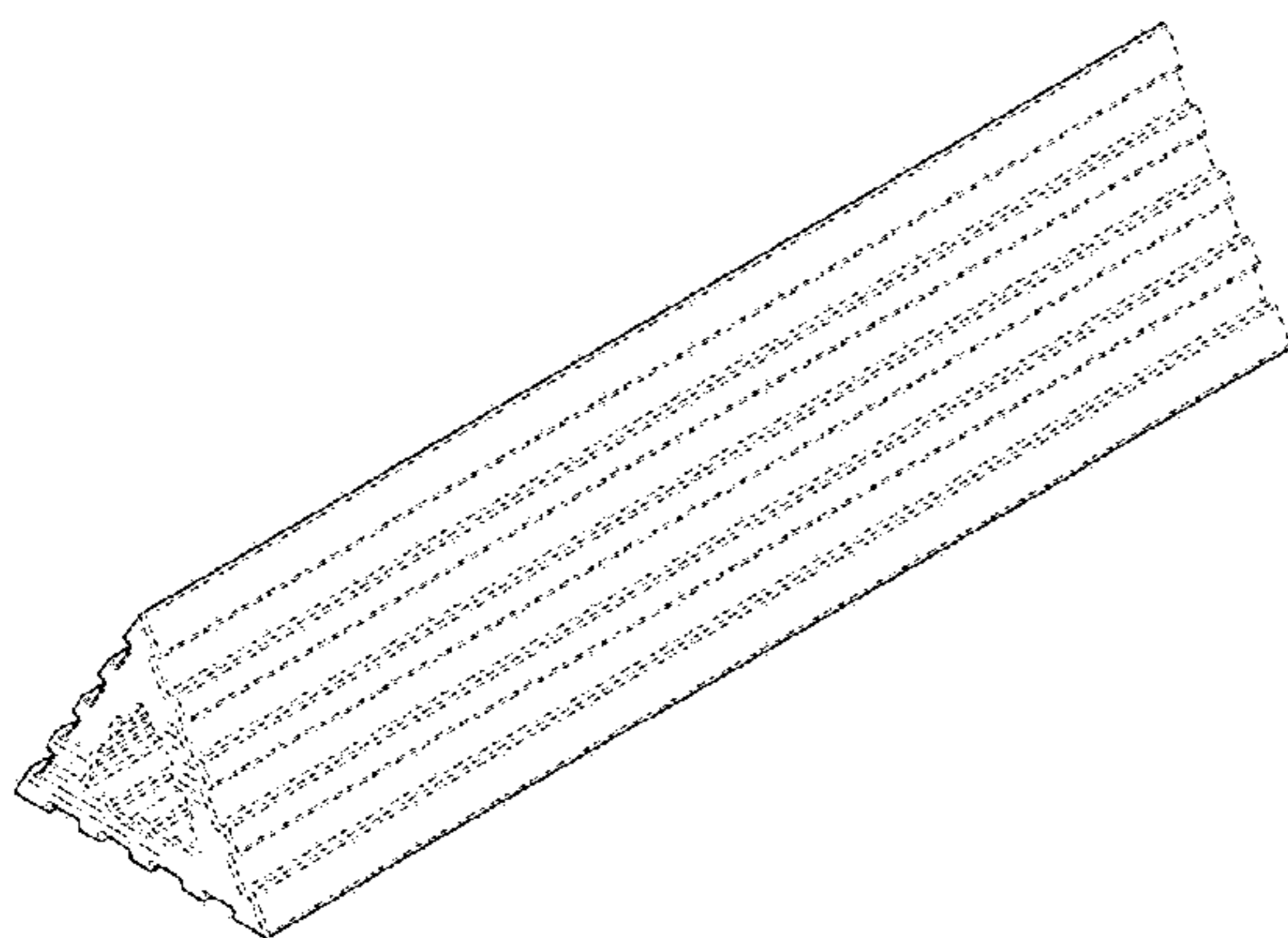
(57) **CLAIM**

The ornamental design for a food product, as shown and described.

**DESCRIPTION**

FIG. 1 is a front right perspective view of a first embodiment of a food product showing our new design;  
 FIG. 2 is a front elevation view of the first embodiment of the food product shown in FIG. 1;  
 FIG. 3 is a rear elevation view of the first embodiment of the food product shown in FIG. 1;  
 FIG. 4 is a right side elevation view of the first embodiment of the food product shown in FIG. 1;  
 FIG. 5 is a left side elevation view of the first embodiment of the food product shown in FIG. 1;  
 FIG. 6 is a top plan view of the first embodiment of the food product shown in FIG. 1;  
 FIG. 7 is a bottom plan view of the first embodiment of the food product shown in FIG. 1;  
 FIG. 8 is a front right perspective view of a second embodiment of a food product showing our new design;  
 FIG. 9 is a front elevation view of the second embodiment of the food product shown in FIG. 8;  
 FIG. 10 is a rear elevation view of the second embodiment of the food product shown in FIG. 8;  
 FIG. 11 is a right side elevation view of the second embodiment of the food product shown in FIG. 8;  
 FIG. 12 is a left side elevation view of the second embodiment of the food product shown in FIG. 8;  
 FIG. 13 is a top plan view of the second embodiment of the food product shown in FIG. 8; and,  
 FIG. 14 is a bottom plan view of the second embodiment of the food product shown in FIG. 8.  
 The broken lines are included to show features that form no part of the claimed design.

**1 Claim, 6 Drawing Sheets**



(56)

**References Cited**

U.S. PATENT DOCUMENTS

5,809,734 A \* 9/1998 Turner ..... E04C 3/36  
182/134  
D503,645 S \* 4/2005 Wirth ..... D10/114.9  
7,383,670 B1 \* 6/2008 Meyers ..... E04F 13/081  
156/71  
D585,177 S \* 1/2009 Wylie ..... D1/125  
D587,421 S \* 2/2009 Liao ..... D25/119  
D641,948 S \* 7/2011 Bruyca ..... D1/127  
D673,402 S \* 1/2013 Kuzyk ..... D6/703  
D686,057 S \* 7/2013 Castellano ..... D8/349

\* cited by examiner

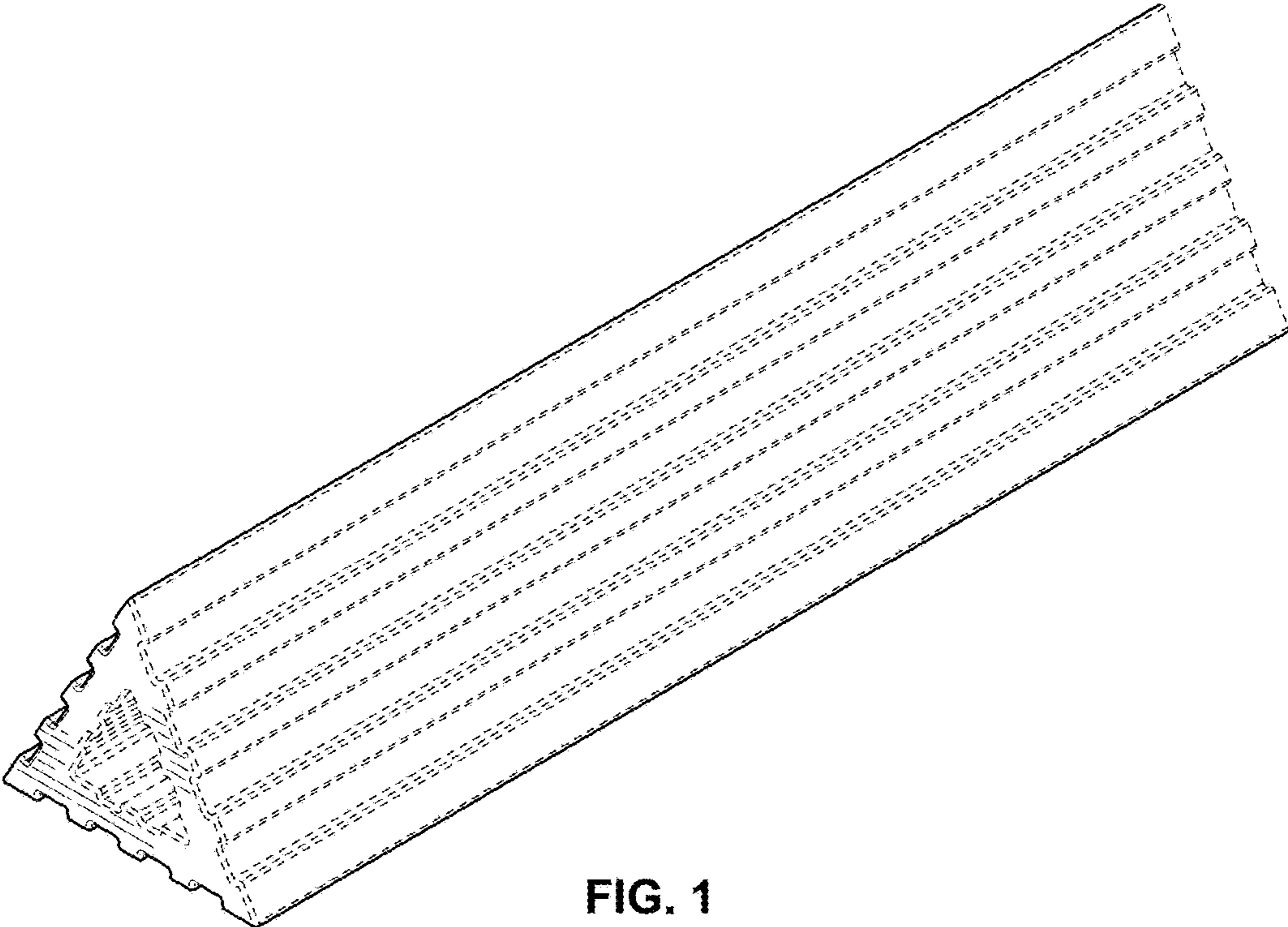


FIG. 1

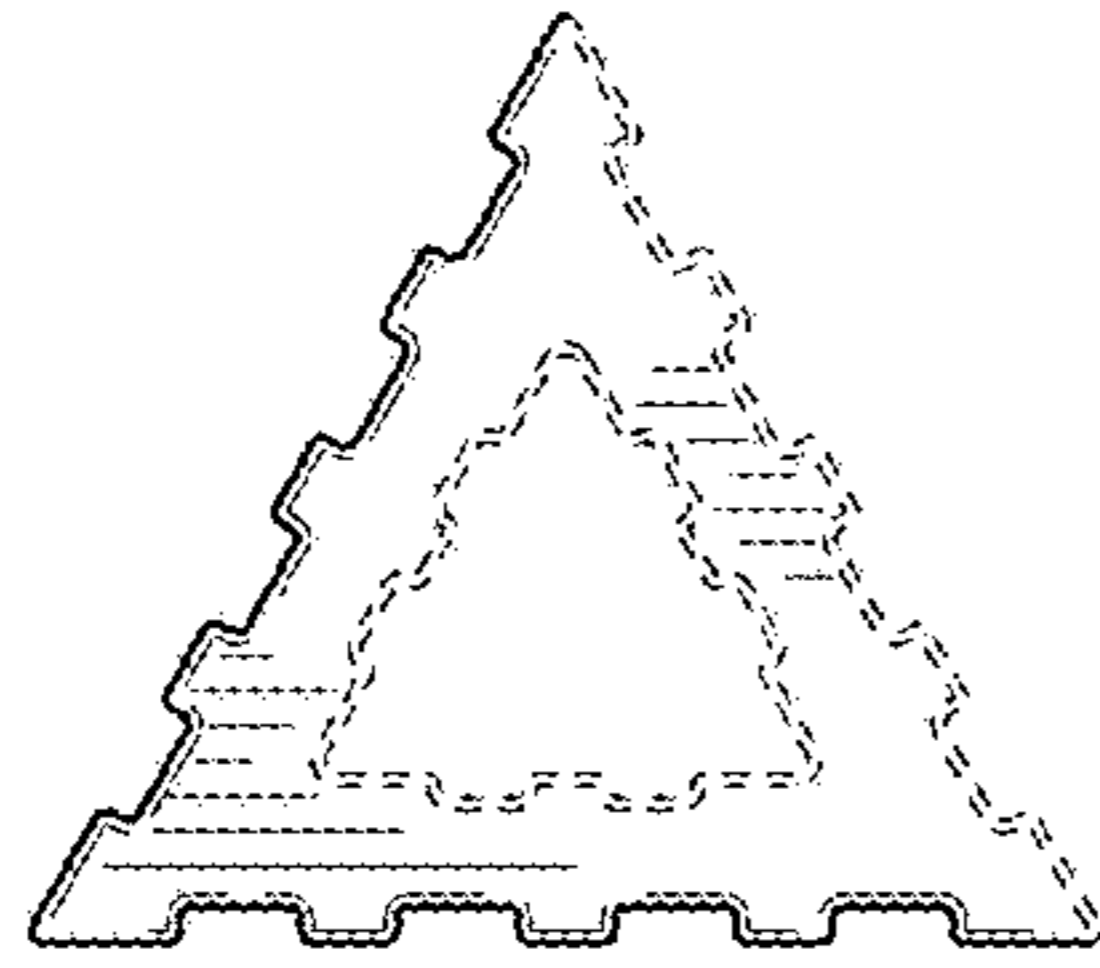


FIG. 2

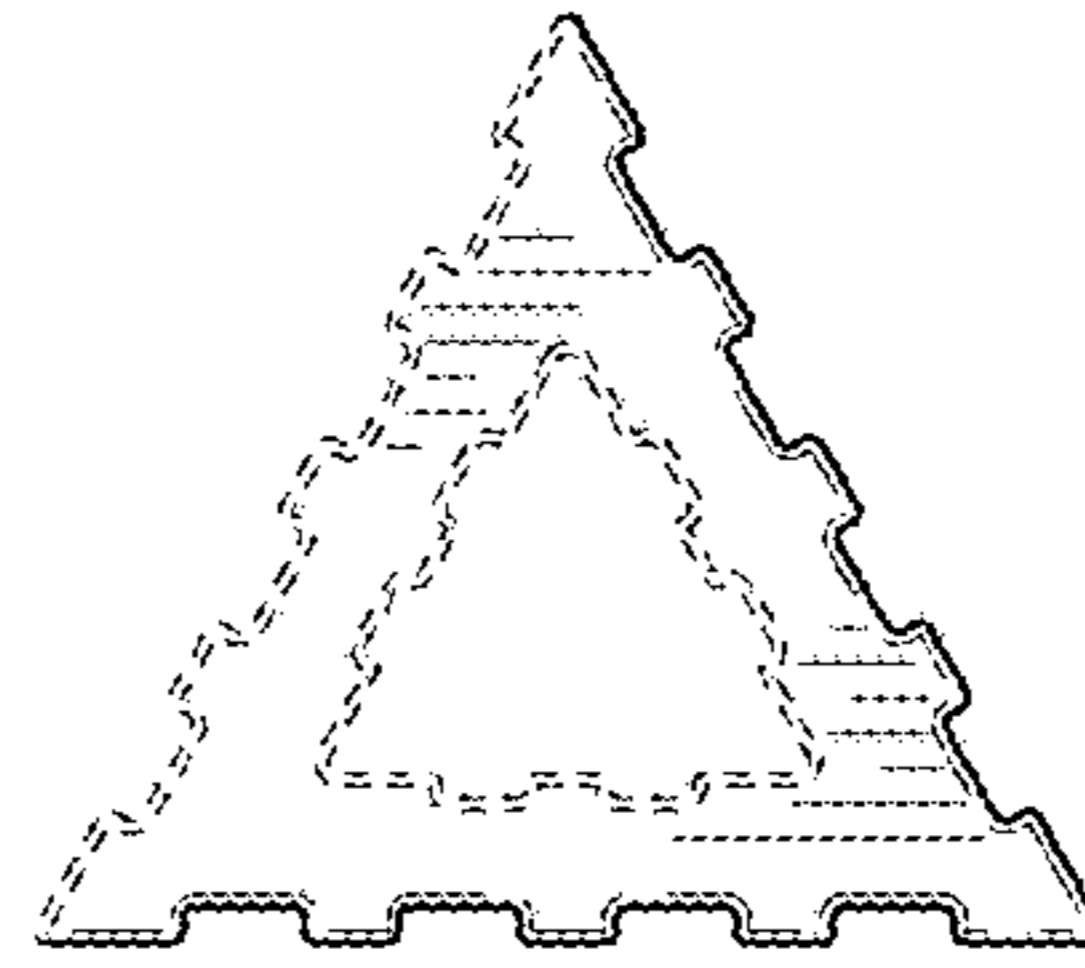


FIG. 3

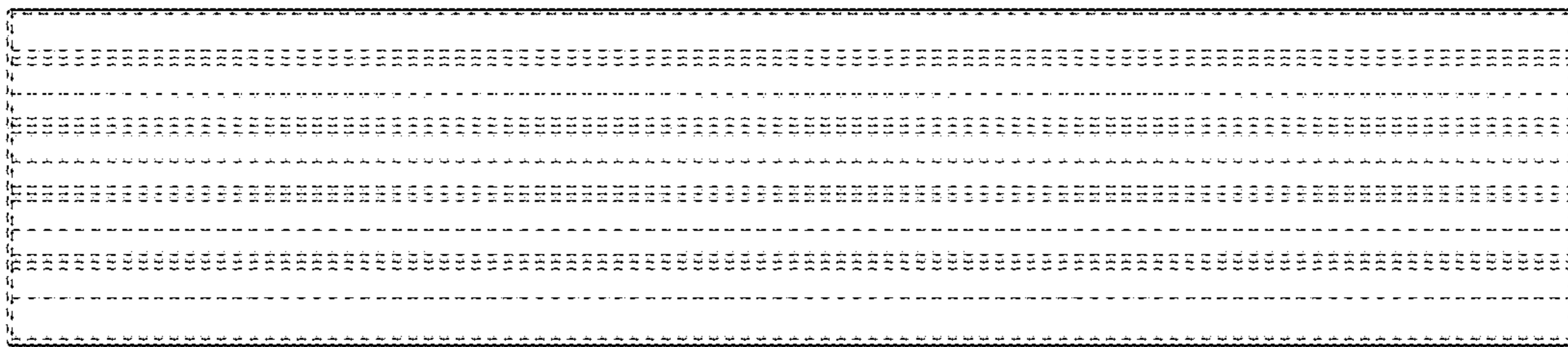


FIG. 4

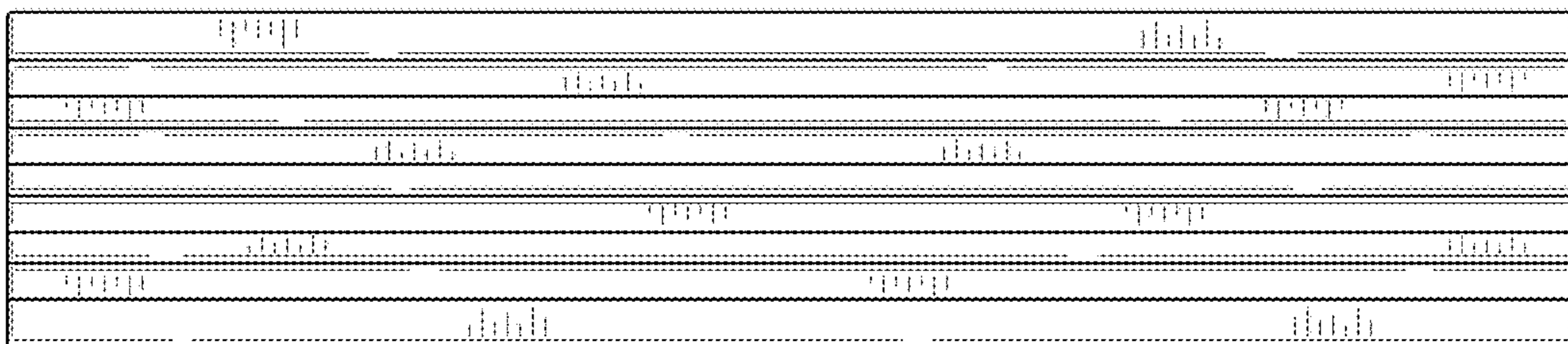


FIG. 5



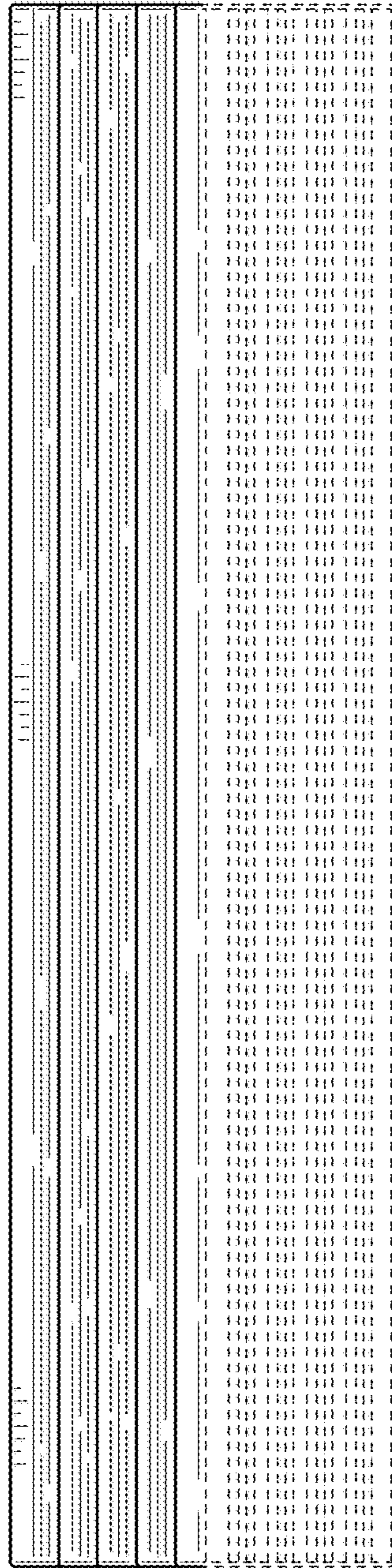


FIG. 6

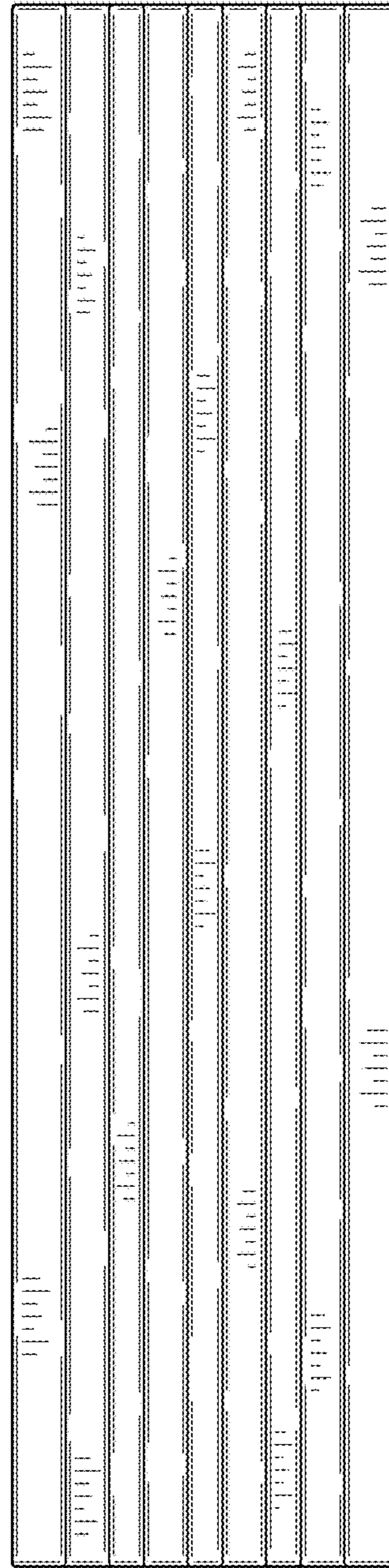


FIG. 7

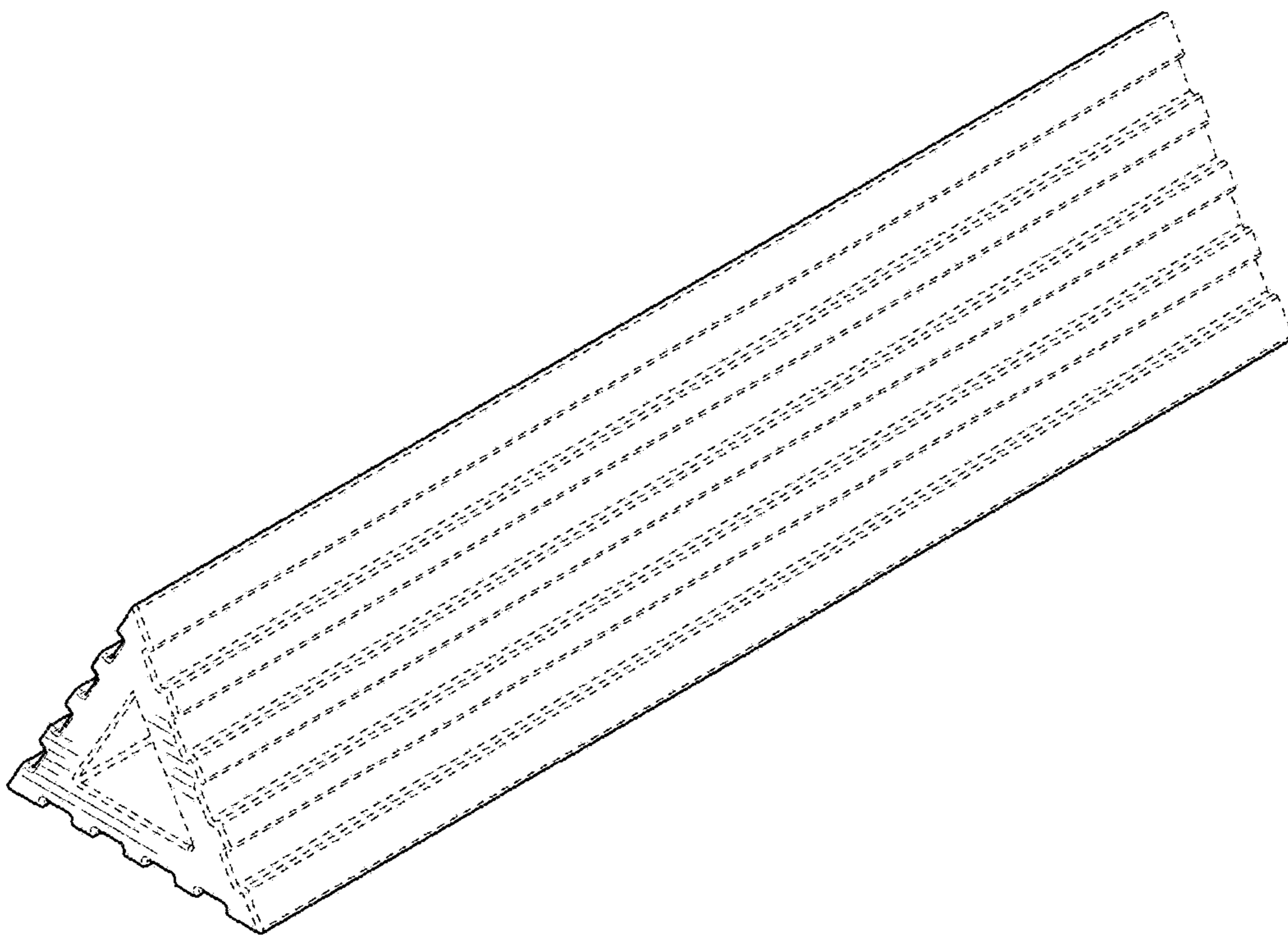


FIG. 8

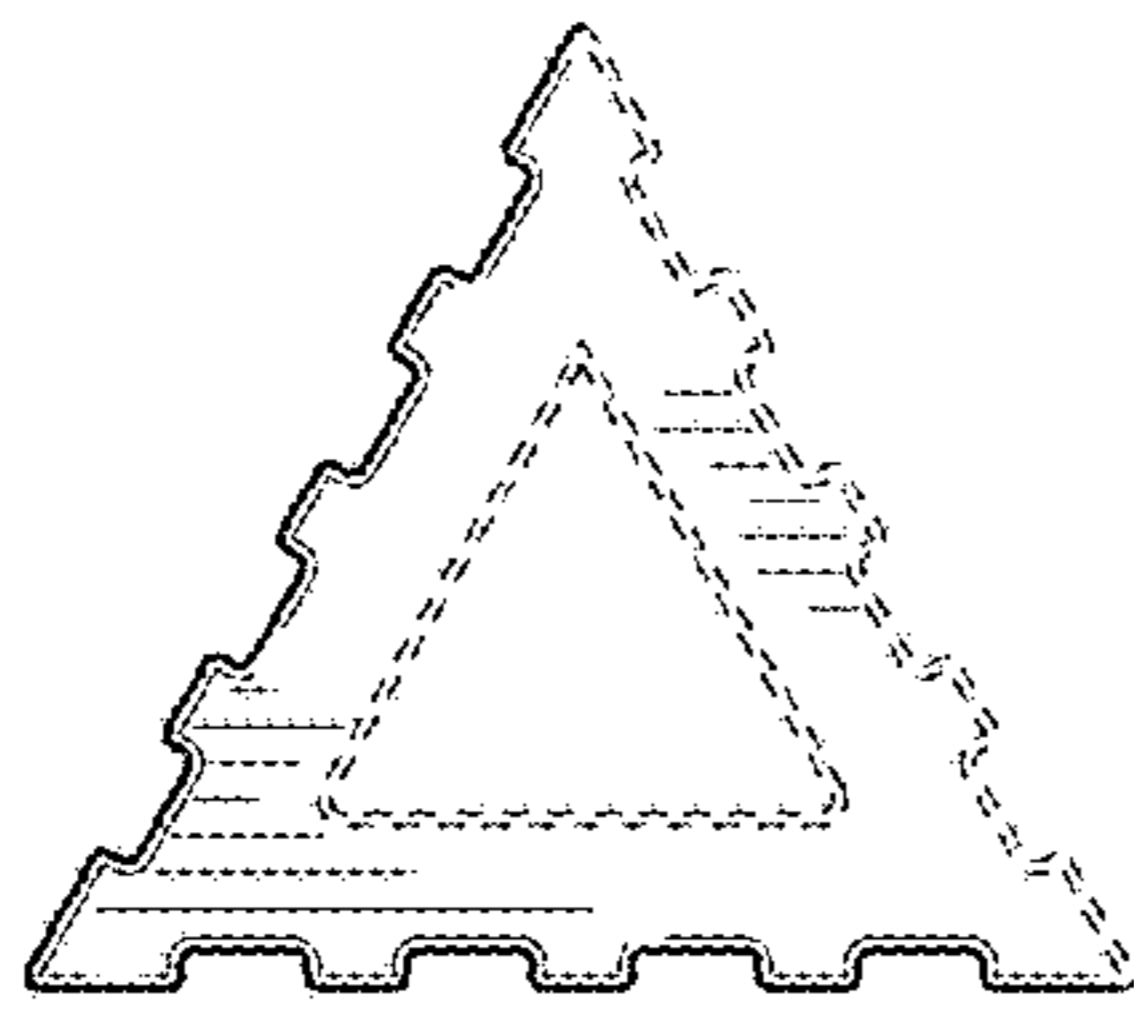


FIG. 9

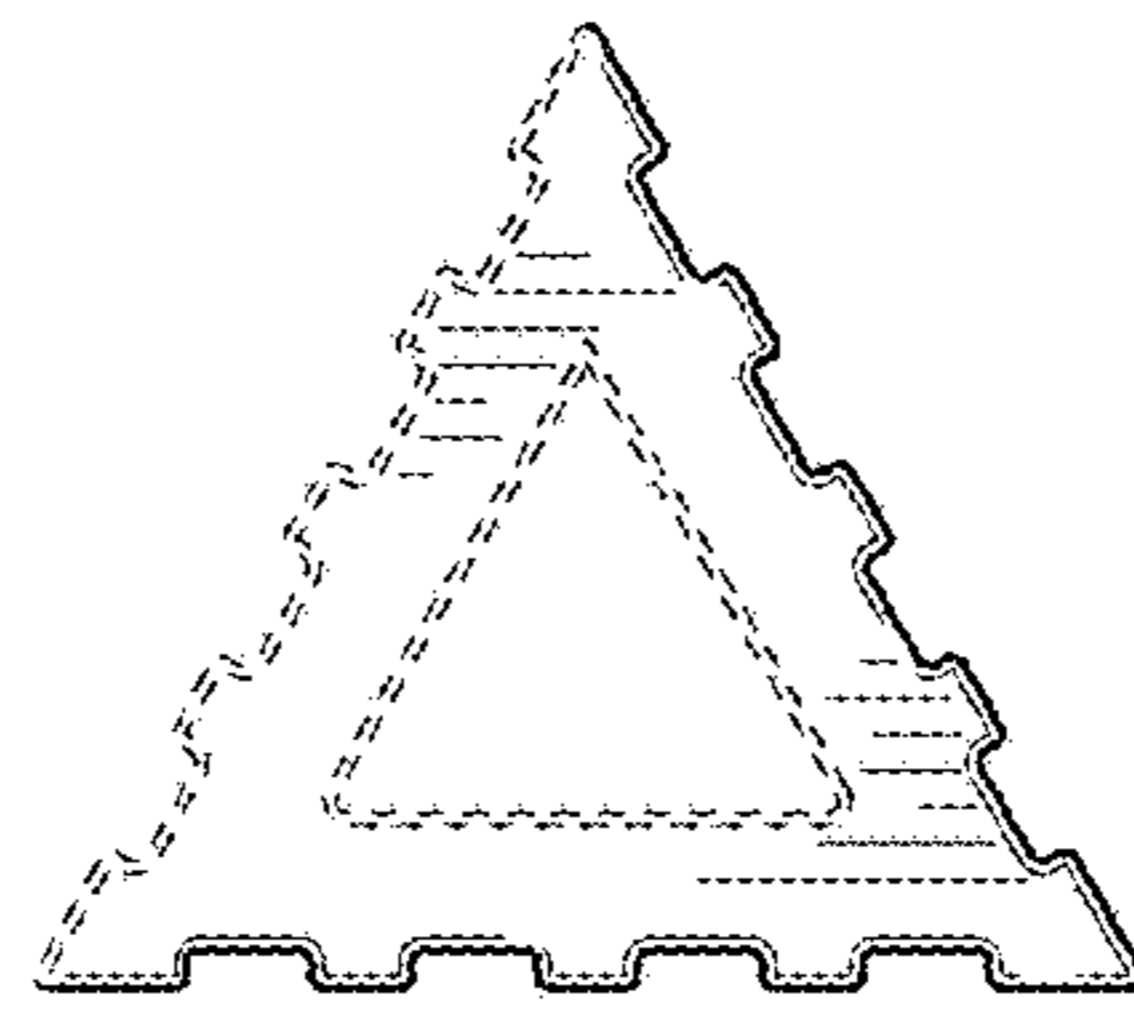


FIG. 10

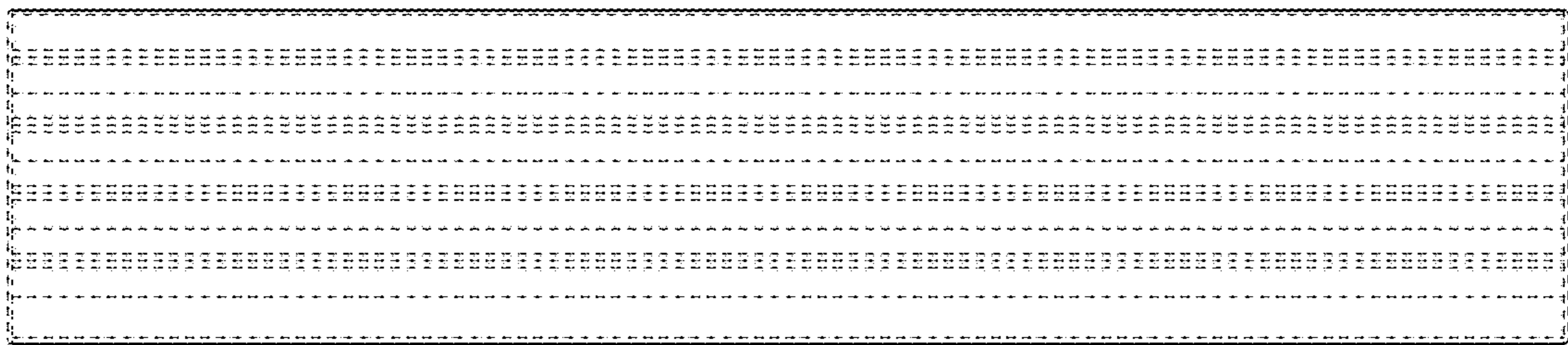


FIG. 11



FIG. 12



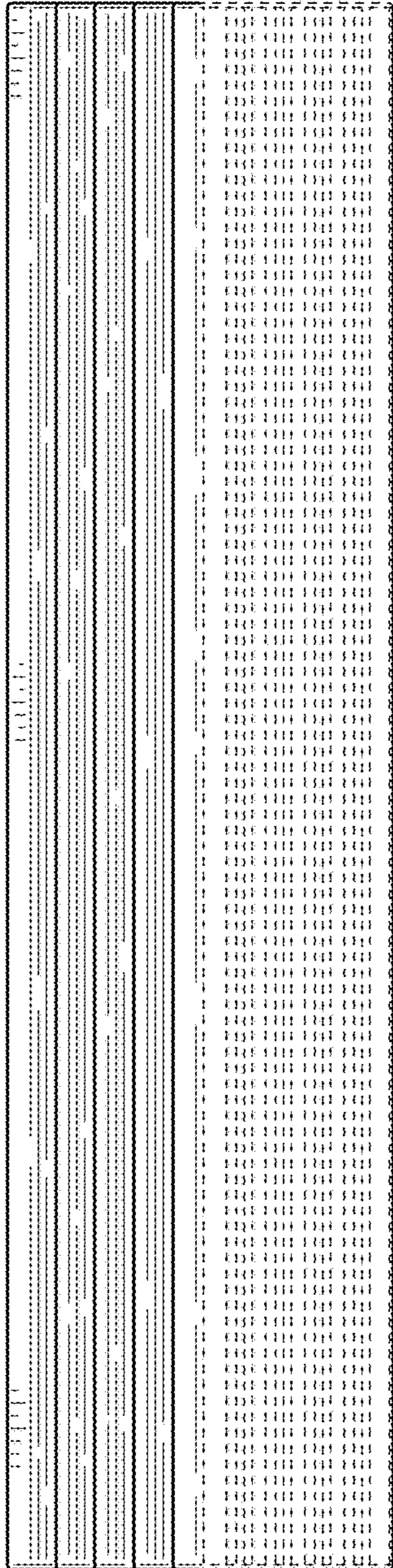


FIG. 13

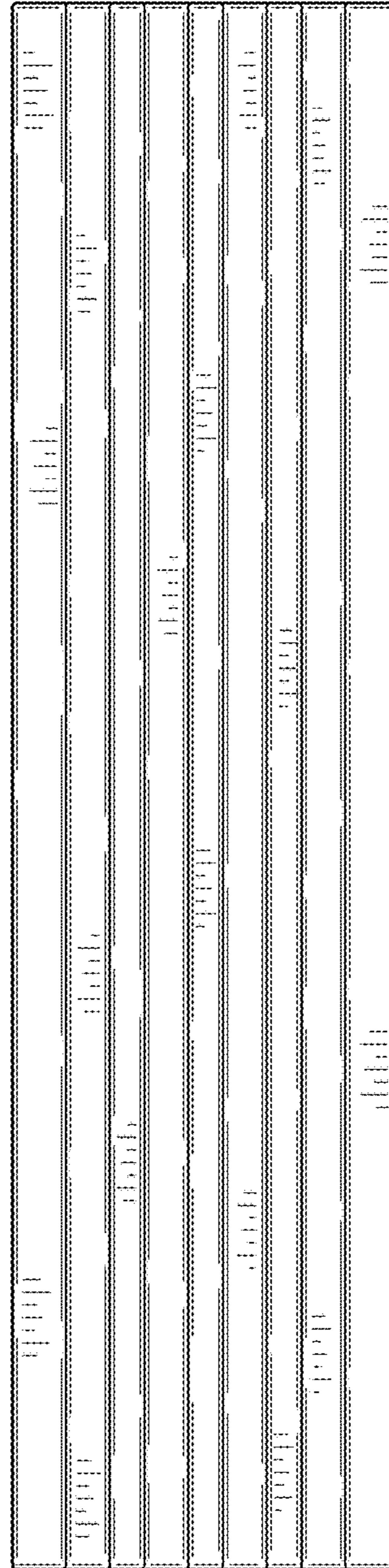


FIG. 14