



US00D803508S

(12) **United States Design Patent**
Horn et al.

(10) **Patent No.:** **US D803,508 S**

(45) **Date of Patent:** **** Nov. 21, 2017**

(54) **LONG GUN LOCK BOX**

(71) Applicants: **William A. Horn**, Chino Hills, CA (US); **Luis Angel Garcia Cortes**, Tijuana (MX); **Eric Zeng**, Cuangzhou (CN)

(72) Inventors: **William A. Horn**, Chino Hills, CA (US); **Luis Angel Garcia Cortes**, Tijuana (MX); **Eric Zeng**, Cuangzhou (CN)

(**) Term: **15 Years**

(21) Appl. No.: **29/588,043**

(22) Filed: **Dec. 16, 2016**

(51) **LOC (10) Cl.** **99-00**

(52) **U.S. Cl.**
USPC **D99/28**

(58) **Field of Classification Search**

USPC D99/28, 34, 35, 36, 43, 99; 109/1 R, 109/1 V, 2, 45; 902/9, 30; 235/100; 206/317, 527, 235; 312/400, 409
CPC F42B 39/00; F42B 39/002; F42B 39/14; F42B 39/18; F42B 39/24; F42B 39/22; F42B 39/20; F42B 39/26; E05G 1/00; E05G 1/005; E05G 1/024; E05G 5/00; E05G 2700/00; E05G 2700/02; E05G 2700/04; G07D 11/0009; G07F 9/06; G07F 9/003; G07F 9/002; G07F 9/004; G07F 9/008; G07F 17/10; G07F 17/12; D07D 11/009; F41C 33/00; F41C 33/06; A47B 81/00; A47B 81/005; E05B 65/0075

See application file for complete search history.

(56) **References Cited**

U.S. PATENT DOCUMENTS

166,107 A * 7/1875 Hyatt E05G 1/08 109/53
1,447,462 A * 3/1923 Butscher E05G 1/024 109/58

1,513,267 A 10/1924 Parks
2,781,897 A * 2/1957 Dale F41C 33/06 206/317
3,138,306 A * 6/1964 Bare F41C 33/06 206/317
3,307,755 A 3/1967 Lentz
4,099,593 A 7/1978 Schultz
4,309,065 A 1/1982 Pappas
4,651,544 A 3/1987 Hungerford

(Continued)

Primary Examiner — Elizabeth J Oswecki

(74) *Attorney, Agent, or Firm* — QuickPatents, LLC; Kevin Prince

(57) **CLAIM**

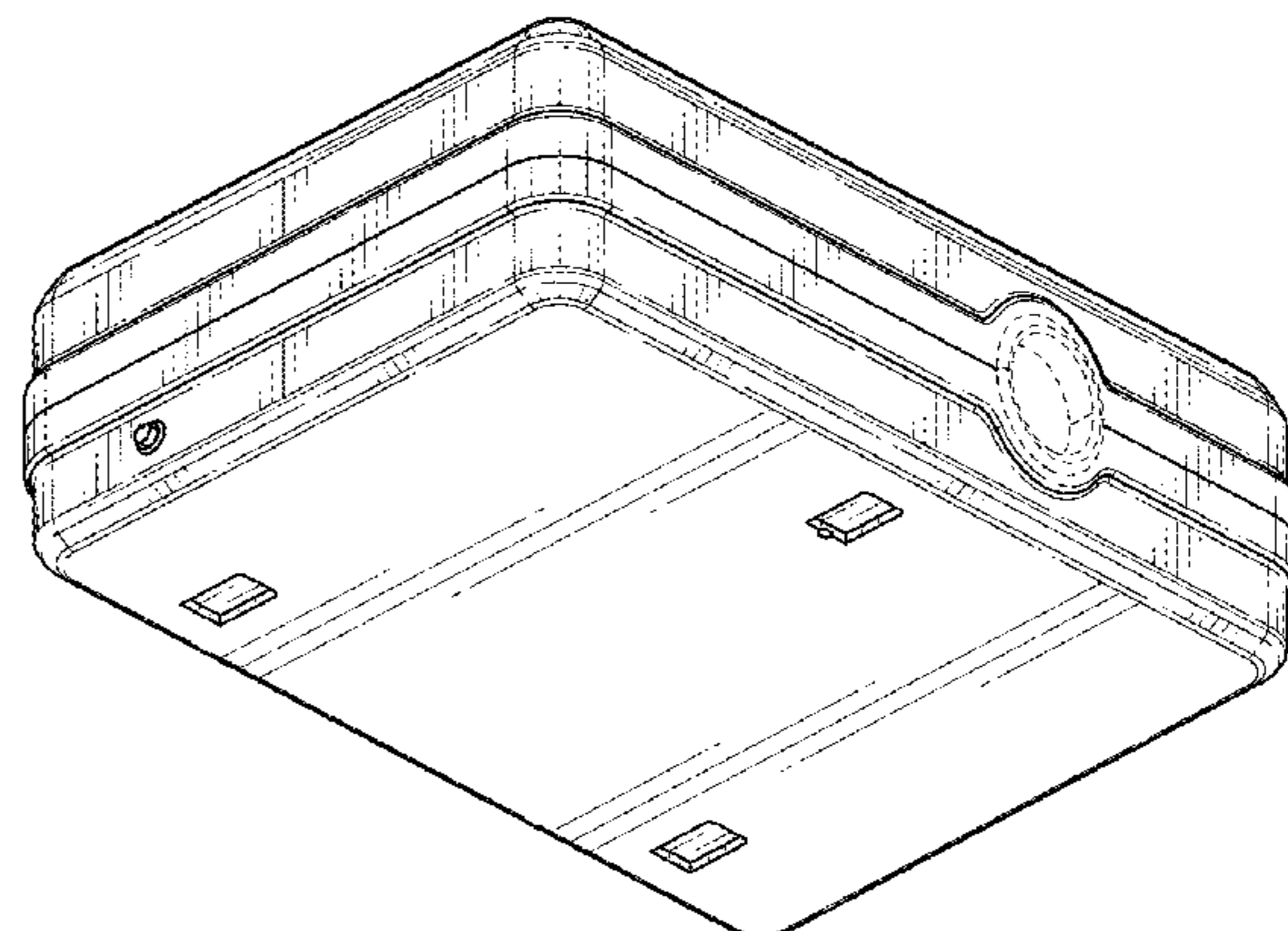
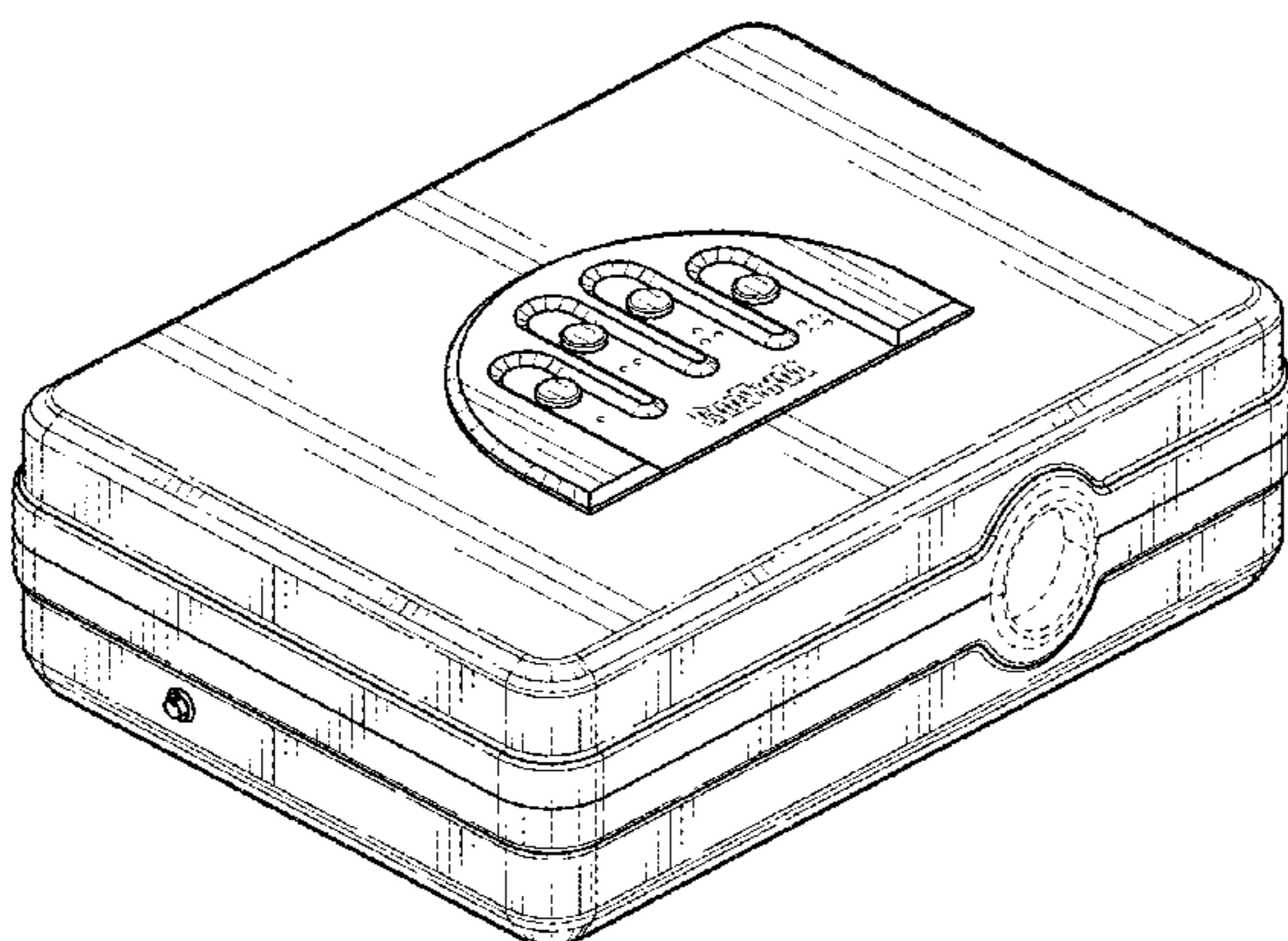
The ornamental design for a long gun lock box, as shown and described.

DESCRIPTION

FIG. 1 is a top perspective view of a long gun lock box, showing our new design in a closed position; FIG. 2 is a bottom perspective view of FIG. 1; FIG. 3 is a front elevational view of FIG. 1; FIG. 4 is a rear elevational view of FIG. 1; FIG. 5 is a left-side elevational view of FIG. 1; FIG. 6 is a right-side elevational view of FIG. 1; FIG. 7 is a top plan view of FIG. 1; FIG. 8 is a bottom plan view of FIG. 1; FIG. 9 is a top perspective view thereof, illustrated in an open position; FIG. 10 is a bottom perspective view of FIG. 9; FIG. 11 is a front elevational view of FIG. 9; FIG. 12 is a rear elevational view of FIG. 9; and FIG. 13 is a left-side elevational view of FIG. 9; FIG. 14 is a right-side elevational view of FIG. 9; FIG. 15 is a top plan view of FIG. 9; and FIG. 16 is a bottom plan view of FIG. 9.

The broken lines in the figures depict portions of the lock box that form no part of the claimed design.

1 Claim, 8 Drawing Sheets



(56)

References Cited

U.S. PATENT DOCUMENTS

| | | | | | | | |
|--------------|---------|-------------------|--------|-------------------|---------|-------------|------------------------|
| D289,582 S * | 5/1987 | Brush, Jr. | D3/281 | D503,503 S * | 3/2005 | Perella | D99/28 |
| D291,139 S * | 7/1987 | Warwicker | D3/281 | D541,045 S * | 4/2007 | Peart | D3/291 |
| 4,854,145 A | 8/1989 | Arai et al. | | D542,529 S * | 5/2007 | Peart | D3/276 |
| 5,009,088 A | 4/1991 | Cislo | | D558,977 S * | 1/2008 | Peart | D3/294 |
| 5,048,682 A | 9/1991 | Taylor | | D560,875 S * | 1/2008 | Decarlo | D3/273 |
| 5,111,755 A | 5/1992 | Rouse | | D561,994 S * | 2/2008 | Peart | D3/291 |
| 5,138,786 A | 8/1992 | Fischer | | D569,073 S * | 5/2008 | Osiecki | D99/28 |
| 5,161,396 A | 11/1992 | Loeff | | D570,074 S * | 5/2008 | Osiecki | D99/28 |
| 5,172,575 A | 12/1992 | Fisher | | D571,524 S * | 6/2008 | Kang | D99/28 |
| 5,189,894 A | 3/1993 | Buck | | D572,425 S * | 7/2008 | Themistos | D99/28 |
| 5,236,086 A | 8/1993 | MacTaggart | | D617,525 S * | 6/2010 | Taylor | D99/28 |
| 5,344,010 A | 9/1994 | Dyer et al. | | D617,974 S * | 6/2010 | Alfeld, Sr. | D99/28 |
| D362,116 S | 9/1995 | Bellington et al. | | D620,675 S * | 7/2010 | Doettling | D99/28 |
| D376,691 S * | 12/1996 | Naas | D3/274 | D624,275 S * | 9/2010 | Min | D99/28 |
| 5,579,909 A | 12/1996 | Deal | | D635,324 S * | 3/2011 | Plato | D99/28 |
| 5,621,996 A | 4/1997 | Mowl, Jr. | | D651,785 S * | 1/2012 | Martin | D99/28 |
| 5,662,219 A | 9/1997 | Tschudy et al. | | D667,195 S * | 9/2012 | Guo | D99/28 |
| D393,526 S * | 4/1998 | Robey | D3/281 | D668,047 S * | 10/2012 | Cenzano | D3/272 |
| 5,768,819 A | 6/1998 | Neal | | D671,705 S * | 11/2012 | Edmondson | D99/28 |
| 5,794,466 A | 8/1998 | Hungerford et al. | | D671,743 S * | 12/2012 | Cenzano | D3/272 |
| D399,632 S * | 10/1998 | Davis | D99/28 | D677,463 S * | 3/2013 | Cenzano | D3/272 |
| 5,881,584 A | 3/1999 | Brunoski et al. | | D688,024 S * | 8/2013 | Metlen | D99/28 |
| 6,009,654 A | 1/2000 | Williams et al. | | D709,665 S * | 7/2014 | Martin | D99/28 |
| D449,161 S * | 10/2001 | Gillespie | D3/276 | D714,015 S * | 9/2014 | Hyde | D99/28 |
| D459,857 S * | 7/2002 | Stoneberg | D99/28 | D719,344 S * | 12/2014 | Miller | D3/203.1 |
| D461,617 S * | 8/2002 | Gardner | D99/28 | D732,264 S * | 6/2015 | Hine | D99/28 |
| 6,438,885 B1 | 8/2002 | Murray et al. | | D732,265 S * | 6/2015 | Osiecki | D99/28 |
| 6,510,642 B2 | 1/2003 | Riener | | D748,365 S * | 1/2016 | Nelson | D99/28 |
| 6,533,149 B2 | 3/2003 | Vor Keller et al. | | 2002/0062767 A1 * | 5/2002 | Walker | E05G 1/00 109/67 |
| D474,596 S * | 5/2003 | Osiecki | D3/273 | 2003/0024283 A1 | 2/2003 | Meyer | |
| 6,568,117 B2 | 5/2003 | Weinraub | | 2005/0194872 A1 * | 9/2005 | Cleveland | A47B 81/005 312/290 |
| 6,578,307 B2 | 6/2003 | Troyer | | 2006/0108252 A1 * | 5/2006 | Lax | A45C 11/00 206/470 |
| 6,584,719 B1 | 7/2003 | Morford | | | | | |
| D493,936 S * | 8/2004 | Perella | D99/28 | | | | |

* cited by examiner

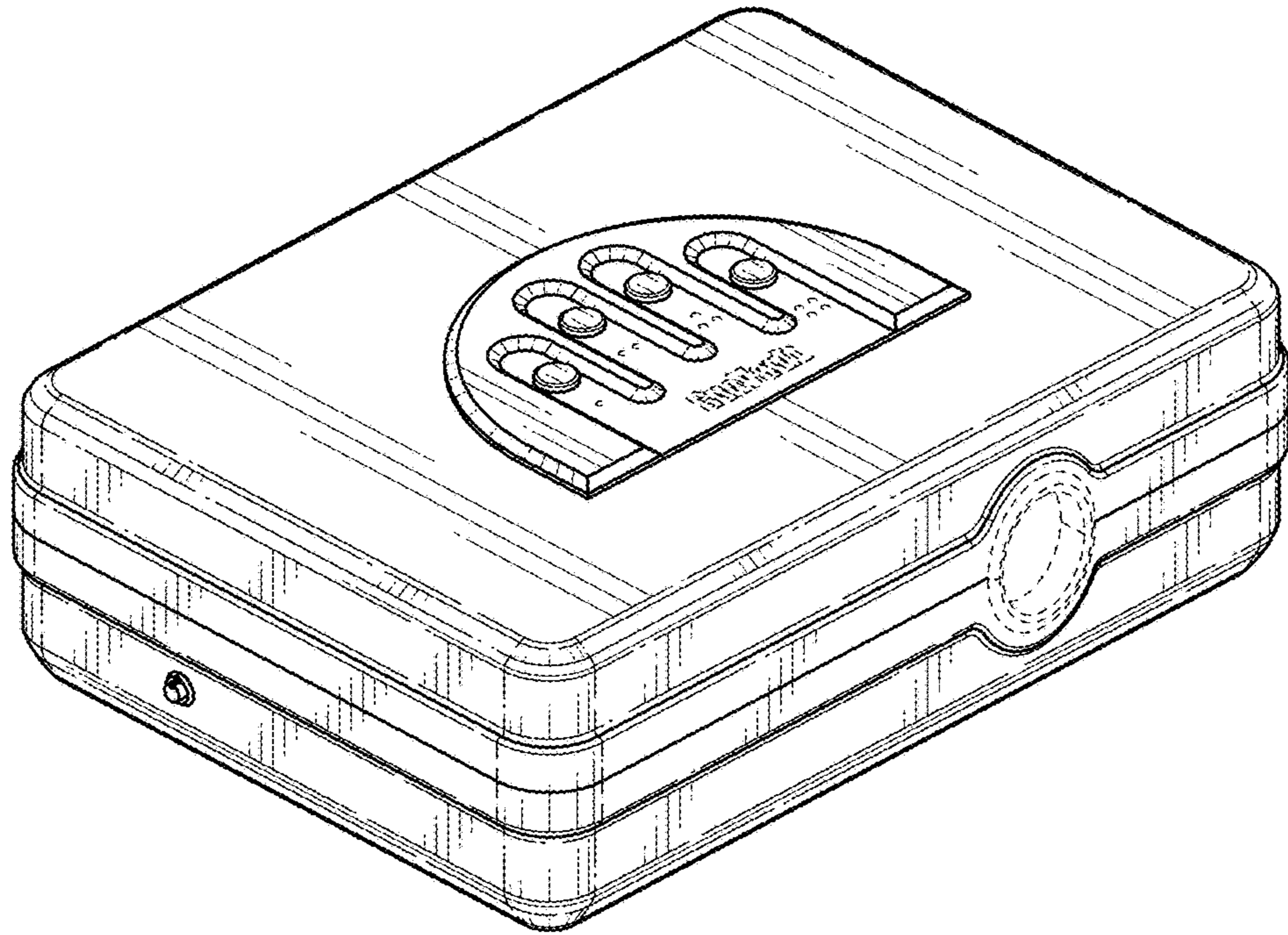


FIG. 1

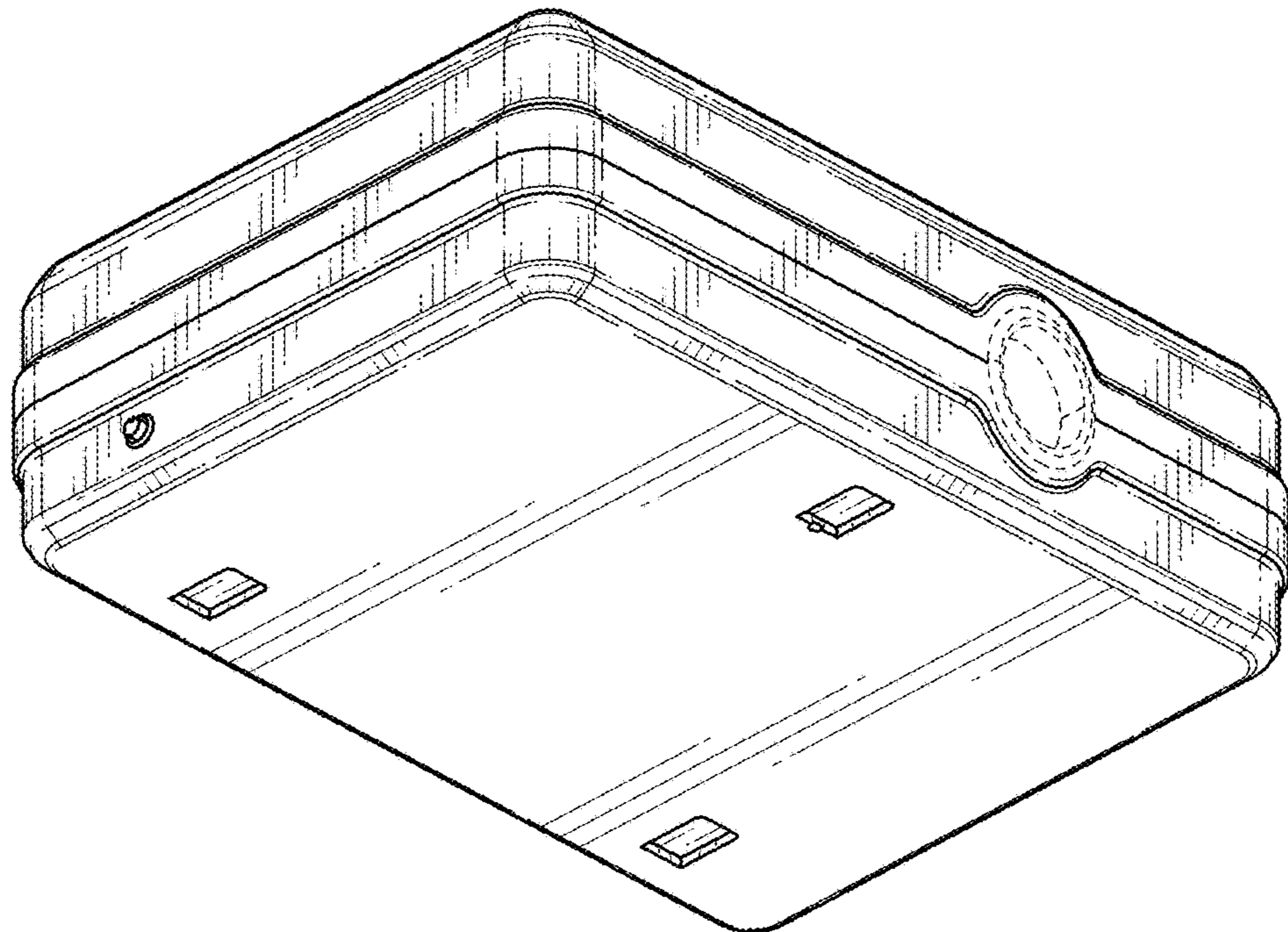


FIG. 2

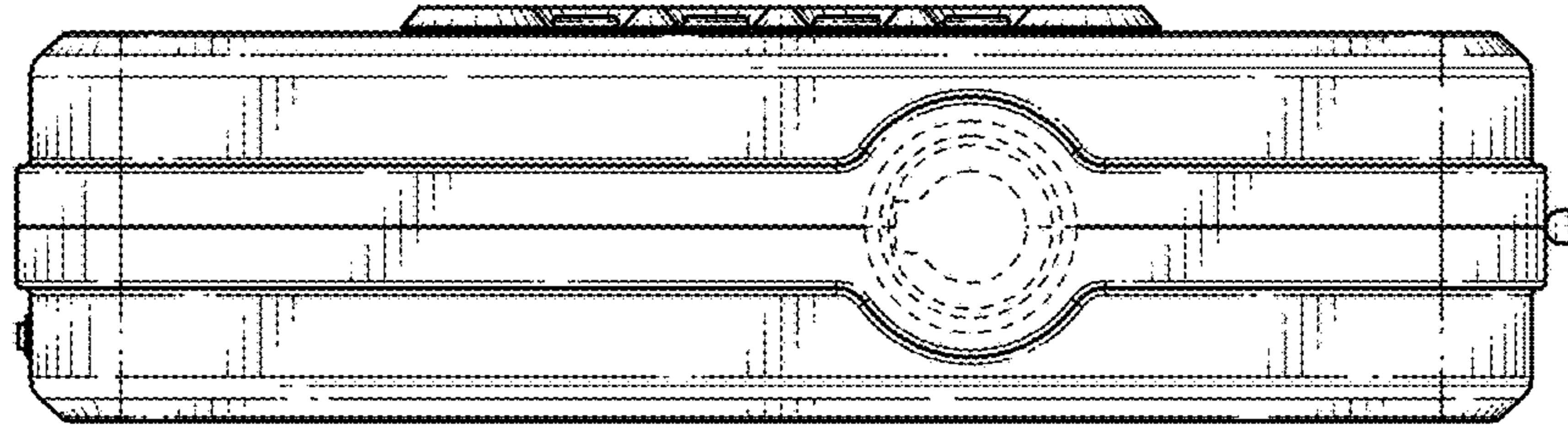


FIG. 3

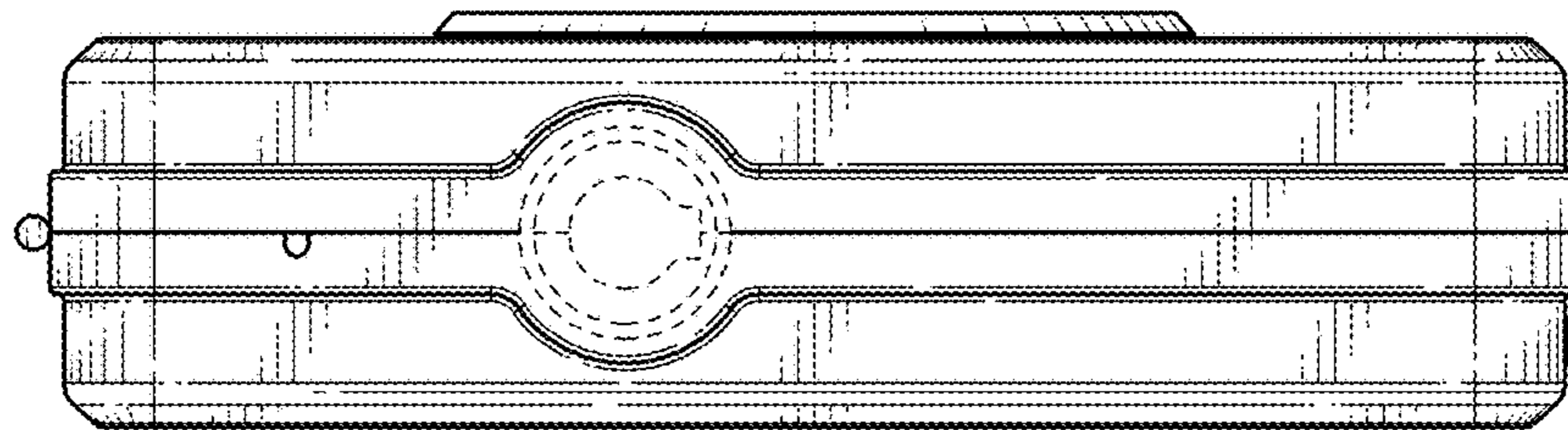


FIG. 4

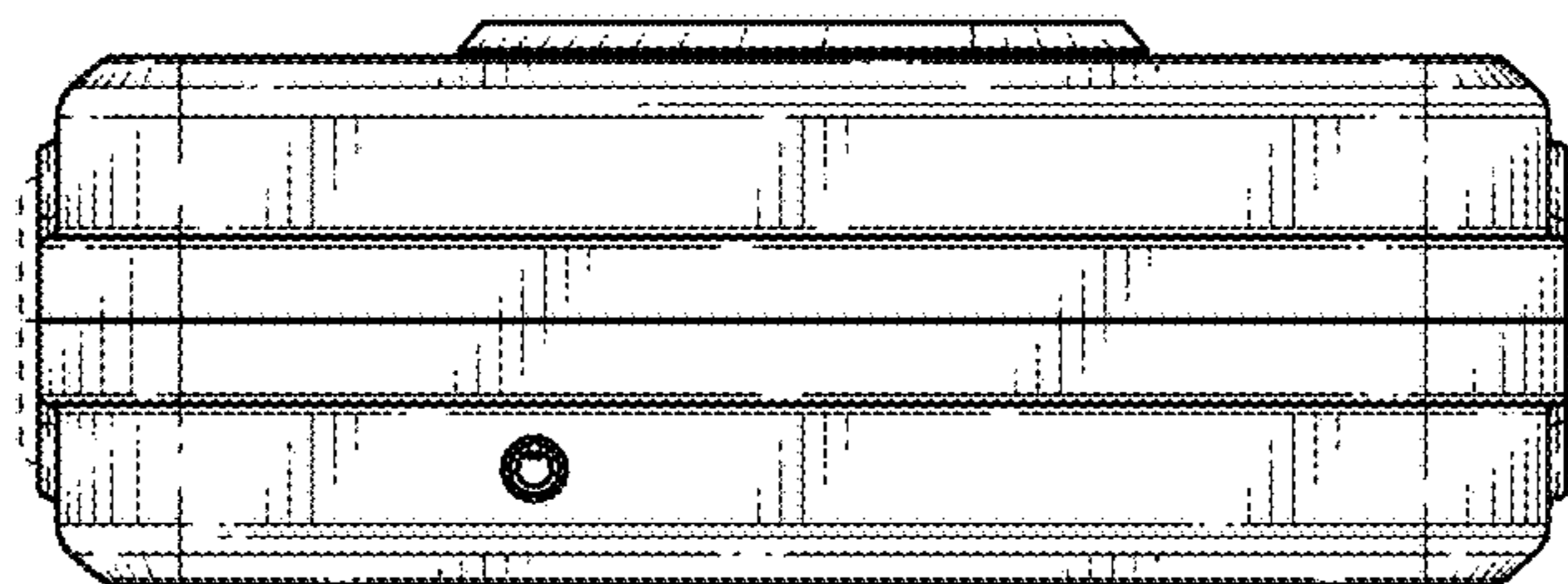


FIG. 5

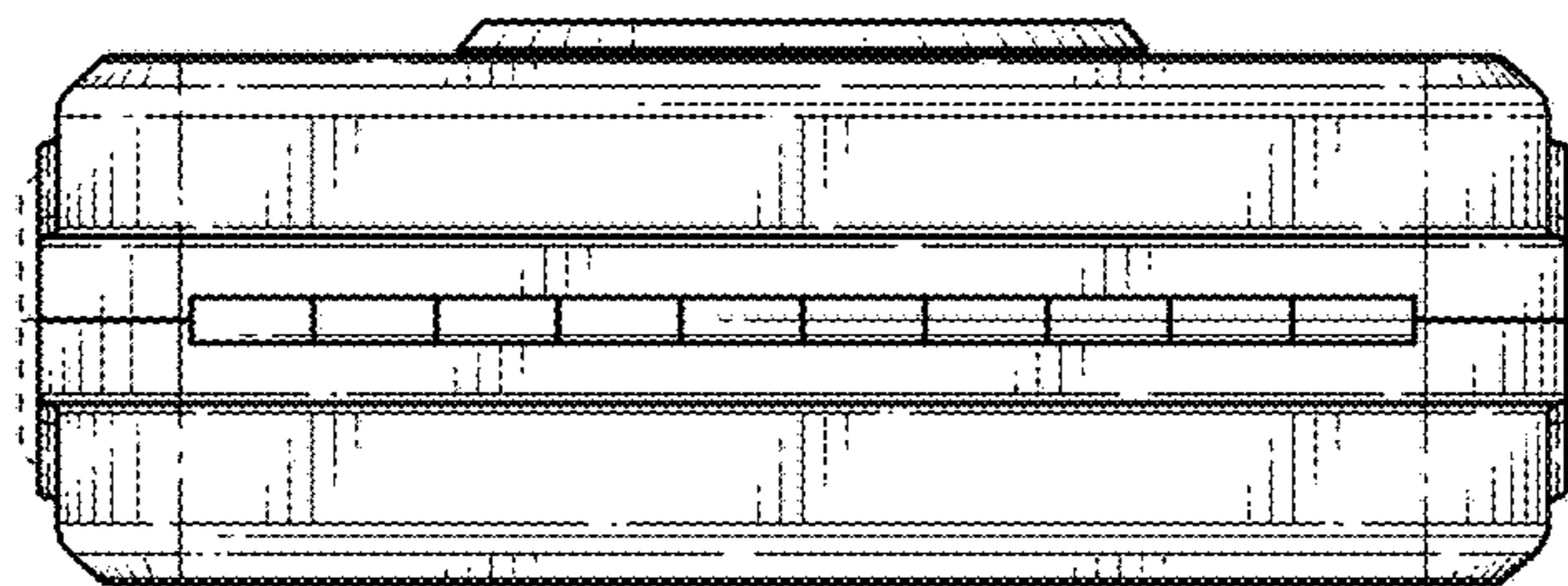


FIG. 6

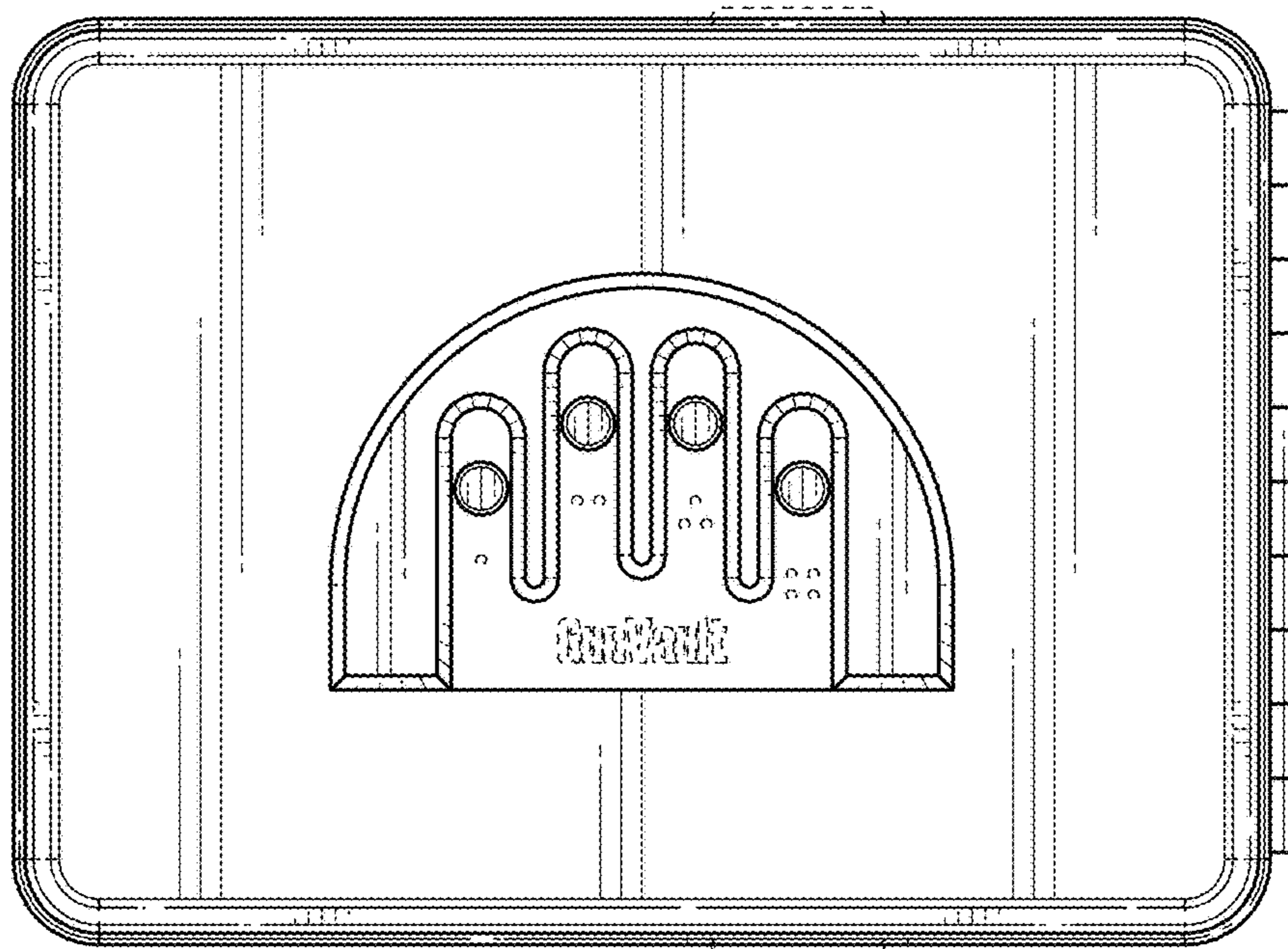


FIG. 7

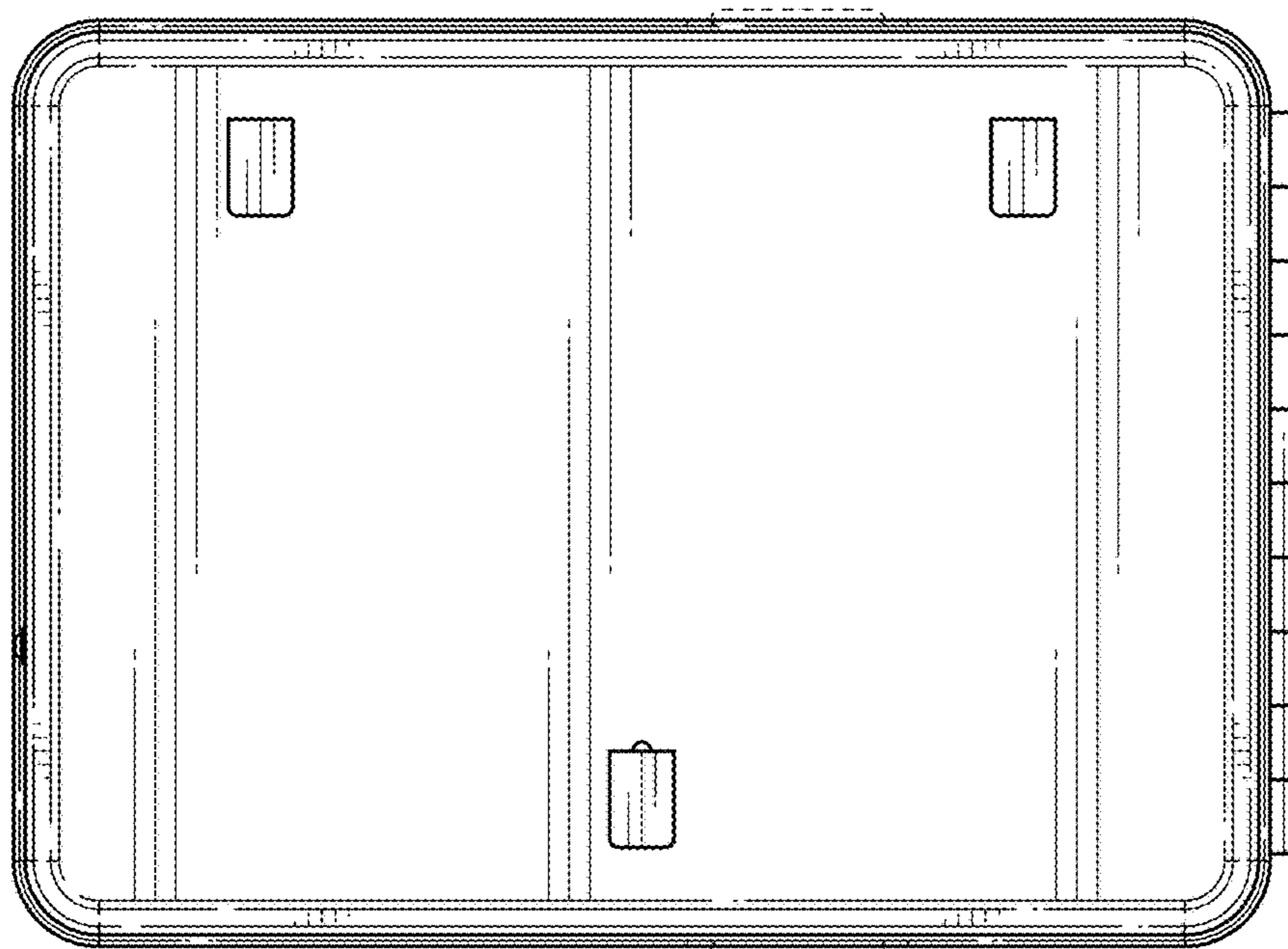


FIG. 8

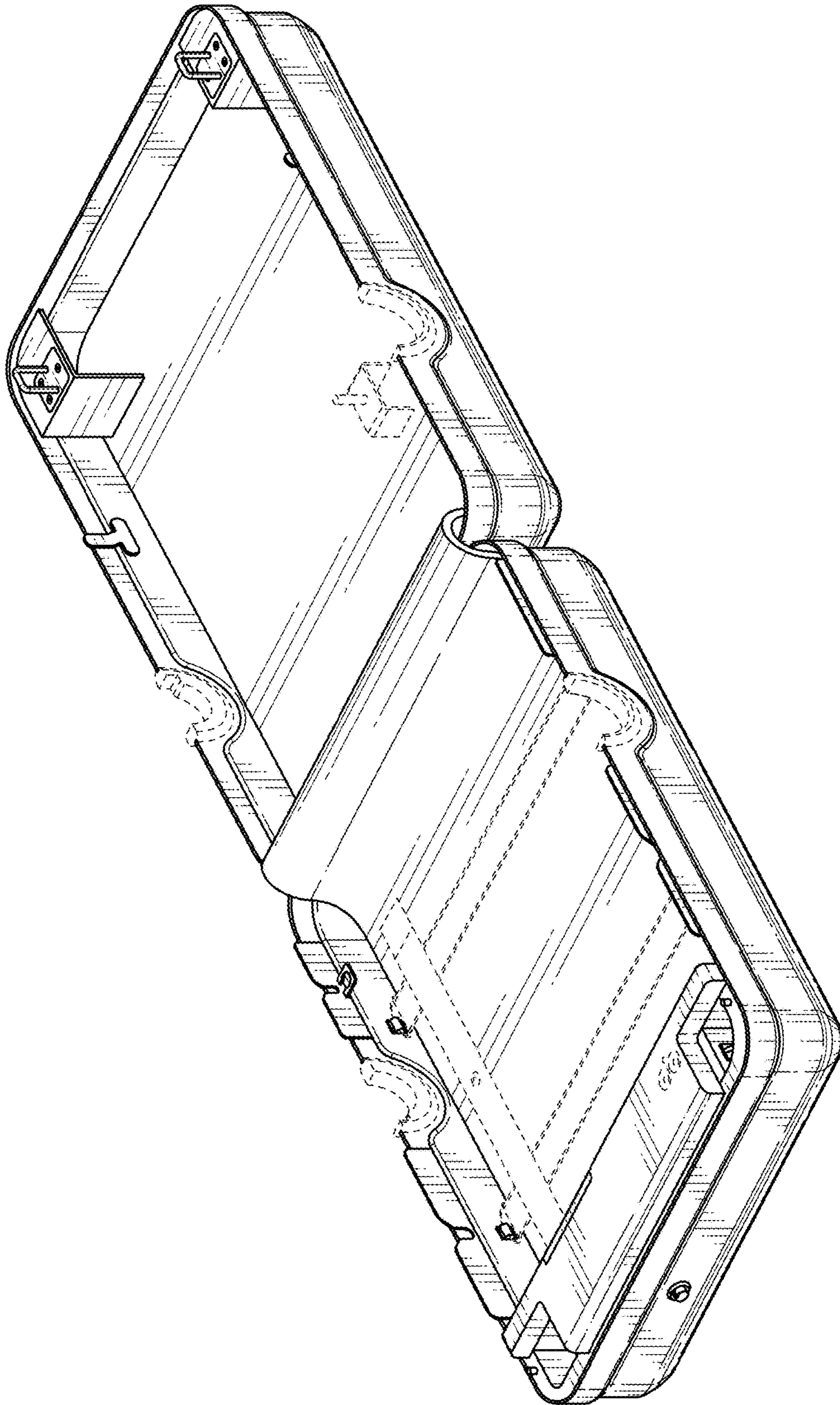


FIG. 9

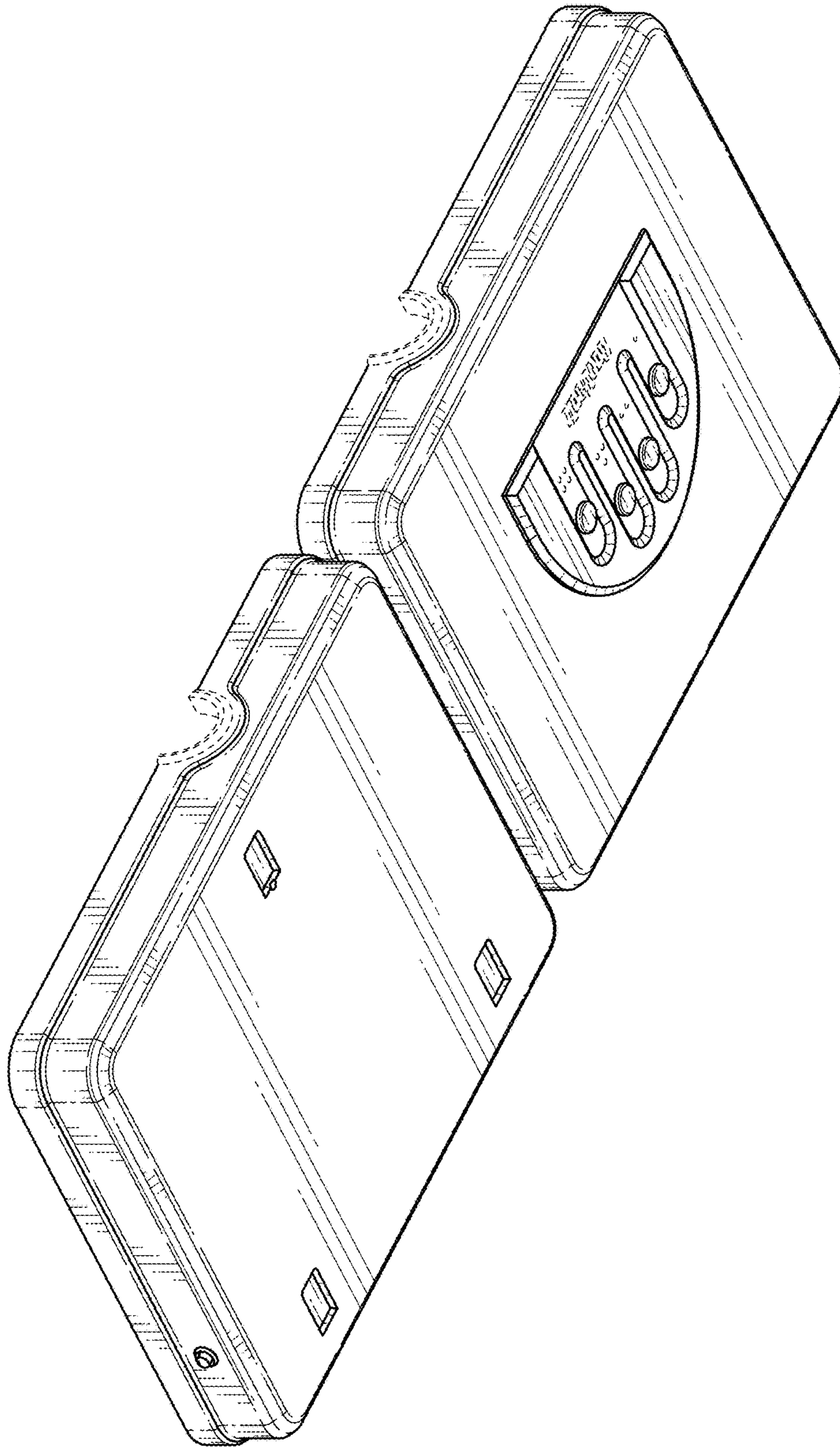


FIG. 10

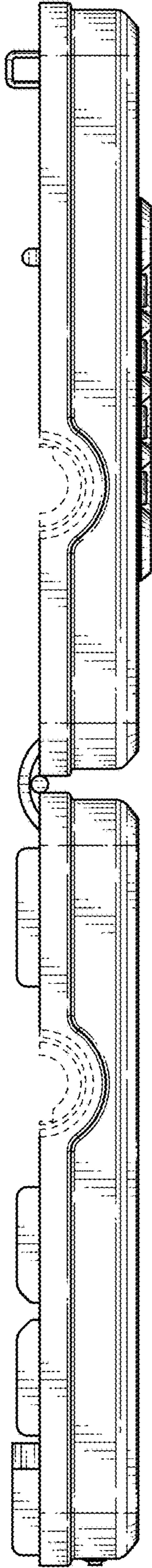


FIG. 11

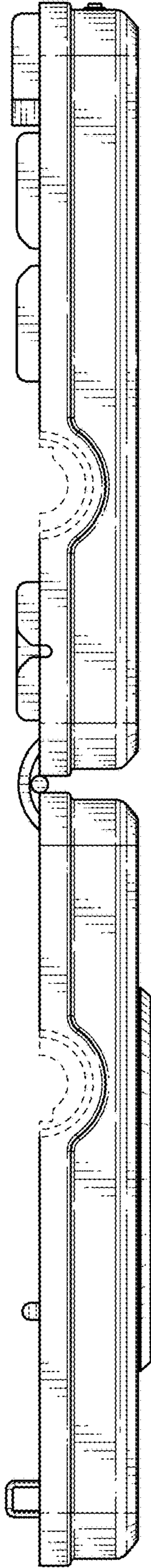


FIG. 12

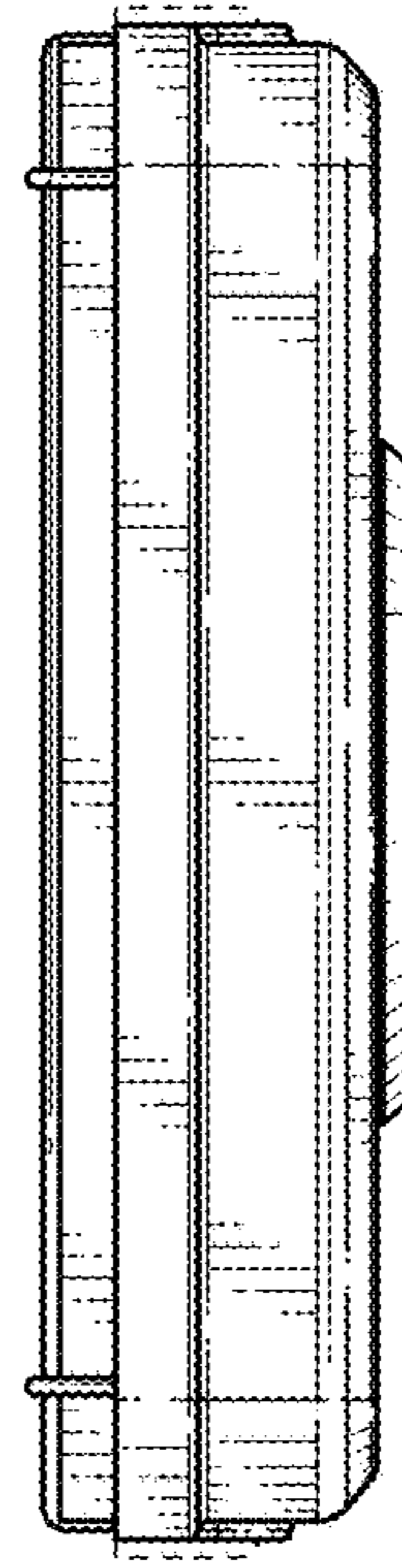


FIG. 14

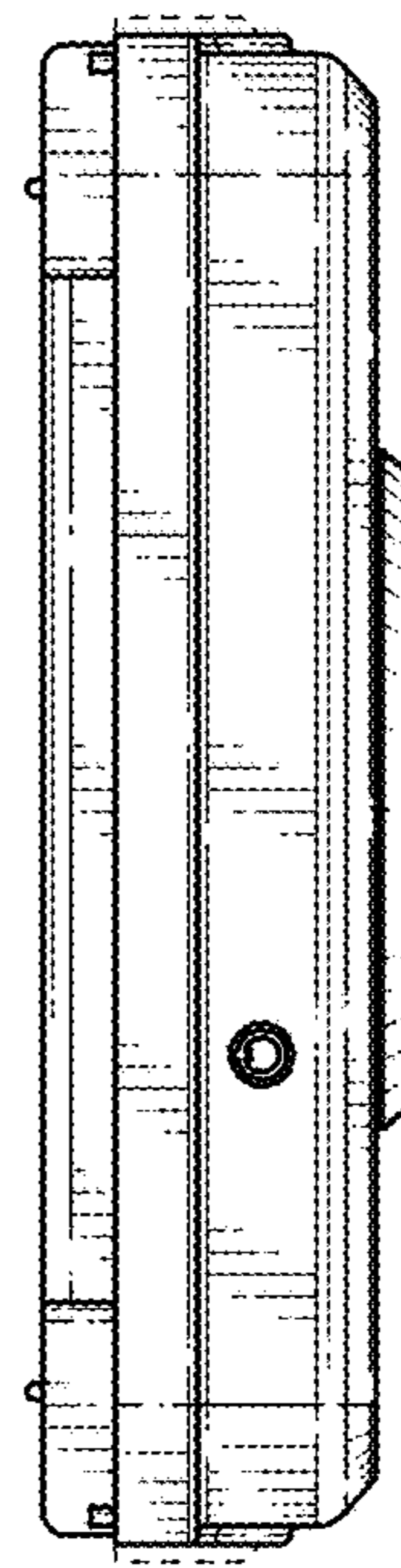


FIG. 13

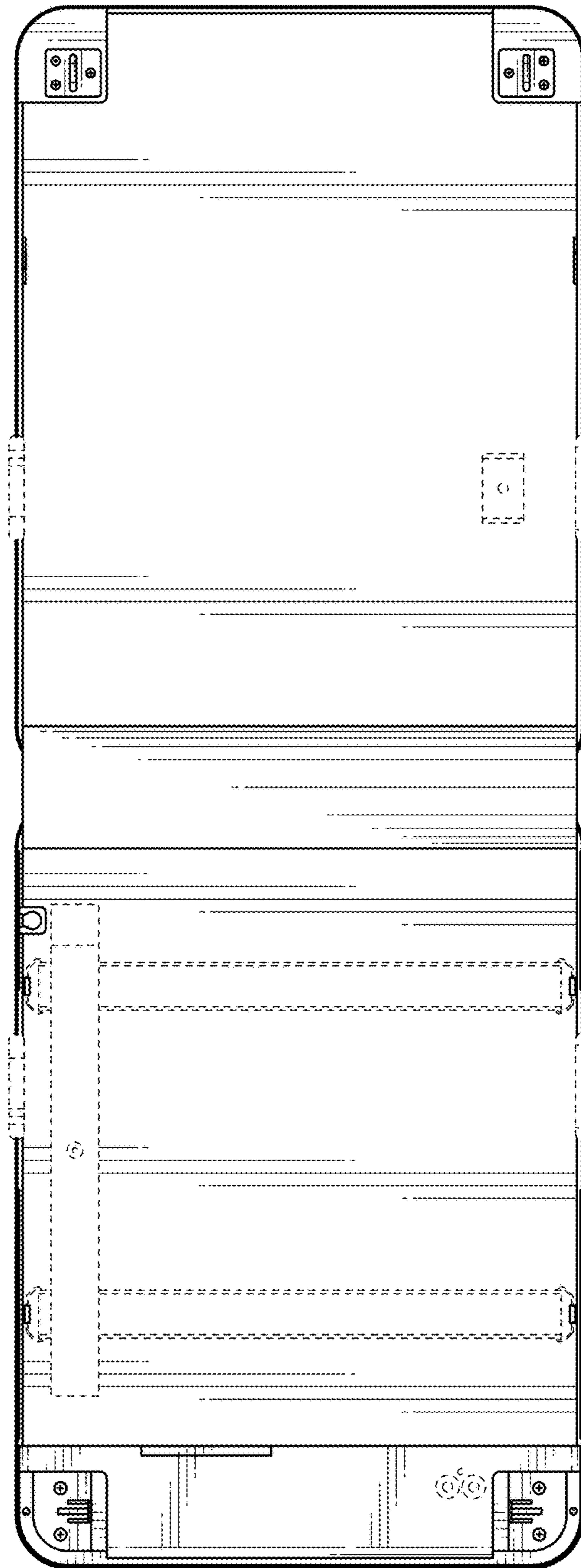


FIG. 15

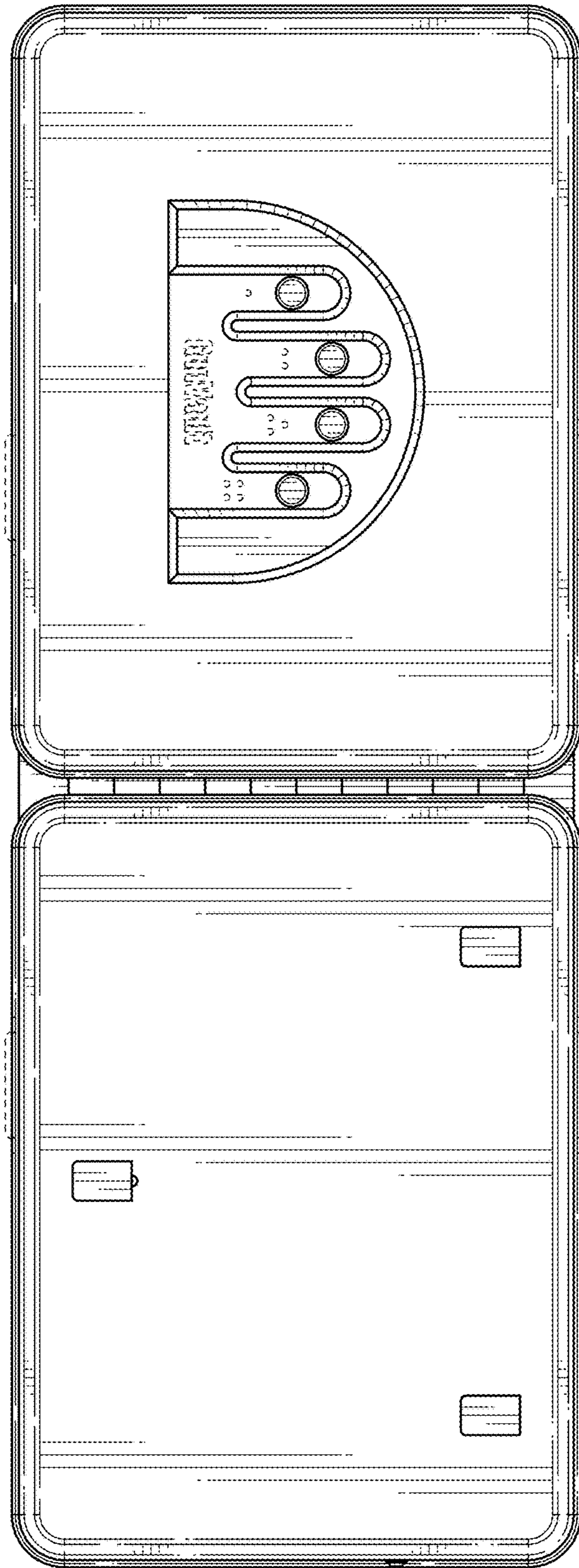


FIG. 16