



US00D803503S

(12) **United States Design Patent** (10) **Patent No.:** **US D803,503 S**  
**Butler et al.** (45) **Date of Patent:** **\*\* \*Nov. 21, 2017**

(54) **MARINE TRASH RECEPTACLE**

FOREIGN PATENT DOCUMENTS

(71) Applicants: **Pamela A. Butler**, Hollywood, FL  
(US); **Michael W. Carter**, Hollywood,  
FL (US)

CN 102320442 A 1/2012  
CN 203753722 U 8/2014  
(Continued)

(72) Inventors: **Pamela A. Butler**, Hollywood, FL  
(US); **Michael W. Carter**, Hollywood,  
FL (US)

OTHER PUBLICATIONS

Trasharoo Tire Trash Bag; Jun. 24, 2012.  
Promark Off Road Trail Bag; Feb. 24, 2011.  
Pop-Up Camp Trash Can; 1996.

(73) Assignee: **Marine 360 LLC**

(\*) Notice: This patent is subject to a terminal dis-  
claimer.

*Primary Examiner* — Cynthia Ramirez  
(74) *Attorney, Agent, or Firm* — Gould & Ratner LLP

(\*\*) Term: **14 Years**

(57) **CLAIM**

(21) Appl. No.: **29/525,118**

The ornamental design for a marine trash receptacle, as  
shown and described.

(22) Filed: **Apr. 27, 2015**

(51) **LOC (10) Cl.** ..... **09-09**

(52) **U.S. Cl.**  
USPC ..... **D34/7**

(58) **Field of Classification Search**  
USPC ..... D34/1-11; 220/495.05, 495.06, 592.2,  
220/560

CPC . B65D 25/16; B65D 1/16; B65F 1/062; B65F  
1/06; B65F 1/163; B65F 1/068; B65F  
1/002; B65F 1/16

See application file for complete search history.

**DESCRIPTION**

FIG. 1 is a perspective view of an embodiment of a marine  
trash receptacle showing my new design.  
FIG. 2 is a top plan view of the marine trash receptacle of  
FIG. 1.  
FIG. 3 is a bottom plan view of the marine trash receptacle  
of FIG. 1.  
FIG. 4 is a right side elevational view of the marine trash  
receptacle of FIG. 1.  
FIG. 5 is a left side elevational view of the marine trash  
receptacle of FIG. 1.  
FIG. 6 is a front elevation view of the marine trash recep-  
tacle of FIG. 1.  
FIG. 7 is a rear elevation view of the marine trash receptacle  
of FIG. 1; and,  
FIG. 8 is a perspective view of a marine trash receptacle of  
FIG. 1 in a collapsed condition.  
The broken lines shown in the figures are included for the  
purpose of illustrating environment and forms no part of the  
claimed design.

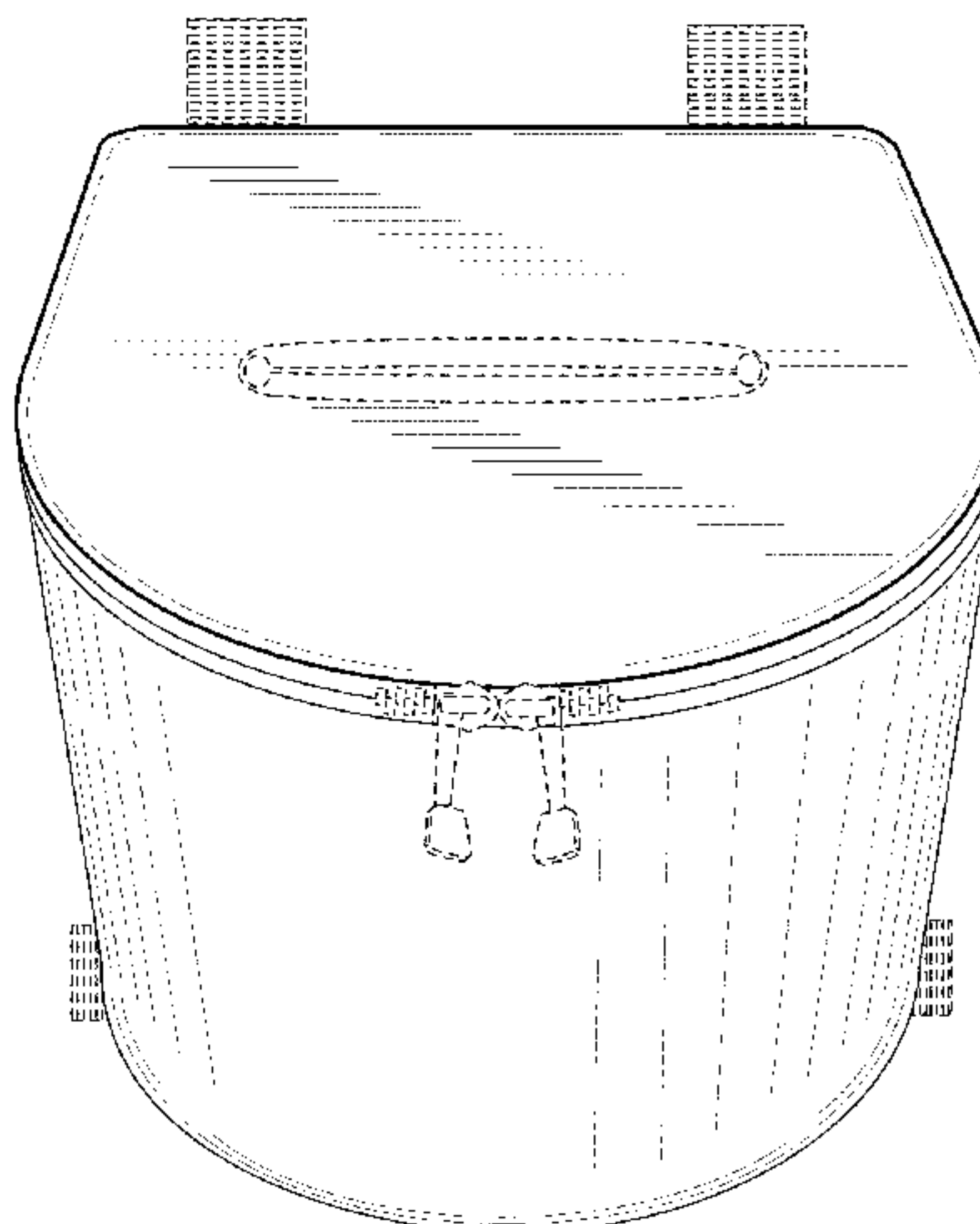
(56) **References Cited**

U.S. PATENT DOCUMENTS

1,837,221 A \* 12/1931 Kamenstein ..... B65F 1/08  
220/263  
5,803,778 A 9/1998 Hardy  
6,074,259 A 6/2000 Lastrajoli et al.  
6,343,729 B1 2/2002 Platta  
6,471,054 B2 10/2002 Nevarez  
7,815,372 B2 10/2010 Stanton et al.  
8,365,912 B2 2/2013 Carroscia et al.  
8,887,935 B2 11/2014 Zemitis et al.

(Continued)

**1 Claim, 8 Drawing Sheets**



(56)

**References Cited**

U.S. PATENT DOCUMENTS

2005/0051560 A1\* 3/2005 Ingalls ..... B65D 5/4266  
220/495.06  
2008/0056625 A1 3/2008 Stanton et al.  
2009/0261111 A1\* 10/2009 Hsu ..... B65D 81/3818  
220/592.2  
2016/0052710 A1\* 2/2016 Butler ..... B65F 1/141  
220/560

FOREIGN PATENT DOCUMENTS

FR 2790459 A1 9/2000  
GB 2470765 A 12/2010  
WO 2005089590 A1 9/2005

\* cited by examiner

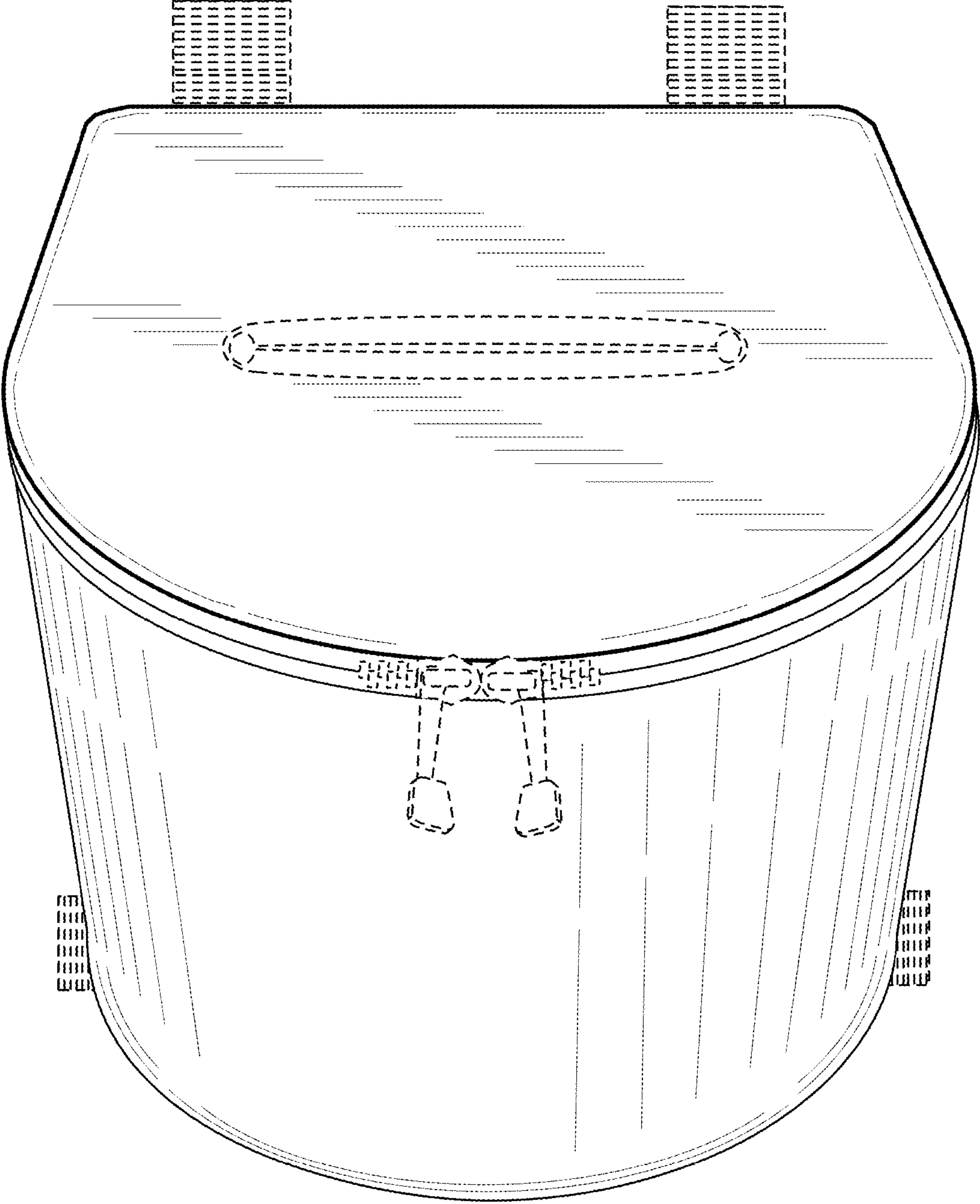


FIG. 1

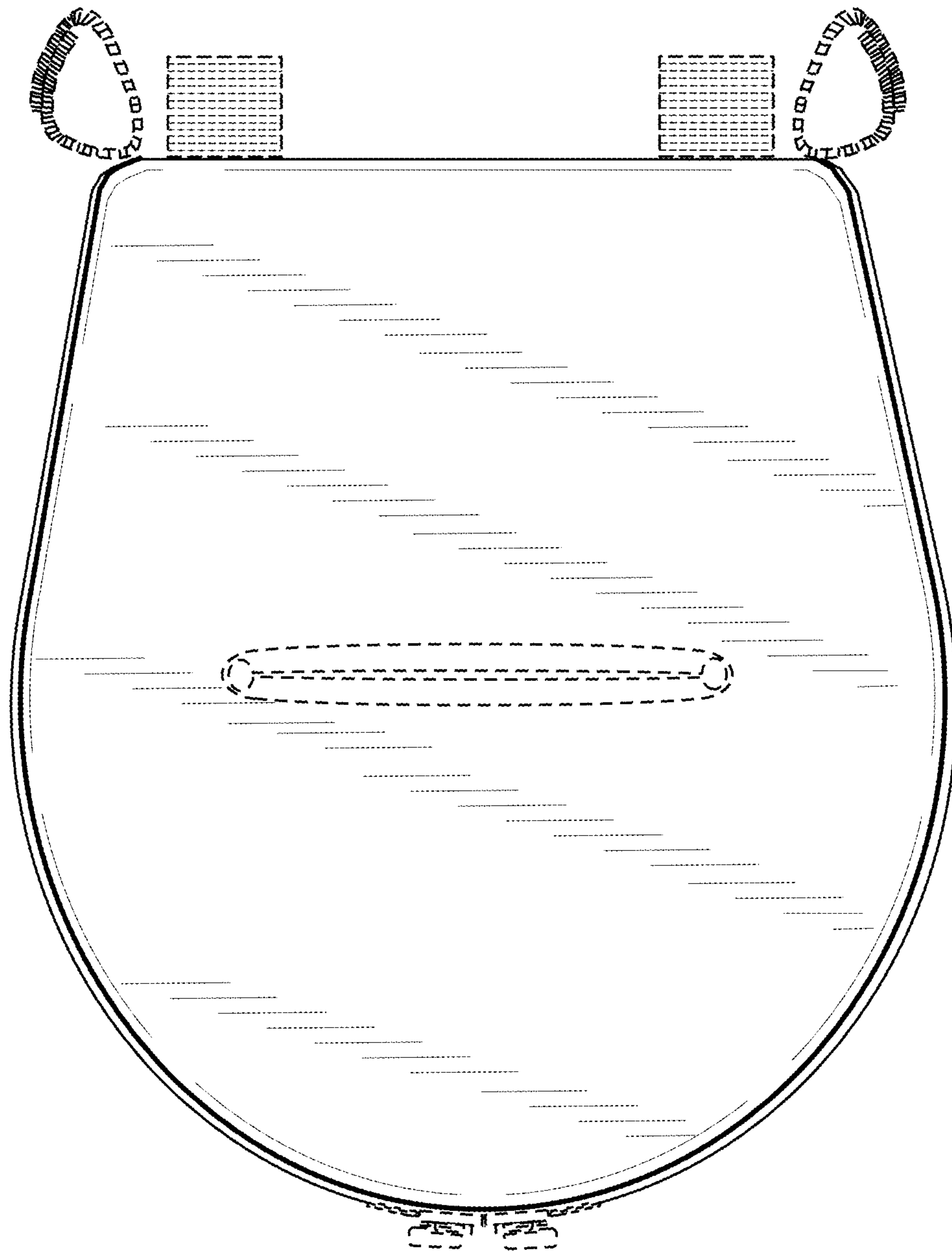


FIG. 2

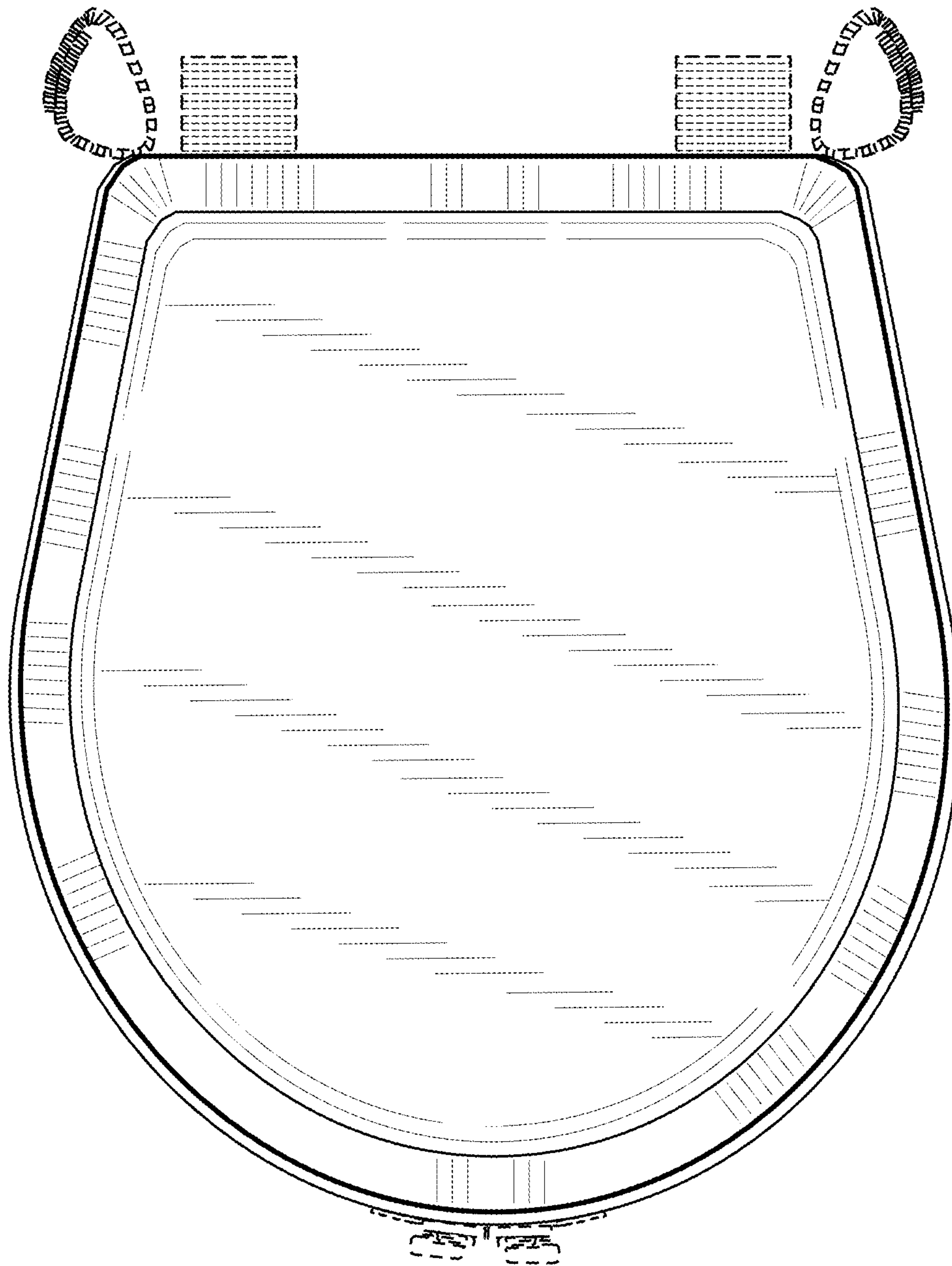


FIG. 3



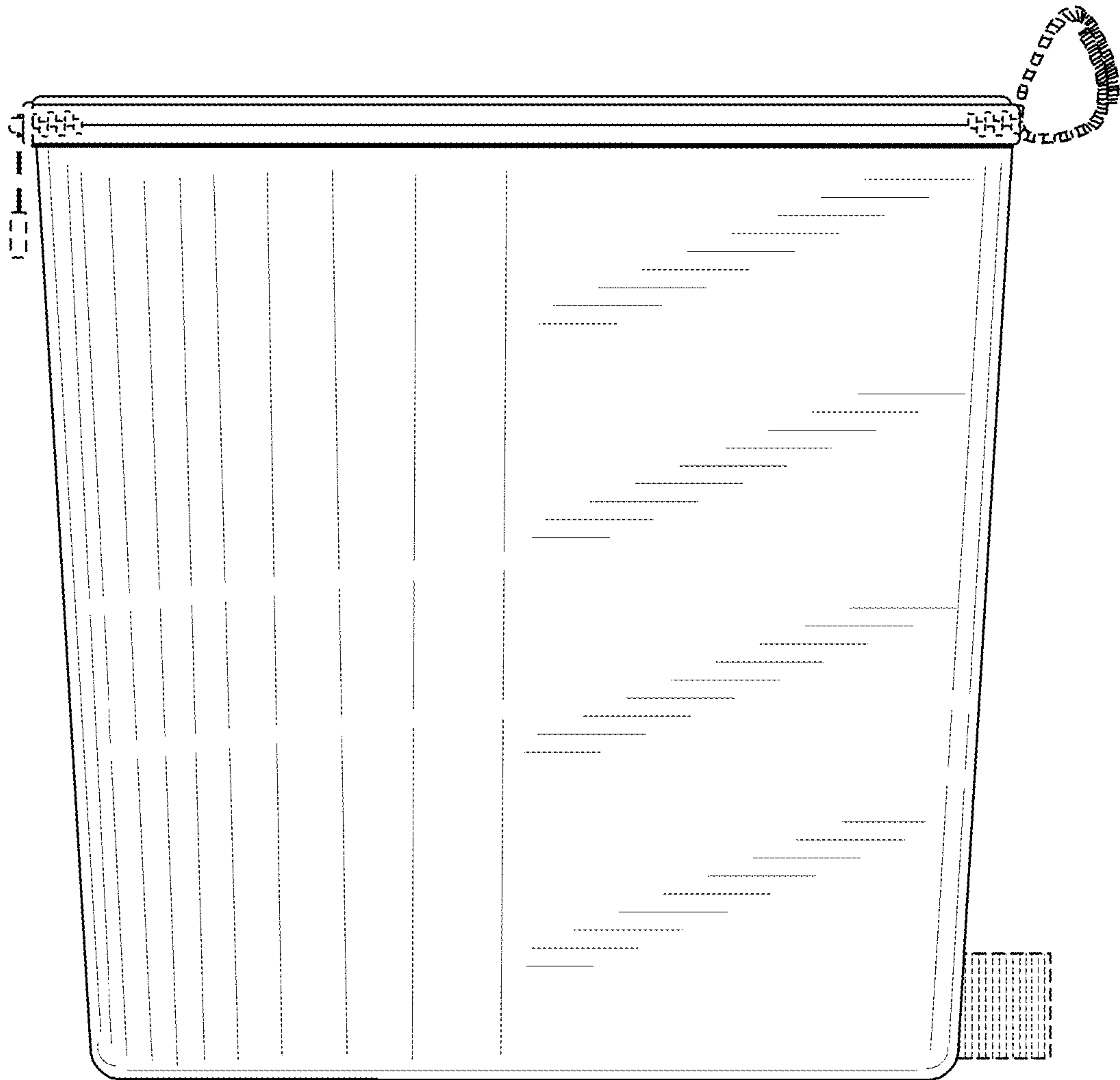


FIG. 4

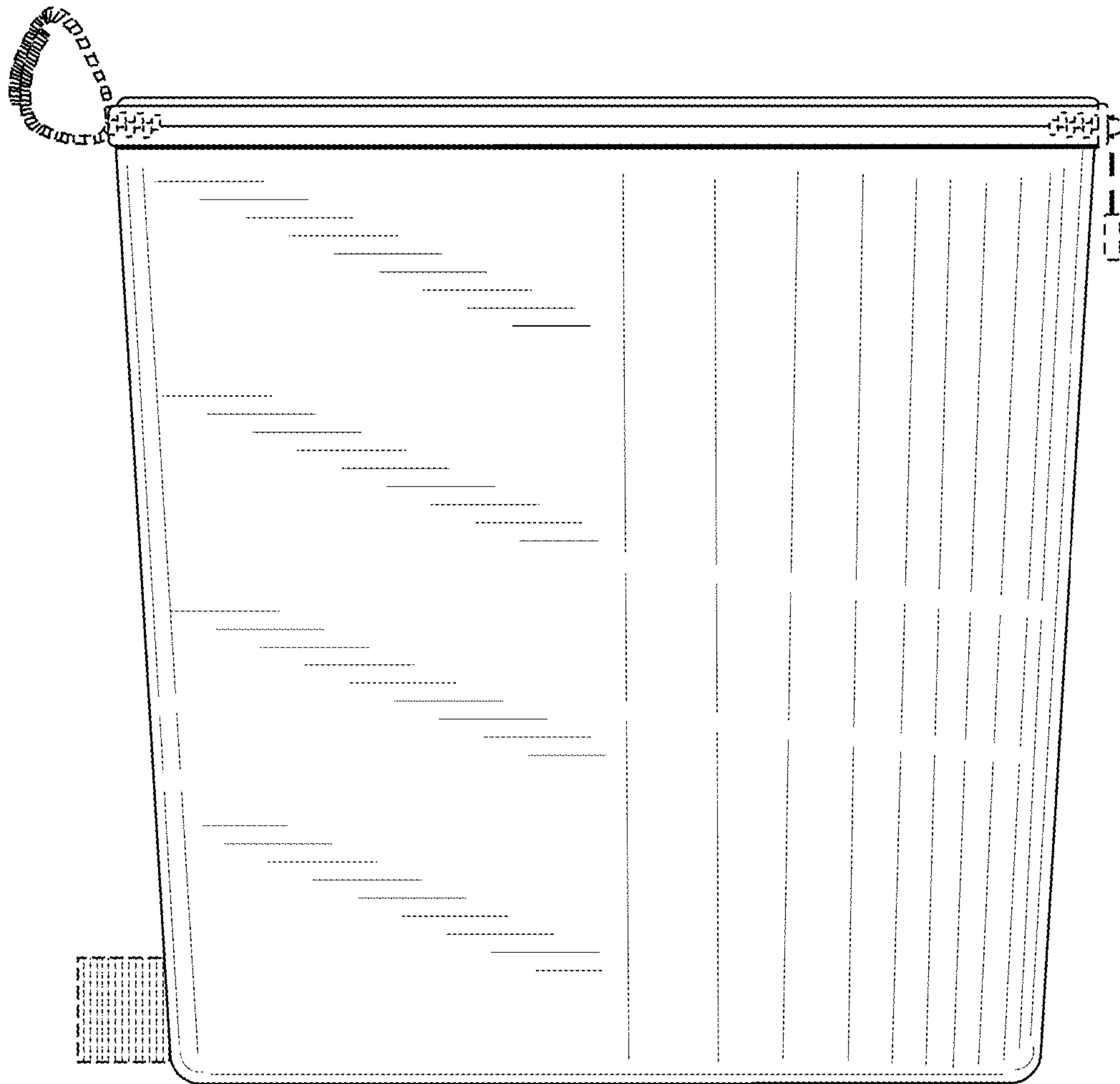


FIG. 5

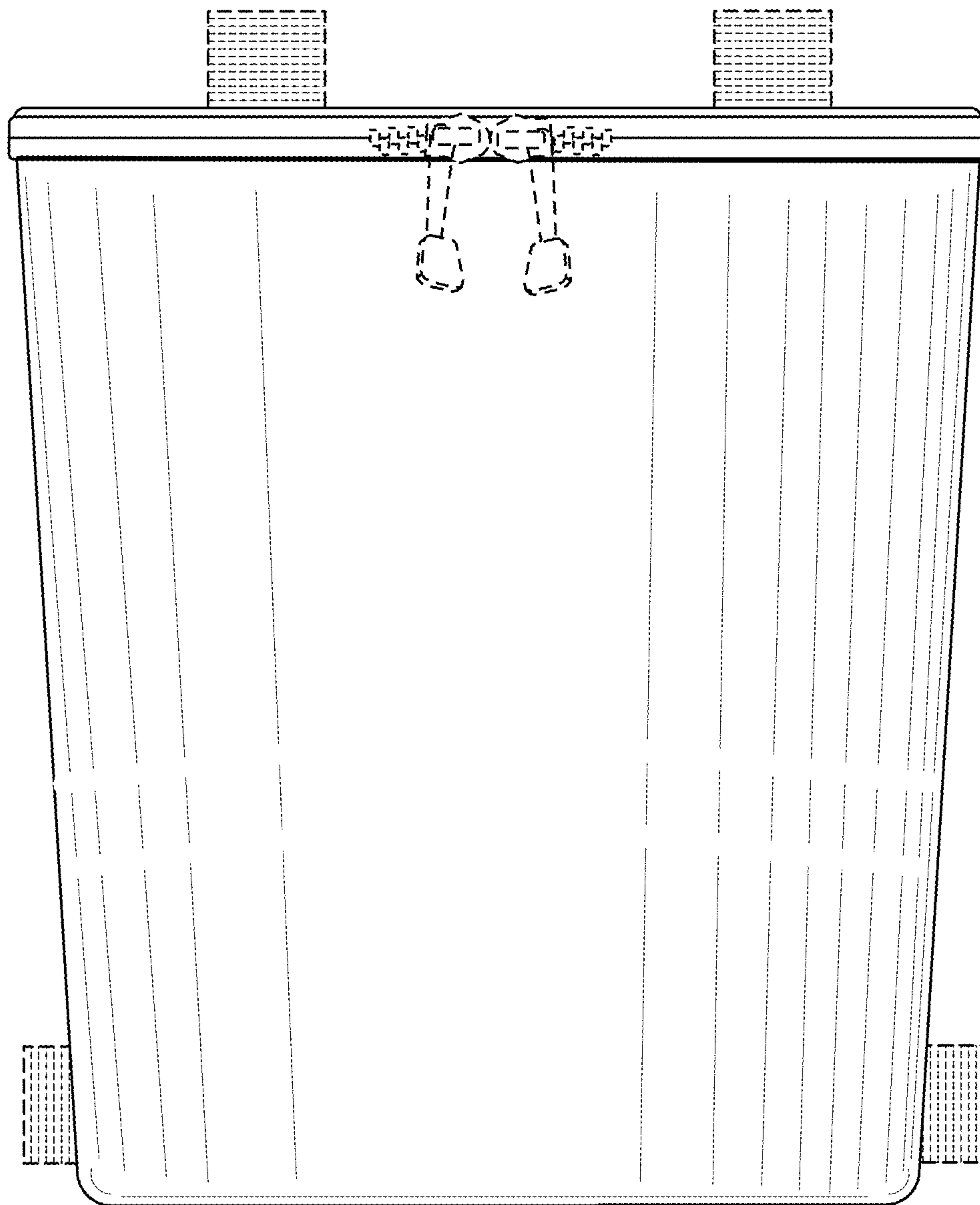


FIG. 6



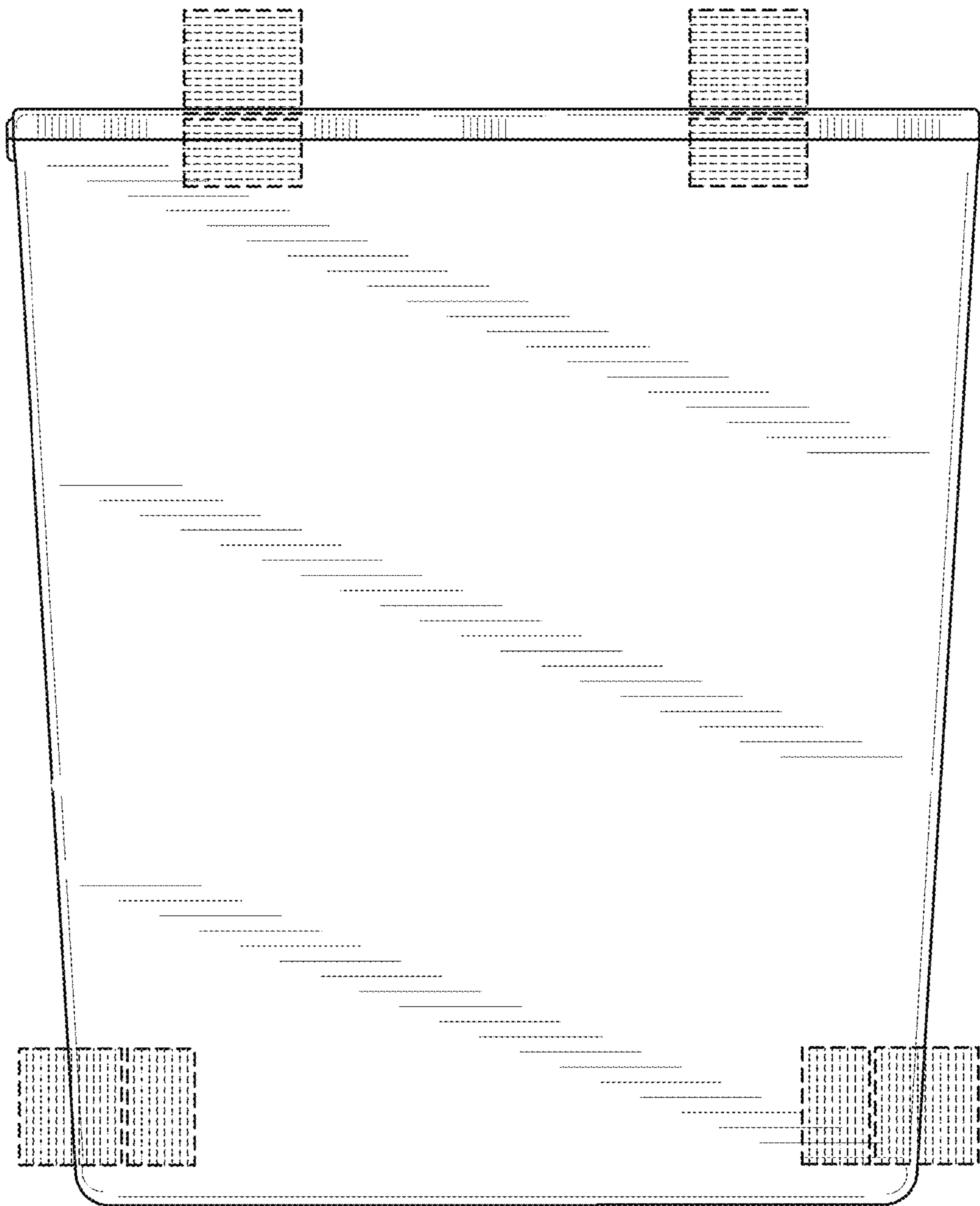


FIG. 7

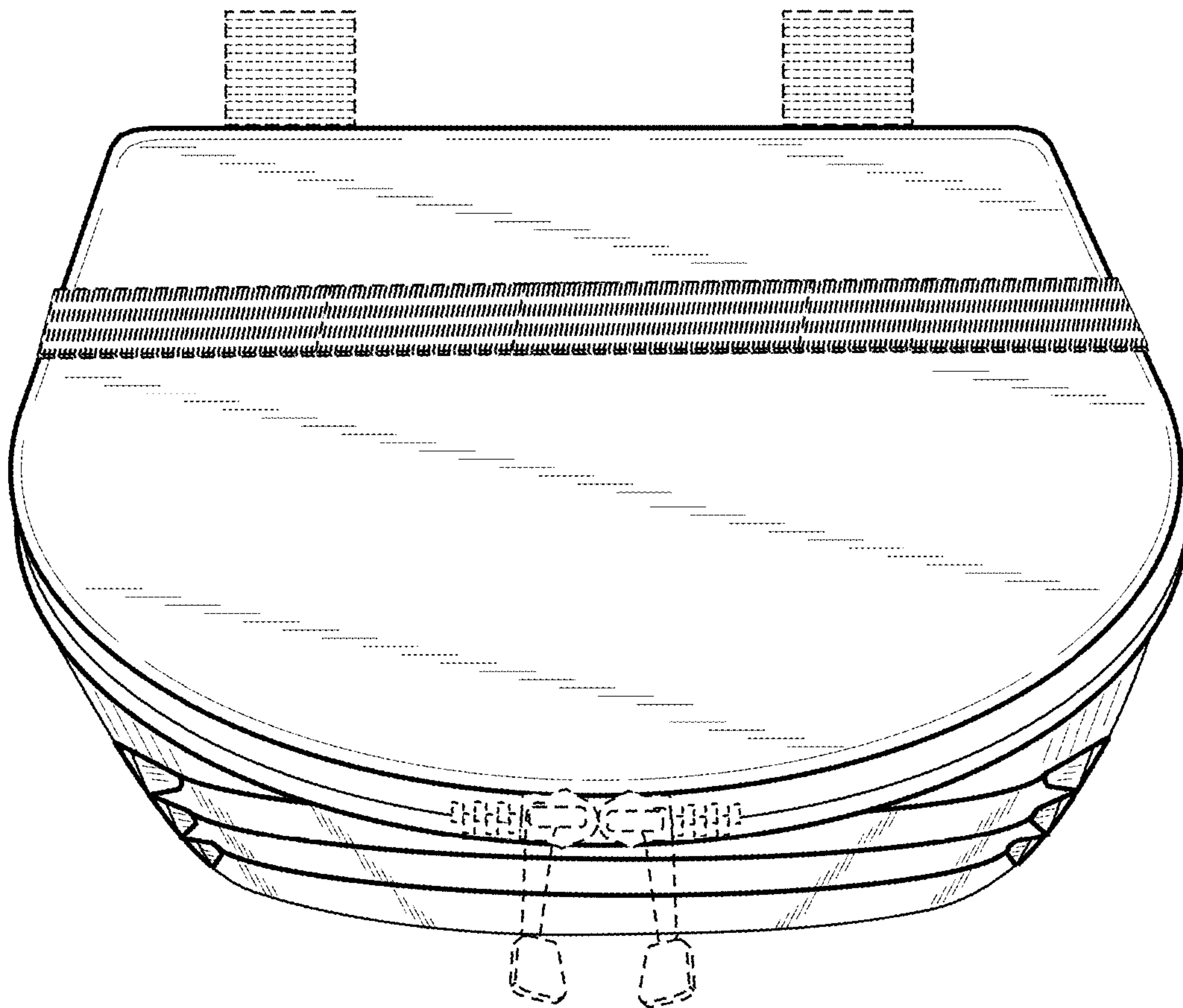


FIG. 8