



US00D803501S

(12) **United States Design Patent** (10) **Patent No.:** **US D803,501 S**
Goodman et al. (45) **Date of Patent:** **** Nov. 21, 2017**

(54) **SINK CRADLE**
(71) Applicant: **SPECTRUM DIVERSIFIED DESIGNS, LLC**, Streetsboro, OH (US)
(72) Inventors: **Sheldon Goodman**, Solon, OH (US); **Xuemei Yuan**, Stow, OH (US)
(73) Assignee: **Spectrum Diversified Designs, LLC**, Streetsboro, OH (US)

D723,760 S * 3/2015 Goodman D32/55
D723,761 S * 3/2015 Goodman D32/55
D734,818 S * 7/2015 Goodman D19/90
D762,035 S * 7/2016 Cooper D32/55
D762,397 S * 8/2016 Goodman D6/537
D764,133 S * 8/2016 Goodman D32/55
D767,841 S * 9/2016 Cotter D32/55
D773,846 S * 12/2016 Chang D6/537

(**) Term: **15 Years**

(21) Appl. No.: **29/585,246**

(22) Filed: **Nov. 22, 2016**

(51) **LOC (10) Cl.** **07-05**

(52) **U.S. Cl.**
USPC **D32/55**

(58) **Field of Classification Search**
USPC D32/55, 276, 3, 58; D6/510, 525, 536, D6/553, 566, 678.4, 537; D30/133; 211/41.5, 41.4, 41.3, 41.8; 361/679.4; 312/311, 333, 334.4; D7/354, 629, 631
CPC A47J 47/20; A47J 2201/00; A47J 47/00; B65D 35/02; B65D 35/22; B65D 35/56
See application file for complete search history.

(56) **References Cited**

U.S. PATENT DOCUMENTS

D453,651 S * 2/2002 Snell D6/537
D563,708 S * 3/2008 Snell D6/566
D578,816 S * 10/2008 Goodman D6/566
D675,049 S * 1/2013 Goodman D6/513
D691,774 S * 10/2013 Goodman D32/55
D692,633 S * 10/2013 Goodman D32/55
D718,510 S * 11/2014 Goodman D32/55

OTHER PUBLICATIONS

Bento Sugar Packet Basket product specifications; <http://www.spectrumdiversified.com/products/bento-sugar-packet-basket>, 2014, 1 page.
<https://www.spectrumdiversified.com/products/Bento-Sugar-Packet-Basket>; Sep. 26, 2016.

* cited by examiner

Primary Examiner — Austin Murphy

(74) *Attorney, Agent, or Firm* — Tucker Ellis LLP; Patrick Clunk

(57) **CLAIM**

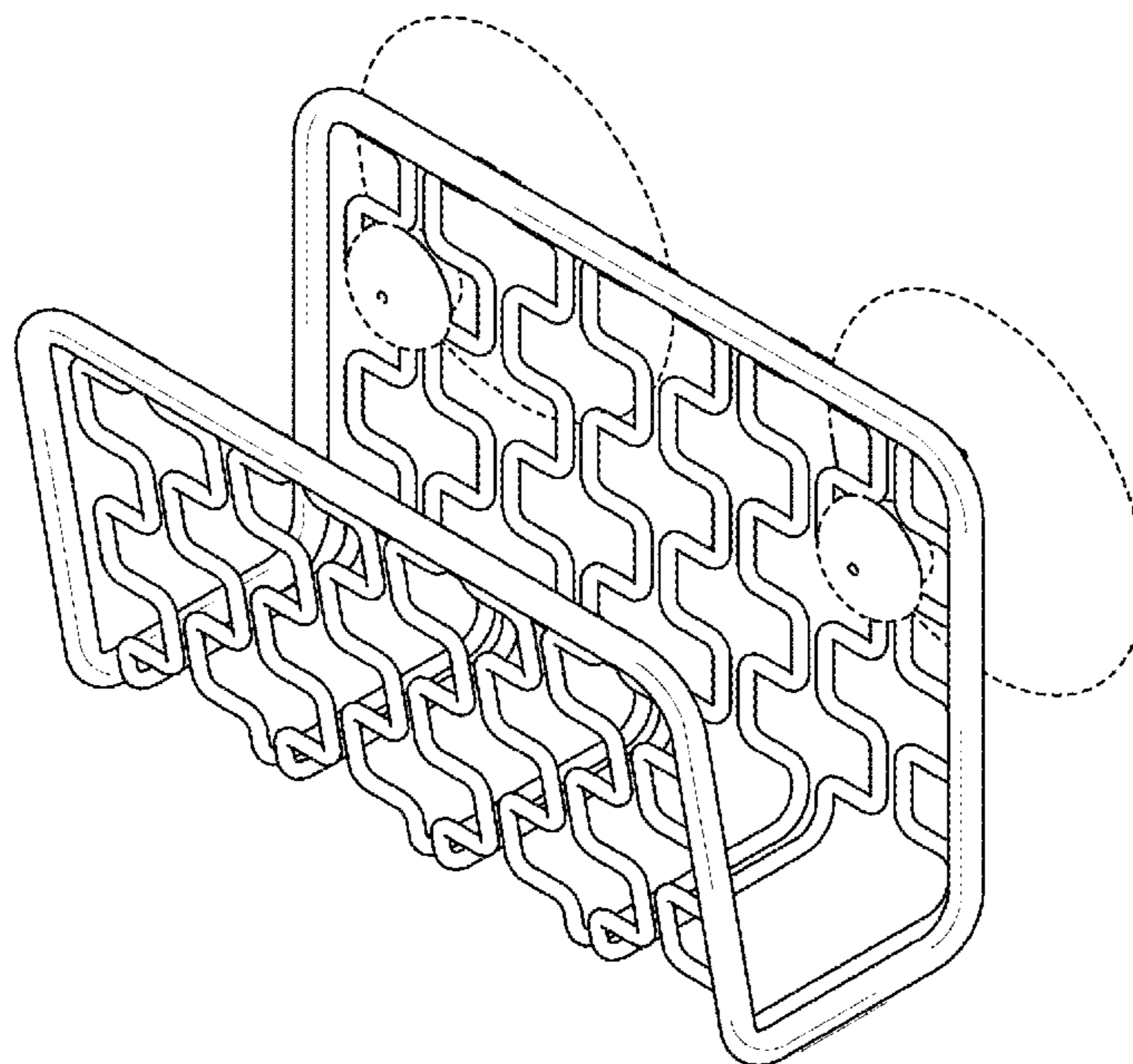
The ornamental design for a sink cradle, as shown and described.

DESCRIPTION

FIG. 1 is a perspective view of a sink cradle showing our new design;
FIG. 2 is a front view thereof;
FIG. 3 is a rear view thereof;
FIG. 4 is a left side view thereof;
FIG. 5 is a right side view thereof;
FIG. 6 is a top view thereof; and,
FIG. 7 is a bottom view thereof.

The broken lines shown herein are for illustrative purposes only and form no part of the claimed design.

1 Claim, 4 Drawing Sheets



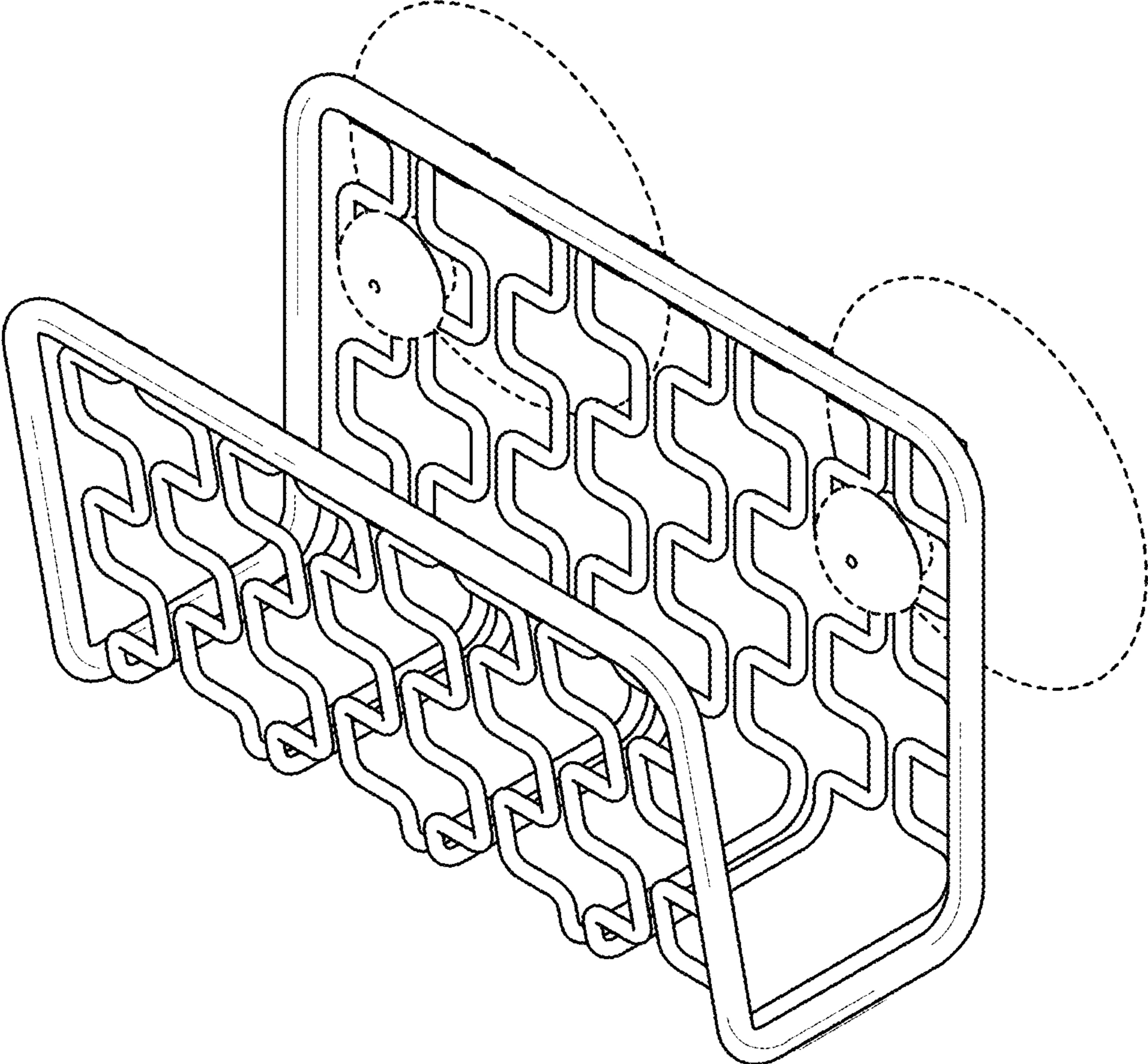


FIG. 1

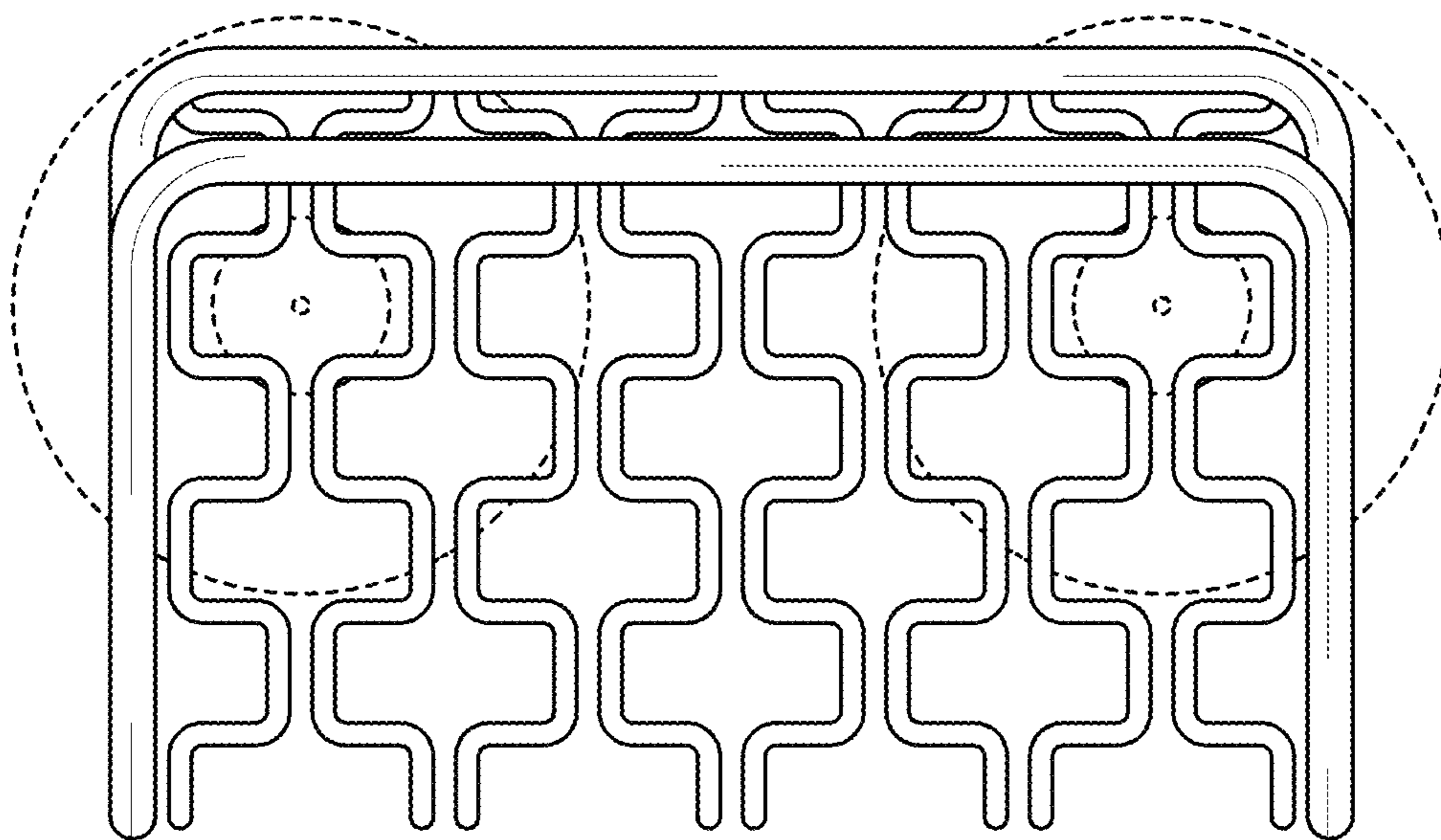


FIG. 2

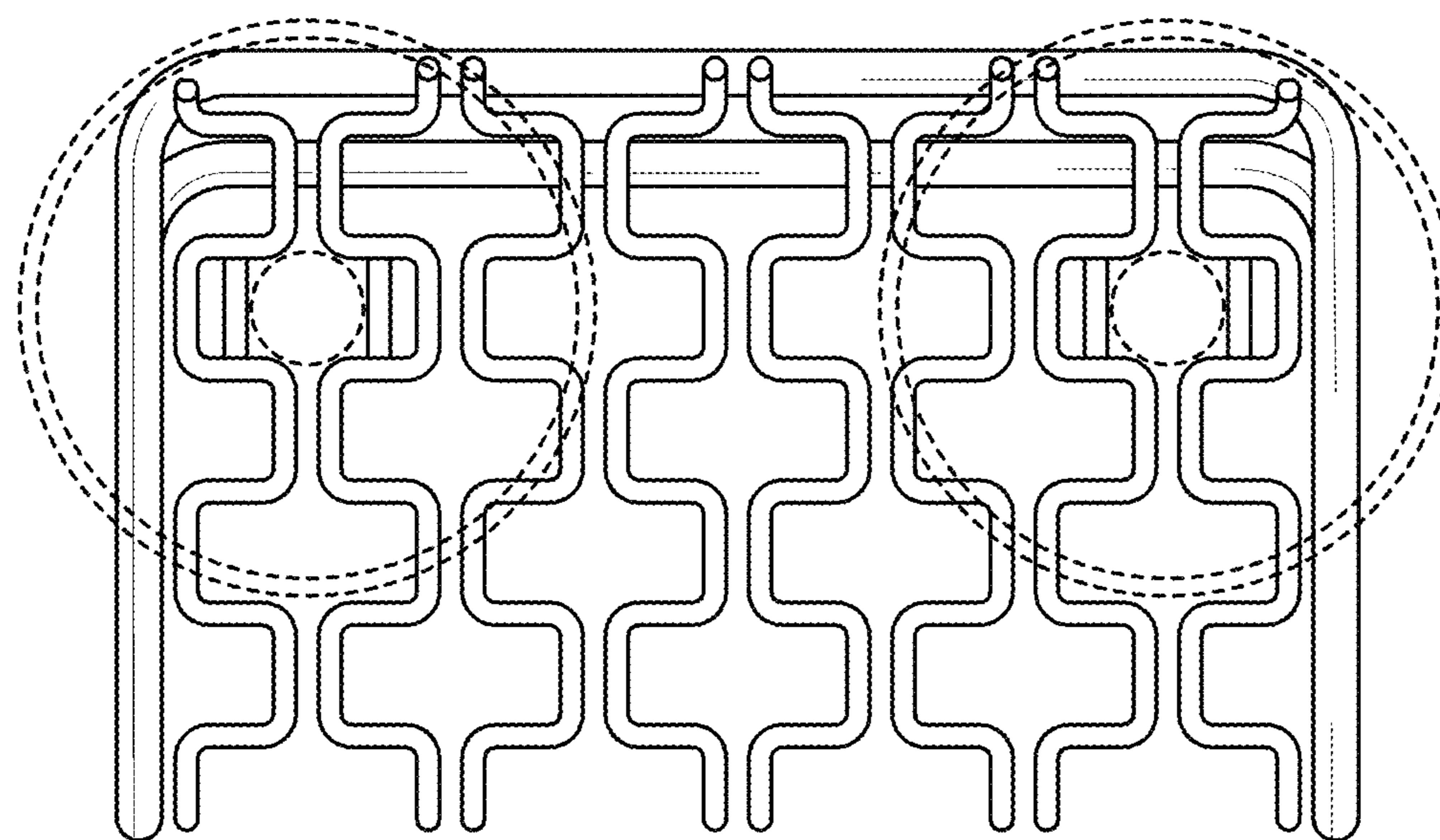


FIG. 3

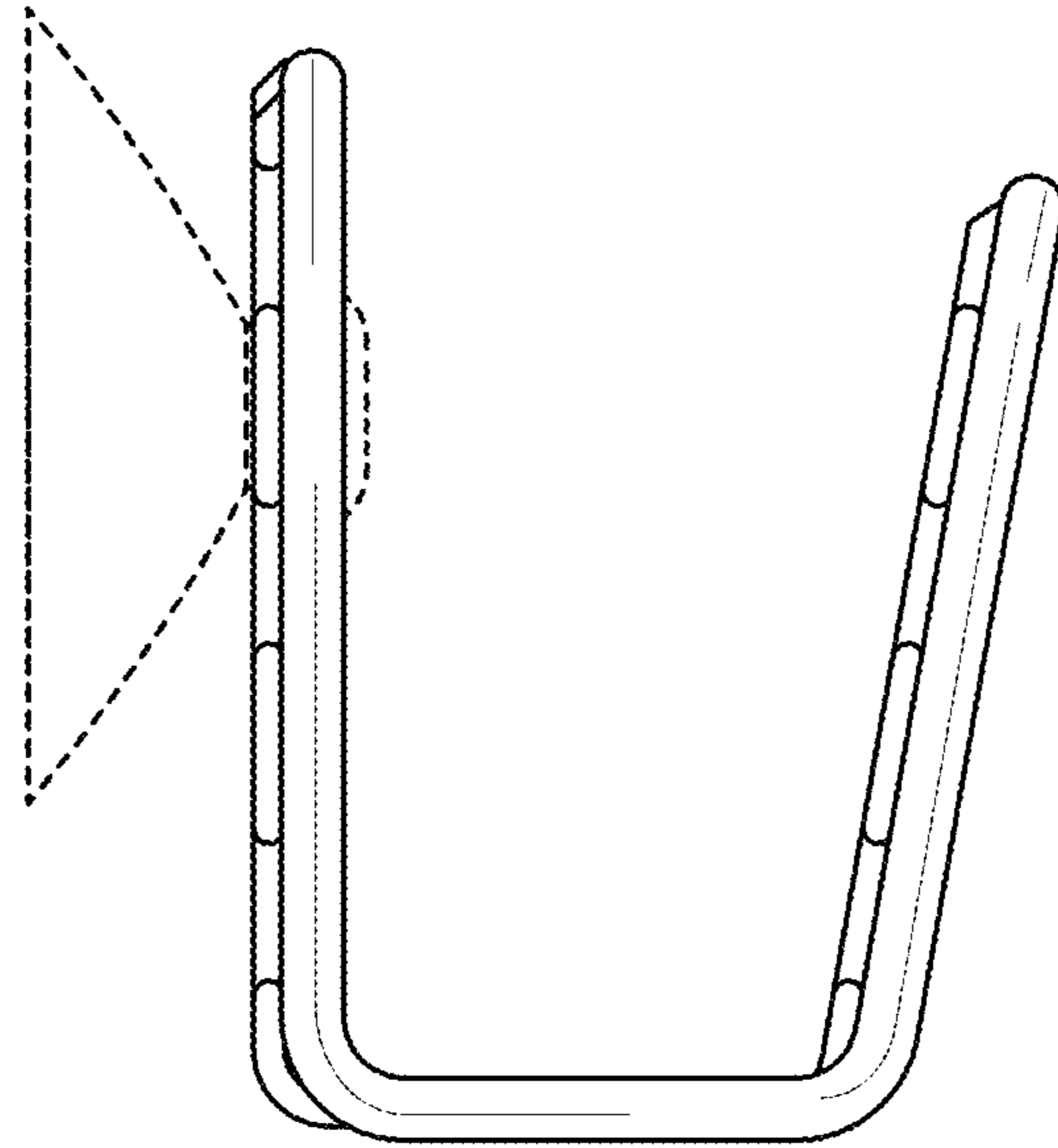


FIG. 4

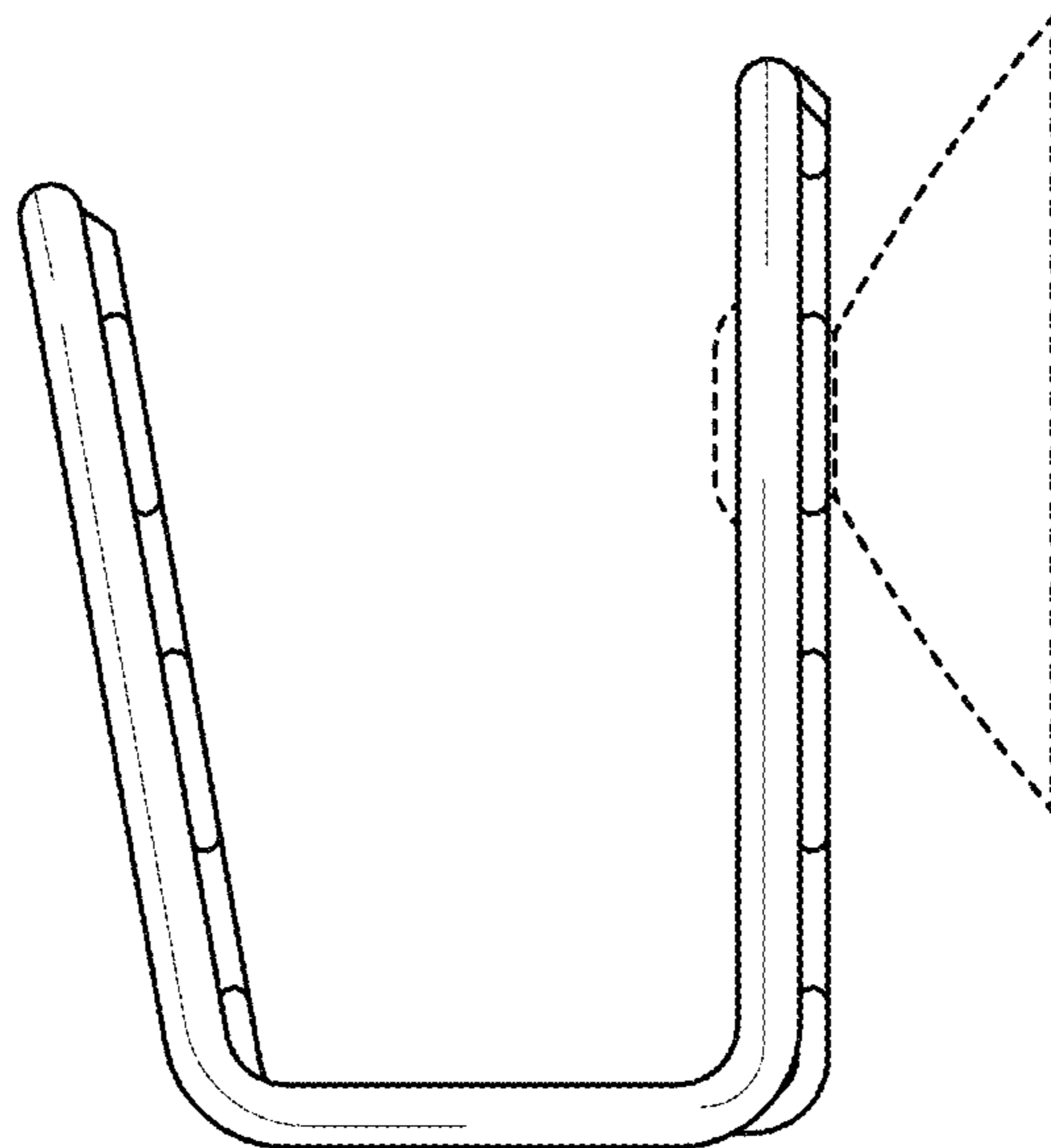


FIG. 5

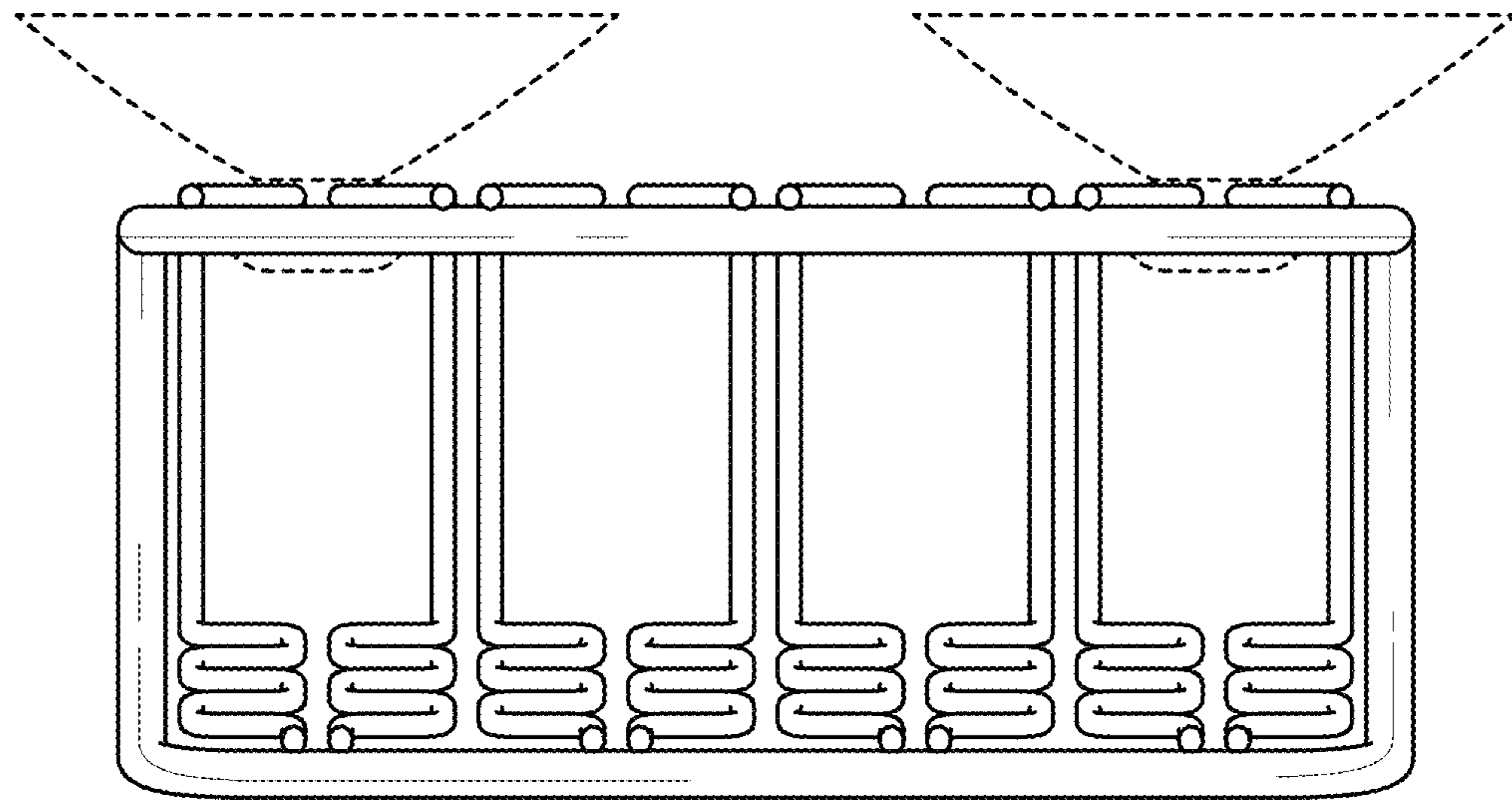


FIG. 6

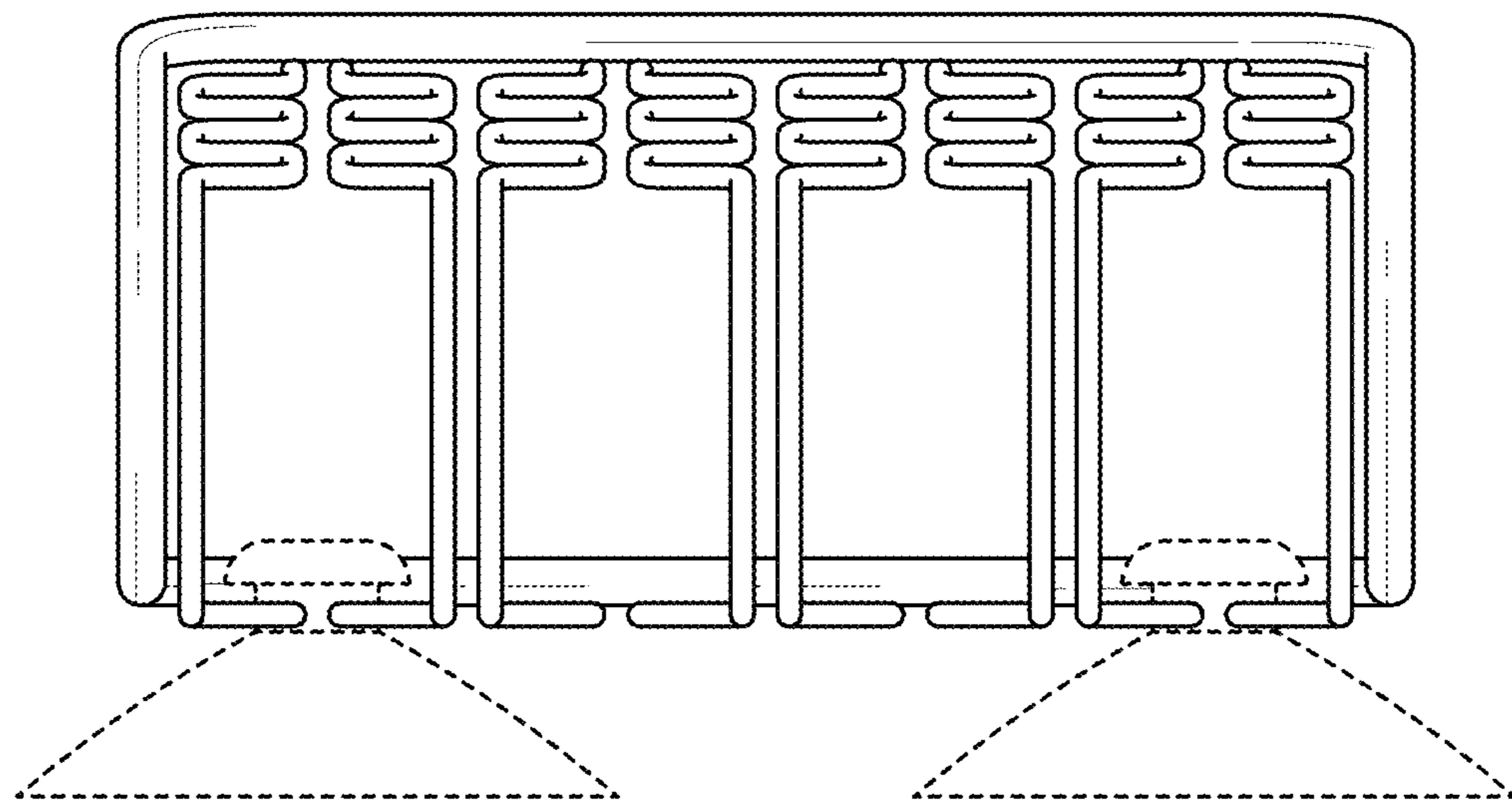


FIG. 7