



US00D803495S

(12) **United States Design Patent** (10) **Patent No.:** **US D803,495 S**  
**Gammack et al.** (45) **Date of Patent:** **\*\* Nov. 21, 2017**

- (54) **PART OF A VACUUM CLEANER**
- (71) Applicant: **Dyson Technology Limited**, Wiltshire (GB)
- (72) Inventors: **Peter David Gammack**, Gloucester (GB); **Charles Geoffrey Box**, Swindon (GB); **David Alan Millington**, Swindon (GB); **Oliver Stanton Blanchard**, Bristol (GB); **Edward Miles Sims**, Bristol (GB)
- (73) Assignee: **Dyson Technology Limited**, Malmesbury, Wiltshire (GB)

D552,309 S	10/2007	Houghton	
7,370,387 B2	5/2008	Walker et al.	
D595,462 S	6/2009	Crawley	
7,877,837 B2	2/2011	Gammack et al.	
D640,847 S	6/2011	Houghton	
D641,113 S	7/2011	Choi et al.	
D642,755 S *	8/2011	Fjellman	..... D32/34
D668,405 S	10/2012	Crawley	
D670,056 S *	10/2012	Ventress	..... D32/34
8,595,895 B2	12/2013	Smith	
D725,327 S	3/2015	Houghton	
D725,852 S	3/2015	Houghton	
D726,383 S	4/2015	Milligan	
D729,470 S	5/2015	Choi et al.	

(Continued)

- (\*\*) Term: **15 Years**
- (21) Appl. No.: **29/576,420**
- (22) Filed: **Sep. 2, 2016**

- (30) **Foreign Application Priority Data**
- Mar. 4, 2016 (EM) ..... 003013705-0006
- (51) **LOC (10) Cl.** ..... **15-05**
- (52) **U.S. Cl.**
- USPC ..... **D32/34**
- (58) **Field of Classification Search**
- USPC ..... D32/18, 21-22, 31, 34
- CPC . A47L 5/24; A47L 5/362; A47L 5/365; A47L 5/28; A47L 5/225; A47L 9/322; A47L 9/325; A47L 9/28; A47L 9/32; A47L 9/327
- See application file for complete search history.

- (56) **References Cited**
- U.S. PATENT DOCUMENTS
- D333,023 S \* 2/1993 Herron, Jr. .... D32/34
- D334,447 S \* 3/1993 Rohn ..... D32/34
- 7,000,288 B2 \* 2/2006 Nighy ..... A47L 9/327
- D522,191 S 5/2006 Erlich 15/327.1

OTHER PUBLICATIONS

Gammack et al., U.S. Office Action dated May 24, 2017, directed to U.S. Appl. No. 29/576,415; 7 pages.

(Continued)

Primary Examiner — Ruth McInroy  
(74) Attorney, Agent, or Firm — Morrison & Foerster LLP

- (57) **CLAIM**
- We claim the ornamental design for a part of a vacuum cleaner, as shown and described.

DESCRIPTION

FIG. 1 is a perspective view of a part of a vacuum cleaner showing our new design;

FIG. 2 is a side view thereof;

FIG. 3 is a side view of the opposite side of FIG. 2;

FIG. 4 is a top view thereof;

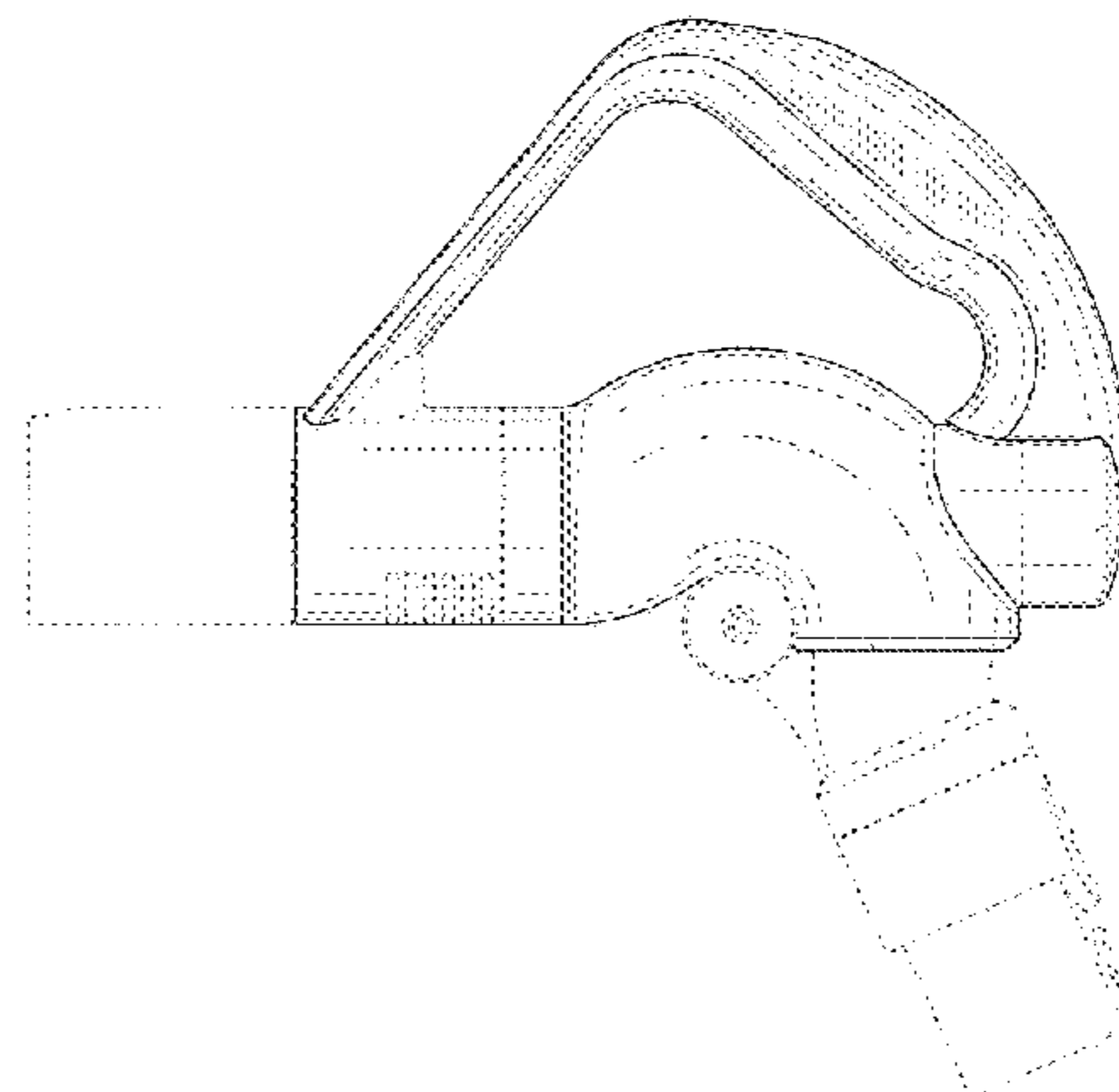
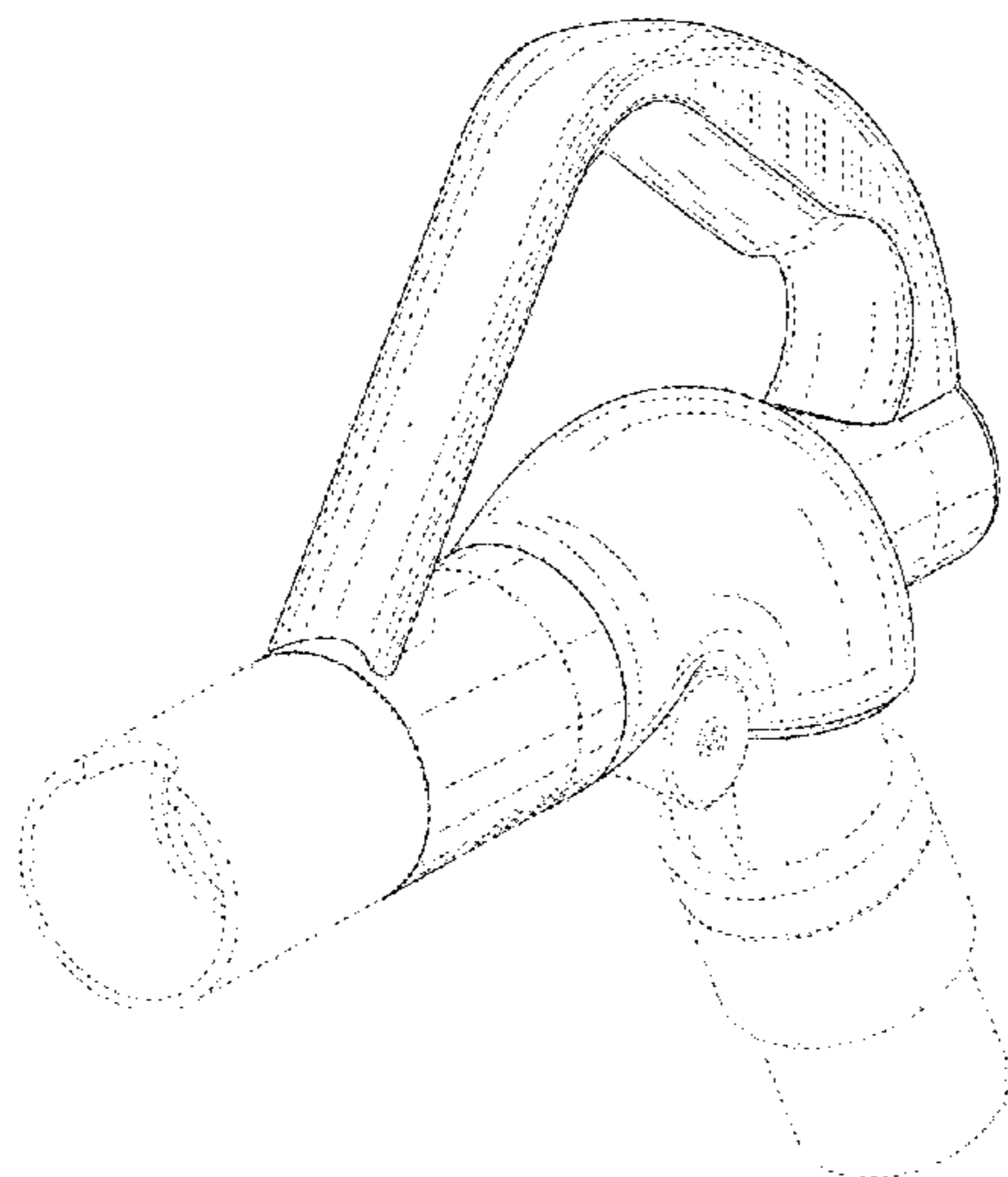
FIG. 5 is a bottom thereof;

FIG. 6 is a front view thereof; and,

FIG. 7 is a rear view thereof.

The details shown in broken lines form no part of the claimed design.

1 Claim, 5 Drawing Sheets



(56)

**References Cited**

U.S. PATENT DOCUMENTS

D730,599 S 5/2015 Uim et al.  
D731,725 S \* 6/2015 Jang ..... D32/34  
9,055,848 B2 6/2015 Liu et al.  
D739,622 S \* 9/2015 Johnson ..... D32/34  
9,144,358 B2 9/2015 Smith  
9,265,395 B2 2/2016 Conrad  
D769,557 S \* 10/2016 Johnson ..... D32/22  
9,480,373 B2 \* 11/2016 Conrad ..... A47L 5/225  
D779,754 S \* 2/2017 Miyazaki ..... D32/34  
D781,011 S 3/2017 Bu et al.

OTHER PUBLICATIONS

Gammack et al., U.S. Office Action dated May 24, 2017, directed to U.S. Appl. No. 29/576,416; 7 pages.

Gammack et al., U.S. Office Action dated May 24, 2017, directed to U.S. Appl. No. 29/576,419; 7 pages.

Gammack et al., U.S. Office Action dated Jun. 20, 2017, directed to U.S. Appl. No. 29/576,422; 6 pages.

Gammack et al., U.S. Office Action dated Jun. 20, 2017, directed to U.S. Appl. No. 29/576,424; 6 pages.

\* cited by examiner

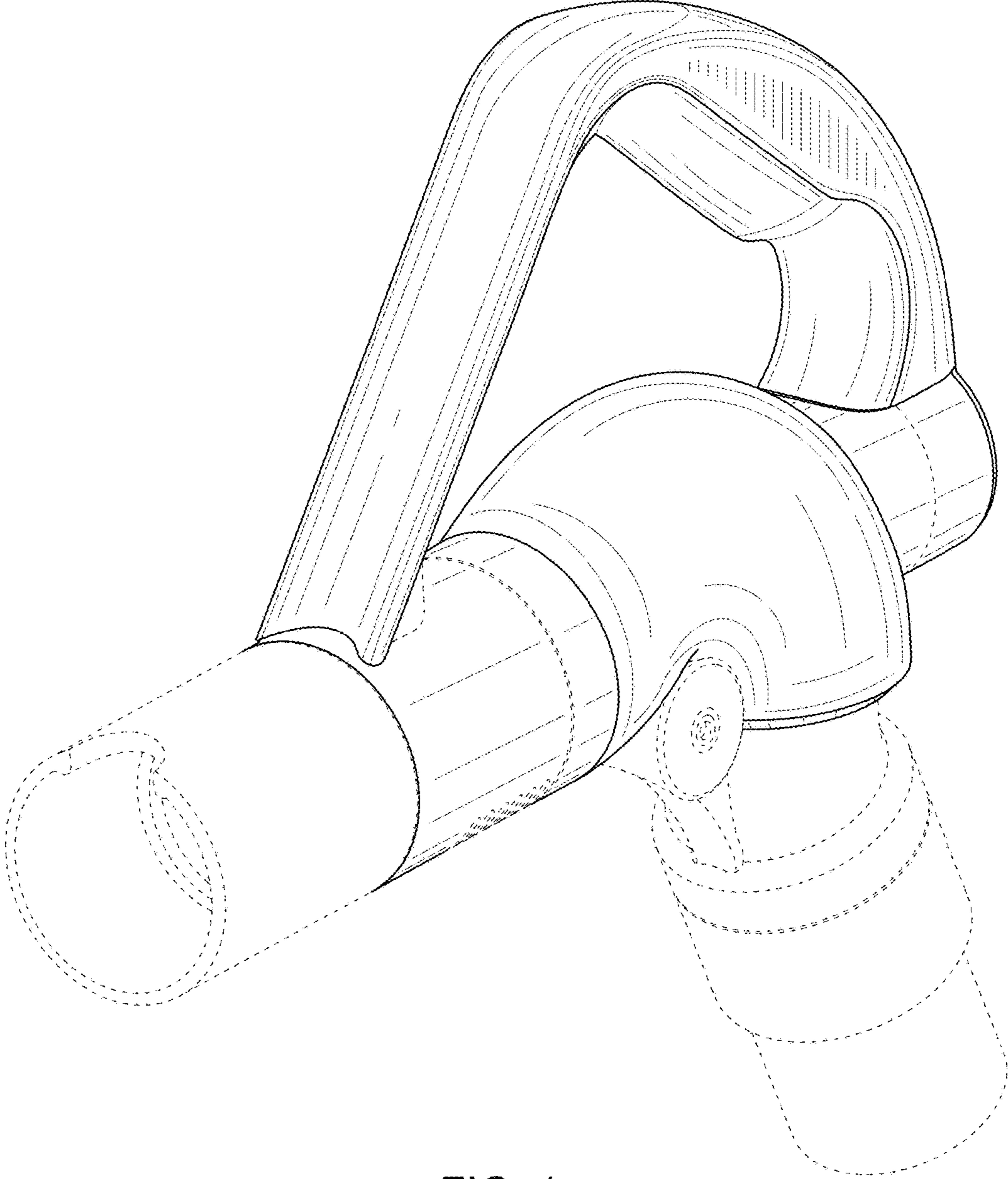


FIG. 1

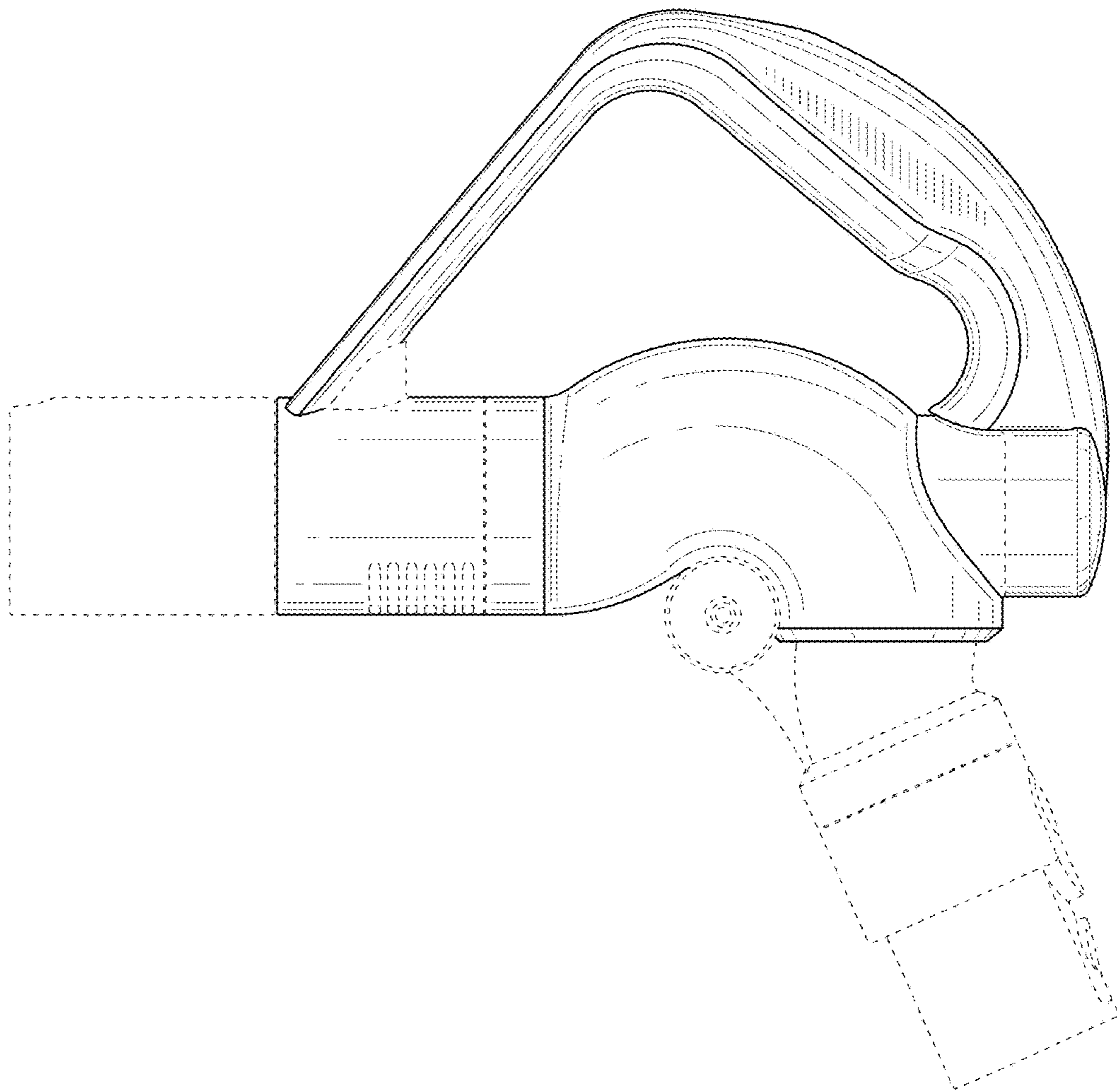


FIG. 2

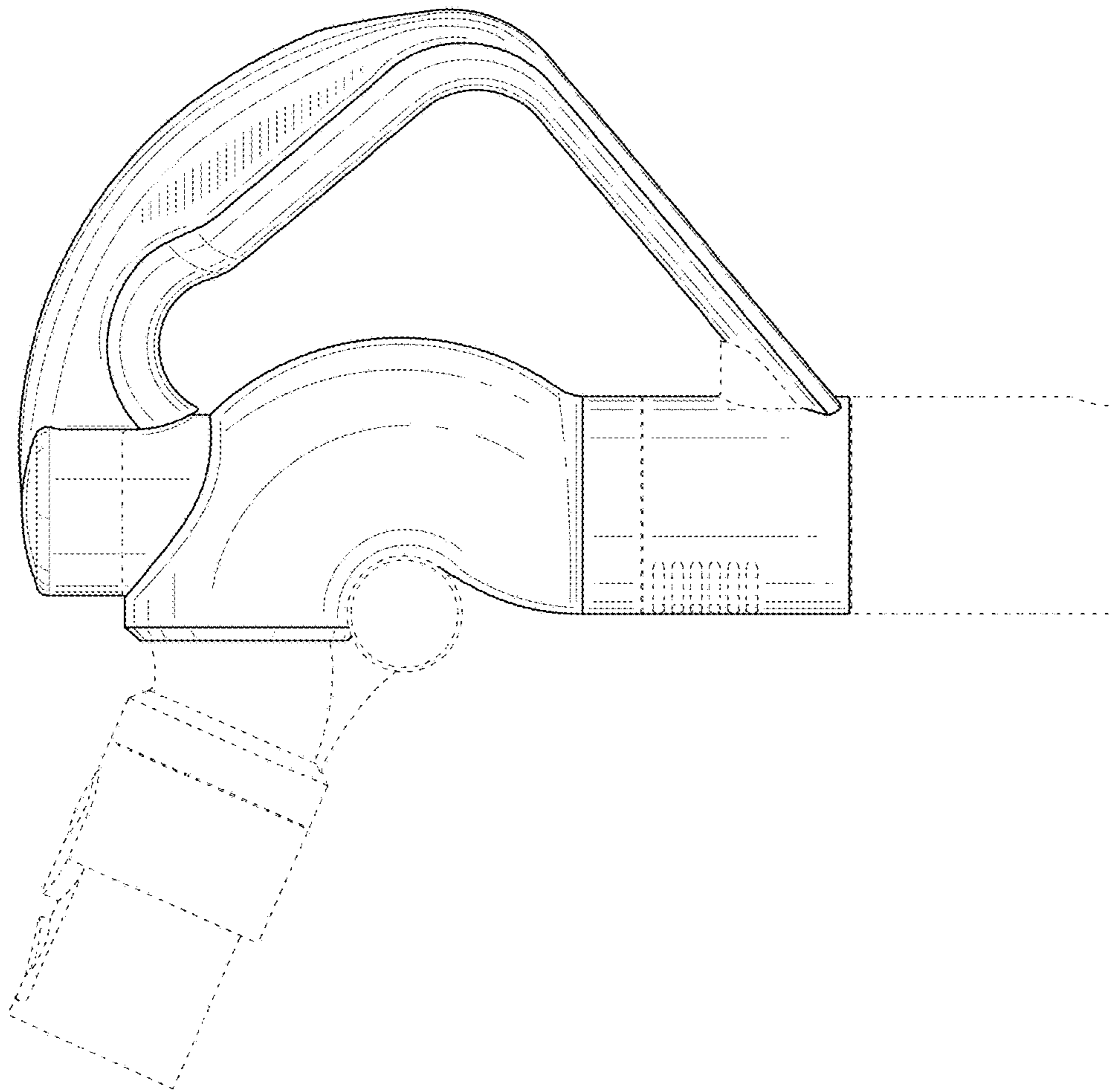


FIG. 3



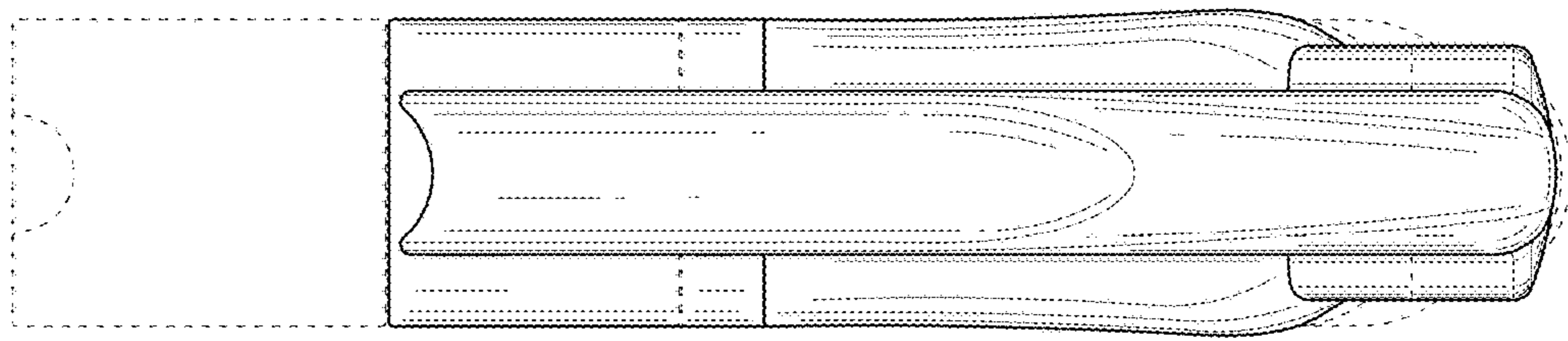


FIG. 4

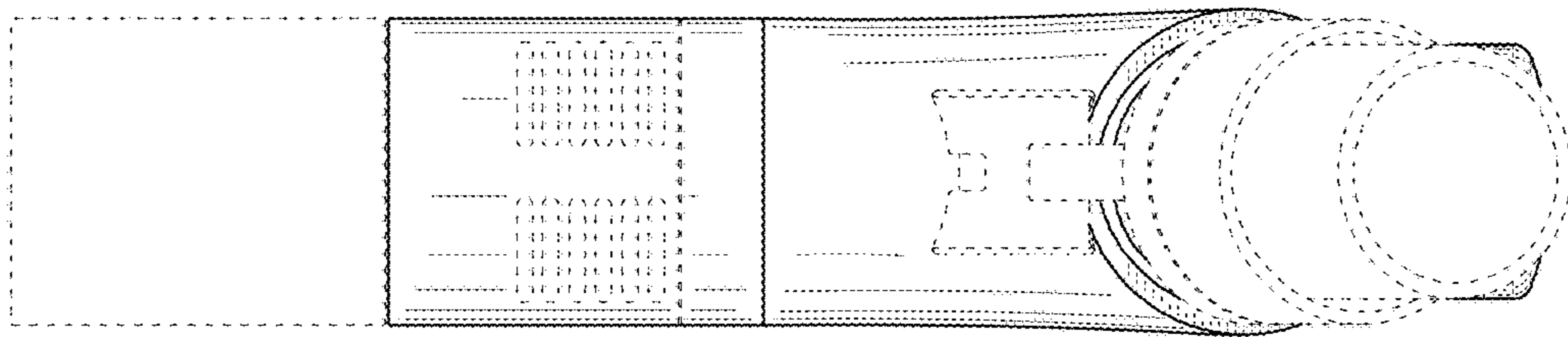


FIG. 5

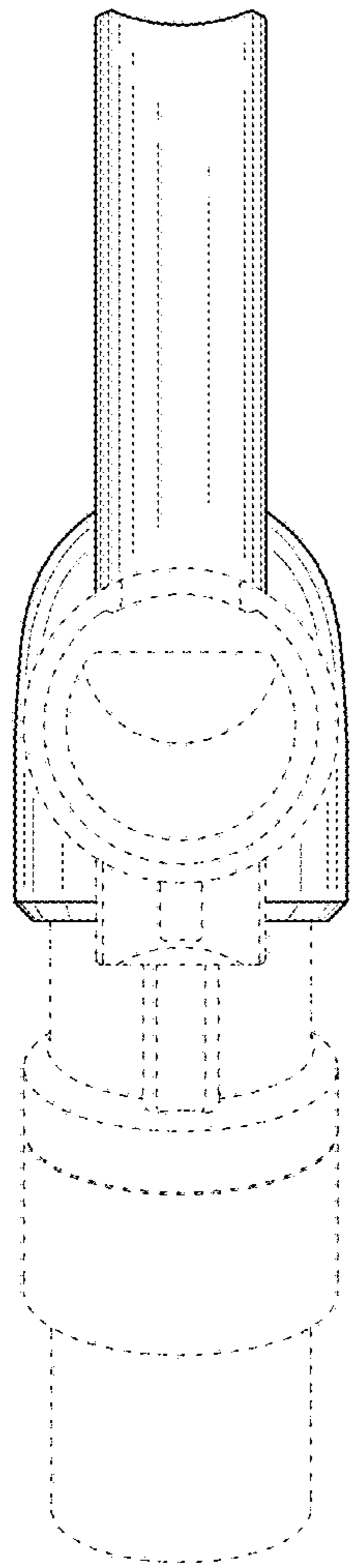


FIG. 6

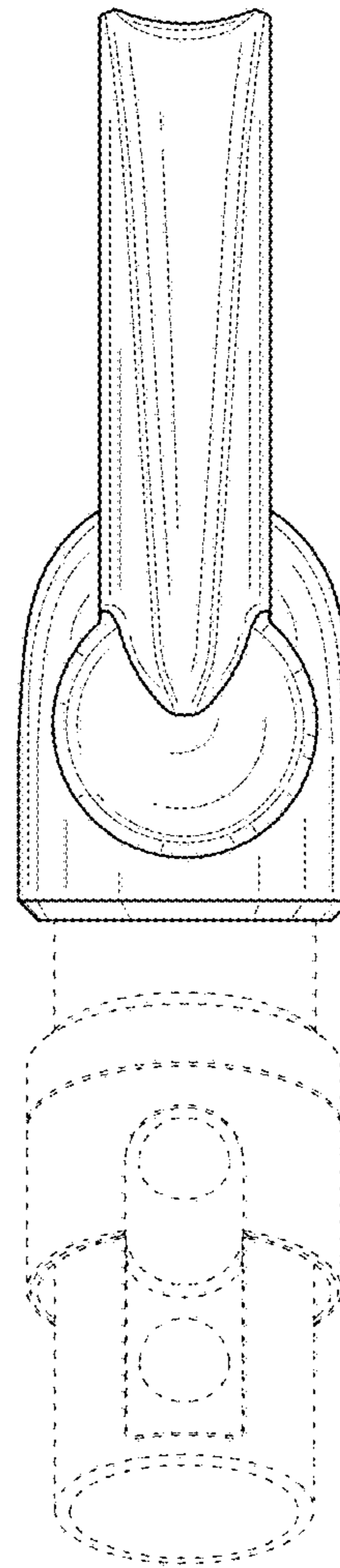


FIG. 7