



US00D803494S

(12) **United States Design Patent** (10) **Patent No.:** **US D803,494 S**
Miyazaki et al. (45) **Date of Patent:** **** Nov. 21, 2017**

(54) **HEAD FOR VACUUM CLEANER**
(71) Applicant: **Samsung Electronics Co., Ltd.**,
Suwon-si, Gyeonggi-do (KR)
(72) Inventors: **Hirohisa Miyazaki**, Tokyo (JP);
Keiichi Minamide, Tokyo (JP);
Mitsuhiro Shigeri, Yokohama (JP);
Masato Suzuki, Saitama (JP)
(73) Assignee: **SAMSUNG ELECTRONICS CO.,**
LTD, Gyeonggi-Do (KR)
(**) Term: **15 Years**
(21) Appl. No.: **29/549,989**
(22) Filed: **Dec. 29, 2015**
(30) **Foreign Application Priority Data**

Jul. 1, 2015 (KR) 30-2015-0033219
(51) **LOC (10) Cl.** **15-05**
(52) **U.S. Cl.**
USPC **D32/32**
(58) **Field of Classification Search**
USPC D8/396; D32/31-33
CPC F16M 13/02; A24F 19/092; F16L 27/12;
A47L 9/242; A47L 9/02; A47L 5/362;
A47L 5/28; A47L 5/34; A47L 5/30; A47G
25/66; E04H 4/1654
See application file for complete search history.

(56) **References Cited**
U.S. PATENT DOCUMENTS
D457,696 S * 5/2002 Worwag D32/32
D543,669 S * 5/2007 Ikeno D32/32

D616,165 S * 5/2010 McLeod D32/32
D678,635 S * 3/2013 Gammack D32/32
D686,379 S * 7/2013 Kim D32/32
D700,759 S * 3/2014 Wu D32/32
D709,658 S * 7/2014 Griffin D32/33
D725,332 S * 3/2015 Yoshitomi D32/33
D741,560 S * 10/2015 Bennett D32/32
D751,780 S * 3/2016 Courtney D32/33
D770,110 S * 10/2016 Okada D32/32
D778,017 S * 1/2017 Park D32/32

* cited by examiner
Primary Examiner — Ruth McInroy
(74) *Attorney, Agent, or Firm* — Cantor Colburn LLP

(57) **CLAIM**

The ornamental design for a head for a vacuum cleaner, as shown and described.

DESCRIPTION

FIG. 1 is a front perspective view of a head for vacuum cleaner, showing our new design;
FIG. 2 is a front view thereof;
FIG. 3 is a rear view thereof;
FIG. 4 is a left-side view thereof;
FIG. 5 is a right-side view thereof;
FIG. 6 is a top view thereof;
FIG. 7 is a bottom view thereof; and,
FIG. 8 is a right-side view thereof showing another environmental use.
The details shown in broken lines form no part of the claimed design.

1 Claim, 5 Drawing Sheets

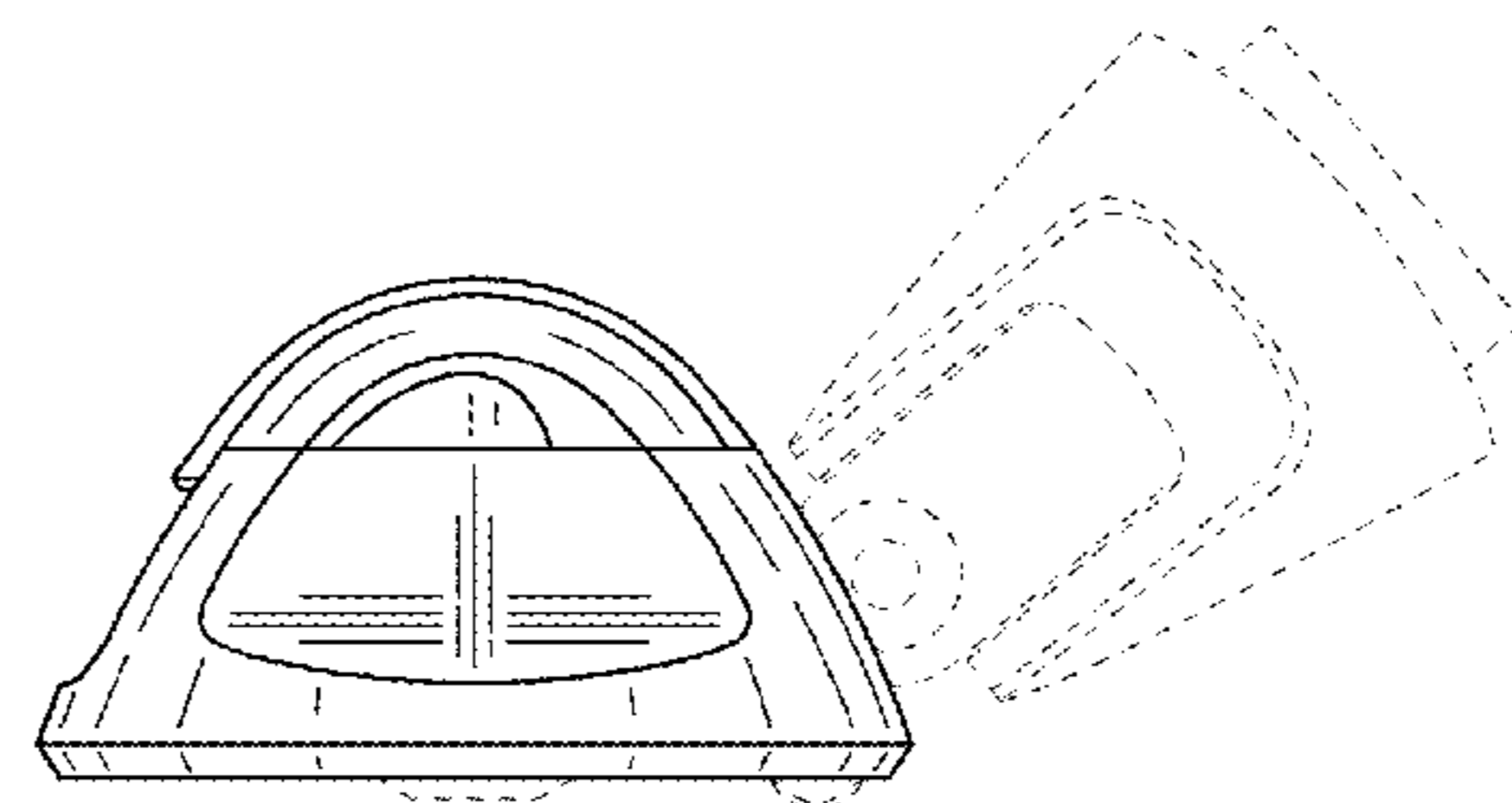
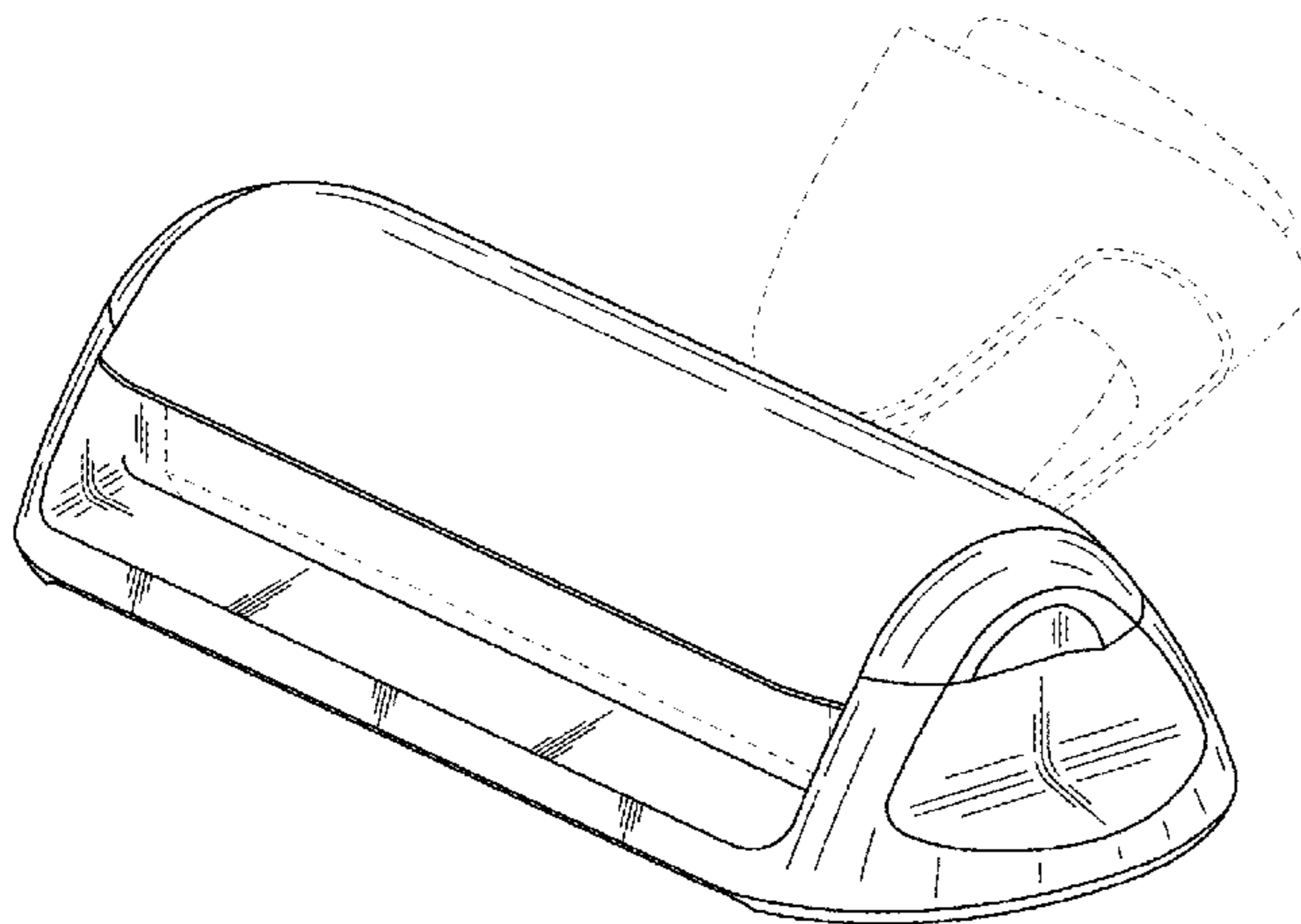


FIG.1

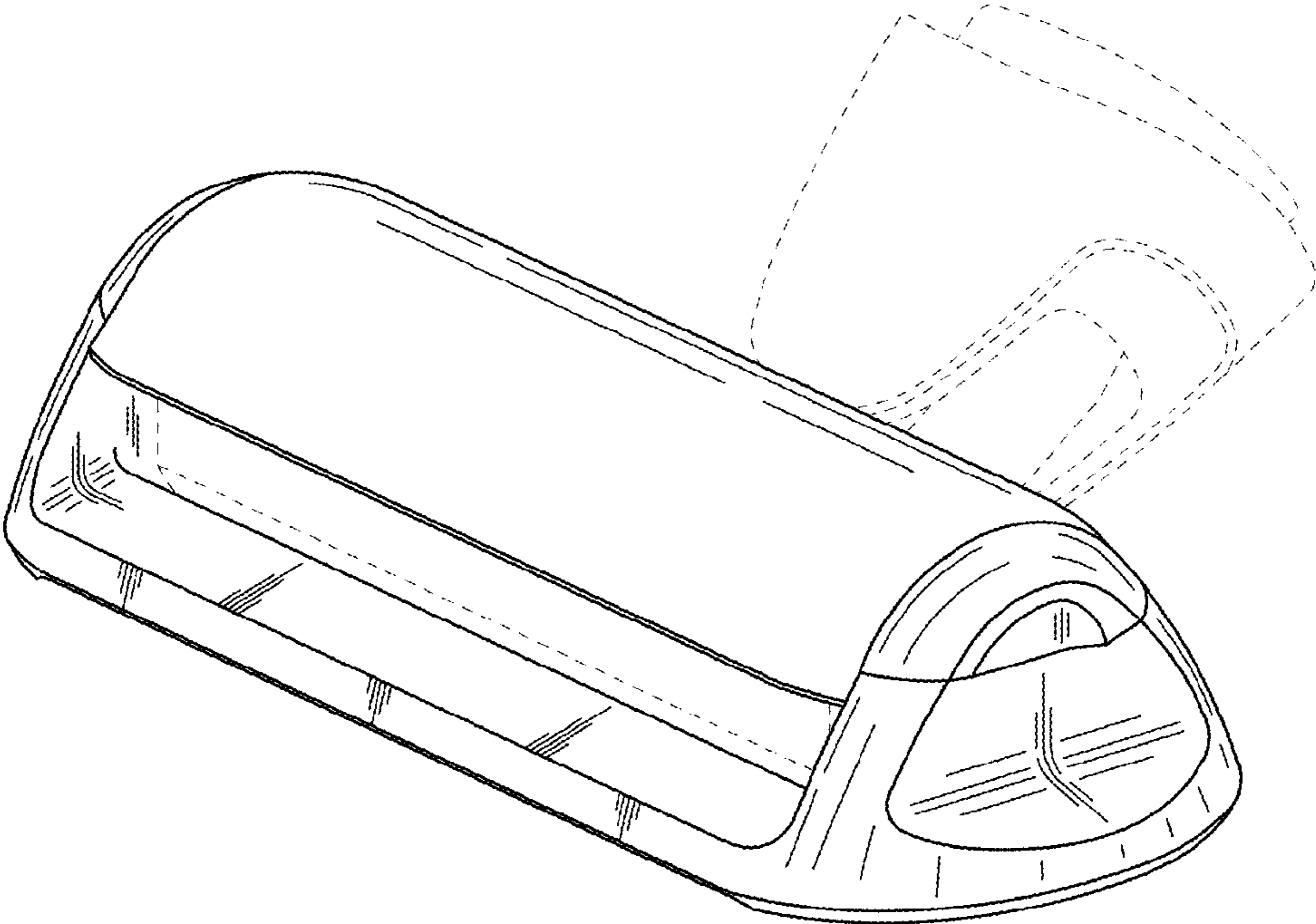


FIG.2

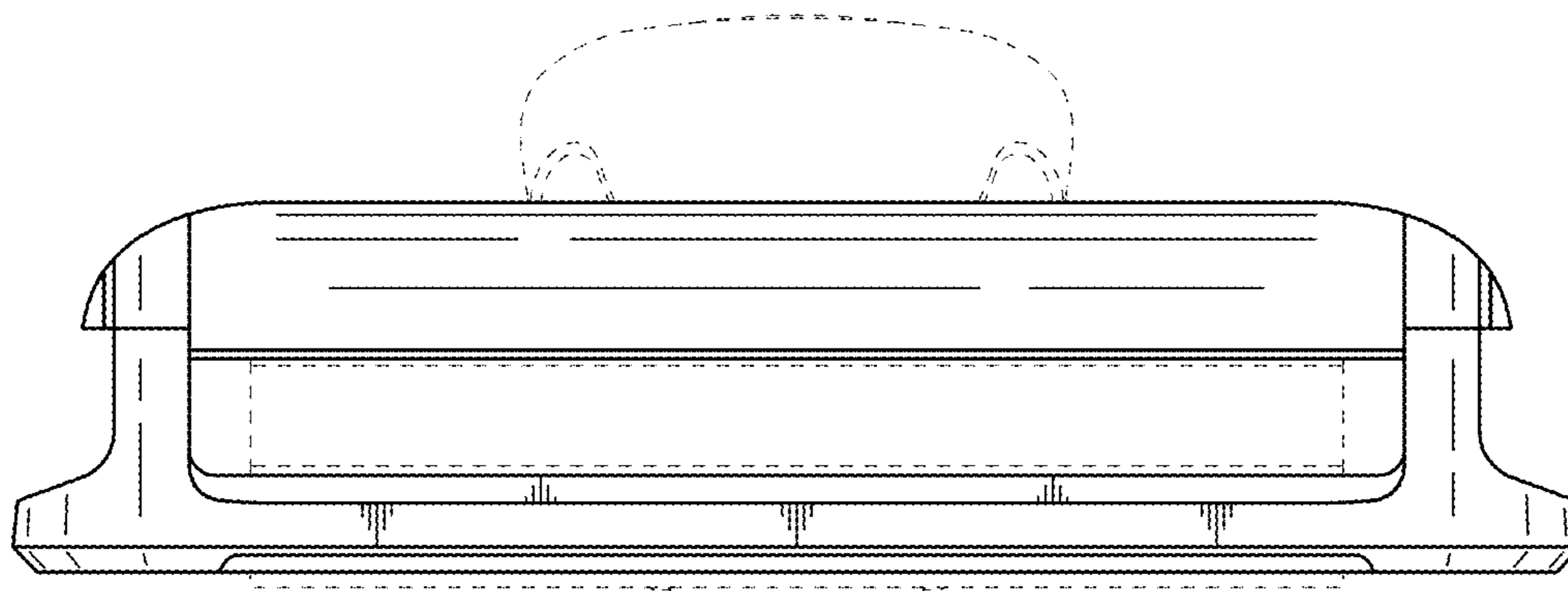


FIG.3

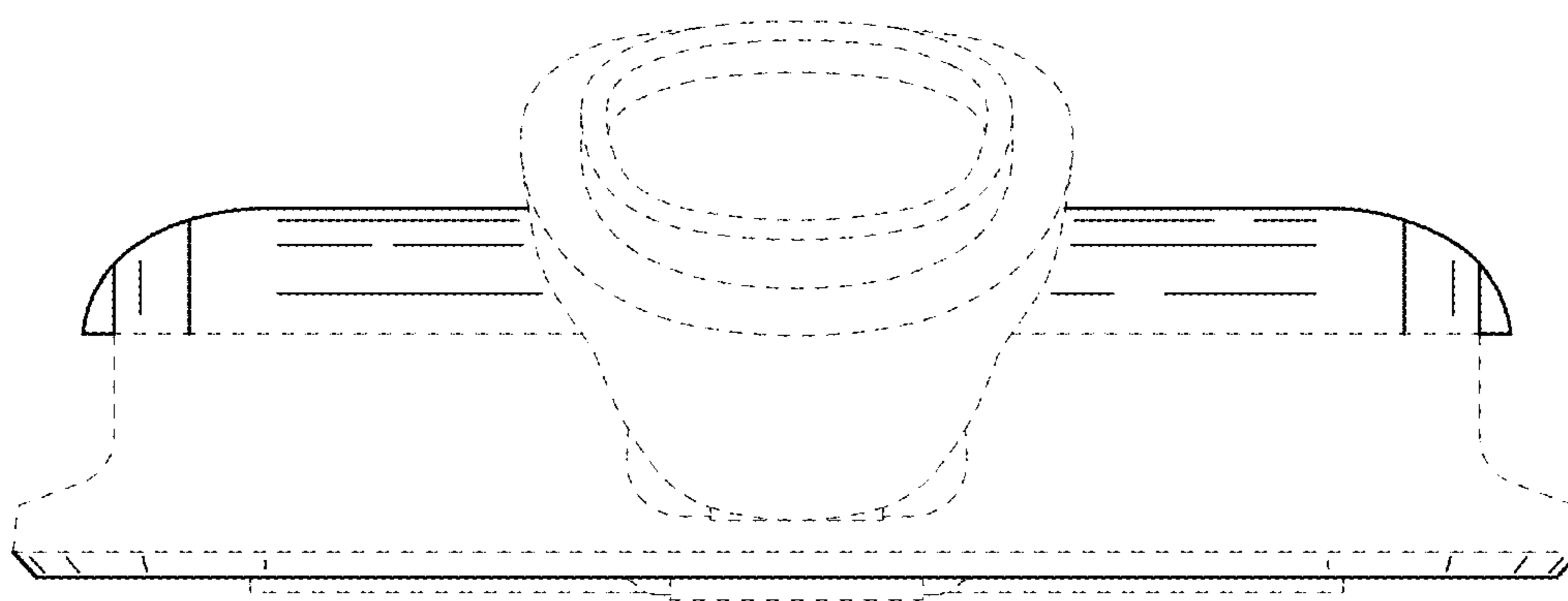


FIG.4

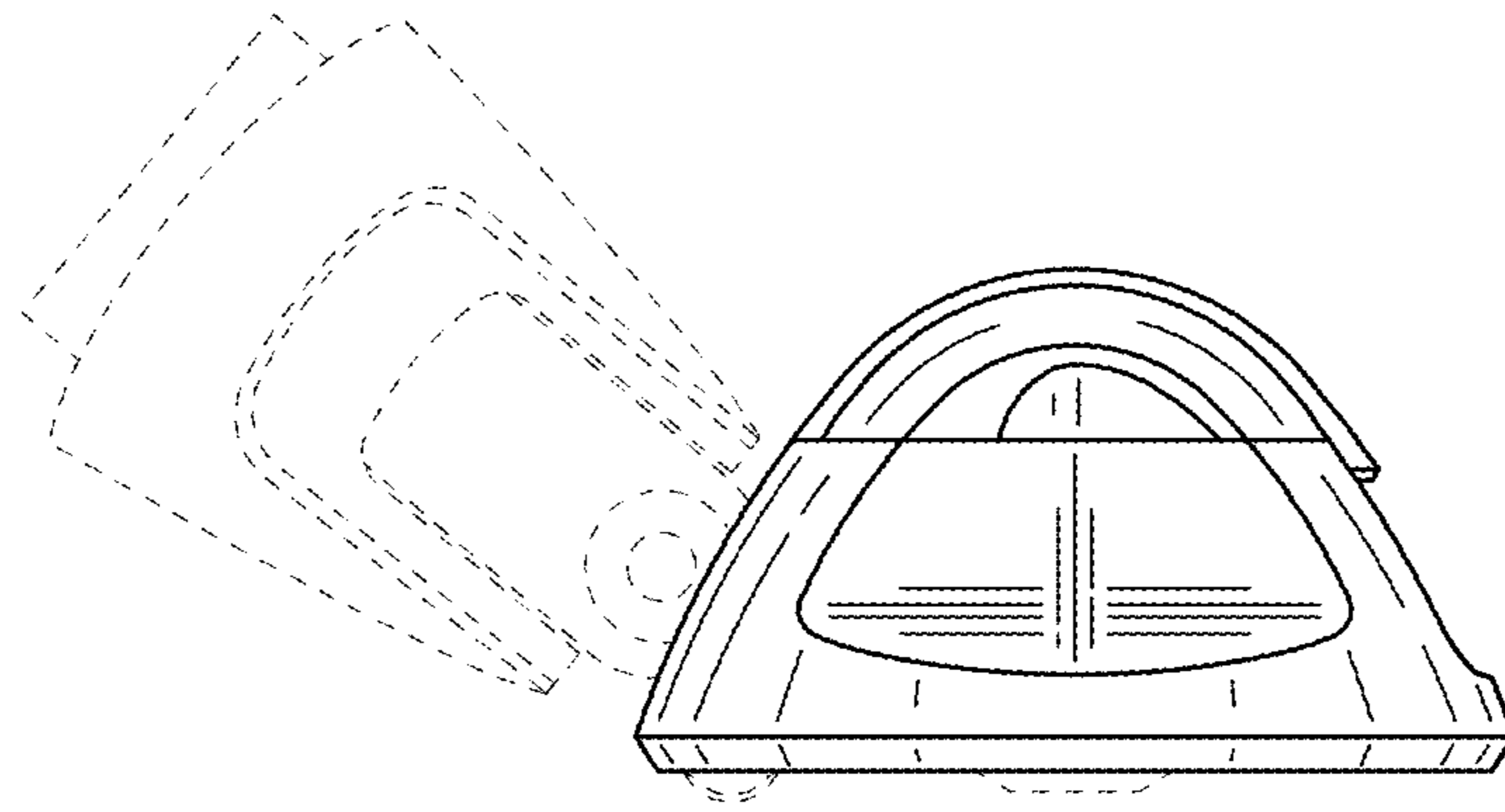


FIG.5

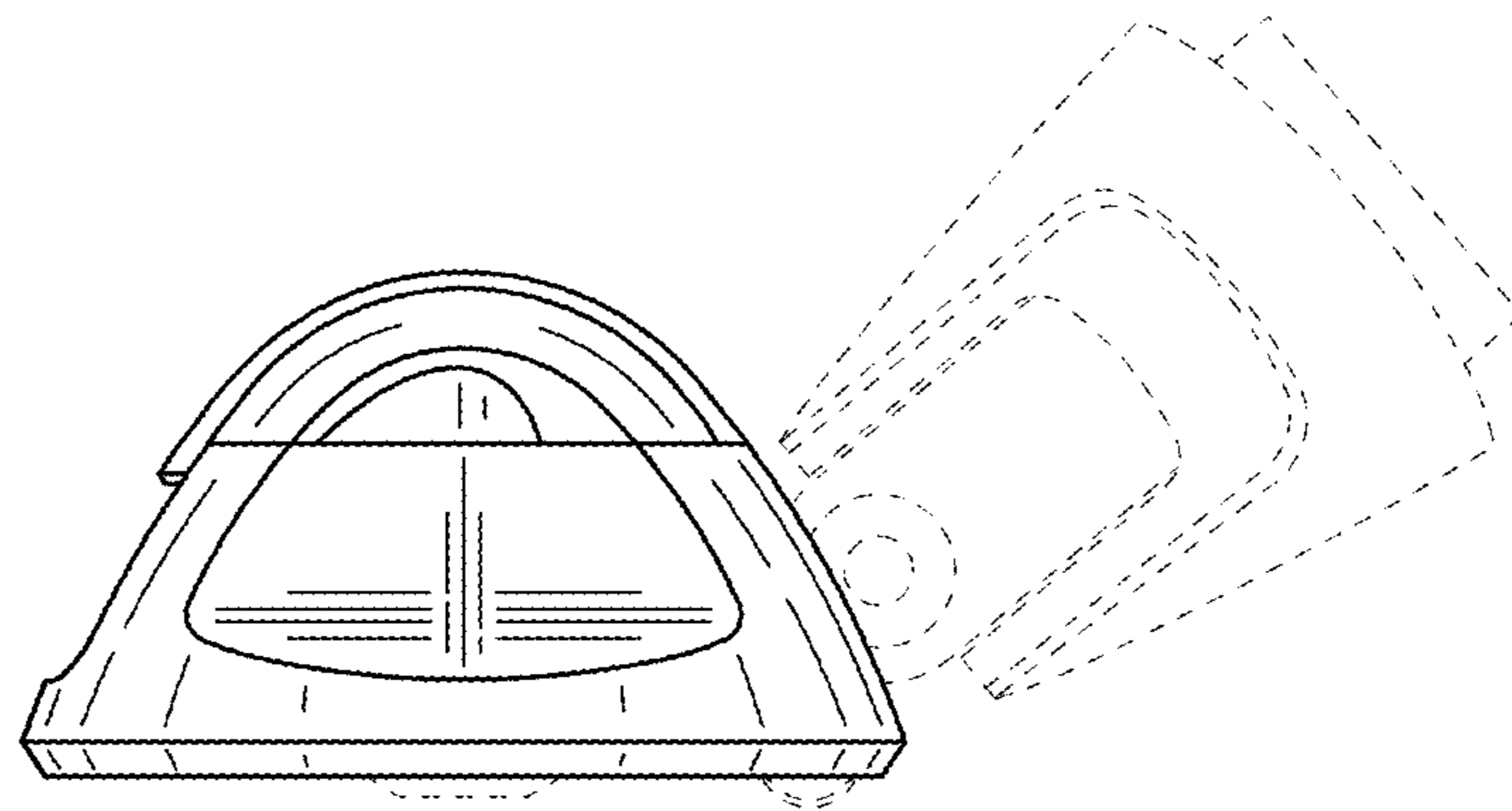


FIG.6

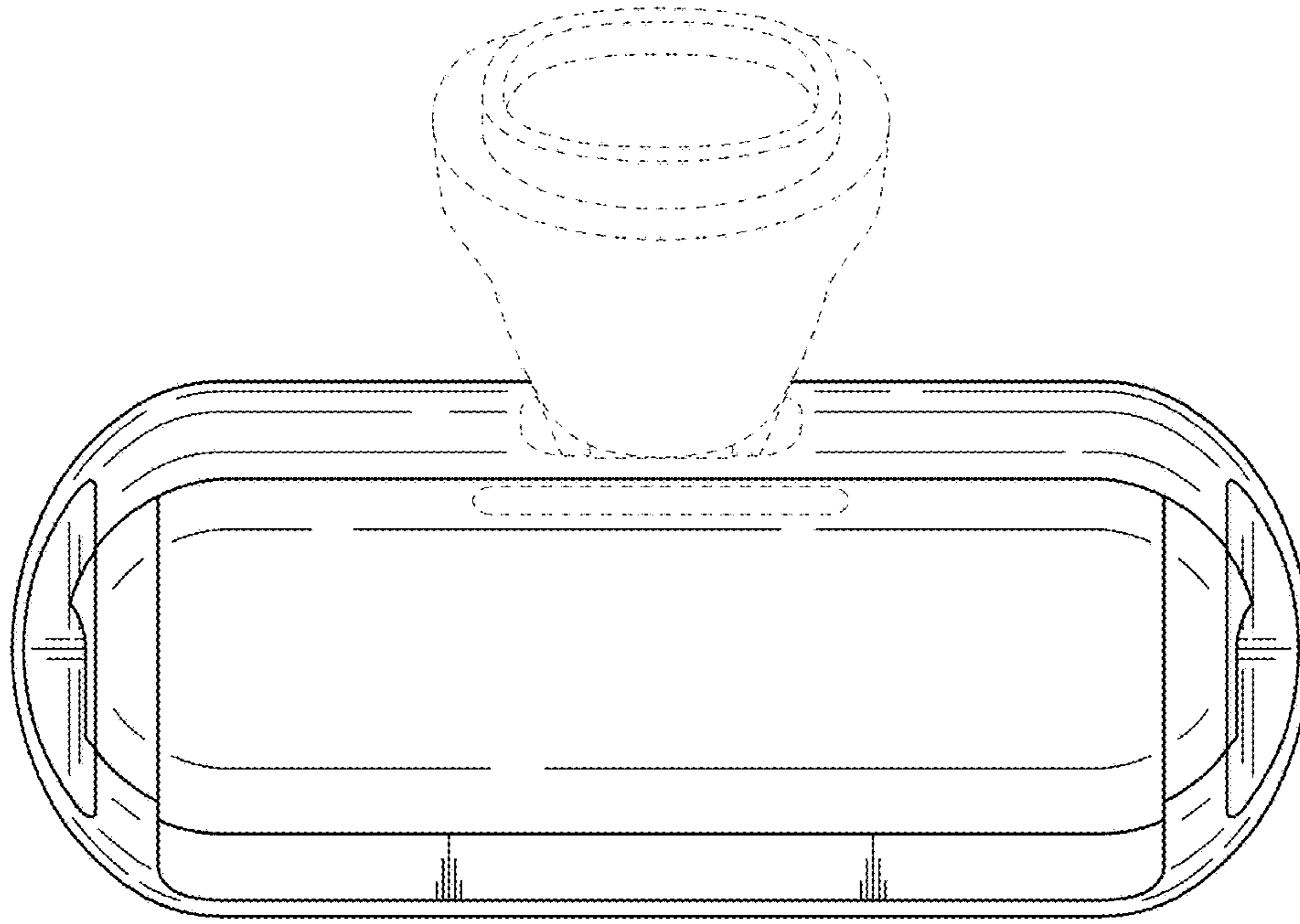


FIG.7

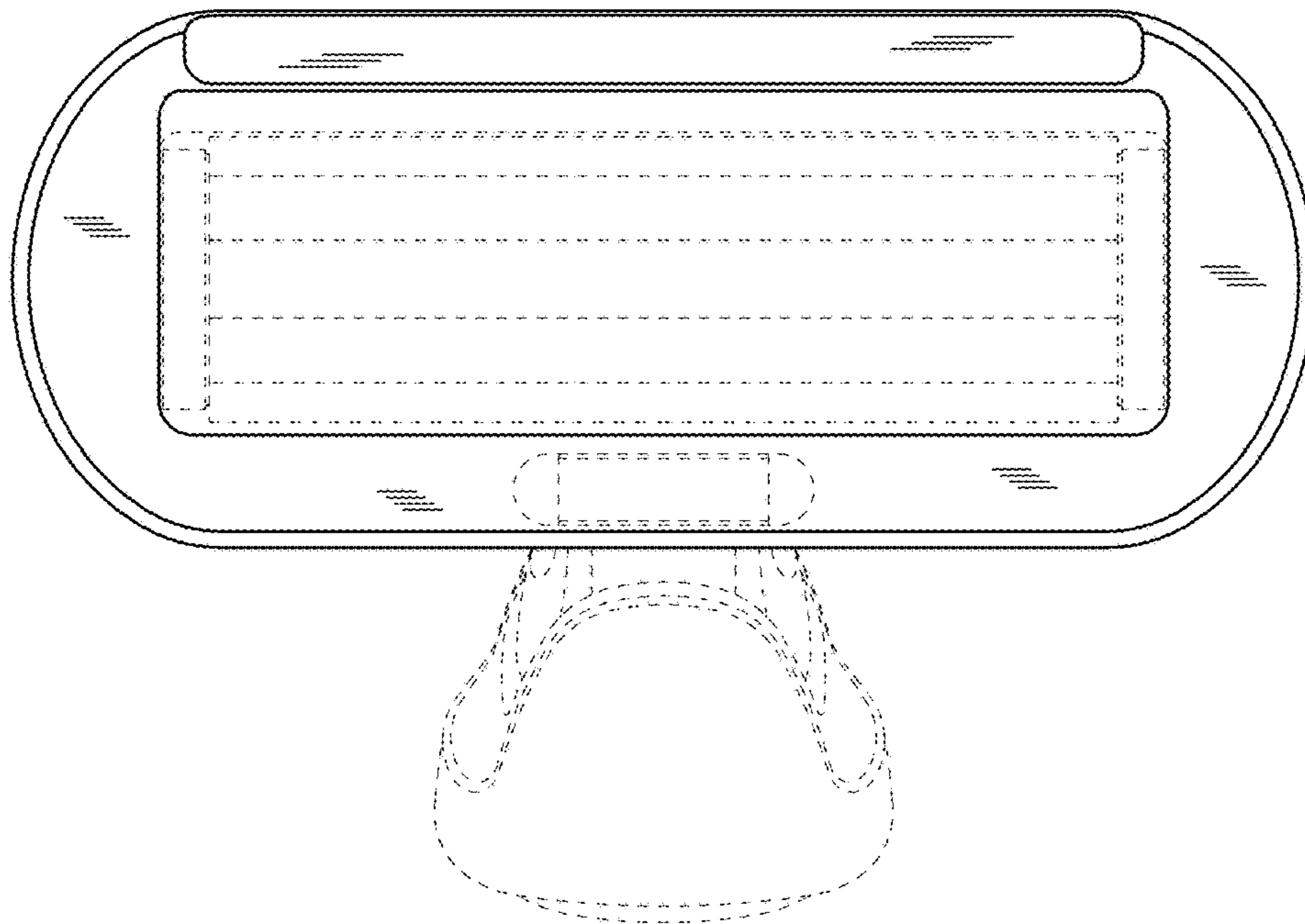


FIG.8

