



US00D803493S

(12) **United States Design Patent**
Lutz et al.

(10) **Patent No.:** **US D803,493 S**

(45) **Date of Patent:** **** Nov. 21, 2017**

- (54) **CLAMP FOR VACUUM TUBE ASSEMBLIES**
- (71) Applicant: **Emerson Electric Co.**, St. Louis, MO (US)
- (72) Inventors: **Christopher Lutz**, Wentzville, MO (US); **Alex J. Wall**, St. Louis, MO (US)
- (73) Assignee: **Emerson Electric Co.**, St. Louis, MO (US)
- (**) Term: **15 Years**
- (21) Appl. No.: **29/568,409**
- (22) Filed: **Jun. 17, 2016**
- (51) **LOC (10) Cl.** **15-05**
- (52) **U.S. Cl.**
USPC **D32/31**
- (58) **Field of Classification Search**
USPC D8/396; D32/31-33, 35, 40, 50, 51
CPC F16M 13/02; A24F 19/092; F16L 27/12;
A47L 9/242; A47L 9/02; A47L 9/06;
A47L 9/0673; A47L 5/362; A47L 5/28;
A47L 5/34; A47L 5/30; A47G 25/66;
E04H 4/1654; A45B 9/00; A63C 11/221;
A61G 5/10
See application file for complete search history.

- 5,478,041 A 12/1995 Mayne
- 5,664,904 A 9/1997 Hapgood et al.
- 5,702,082 A 12/1997 Evans et al.
- 5,836,559 A 11/1998 Ronci
- 5,897,087 A 4/1999 Farley
- (Continued)

OTHER PUBLICATIONS

U.S. Appl. No. 15/447,700, filed Mar. 2, 2017; 45 pages.

Primary Examiner — Ruth McInroy

(74) *Attorney, Agent, or Firm* — Armstrong Teasdale LLP

(57) **CLAIM**

We claim the ornamental design for a clamp for vacuum tube assemblies, as shown and described.

DESCRIPTION

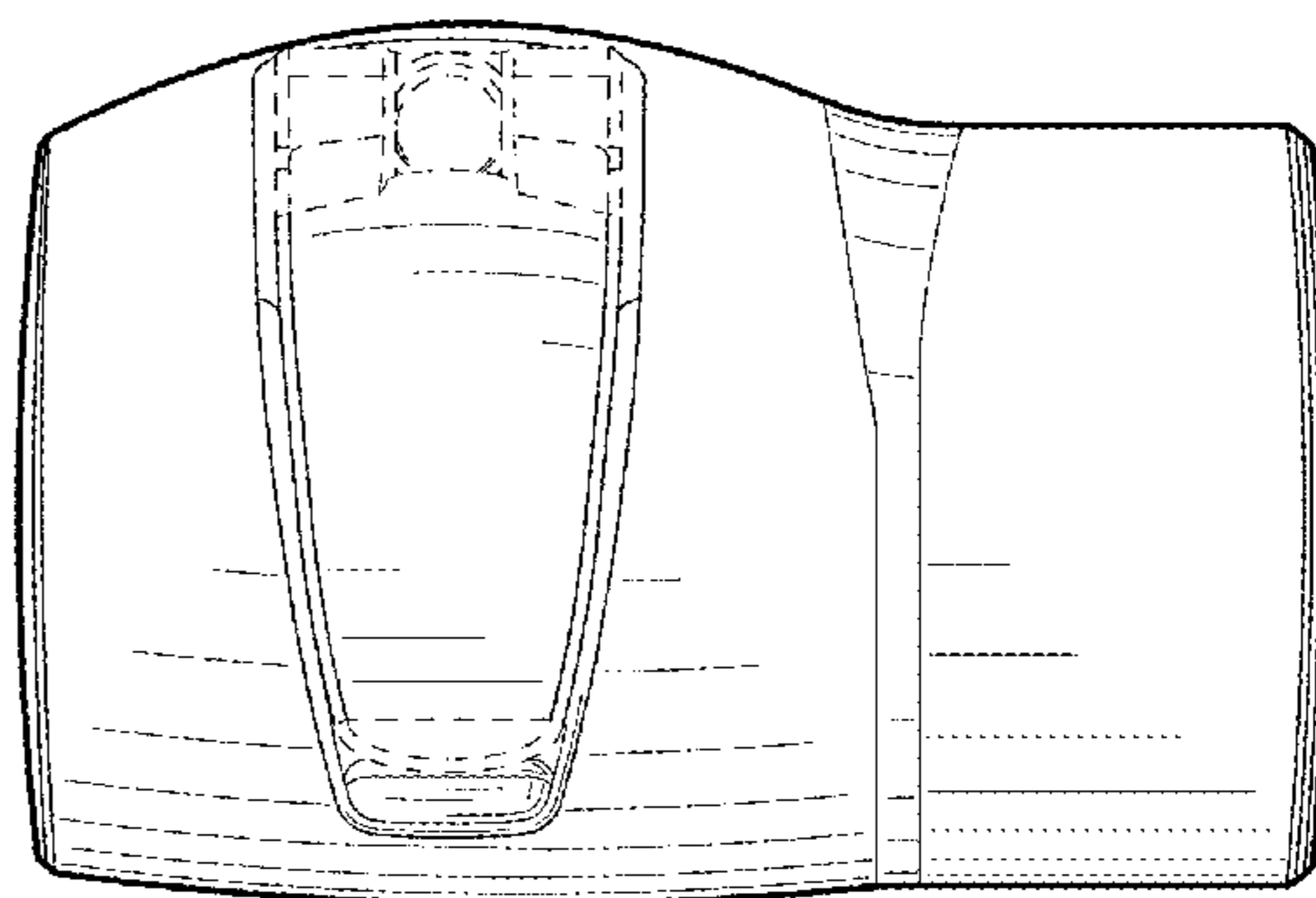
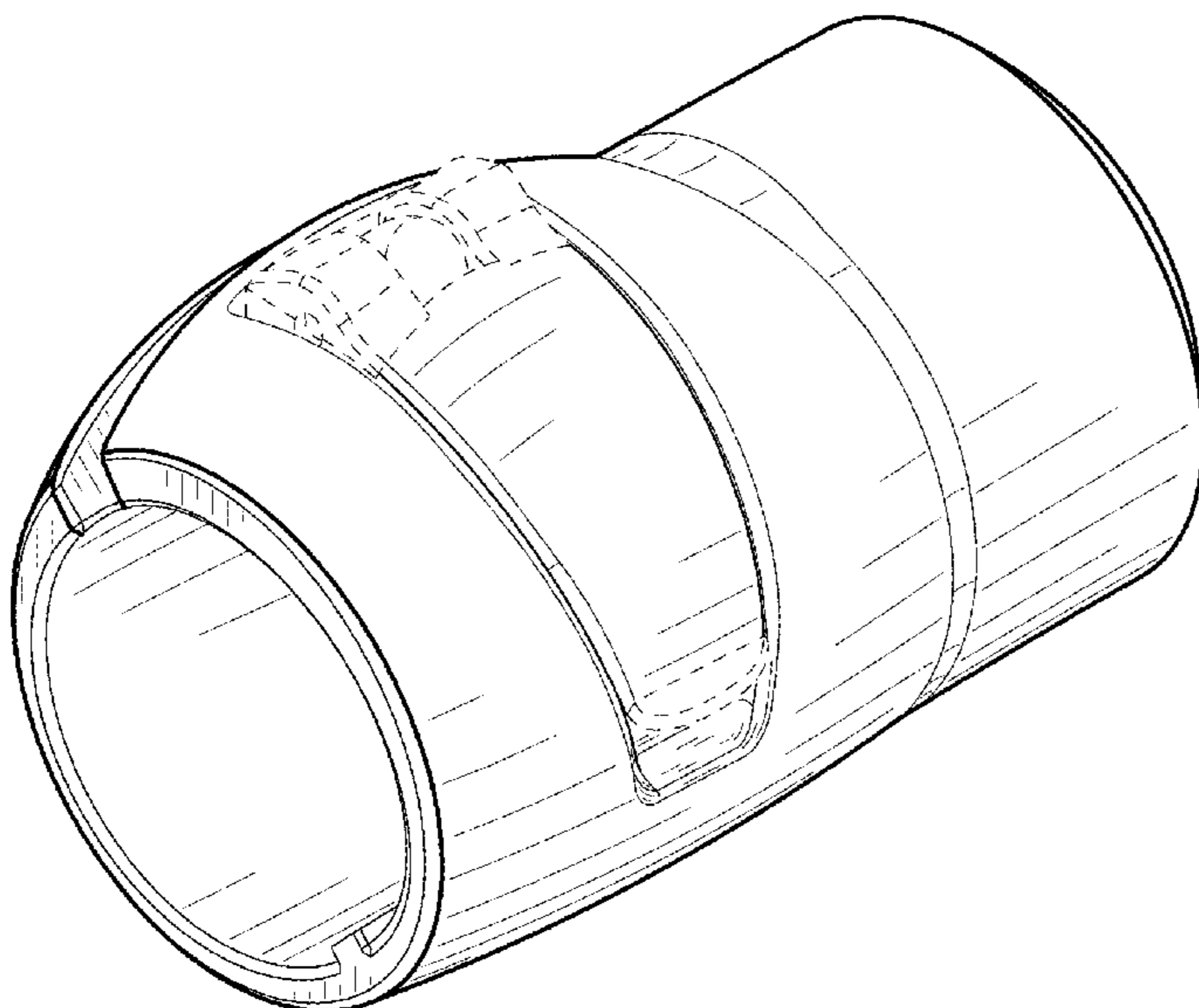
FIG. 1 is a front perspective view of a clamp for vacuum tube assemblies showing our new design;
 FIG. 2 is a front view thereof.
 FIG. 3 is a rear view thereof.
 FIG. 4 is a left side view thereof.
 FIG. 5 is a right side view thereof.
 FIG. 6 is a top view thereof.
 FIG. 7 is a bottom view thereof.
 FIG. 8 is a front perspective view thereof in an alternate position;
 FIG. 9 is a front view thereof.
 FIG. 10 is a rear view thereof.
 FIG. 11 is a left side view thereof.
 FIG. 12 is a right side view thereof.
 FIG. 13 is a top view thereof; and,
 FIG. 14 is a bottom view thereof.
 The details shown in broken lines are for illustrative purposes only and form no part of the claimed design. Broken lines, if present in the drawings, are for illustrative purposes only and form no part of the claimed design.

(56) **References Cited**

U.S. PATENT DOCUMENTS

- D209,573 S * 12/1967 Leinfelt D32/31
- D264,011 S * 4/1982 Genoa D32/31
- 4,355,922 A 10/1982 Sato
- D275,333 S * 8/1984 Williams D32/31
- 4,736,921 A 4/1988 Zane et al.
- D314,848 S * 2/1991 Foldes D32/31
- 4,997,154 A 3/1991 Little
- 5,170,973 A 12/1992 Ohta
- 5,308,032 A 5/1994 Ohta
- 5,344,115 A 9/1994 Mayne et al.

1 Claim, 10 Drawing Sheets



(56)

References Cited

U.S. PATENT DOCUMENTS

D414,405	S *	9/1999	Tompkins	D8/396
5,984,248	A	11/1999	Evans et al.	
6,017,008	A	1/2000	Farley	
6,568,644	B2	5/2003	Pedersen	
6,648,286	B1	11/2003	Evans et al.	
6,793,186	B2	9/2004	Pedersen	
D532,947	S *	11/2006	Muscarella	D32/31
7,244,070	B2 *	7/2007	Burnett	G03B 17/00 248/118
D584,604	S *	1/2009	Baldwin	D8/396
D597,715	S *	8/2009	Barker	D32/31
D610,760	S *	2/2010	Zugen	D32/31
8,006,711	B2 *	8/2011	Pietrzak	A45B 9/00 135/65
8,132,764	B2	3/2012	Kuipers	
D661,981	S *	6/2012	Melino, Sr.	D8/396
D664,839	S *	8/2012	Bonhag	D8/396
8,408,507	B2	4/2013	Liu	
8,496,018	B2 *	7/2013	Lenhart	A45B 9/00 135/75
8,528,870	B2	9/2013	Liu et al.	
D712,730	S *	9/2014	Gridley	D8/396
8,979,050	B2 *	3/2015	Yu	A47C 3/28 248/181.1

* cited by examiner

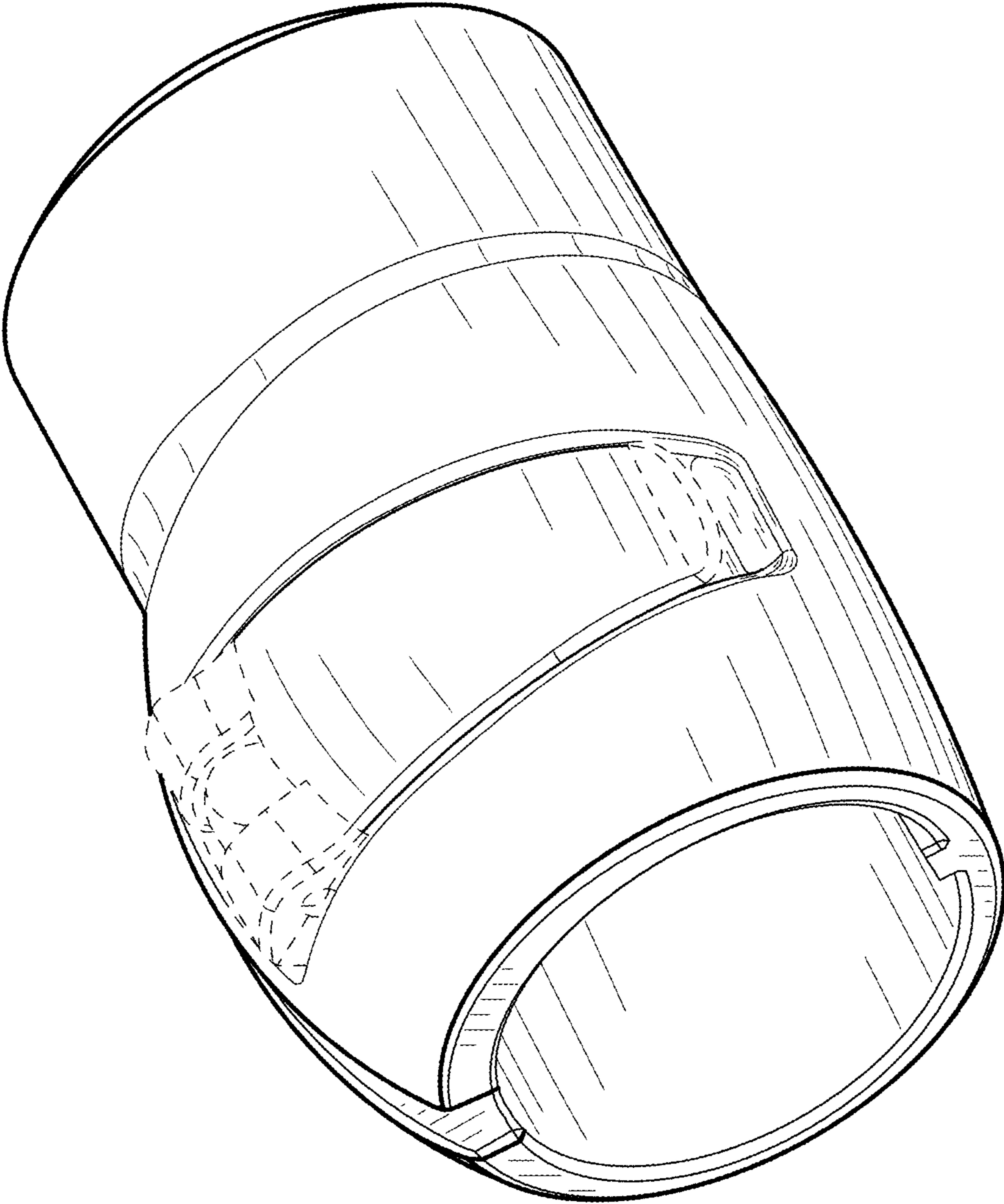


FIG. 1

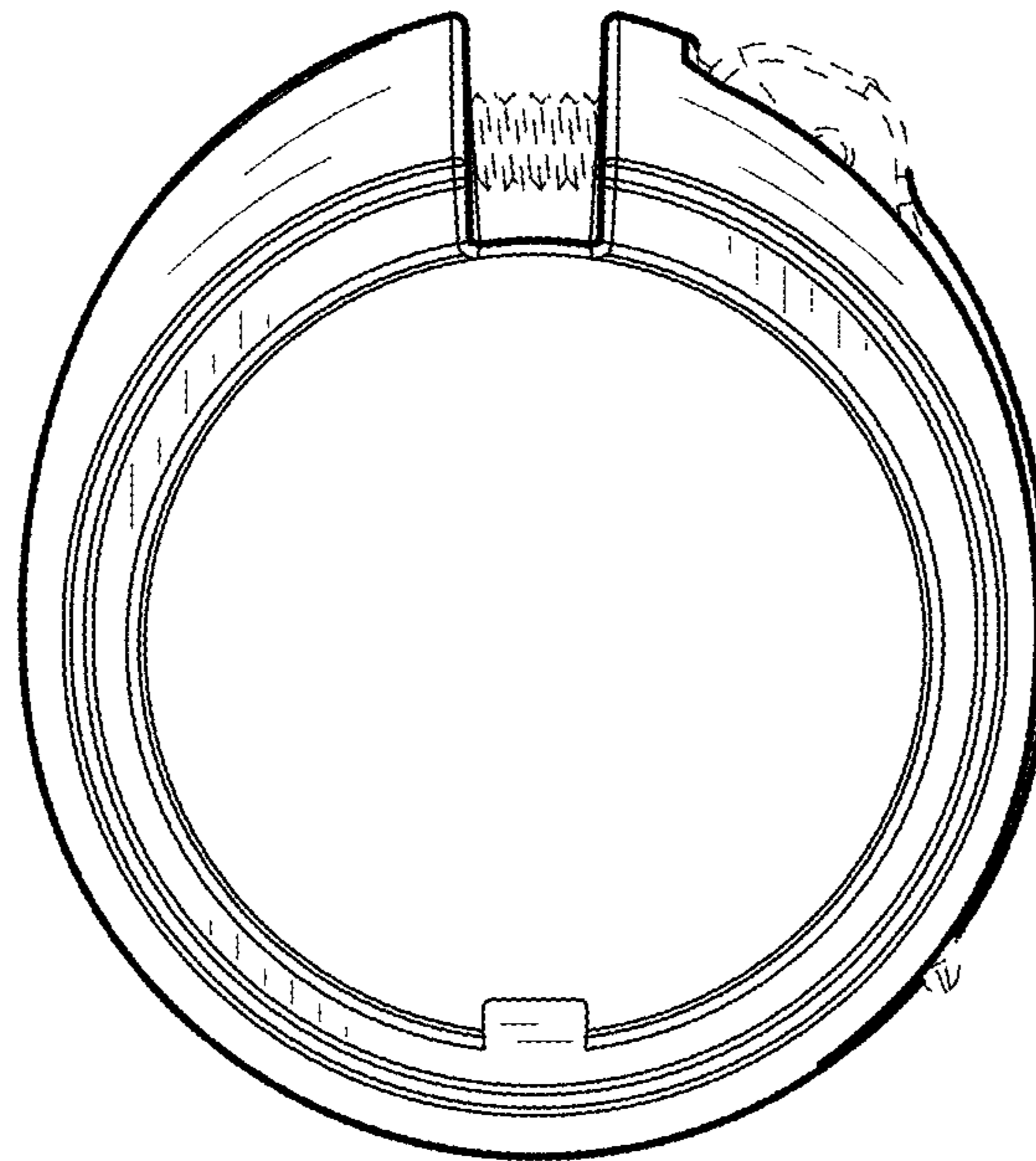


FIG. 2

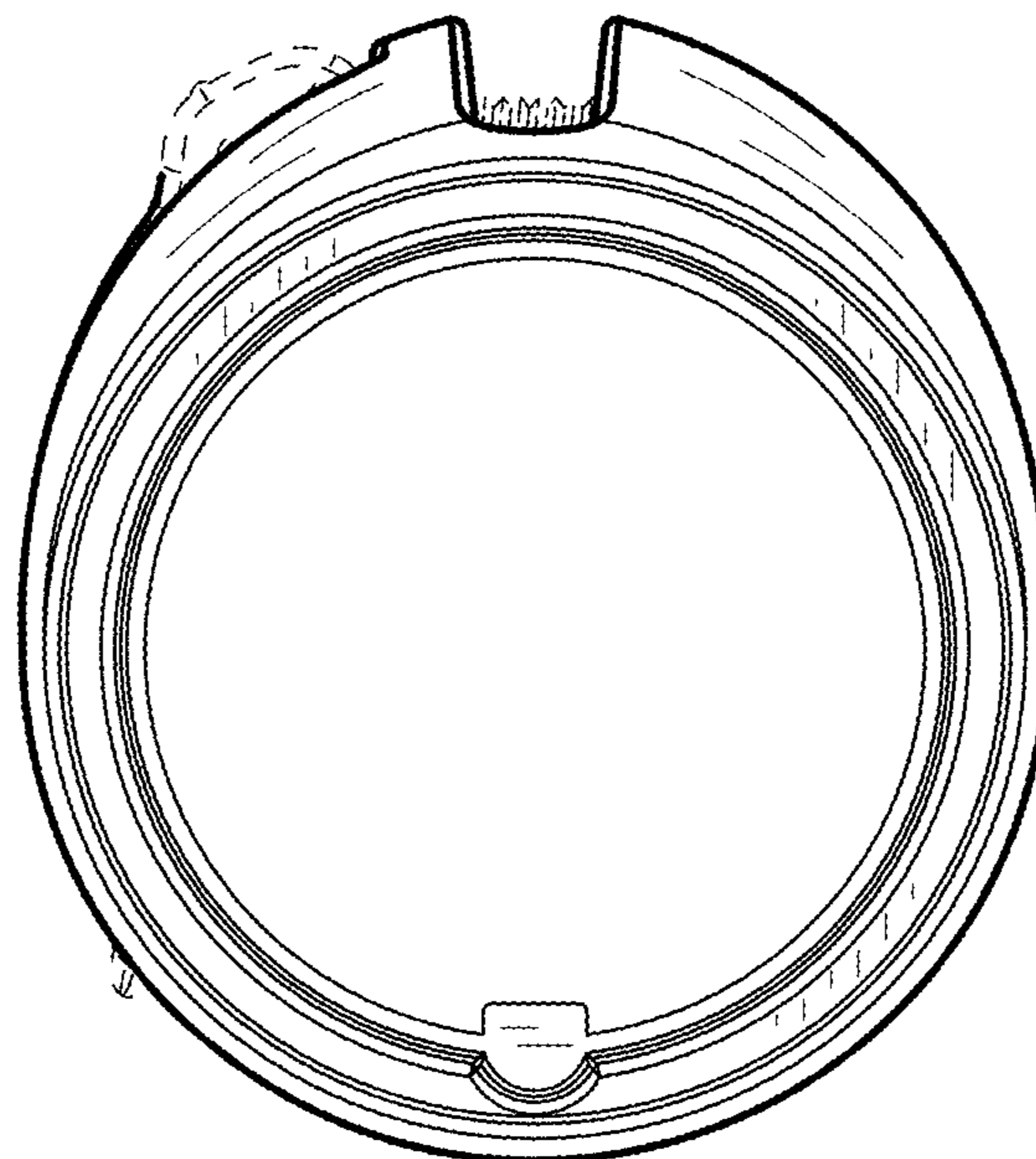


FIG. 3

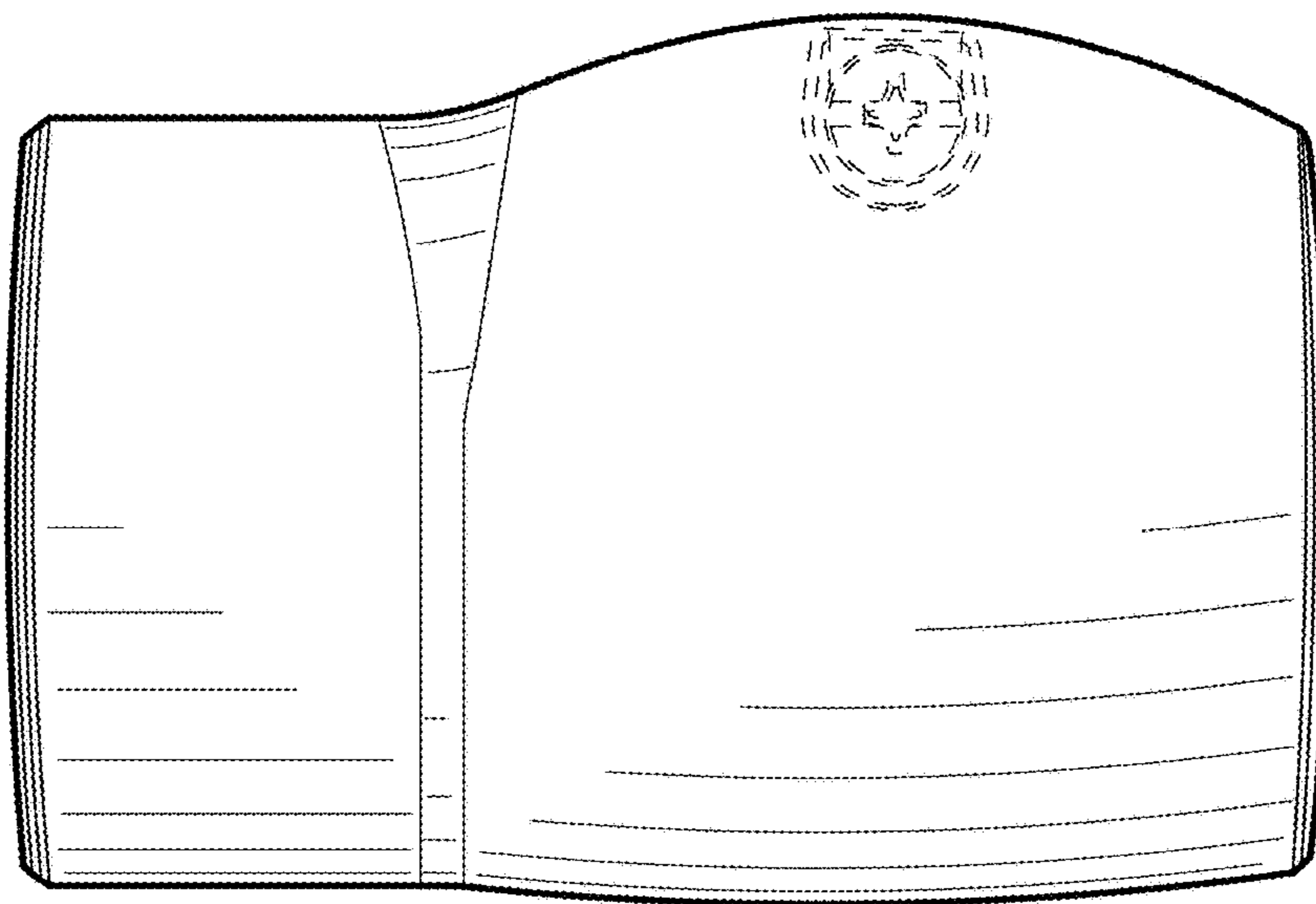


FIG. 4

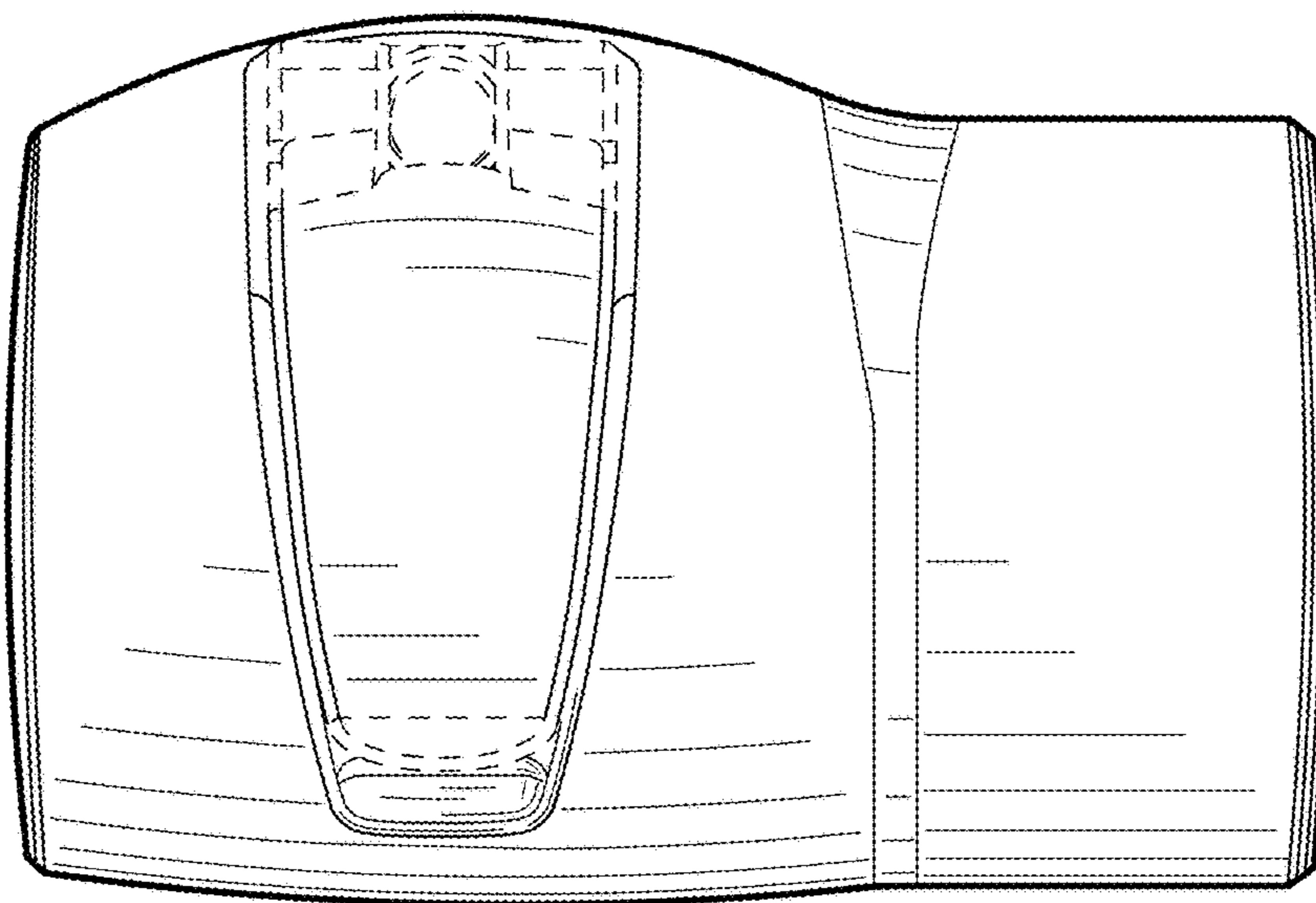


FIG. 5

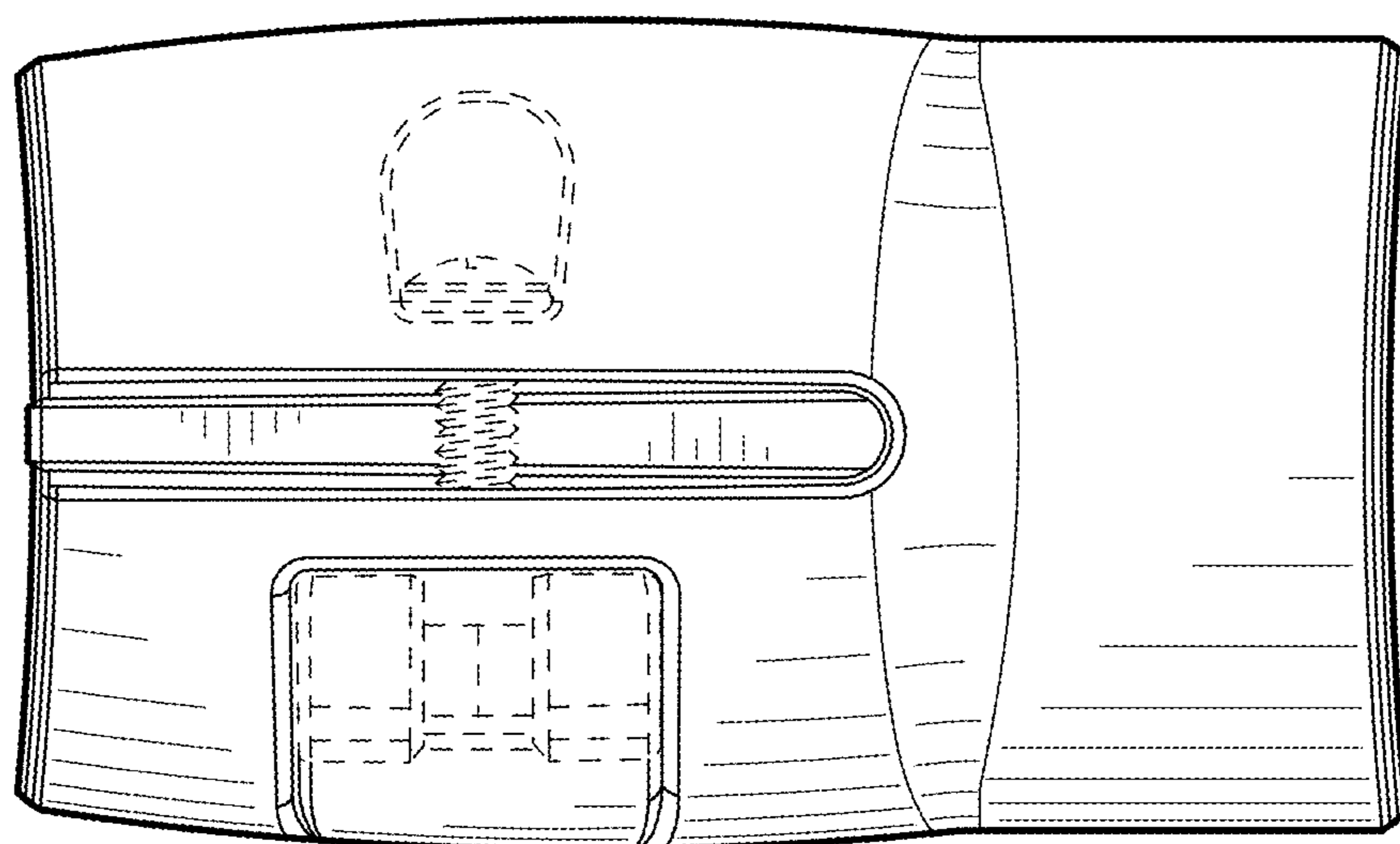


FIG. 6

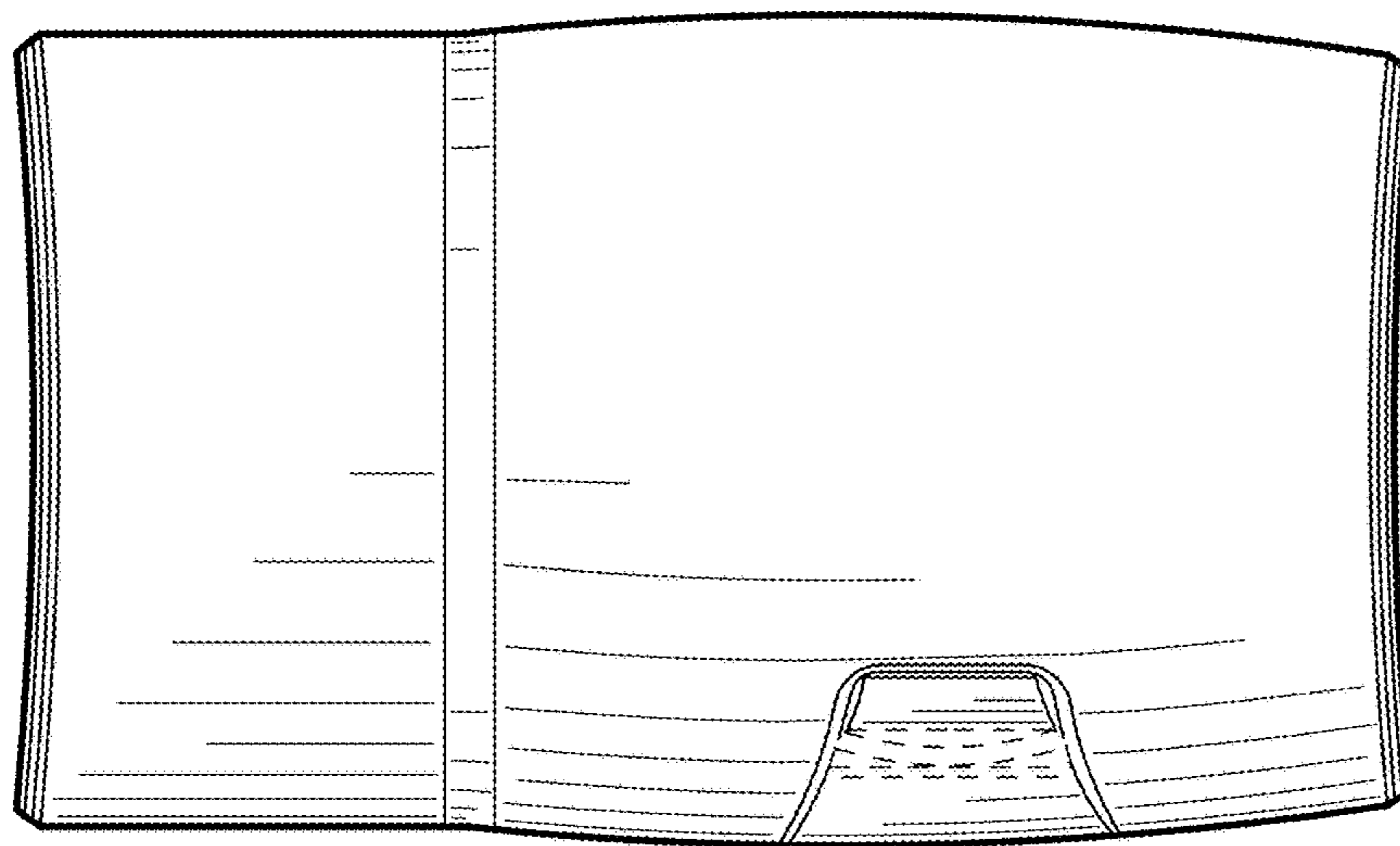


FIG. 7

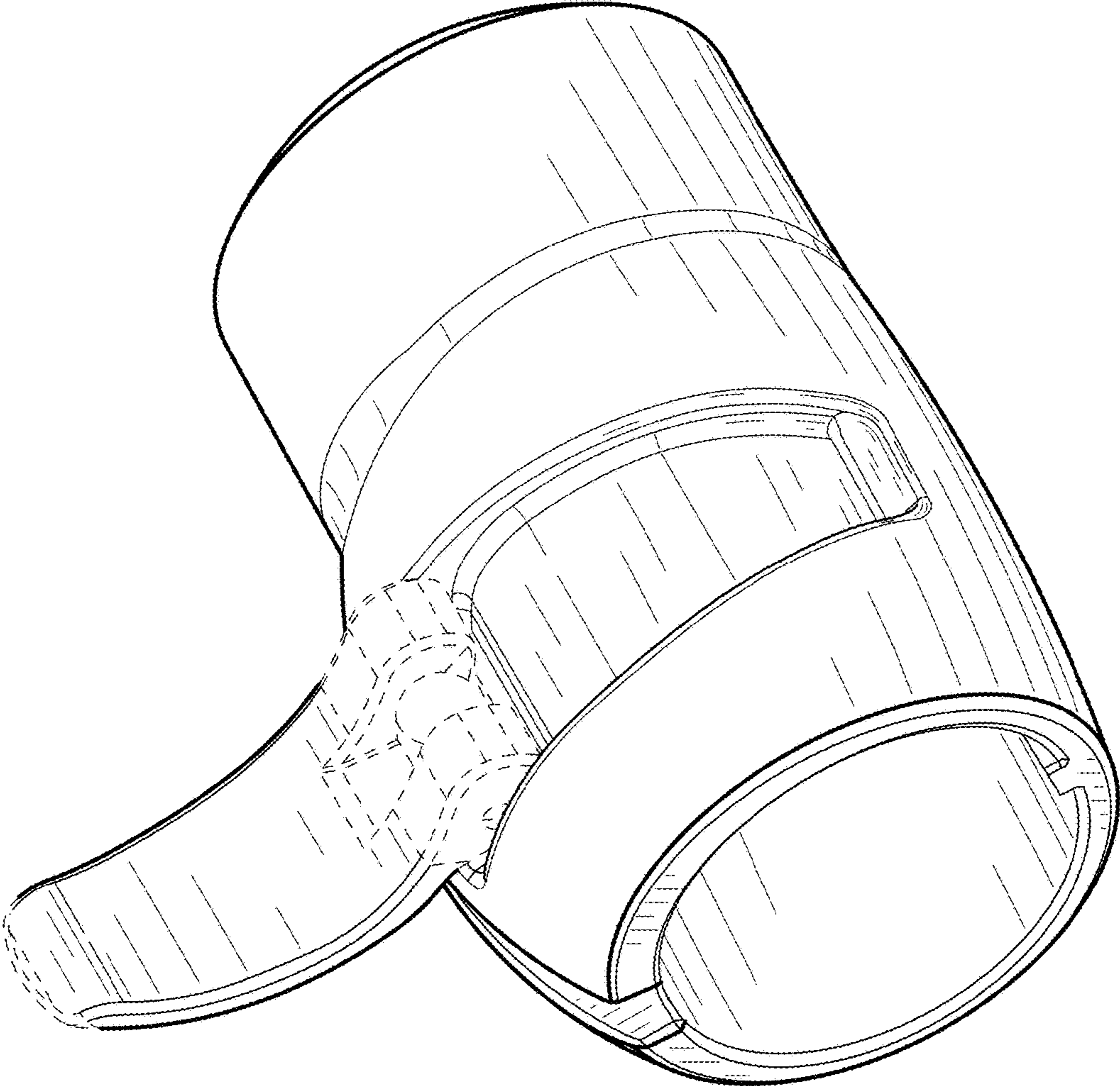


FIG. 8

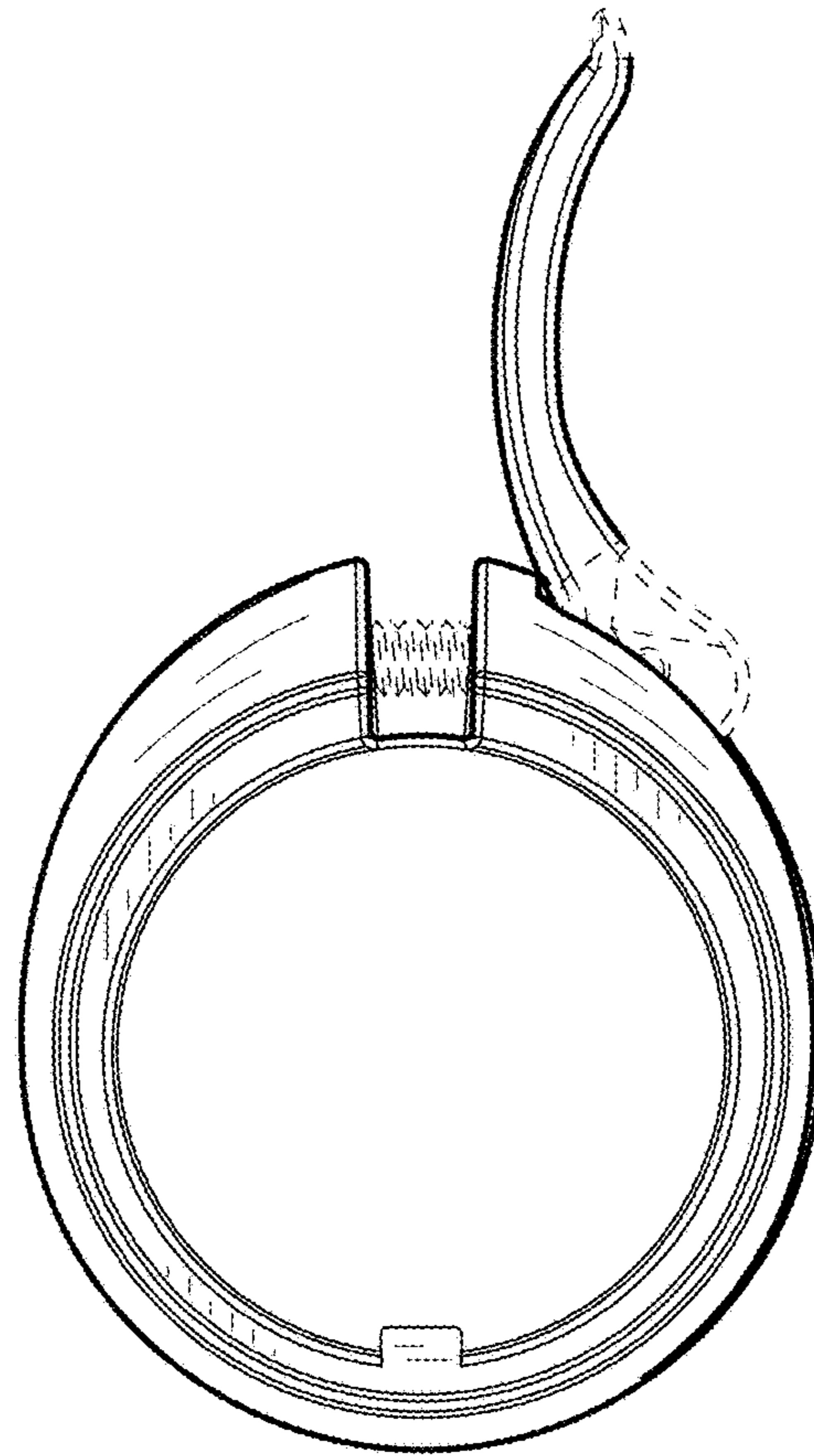


FIG. 9

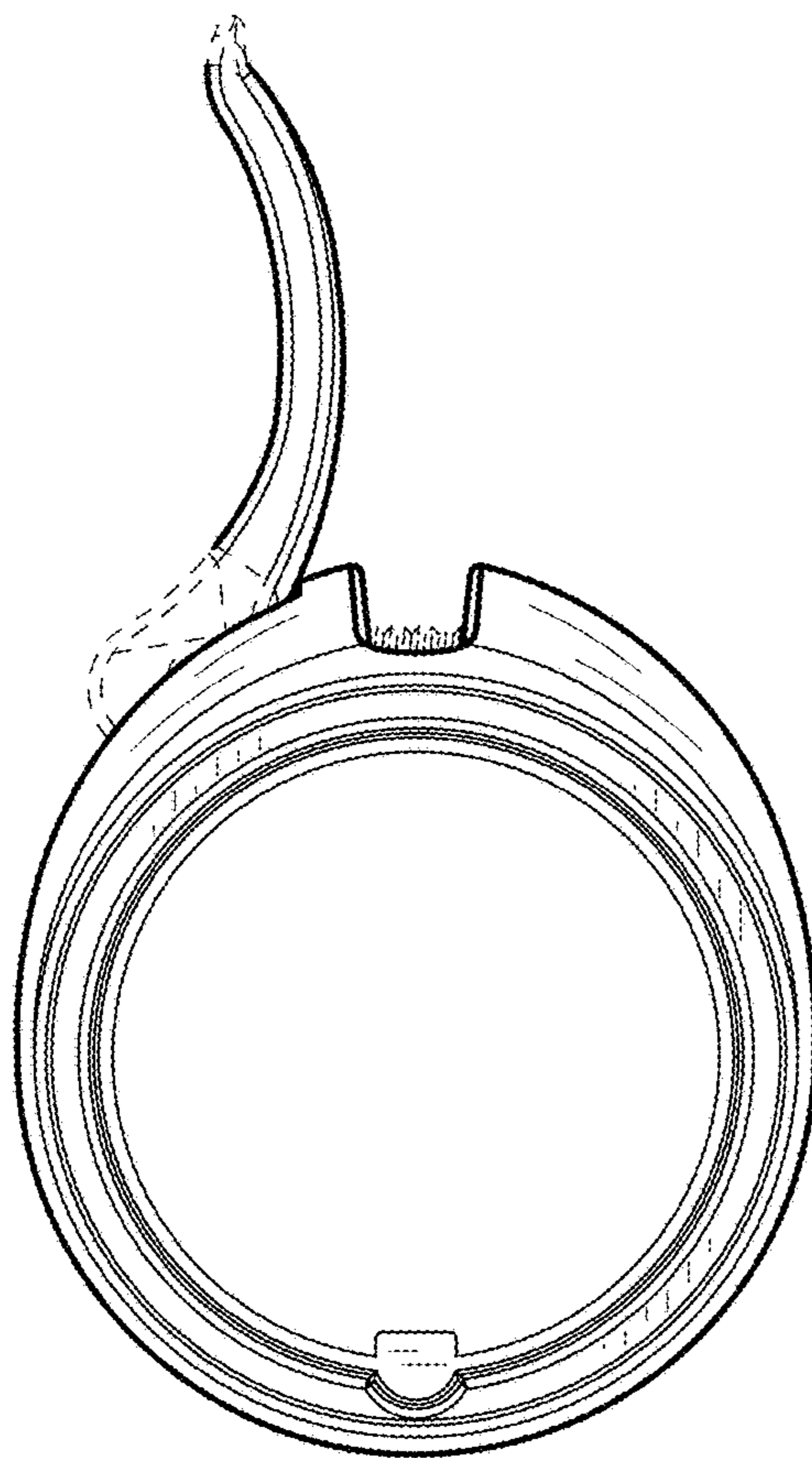


FIG. 10

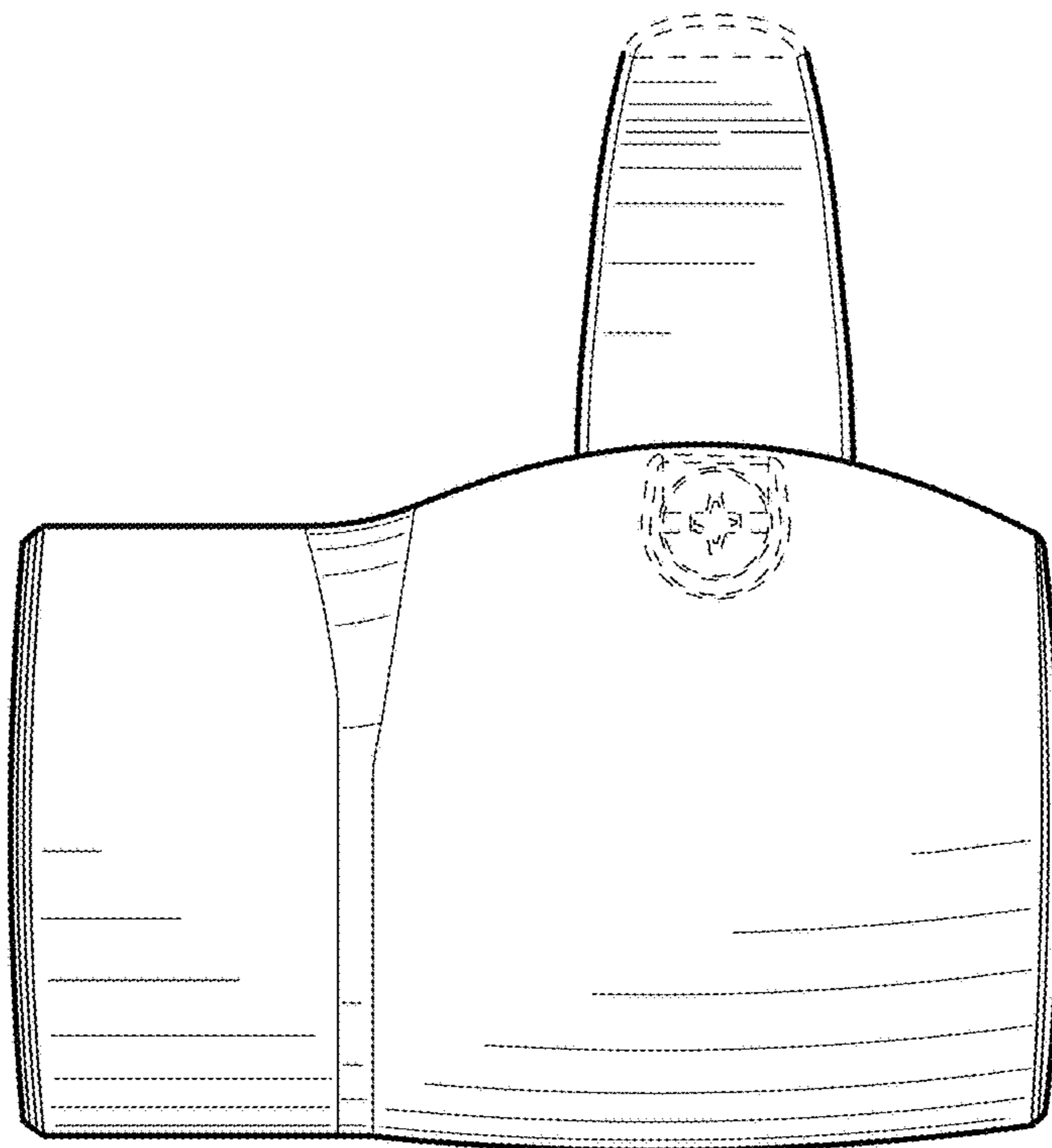


FIG. 11

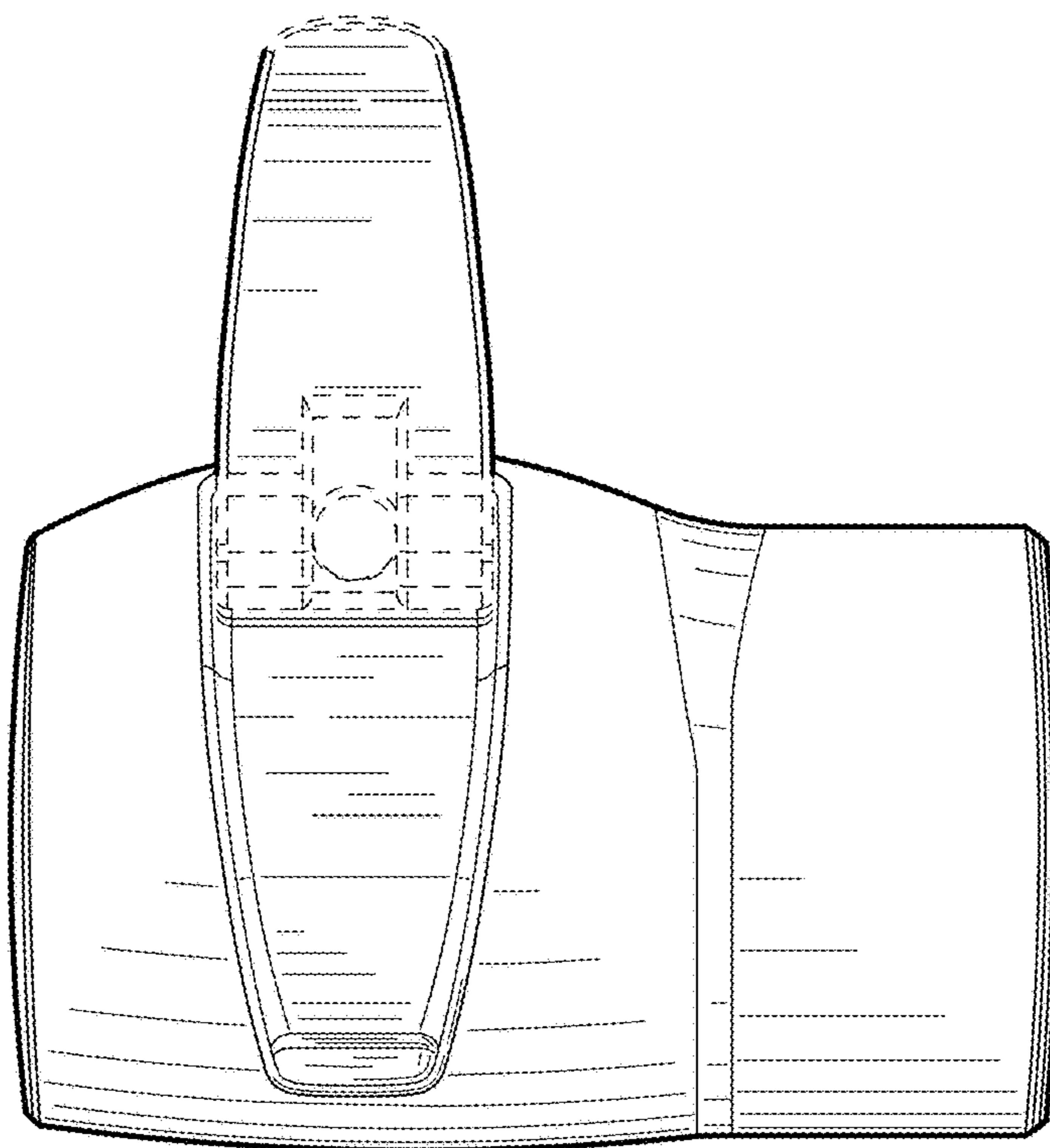


FIG. 12

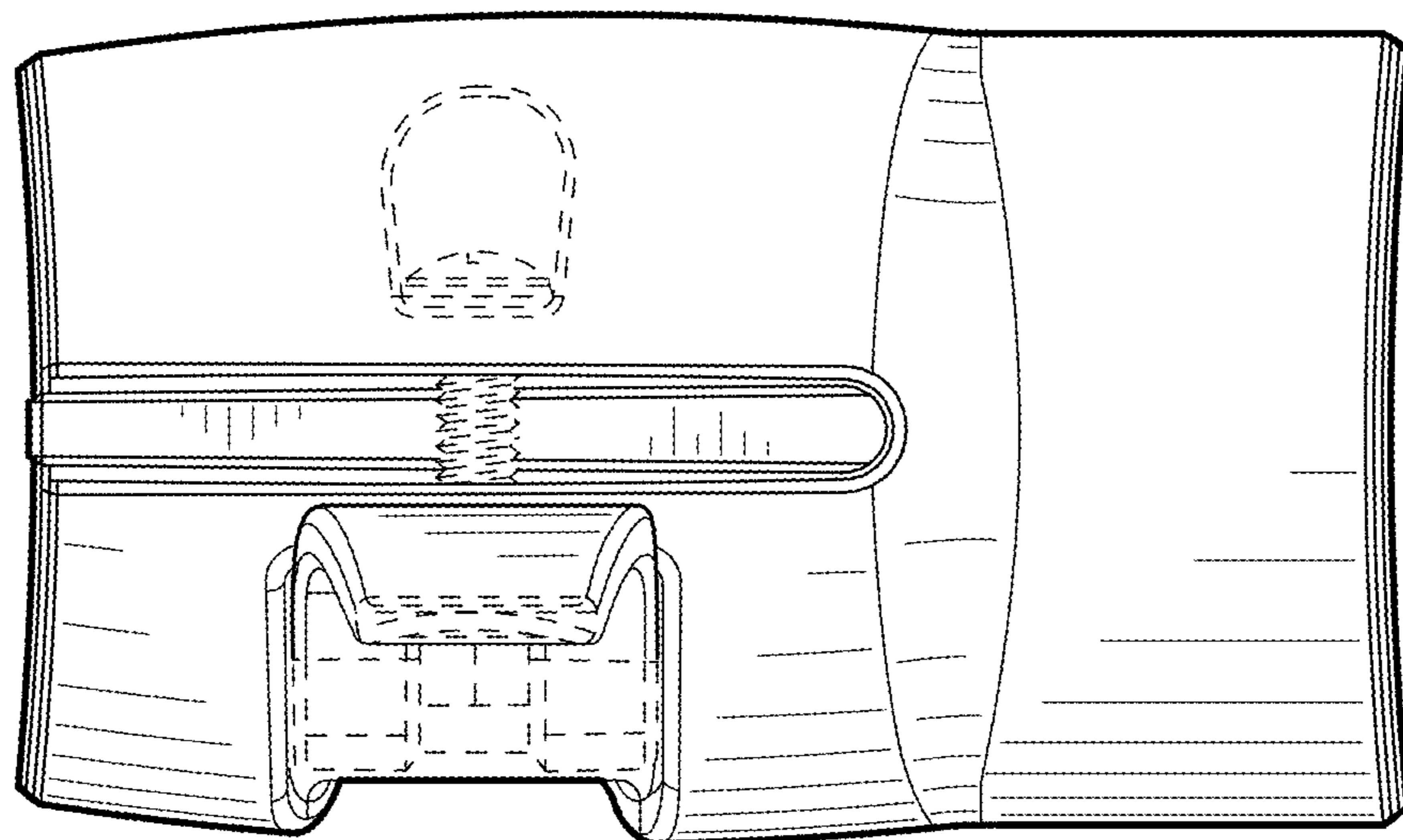


FIG. 13

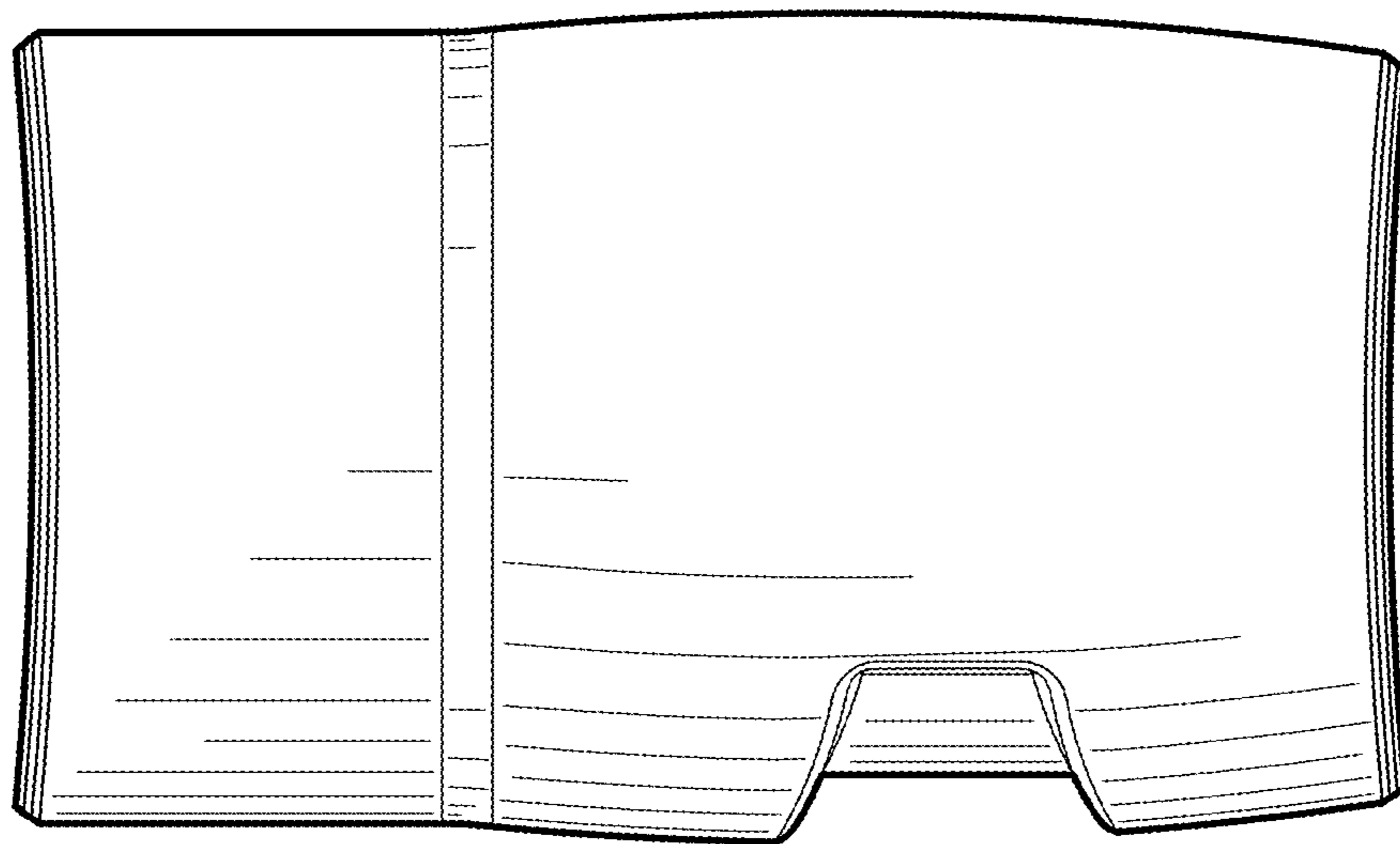


FIG. 14