



US00D803489S

(12) **United States Design Patent** (10) **Patent No.:** **US D803,489 S**
King (45) **Date of Patent:** **** Nov. 21, 2017**

(54) **PET DIAPER**

(71) Applicant: **Karen S. King**, Kirkwood, MO (US)

(72) Inventor: **Karen S. King**, Kirkwood, MO (US)

(**) Term: **15 Years**

(21) Appl. No.: **29/553,623**

(22) Filed: **Feb. 3, 2016**

(51) **LOC (10) Cl.** **30-01**

(52) **U.S. Cl.**
USPC **D30/145**

(58) **Field of Classification Search**
USPC D30/144, 145, 146, 147, 151, 152, 161,
D30/199; D24/124, 190; D2/718, 719,
D2/860, 864, 896, 909, 919
CPC A01K 23/00
See application file for complete search history.

(56) **References Cited**

U.S. PATENT DOCUMENTS

D132,791 S *	6/1942	Lunney	D24/190
4,996,949 A *	3/1991	Wunderman	A01K 23/00
				119/850
D329,927 S	9/1992	Thomas		
D383,259 S	9/1997	Post		
5,662,640 A *	9/1997	Daniels	A01K 23/00
				119/856
D480,842 S *	10/2003	Grodecki	D30/145
D555,297 S *	11/2007	Coleman	D30/145
D615,711 S *	5/2010	Van Sice	D30/145
D638,175 S *	5/2011	Pellegrini	D30/145
D664,720 S *	7/2012	Leonard	D30/145
8,757,101 B1 *	6/2014	Phipps	A01K 23/00
				119/868
D748,348 S *	1/2016	Bahadur	D30/144
9,265,234 B2 *	2/2016	Komatsubara	A01K 23/00
2003/0066495 A1	4/2003	Soares		
2004/0074450 A1	4/2004	Soares		
2005/0061260 A1 *	3/2005	Hall	A01K 23/00
				119/869
2006/0196447 A1	9/2006	Poh-Beyerlein		

2007/0129702 A1 6/2007 Gribben
2010/0319633 A1 12/2010 Moncheski
2011/0209675 A1 9/2011 Esperon
2014/0083372 A1 3/2014 Komatsubara

(Continued)

OTHER PUBLICATIONS

“Chocolate Dog Belly Band”. Found online Jan. 18, 2017 at amazon.com. Page dated Mar. 15, 2012. Retrieved from https://www.amazon.com/Chocolate-Dog-Belly-Band-13/dp/B003G7YS48/ref=sr_1_35?s=pets-supplies&ie=UTF8&qid=1484692057&sr=1-35&refinements=p_72%3A2661621011.*

(Continued)

Primary Examiner — Robert M Spear
Assistant Examiner — Kendra L Hamilton
(74) *Attorney, Agent, or Firm* — CreatiVenture Law;
Linda L. Lewis; Dennis J M Donahue

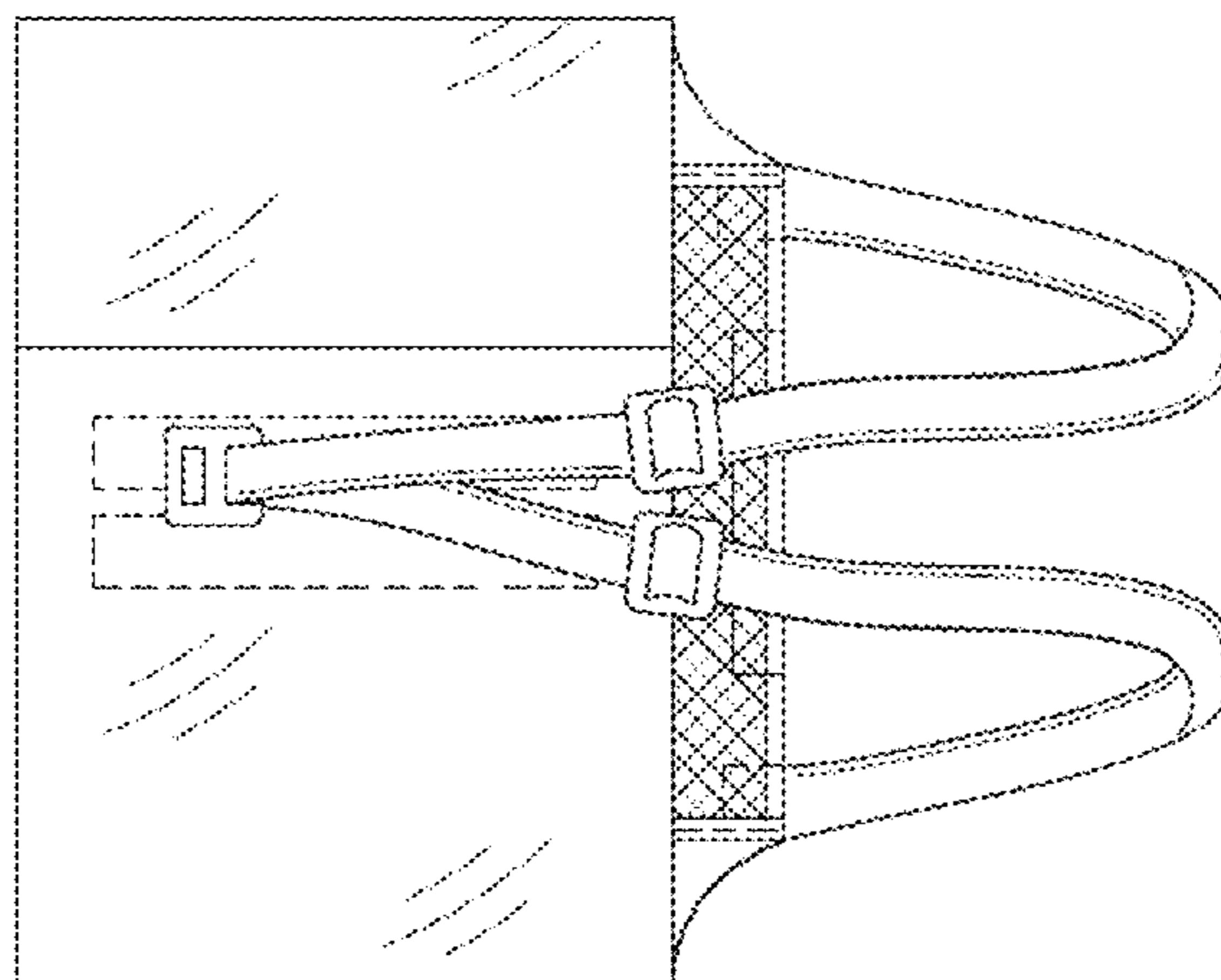
(57) **CLAIM**

The ornamental design for a pet diaper, as shown and described.

DESCRIPTION

FIG. 1 is a bottom plan view of a pet diaper in the covered position, showing my new design;
FIG. 2 is a bottom view of the pet diaper in the uncovered position.
FIG. 3 is a top view of the pet diaper in the open position.
FIG. 4 is a bottom plan view of the pet diaper in the closed position.
FIG. 5 is a back side view of the pet diaper.
FIG. 6 is a front side view of the pet diaper.
FIG. 7 is a right side view of the pet diaper; and,
FIG. 8 is a left side view of the pet diaper.
In the drawings, the broken lines represent stitching that forms part of the claimed design.

1 Claim, 6 Drawing Sheets



(56)

References Cited

U.S. PATENT DOCUMENTS

2014/0102381 A1* 4/2014 Siano A01K 23/00
119/863

OTHER PUBLICATIONS

“STA-ON Pet Diaper Harness”. Found online Jan. 17, 2017 at staon.com. Page dated Feb. 12, 2012. Retrieved from <http://web.archive.org/web/20120212072952/http://www.staon.com/info/>.*

“Alfie Pet Apparel—Jay Diaper”. Found online Jan. 18, 2017 at amazon.com. Page dated Nov. 24, 2013. Retrieved from https://www.amazon.com/Alfie-Pet-Petoga-Couture-Suspender/dp/B00DRQ43WK/ref=cm_cr_ar_p_d_product_top?ie=UTF8.*

“Tinkle Trousers: The Ultimate Dog Diaper”. Found online Jan. 17, 2017 at tinkletrousers.com. Page dated Oct. 25, 2005. Retrieved from <http://web.archive.org/web/20051025104034/http://www.tinkletrousers.com/>.*

* cited by examiner

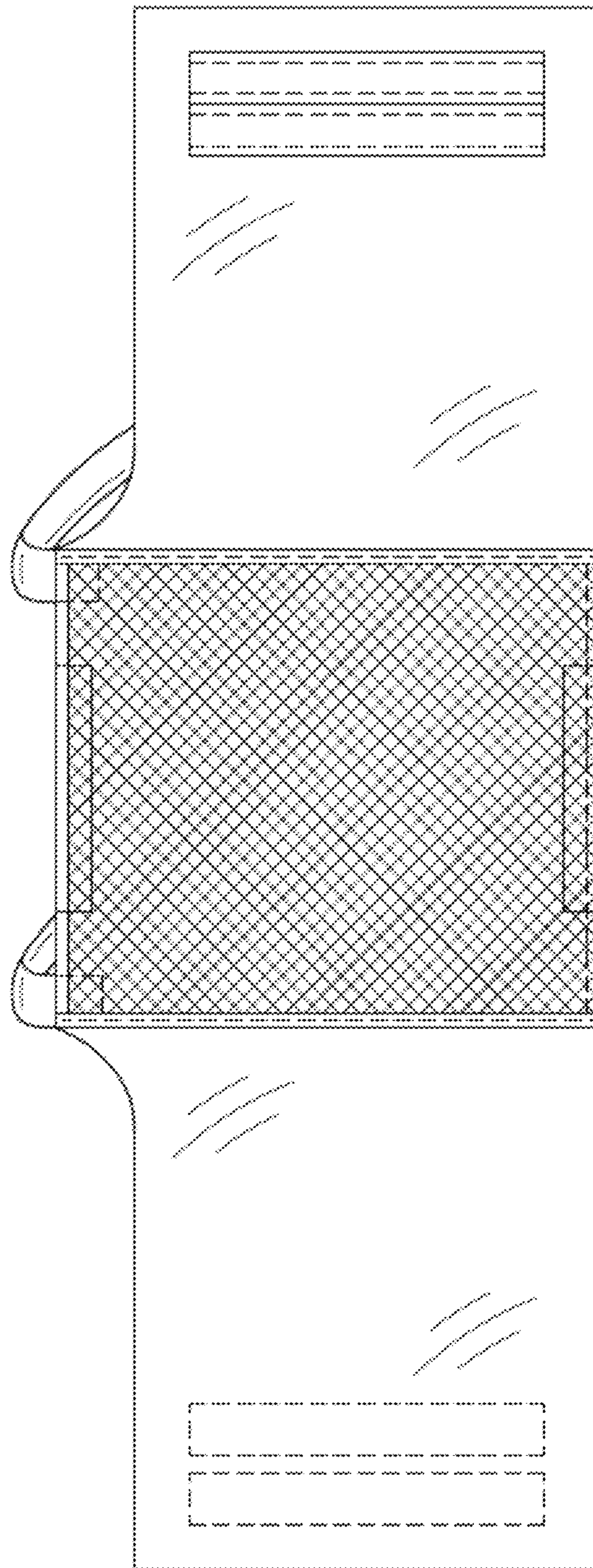


Fig. 1

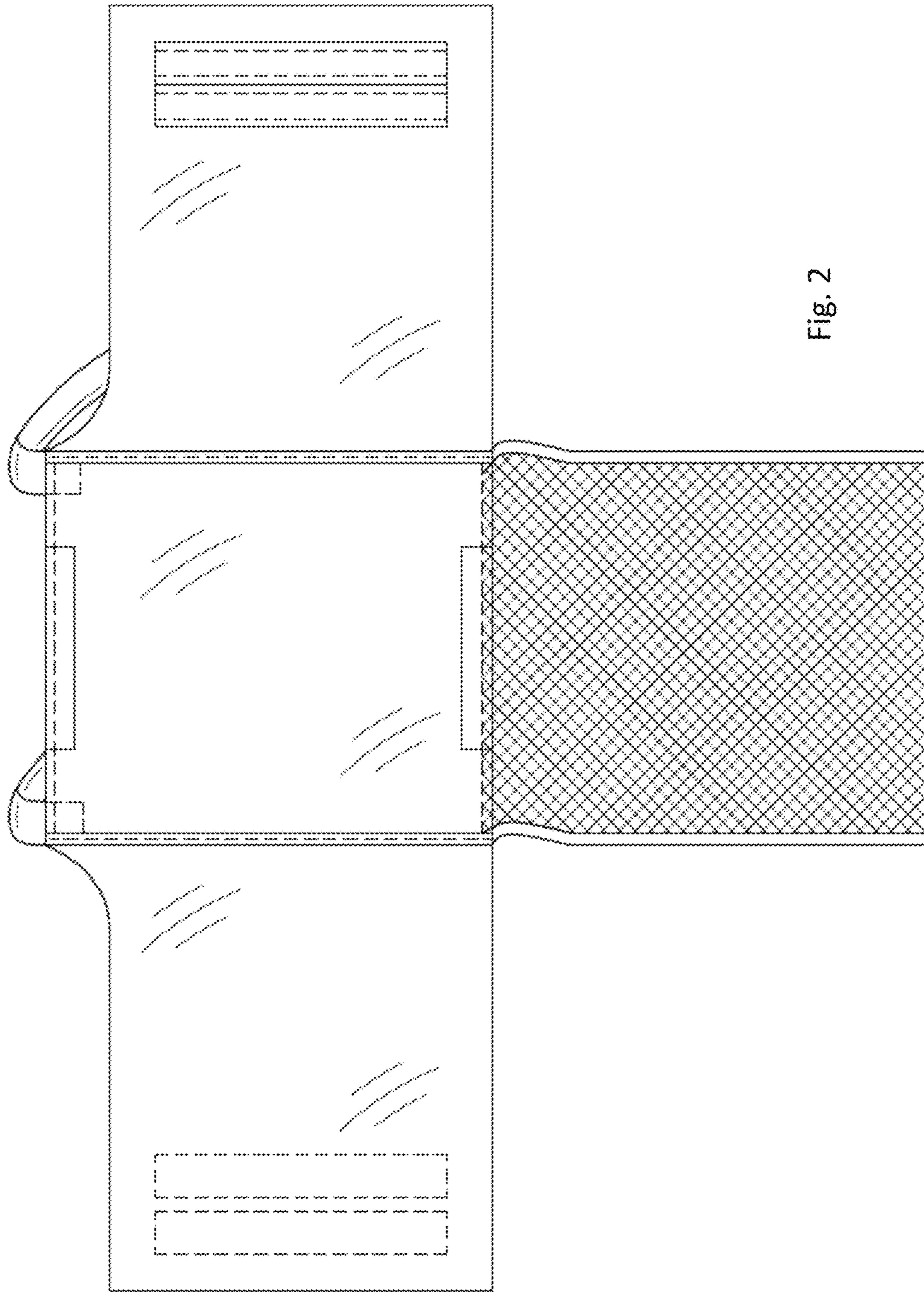


Fig. 2

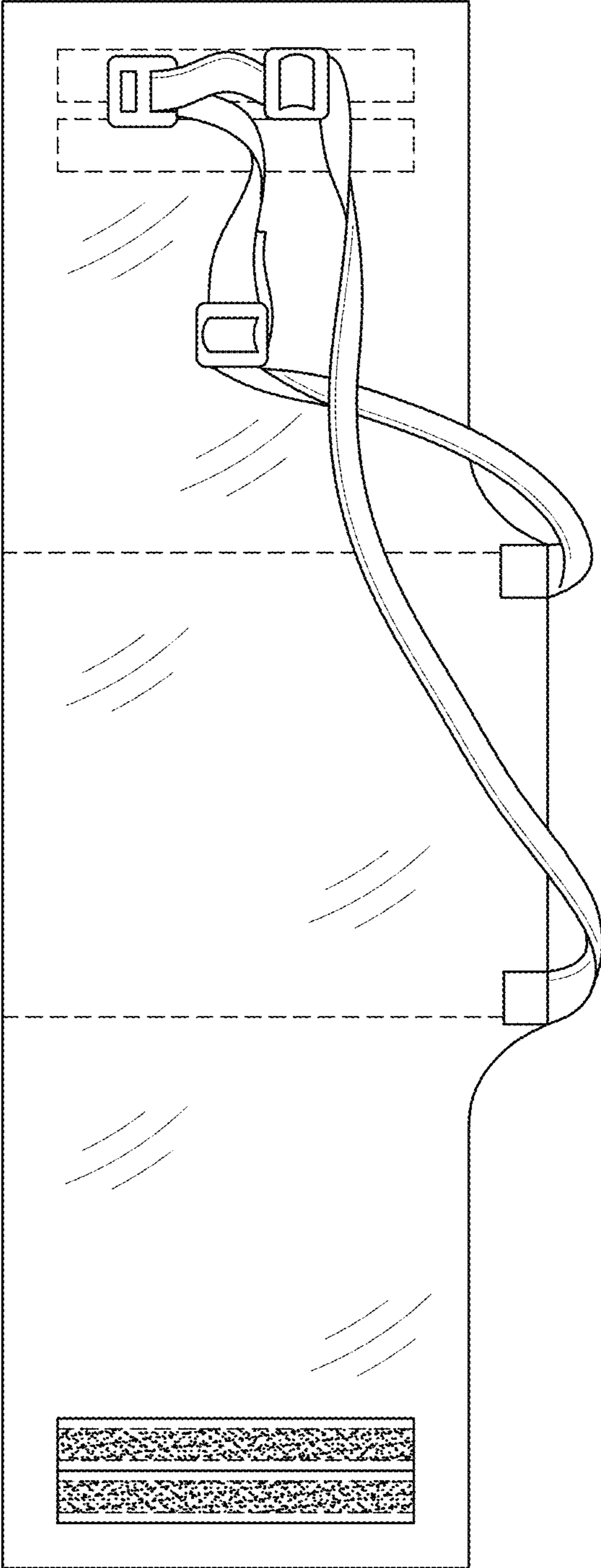


FIG. 3

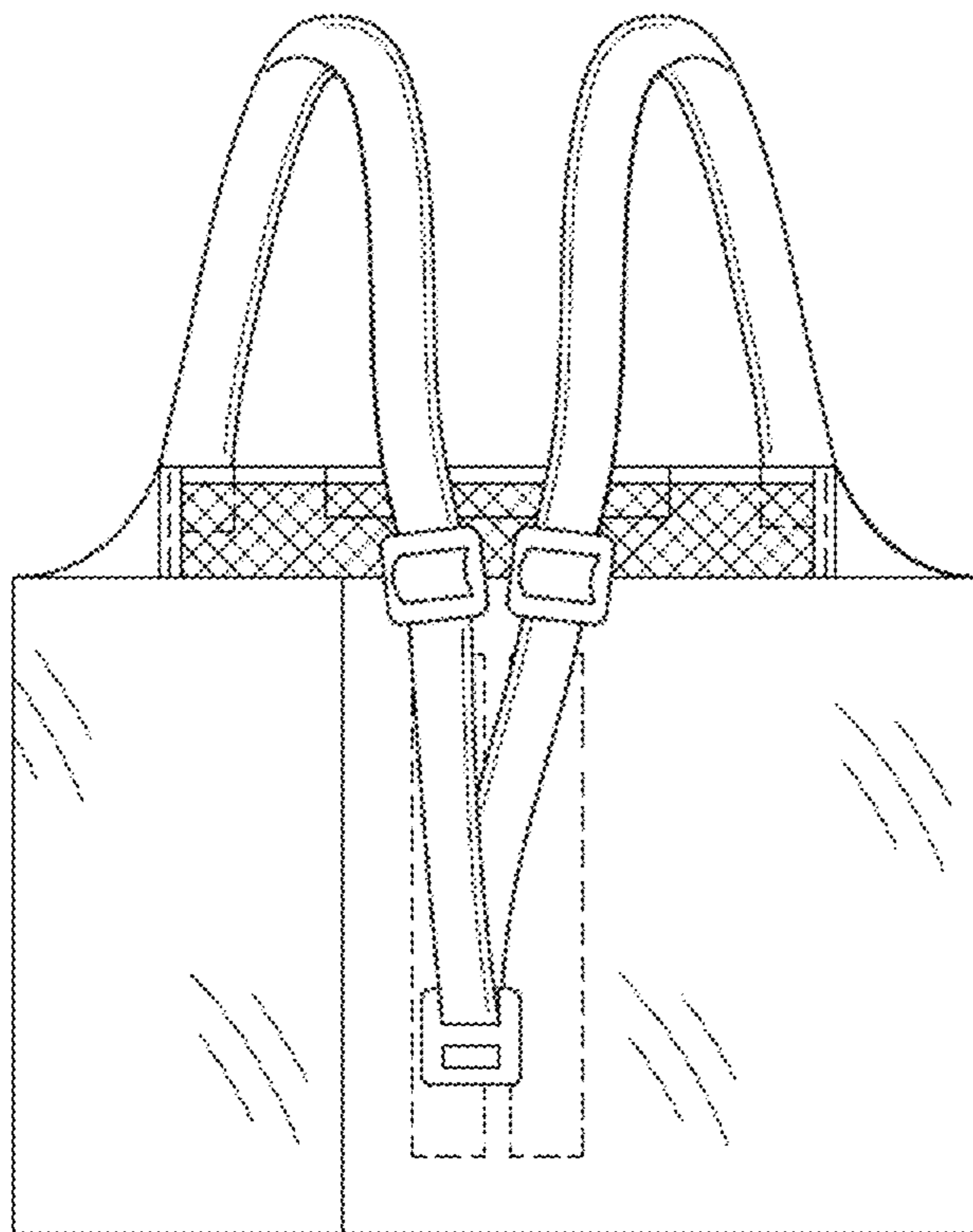


FIG. 4

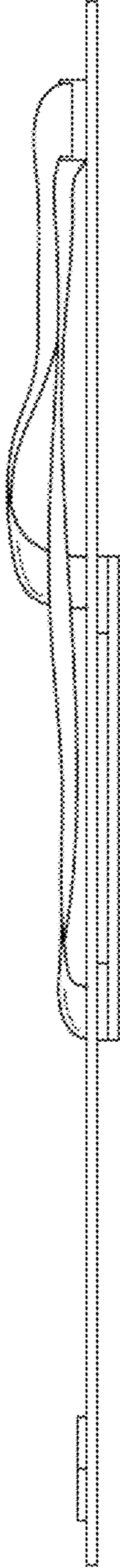


Fig. 5

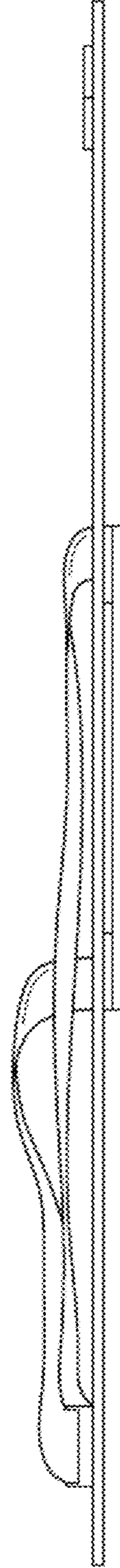


Fig. 6

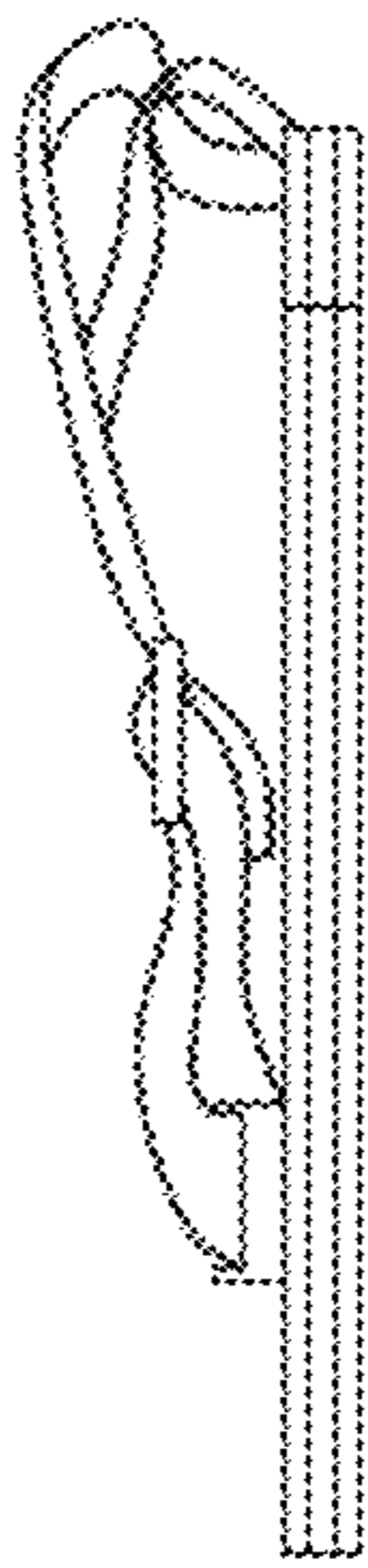


Fig. 7



Fig. 8