



US00D803488S

(12) **United States Design Patent**
Nifong et al.

(10) **Patent No.:** **US D803,488 S**

(45) **Date of Patent:** **** Nov. 21, 2017**

(54) **ANT MOAT FOR NECTAR BIRD FEEDER**

(71) Applicant: **Classic Brands, LLC**, Denver, CO
(US)

(72) Inventors: **Lindsey Nifong**, Denver, CO (US);
Bryan Krueger, Denver, CO (US)

(73) Assignee: **Classic Brands, LLC**, Denver, CO
(US)

(**) Term: **15 Years**

(21) Appl. No.: **29/604,951**

(22) Filed: **May 22, 2017**

Related U.S. Application Data

(63) Continuation of application No. 29/561,281, filed on
Apr. 14, 2016, now Pat. No. Des. 790,777.

(51) **LOC (10) Cl.** **30-03**

(52) **U.S. Cl.**

USPC **D30/124**; D30/128; D30/127

(58) **Field of Classification Search**

USPC D30/121, 124, 127, 128, 133, 114, 115,
D30/116, 117, 118, 119, 125, 126;
119/51.03, 57.8, 51.01, 52.2, 710, 711,
119/52.3, 464, 707, 709, 57.9, 124, 51.04;
43/2, 131.107, 121, 122, 124, 132.1, 133;
47/86, 65, 65.5, 67, 39, 41.12, 79; 426/1,
426/439, 556; D11/121, 120, 79, 117;
428/10, 18, 27; D7/352, 356; 156/256,
156/263; 66/170; 99/372, 377, 403;
425/318, 395, 404; 248/175, 27.8;
211/85.31, 88.03, 23; 362/122, 227,
362/249.15, 249.16, 249.18, 806

CPC A01K 39/02; A01K 39/0206; A01K 39/04;
A01K 39/012; A01K 39/026

See application file for complete search history.

(56) **References Cited**

U.S. PATENT DOCUMENTS

755,786	A *	3/1904	Martin	A47G 19/02 220/574
1,391,353	A *	9/1921	Wells	A47G 7/041 47/71
D202,447	S *	9/1965	Nelson	D9/425
4,691,665	A *	9/1987	Hefner	A01K 39/012 119/57.8
4,980,990	A *	1/1991	Hiday	A01K 39/0113 43/107
5,062,390	A *	11/1991	Bescherer	A01K 39/0206 119/72
D330,097	S *	10/1992	Bescherer	D30/124
5,195,463	A *	3/1993	Lorenzana	A01K 45/002 119/52.2
5,507,249	A *	4/1996	Shaw	A01K 39/0206 119/72
D374,204	S *	10/1996	Weder	D11/143
5,638,638	A *	6/1997	Moskowitz	A01G 9/04 47/71
D389,373	S *	1/1998	Belue	D7/354

(Continued)

Primary Examiner — Susan Moon Lee

(74) *Attorney, Agent, or Firm* — Polsinelli PC

(57) **CLAIM**

The ornamental design for an ant moat for nectar bird feeder,
as shown and described.

DESCRIPTION

FIG. 1 is an isometric view of an ant moat for nectar bird
feeder.

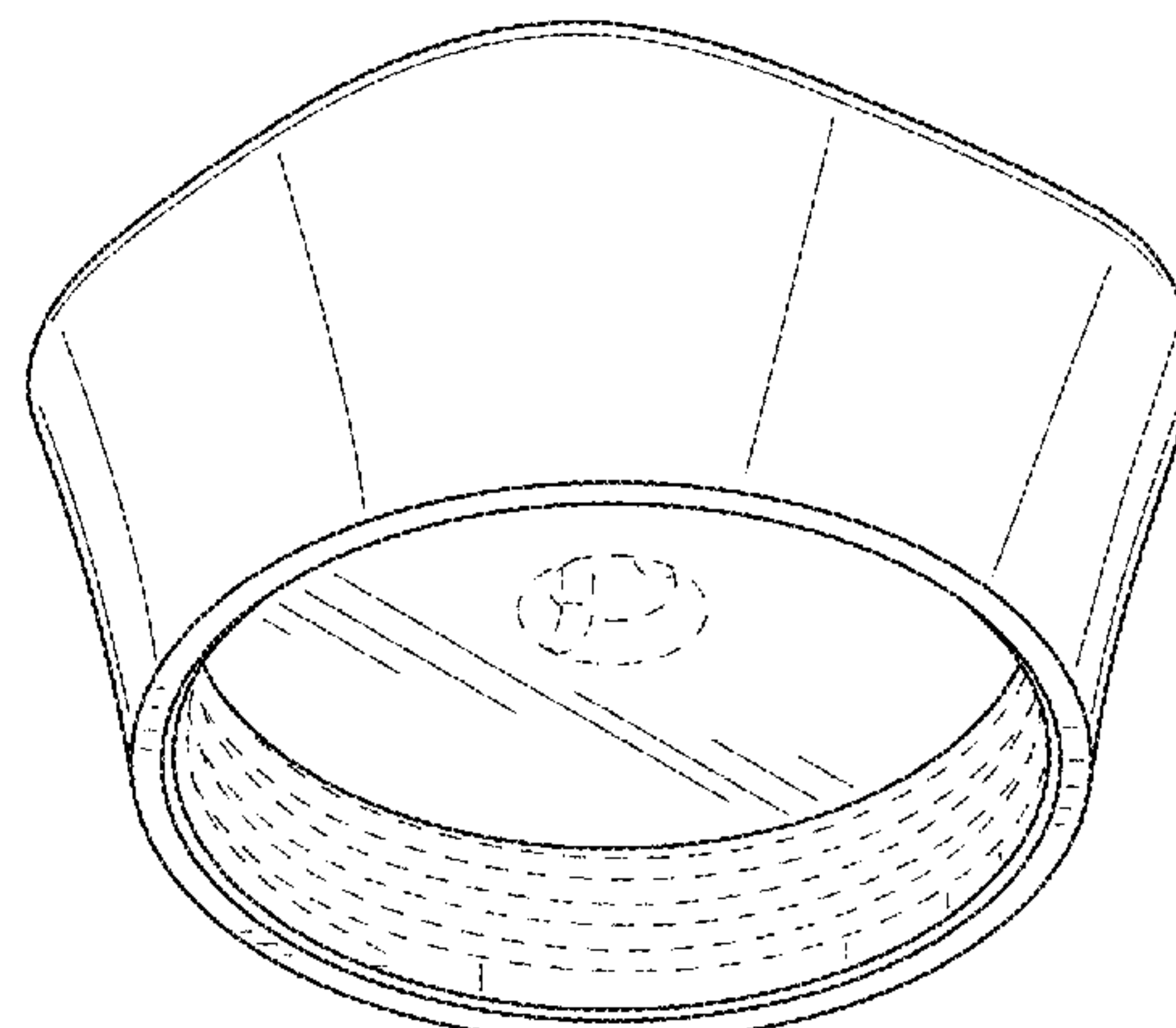
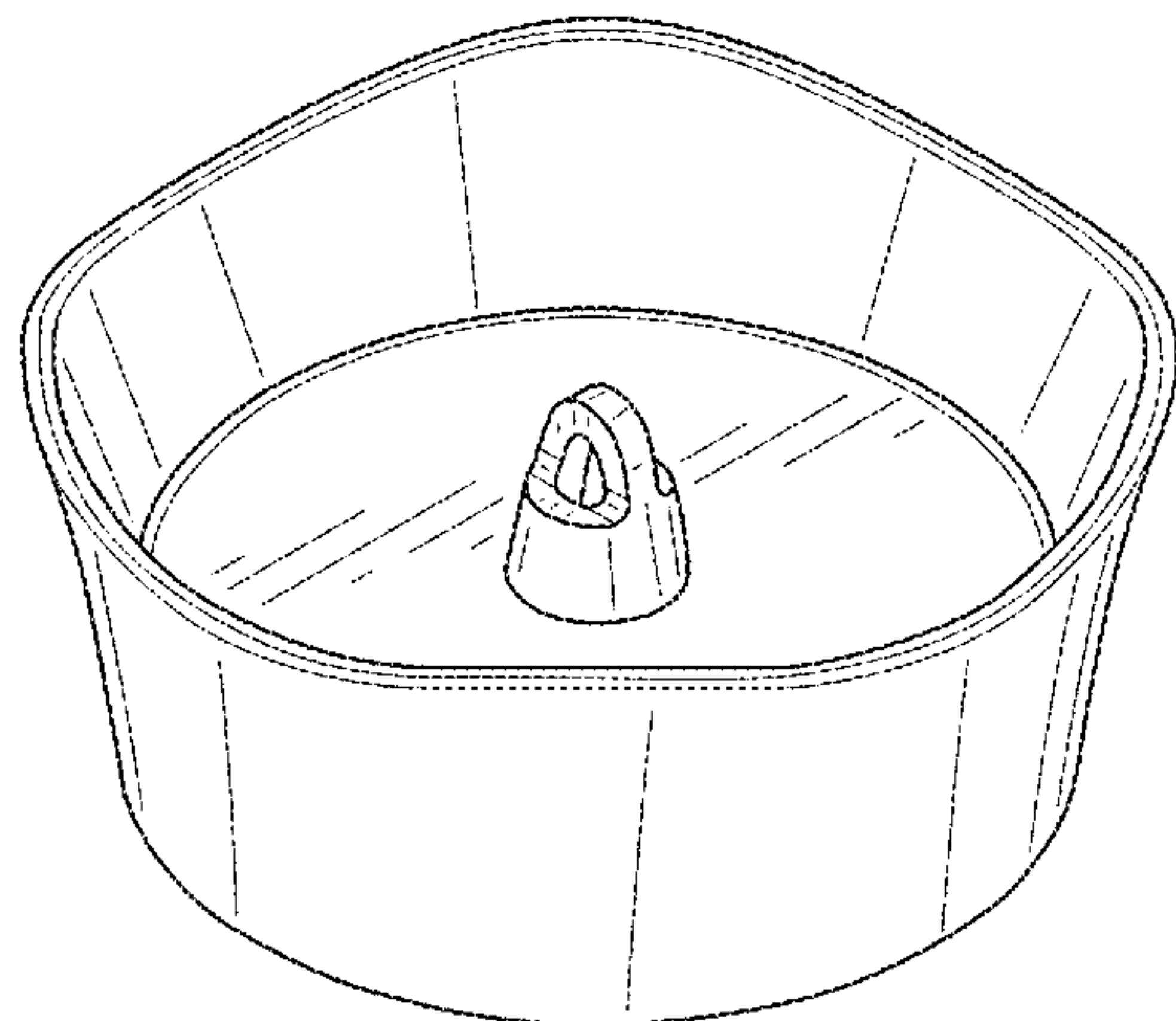
FIG. 2 is a bottom perspective view thereof.

FIG. 3 is a side view thereof.

FIG. 4 is a top view thereof; and,

FIG. 5 is a bottom view thereof.

(Continued)



The broken lines in the Figures show portions of the ant moat for nectar bird feeder that form no part of the claimed design.

1 Claim, 3 Drawing Sheets

(56)

References Cited

U.S. PATENT DOCUMENTS

D402,915 S *	12/1998	Weder	D11/164					
6,067,934 A *	5/2000	Harwich	A01K 39/014					
				119/51.03					
D443,479 S *	6/2001	Indekeu	D7/554.1					
D444,350 S *	7/2001	Indekeu	D7/554.1					
D447,008 S *	8/2001	Indekeu	D7/566					
D478,780 S *	8/2003	Lugo	D7/566					
D490,745 S *	6/2004	Fan	D11/143					
D509,325 S *	9/2005	Jung	A01K 39/012					
				D30/127					
D514,750 S *	2/2006	Matula	D30/129					
7,093,562 B2 *	8/2006	Smothers	A01K 39/0206					
				119/72					
D528,366 S *	9/2006	Medard	D7/545					
D530,457 S *	10/2006	Jung	D30/127					
D542,479 S *	5/2007	O'Dell	D30/124					
D574,195 S *	8/2008	LeVan	D7/586					
D589,754 S *	4/2009	Williams	D7/543					
D606,708 S *	12/2009	McMullen	D30/127					
D606,709 S *	12/2009	McMullen	D30/127					
D623,806 S *	9/2010	Modi	D30/129					
D643,248 S *	8/2011	Schmidt	D7/505					
D661,949 S *	6/2012	Geraghty	D7/566					
D664,399 S *	7/2012	Henry	D7/566					
8,360,005 B1 *	1/2013	Allen	A01K 5/0142					
				119/61.53					
D682,481 S *	5/2013	Krueger	D30/124					
D682,482 S *	5/2013	Nelson	D30/129					
8,763,849 B2 *	7/2014	Benetti	A47G 19/2255					
				215/371					
D715,091 S *	10/2014	Thun	D7/354					
D715,092 S *	10/2014	Thun	D7/354					
D715,588 S *	10/2014	Thun	D7/354					
D717,200 S *	11/2014	Thuma	D11/152					
D717,201 S *	11/2014	Thuma	D11/152					
D721,208 S *	1/2015	Chen	D30/124					
D728,864 S *	5/2015	Schroeder	D30/124					
D729,989 S *	5/2015	Krueger	D30/124					
D743,636 S *	11/2015	Krueger	D22/122					
RE45,837 E *	1/2016	Krueger	D30/124					
D757,373 S *	5/2016	Breit	D30/129					
D759,342 S *	6/2016	Clements	D1/122					
D784,770 S *	4/2017	Likar	D7/566					
D788,380 S *	5/2017	Krueger	D22/122					
D789,621 S *	6/2017	Nifong	D30/124					
D790,777 S *	6/2017	Nifong	D30/124					
2004/0074139 A1 *	4/2004	Forehand	A01M 1/106					
				43/122					
2005/0160659 A1 *	7/2005	Forehand	A01M 1/106					
				43/107					
2006/0090707 A1 *	5/2006	Donegan	A01K 39/012					
				119/72					
2006/0096545 A1 *	5/2006	Cone	A01K 5/0142					
				119/61.53					
2007/0006813 A1 *	1/2007	Smothers	A01K 39/012					
				119/72					
2007/0284332 A1 *	12/2007	Gowans	B65D 1/06					
				215/370					
2008/0168701 A1 *	7/2008	Hu	A01M 1/04					
				43/107					
2010/0089330 A1 *	4/2010	McMullen	A01K 39/0206					
				119/52.3					
2011/0239949 A1 *	10/2011	Abbott	A01K 39/02					
				119/72					
2012/0311919 A1 *	12/2012	Hardigree	A01M 1/106					
				43/107					
2013/0284102 A1 *	10/2013	McCune	A01K 7/00					
				119/72					
2013/0291802 A1 *	11/2013	Carpentieri	A01K 7/00					
				119/72					
2014/0137804 A1 *	5/2014	Chen	A01K 39/0206					
				119/72					
2015/0136032 A1 *	5/2015	Cote	A01K 39/012					
				119/57.8					
2016/0316724 A1 *	11/2016	Donegan	A01K 39/012					

* cited by examiner

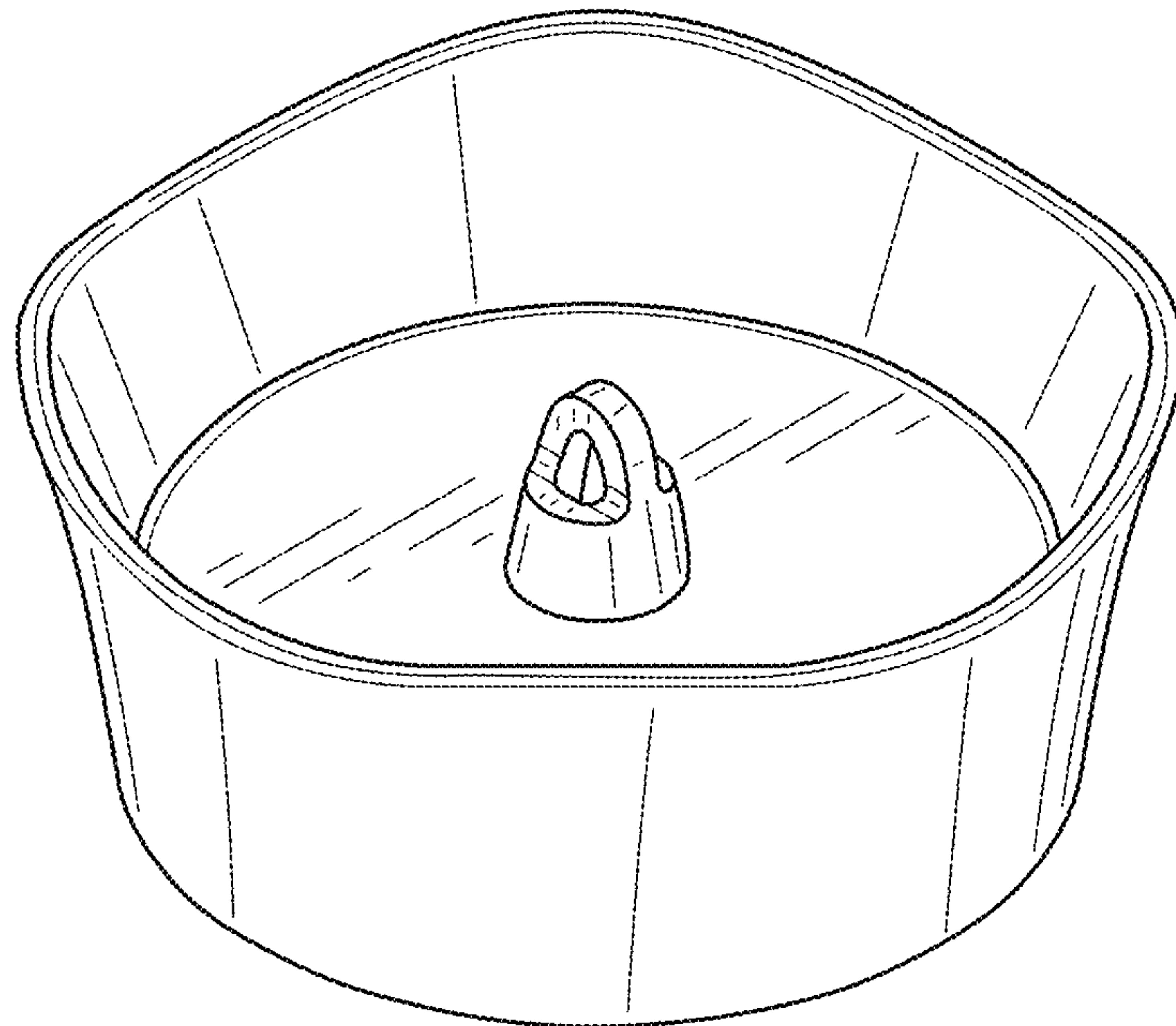


FIG. 1

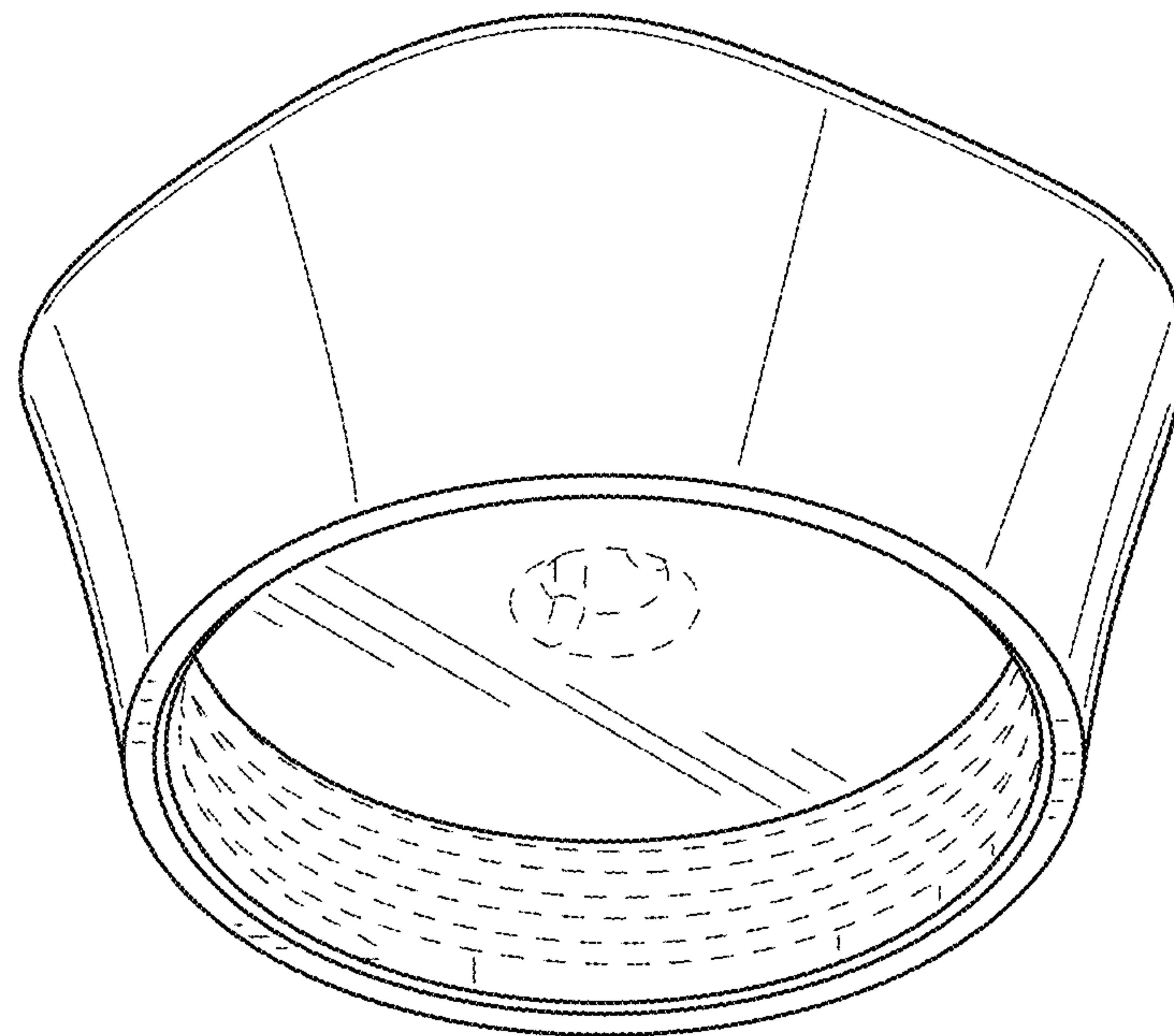


FIG. 2

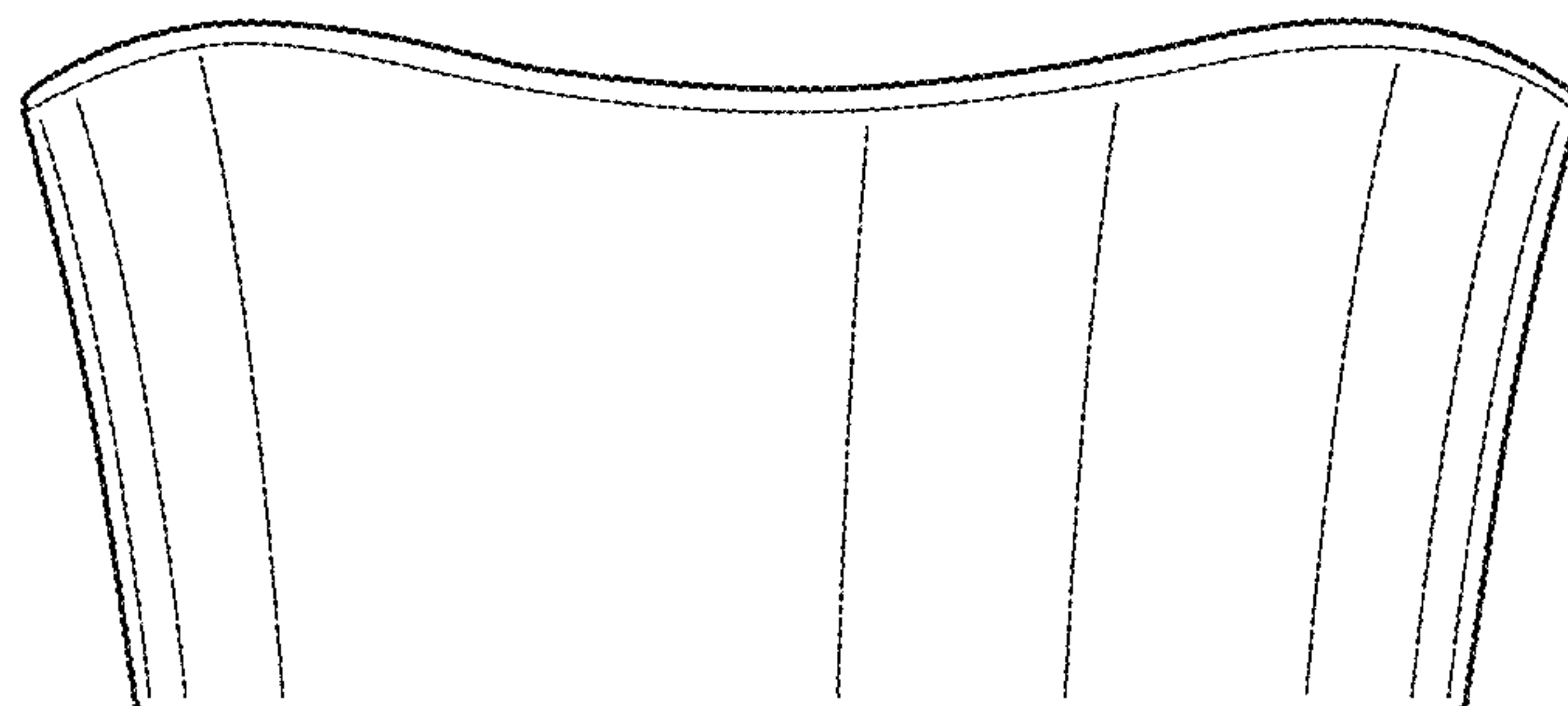


FIG. 3

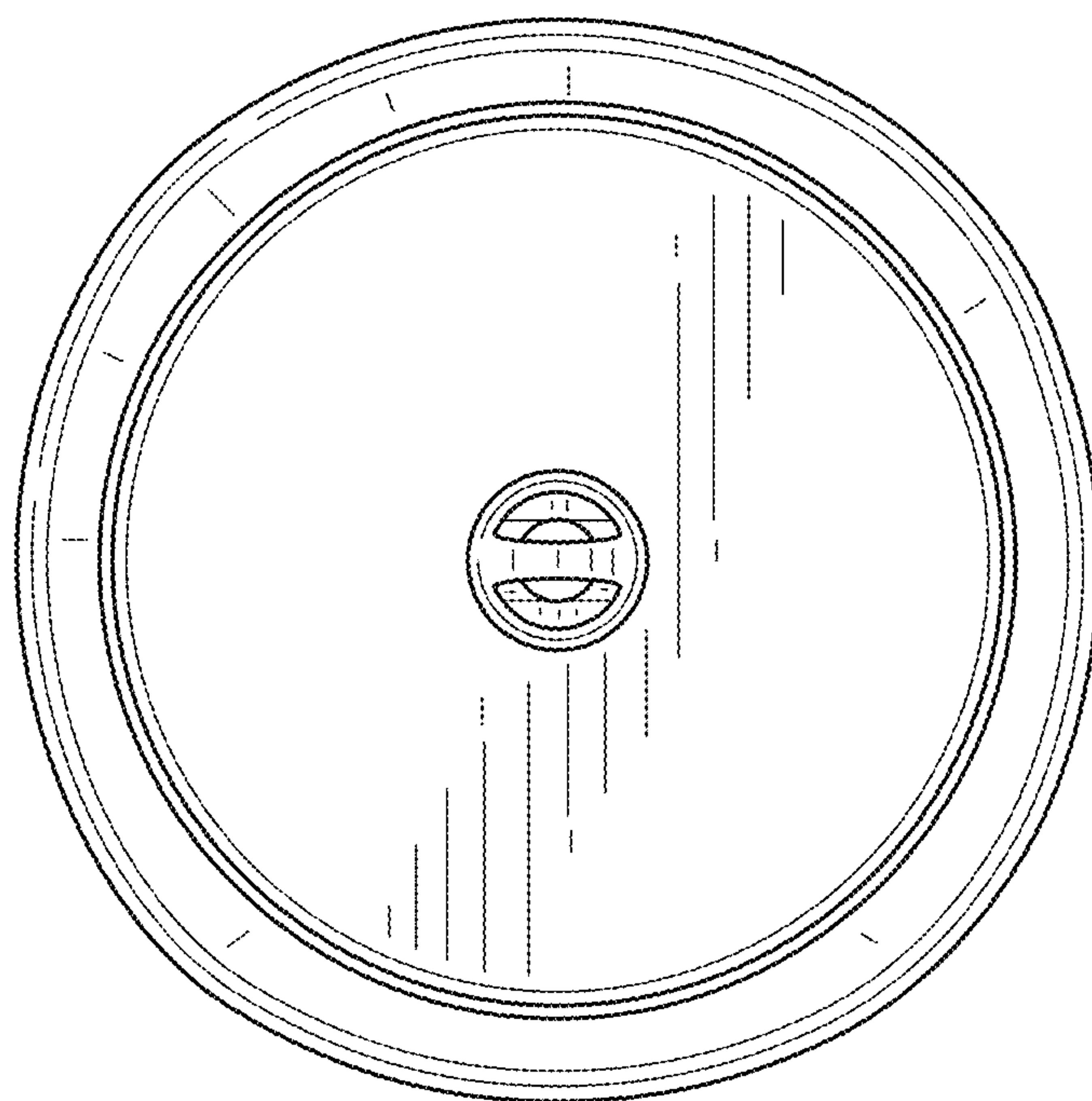


FIG. 4

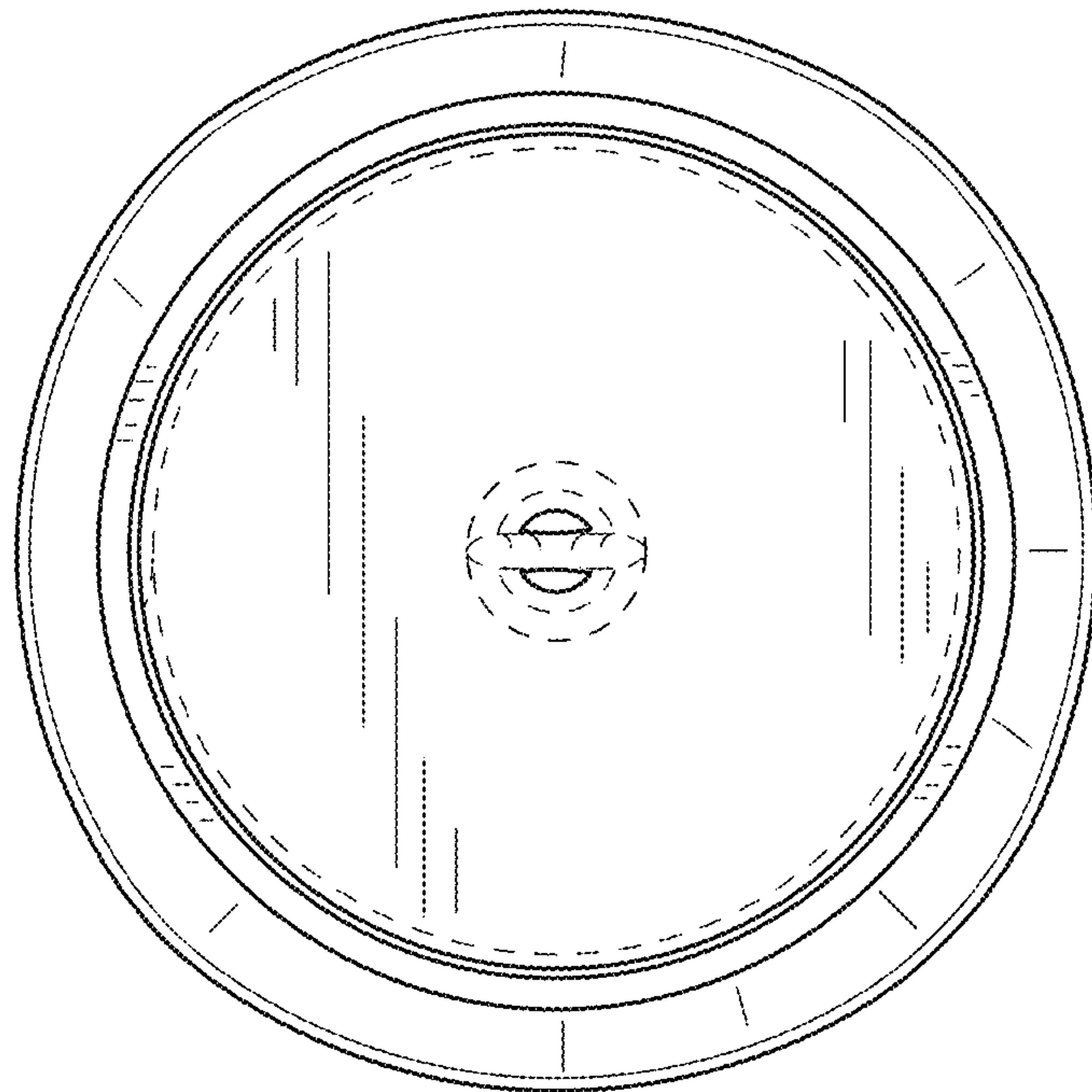


FIG. 5