



US00D803486S

(12) **United States Design Patent**
Patel et al.

(10) **Patent No.:** **US D803,486 S**
(45) **Date of Patent:** **** Nov. 21, 2017**

- (54) **PROTECTIVE HELMET**
- (71) Applicant: **Illinois Tool Works Inc.**, Glenview, IL (US)
- (72) Inventors: **Nishank R. Patel**, Appleton, WI (US);
Eric T. Sommers, Appleton, WI (US)
- (73) Assignee: **ILLINOIS TOOL WORKS INC.**,
Glenview, IL (US)
- (**) Term: **15 Years**
- (21) Appl. No.: **29/589,652**
- (22) Filed: **Jan. 3, 2017**

Related U.S. Application Data

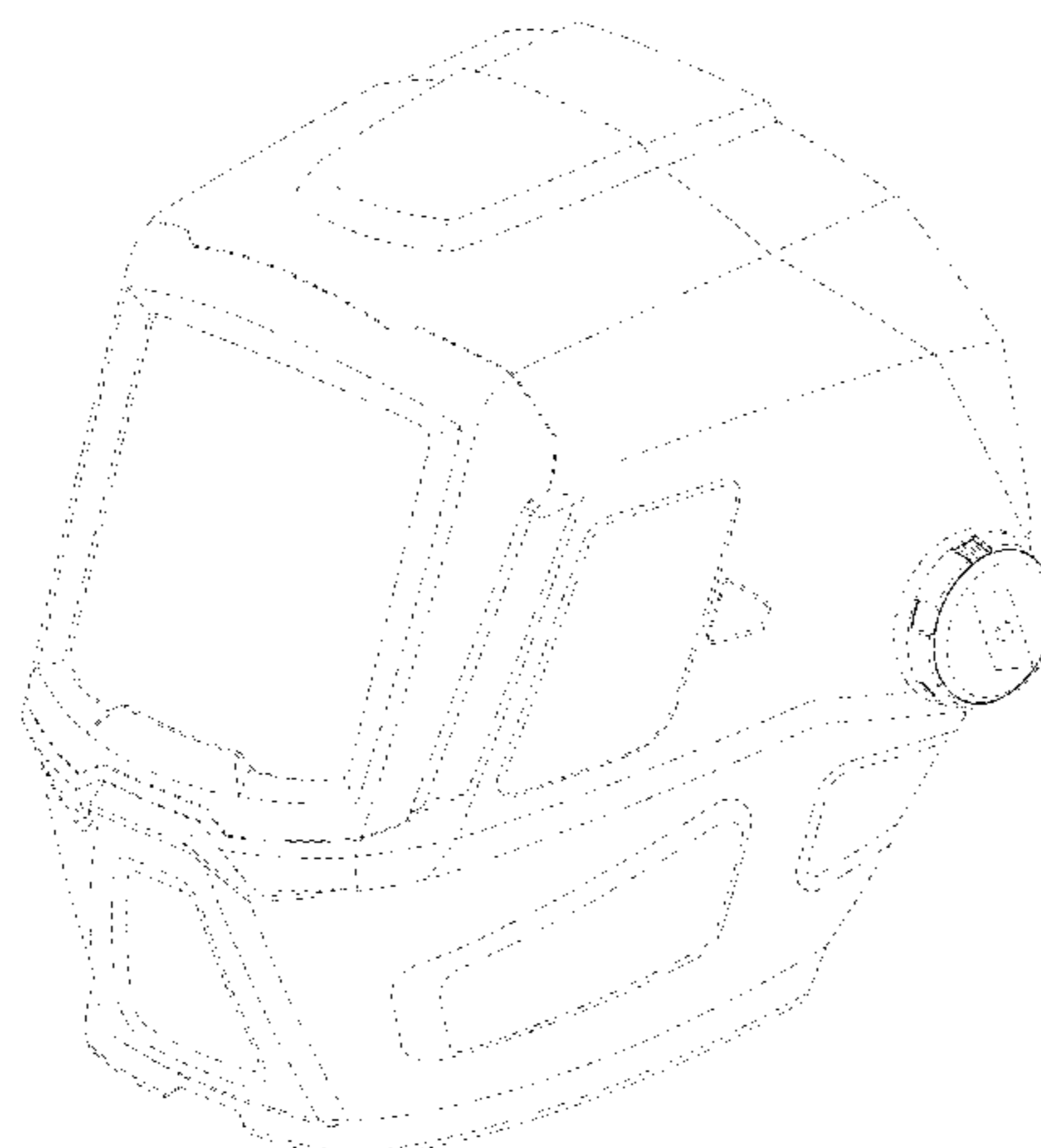
- (63) Continuation of application No. 29/565,464, filed on May 20, 2016, now Pat. No. Des. 779,128.
- (51) **LOC (10) Cl.** **29-03**
- (52) **U.S. Cl.**
USPC **D29/122**
- (58) **Field of Classification Search**
USPC D29/110, 102, 106-107, 122; D24/110.1, D24/110.2, 110.3; D8/313, 321-322, D8/300; D7/393, 396
CPC .. A61F 9/06; A61F 9/061; A61F 9/064; A61F 9/065; A61F 9/067; A61F 9/068; G01F 15/001; G01F 15/005; A41D 13/0556; A41D 13/1161; A41D 13/1184; A44B 17/007; A44B 17/0064; A44B 17/0082; E05D 11/1007; F16H 37/12; A62B 18/02; A62B 18/18; A42B 3/223; A42B 3/04; A42B 3/142; G05G 1/10; G05G 1/087; G05G 1/04; B60N 2/2845; F16M 11/041; F23K 5/007; F23N 2035/24; F24C 3/12; F24C 3/124; F24C 3/26
See application file for complete search history.

2,487,848 A	11/1949	Bowers	
2,658,200 A	11/1953	Bowers, Sr.	
2,700,158 A	1/1955	Larsen	
3,413,972 A	12/1968	Depping	
3,430,263 A *	3/1969	Newcomb	A42B 3/225 2/8.1
3,696,442 A	10/1972	Amundsen	
3,881,478 A	5/1975	Rosendahl	
4,109,320 A *	8/1978	Anderson	A42B 3/04 2/10
4,293,757 A *	10/1981	Niemi	A61F 9/068 2/8.6
D270,642 S *	9/1983	Watts	D15/126
4,479,738 A *	10/1984	Kubnick	A42B 3/04 2/10
4,499,630 A *	2/1985	Harris	F24C 3/124 16/441
4,853,973 A	8/1989	Boochar	
D316,020 S *	4/1991	Fushiya	D8/61
5,003,632 A *	4/1991	Claude	A62B 18/084 128/201.24
5,012,528 A *	5/1991	Pernicka	A42B 3/04 2/10
5,040,528 A *	8/1991	O'Neill	A62B 7/10 128/201.27
D329,590 S *	9/1992	Chapman	D8/322
5,412,811 A	5/1995	Hildenbrand	
D365,666 S *	12/1995	Gumpp	D29/110
D393,933 S *	4/1998	Huh	D29/110
D421,116 S *	2/2000	Mattila	D24/110
6,032,297 A *	3/2000	Barthold	A42B 3/10 2/416
6,035,451 A *	3/2000	Burns	A42B 3/10 2/424
6,055,983 A *	5/2000	Metzger	A62B 23/02 128/206.12
D433,751 S *	11/2000	Reischel	D24/110
6,154,881 A *	12/2000	Lee	A61F 9/045 2/9
6,185,739 B1	2/2001	Verkic et al.	
6,260,197 B1 *	7/2001	Hoogewind	A61F 9/061 2/8.3
6,264,392 B1 *	7/2001	Wise	A42B 3/225 16/342
D449,103 S *	10/2001	Legare	D24/110
6,298,498 B1	10/2001	Burns et al.	
6,367,085 B1	4/2002	Berg	
D465,568 S *	11/2002	Petherbridge	D24/110
D467,489 S *	12/2002	Rubinson	D8/310
D492,559 S *	7/2004	Itano	D8/51
6,973,676 B1	12/2005	Simpson	
D520,856 S *	5/2006	Osiecki	D8/312

(56) **References Cited**

U.S. PATENT DOCUMENTS

1,601,830 A 10/1926 Huntsman
2,169,745 A 8/1939 Shipman



D520,859	S *	5/2006	Osiecki	D8/312
D521,190	S *	5/2006	Wu	D29/110
D530,185	S *	10/2006	Osiecki	D8/300
7,120,939	B1 *	10/2006	Howard	A42B 3/14 2/416
D543,828	S *	6/2007	Strutin-Belinoff	D8/310
D557,128	S *	12/2007	Sawdon	D8/382
7,441,282	B2	10/2008	Heine	
D584,003	S	12/2008	Juhlin	
D589,654	S *	3/2009	Juhlin	D29/122
D589,776	S *	4/2009	Camp	D8/310
D590,232	S *	4/2009	Demers	D8/107
7,534,005	B1	5/2009	Buckman	
D600,094	S *	9/2009	Hwang	D8/312
D602,639	S	10/2009	Ho	
D617,459	S *	6/2010	Bogue	D12/197
D626,963	S *	11/2010	Kim	D14/420
D632,944	S *	2/2011	Kang	D8/312
8,056,152	B2	11/2011	Brace	
8,214,920	B1	7/2012	Edgar	
D667,173	S *	9/2012	Juhlin	D29/122
8,336,114	B1 *	12/2012	Lee	A42B 3/145 2/9
D674,150	S *	1/2013	Juhlin	D29/122
D676,551	S *	2/2013	Desai	D24/129
8,381,312	B2	2/2013	Seo	
8,387,162	B2	3/2013	Huh	
D684,252	S *	6/2013	Okada	D23/411
8,584,265	B2 *	11/2013	Lilenthal	A42B 3/14 2/417
8,627,517	B2	1/2014	Ahlgren et al.	
D710,546	S	8/2014	Wu	
8,826,464	B2	9/2014	Wu	
D722,259	S *	2/2015	Conner	D8/300
8,990,963	B2 *	3/2015	Matthews	A61F 9/061 2/8.2
D735,949	S	8/2015	Dion	
D735,951	S	8/2015	Birath	
9,125,448	B2 *	9/2015	Klotz	A42B 3/221
9,155,923	B2 *	10/2015	Proctor	A62B 18/02
D743,629	S	11/2015	Peng	
D749,796	S	2/2016	Barmore	
9,427,040	B2	8/2016	Leyland	
D767,829	S	9/2016	Wu	
9,516,911	B2 *	12/2016	Happel	A42B 3/225
2003/0135911	A1 *	7/2003	Wang-Lee	A61F 9/064 2/169
2004/0179149	A1	9/2004	Wang-Lee	
2006/0080761	A1 *	4/2006	Huh	A42B 3/04 2/424
2007/0113318	A1	5/2007	Weston	
2007/0220649	A1 *	9/2007	Huh	A61F 9/025 2/9
2008/0060102	A1 *	3/2008	Matthews	A61F 9/061 2/8.2
2009/0210989	A1	8/2009	Becker et al.	
2010/0050325	A1	3/2010	Wang-Lee	
2010/0229274	A1	9/2010	Ahlgren	
2010/0229286	A1	9/2010	Ahlgren	
2010/0235971	A1	9/2010	Ahlgren	
2011/0101890	A1 *	5/2011	Robinson	A61F 9/064 315/320
2011/0219506	A1	9/2011	Uttrachi	
2011/0265790	A1	11/2011	Walker et al.	
2013/0152919	A1	6/2013	Billingsley et al.	
2014/0298557	A1	10/2014	Townsend, Jr.	
2015/0143669	A1	5/2015	Pereira et al.	
2016/0081856	A1 *	3/2016	Hofer-Kraner	A61F 9/061 2/8.3
2016/0360821	A1	12/2016	Benton	

FOREIGN PATENT DOCUMENTS

EP	2 184 039	A1	5/2010
EP	2 462 825	A2	6/2012
EP	2 462 826	A2	6/2012
WO	2009/048829	A1	4/2009
WO	2009/048836	A1	4/2009

OTHER PUBLICATIONS

International Search Report and Written Opinion for PCT/US2015/035713 dated Oct. 27, 2015, 17 pages.
 International Search Report and Written Opinion for PCT/US2015/033054 dated Aug. 31, 2015, 12 pages.
 International Search Report and Written Opinion for PCT/US2015/035714 dated Oct. 8, 2015, 11 pages.
 International Search Report and Written Opinion for PCT/US2015/065213 dated Mar. 16, 2016, 11 pages.
 Miller 9400i welding helmet with an integrated grind shield, published at least as early as Jun. 16, 2014, 1 page.
 Speedglas 9100FX welding helmet with an integrated grind shield, published at least as early as Jun. 16, 2014, 1 page.
 Speedglas 9002X Flexview welding helmet with an integrated grind shield, published at least as early as Jun. 16, 2014, 1 page.
 Miller 9400i PAPR welding helmet with powered air purifying system, belt mounted blower with breathing tube connecting to manifold inside head assembly, published at least as early as Jun. 16, 2014, 1 page.
 Speedglas 9100X Air Adflo welding helmet with airflow delivery mechanism, published at least as early as Jun. 16, 2014, 1 page.
 Speedglas 9100FX Air Adflo welding helmet with airflow delivery mechanism, published at least as early as Jun. 16, 2014, 1 page.
 Miller headgear for a welding helmet, published at least as early as Jun. 16, 2014, 1 page.
 Speedglas headgear for a welding helmet, published at least as early as Jun. 16, 2014, 1 page.

* cited by examiner

Primary Examiner — Robert A Delehanty
 (74) *Attorney, Agent, or Firm* — Klintworth & Rozenblat IP LLP

(57) **CLAIM**

We claim the ornamental design for a protective helmet, as shown and described.

DESCRIPTION

FIG. 1 is a top, front perspective view of a protective helmet. FIG. 2 is an enlarged top, front perspective view of a portion of the protective helmet shown in FIG. 1. FIG. 3 is an enlarged top, rear perspective view of the portion of the protective helmet shown in FIG. 2. FIG. 4 is a front view of the protective helmet shown in FIG. 1. FIG. 5 is a left side view of the protective helmet shown in FIG. 1. FIG. 6 is a right side view of the protective helmet shown in FIG. 1. FIG. 7 is a top view of the protective helmet shown in FIG. 1. FIG. 8 is a bottom view of the protective helmet shown in FIG. 1. FIG. 9 is a top, front perspective view of a protective helmet. FIG. 10 is a front view of the protective helmet shown in FIG. 9. FIG. 11 is a left side view of the protective helmet shown in FIG. 9. FIG. 12 is a right side view of the protective helmet shown in FIG. 9. FIG. 13 is a top view of the protective helmet shown in FIG. 9; and, FIG. 14 is a bottom view of the protective helmet shown in FIG. 9.

Portions of the protective helmet and any exemplary environment shown in broken lines are for illustrative purposes only and form no part of the claimed design.

1 Claim, 13 Drawing Sheets

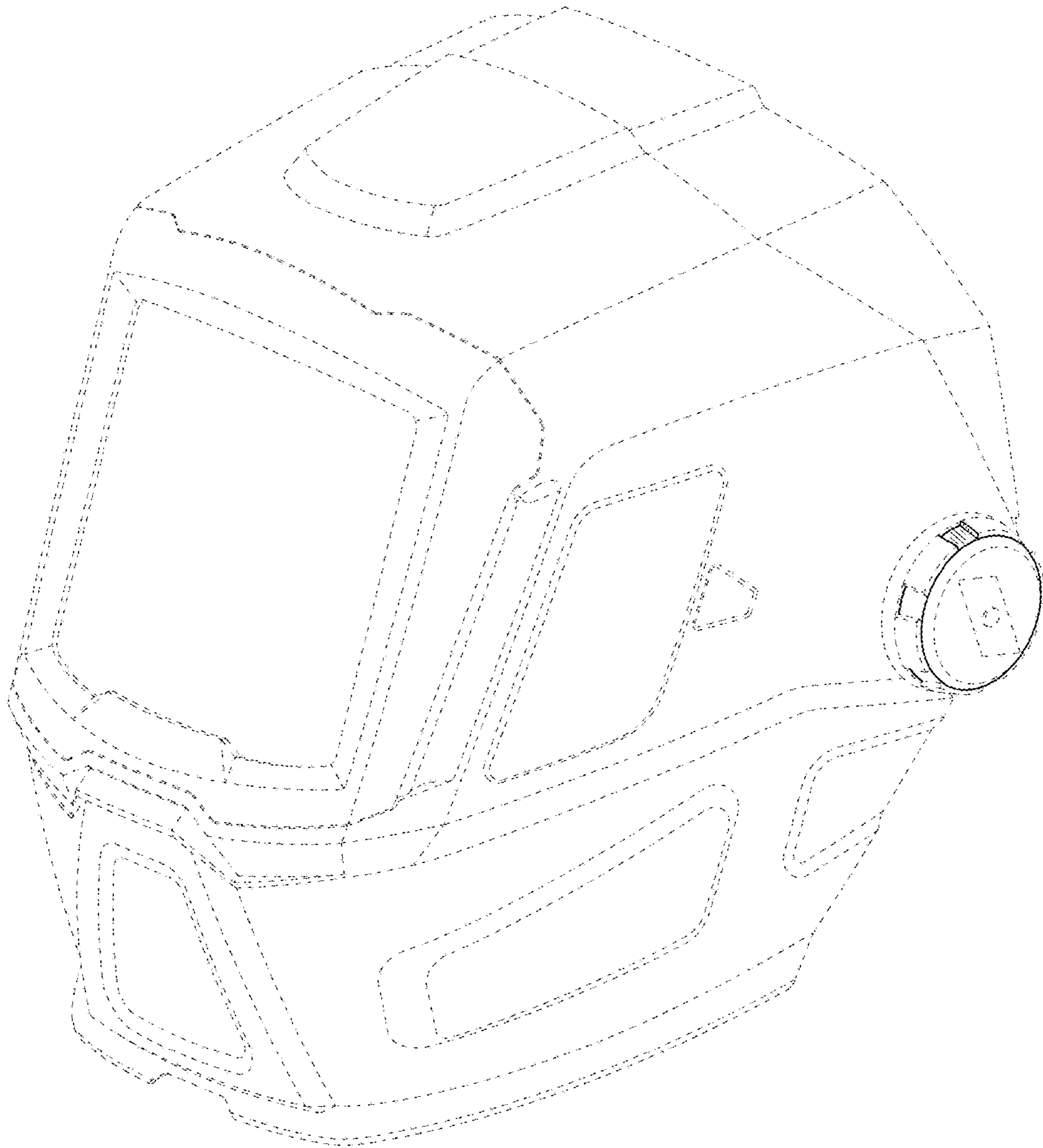


FIG. 1

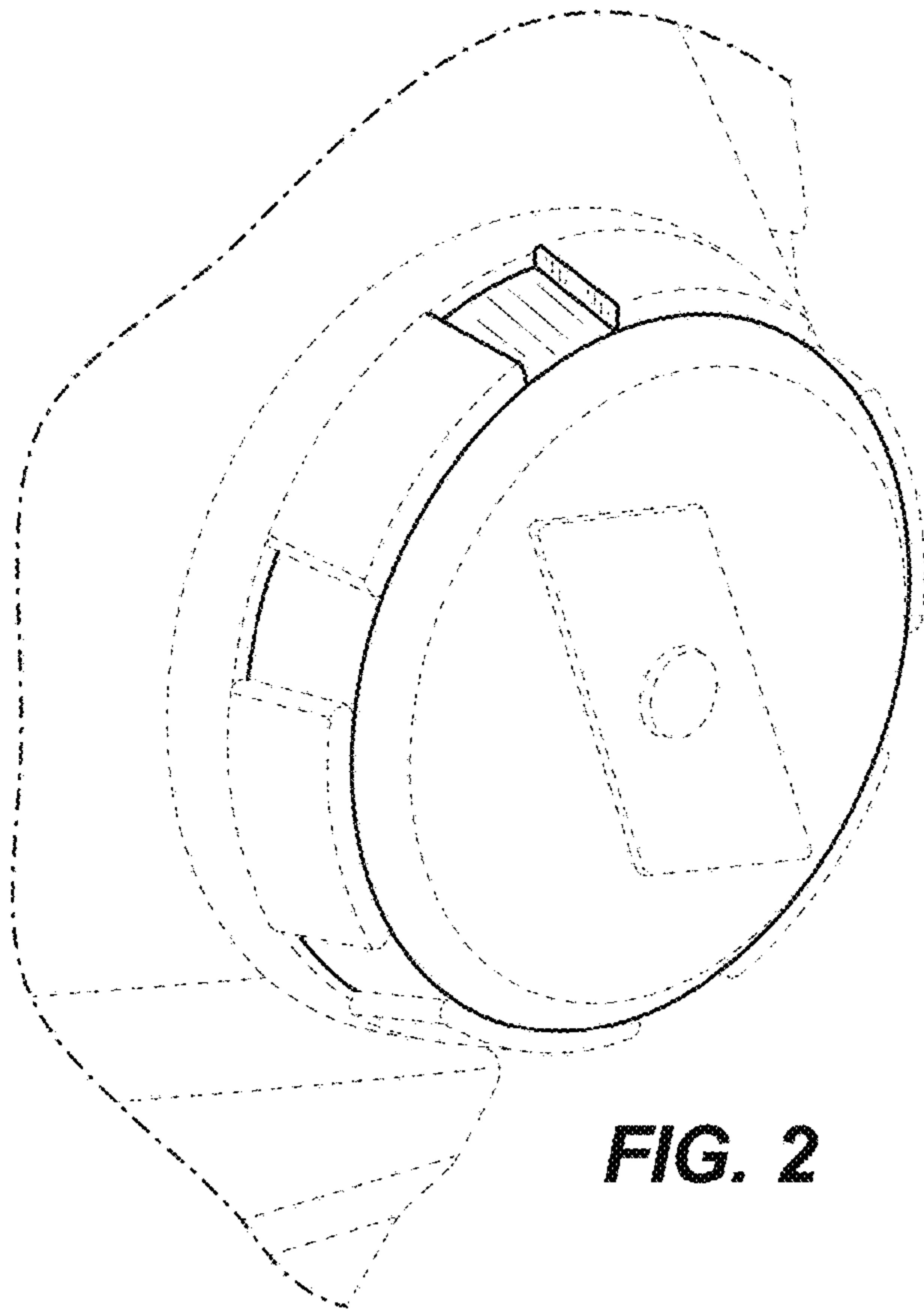


FIG. 2

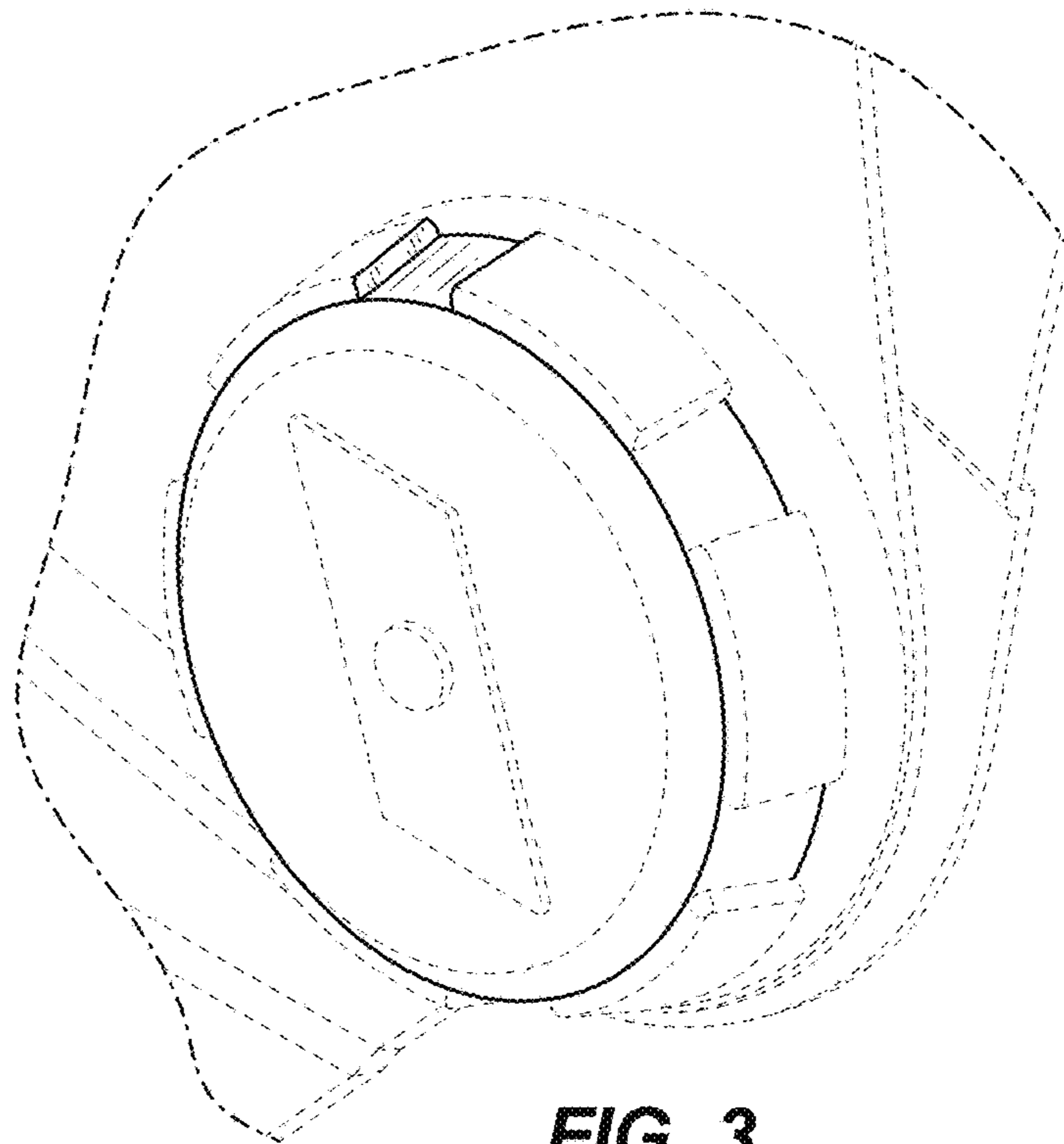


FIG. 3

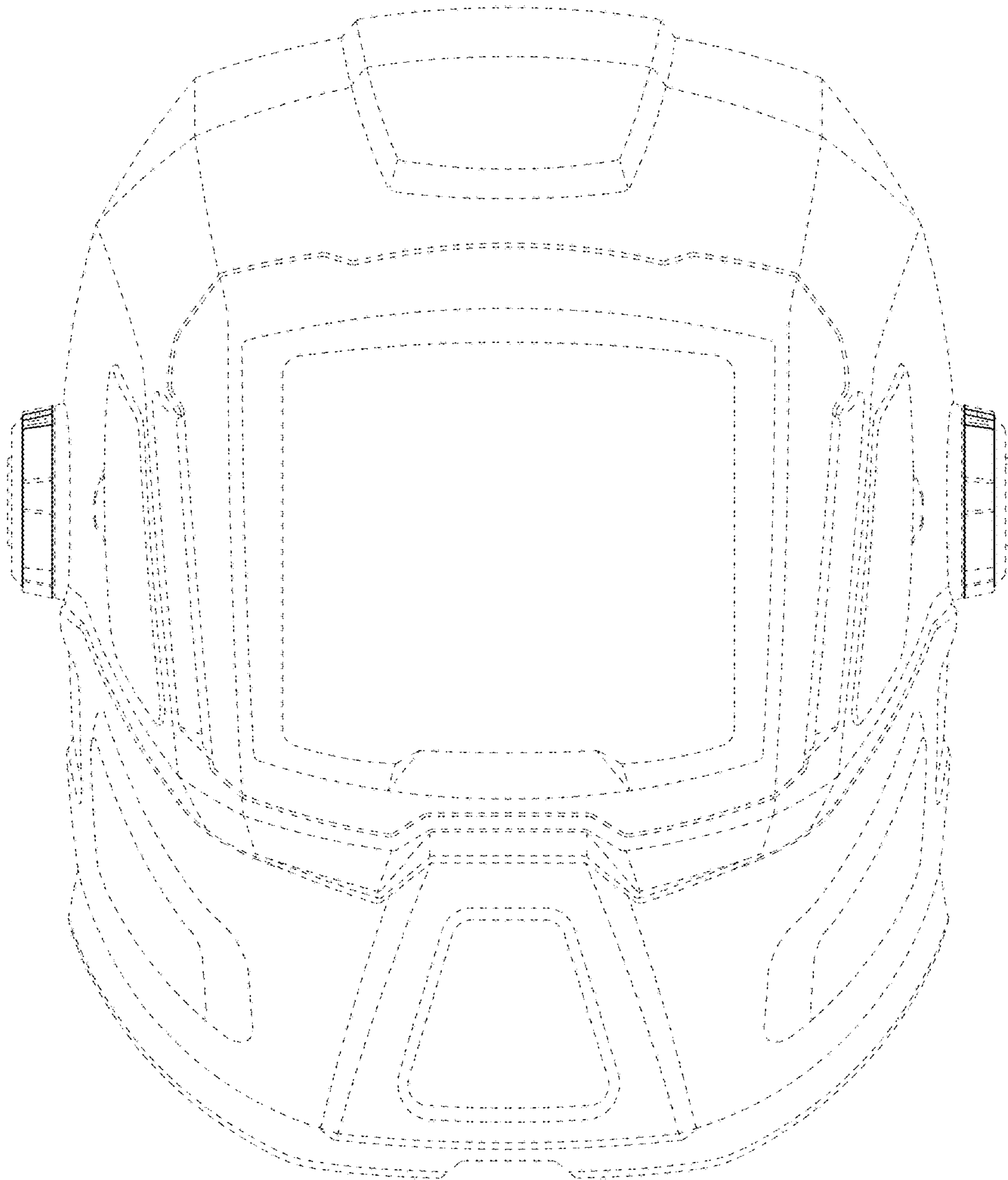


FIG. 4

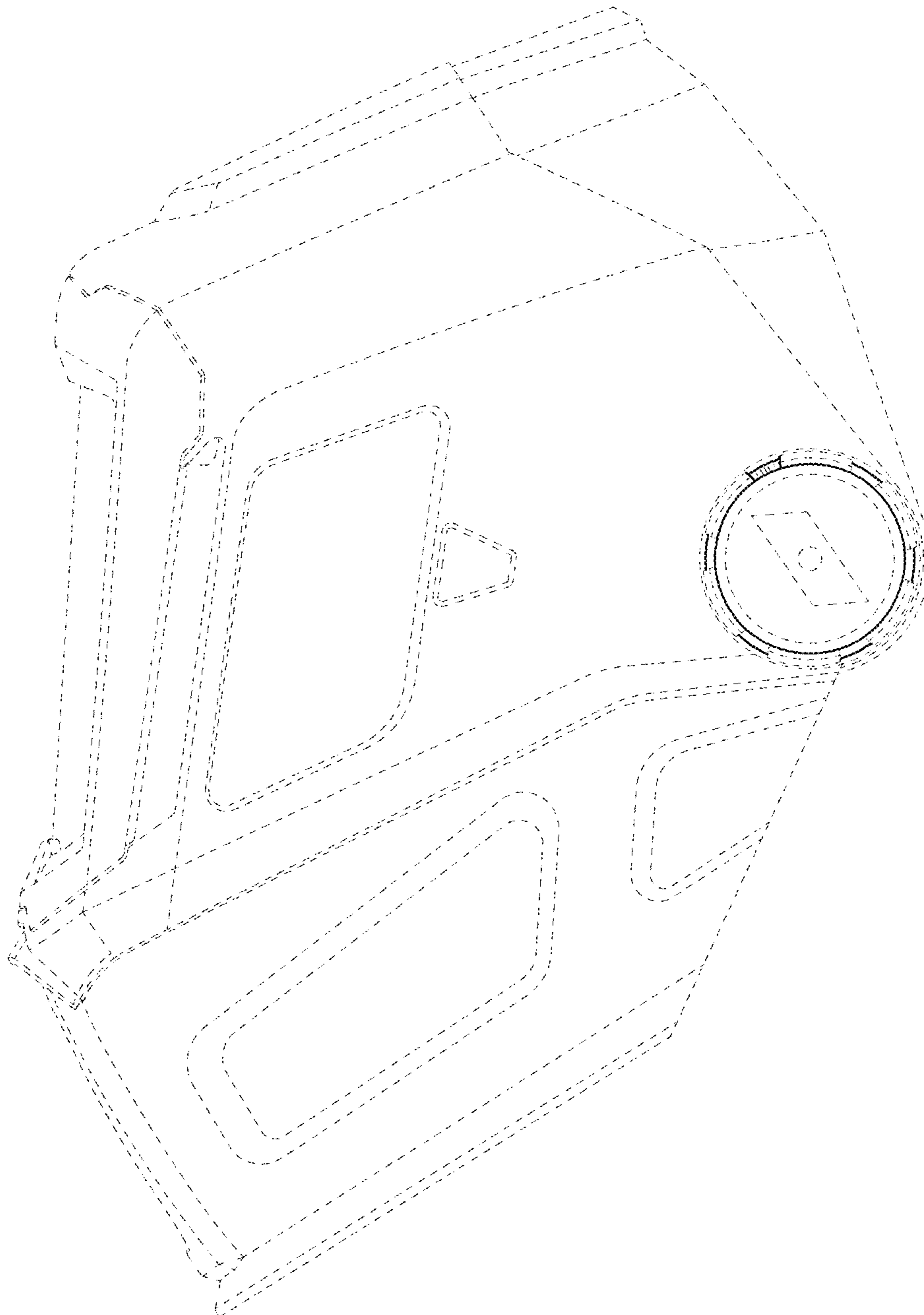


FIG. 5

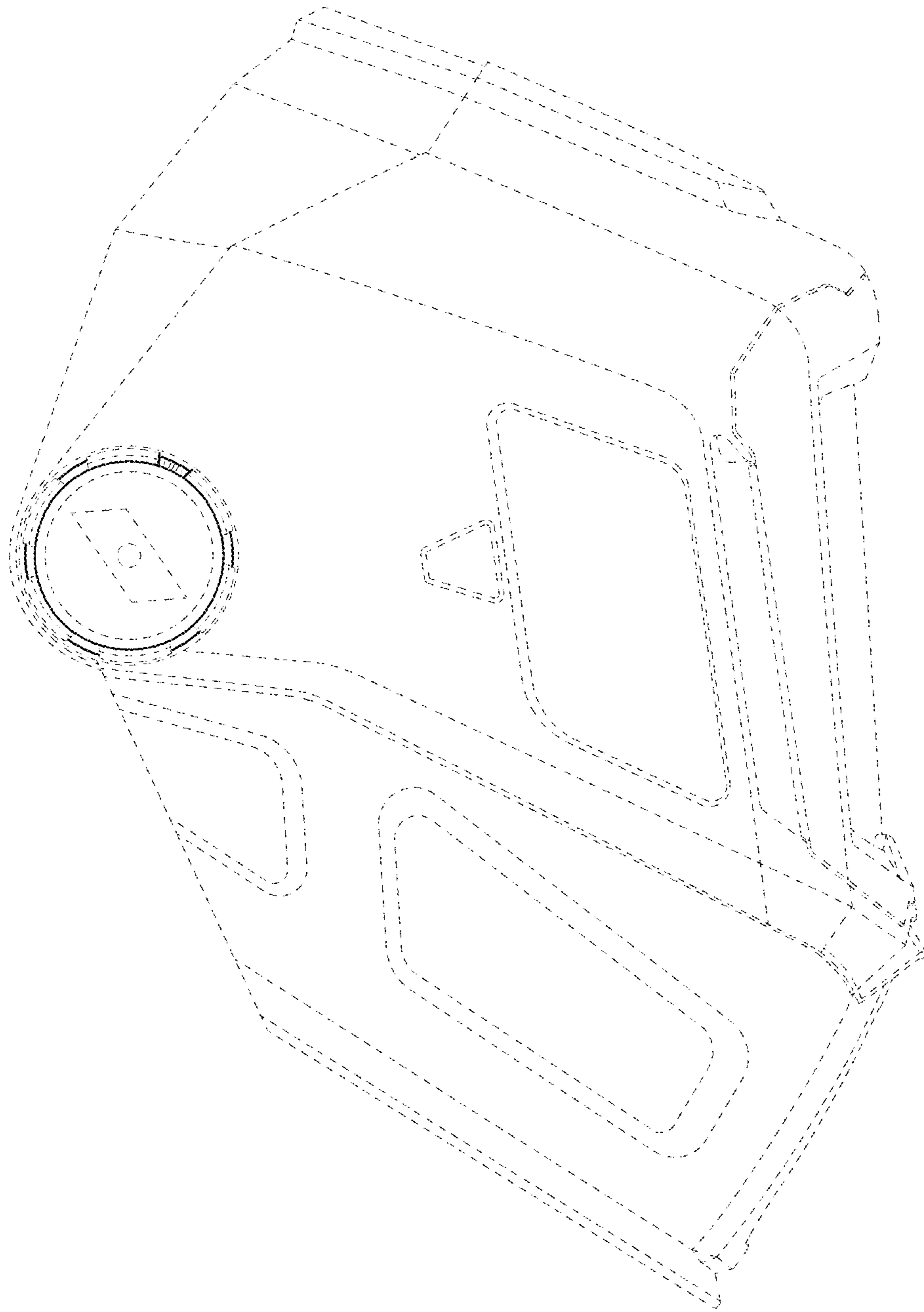


FIG. 6

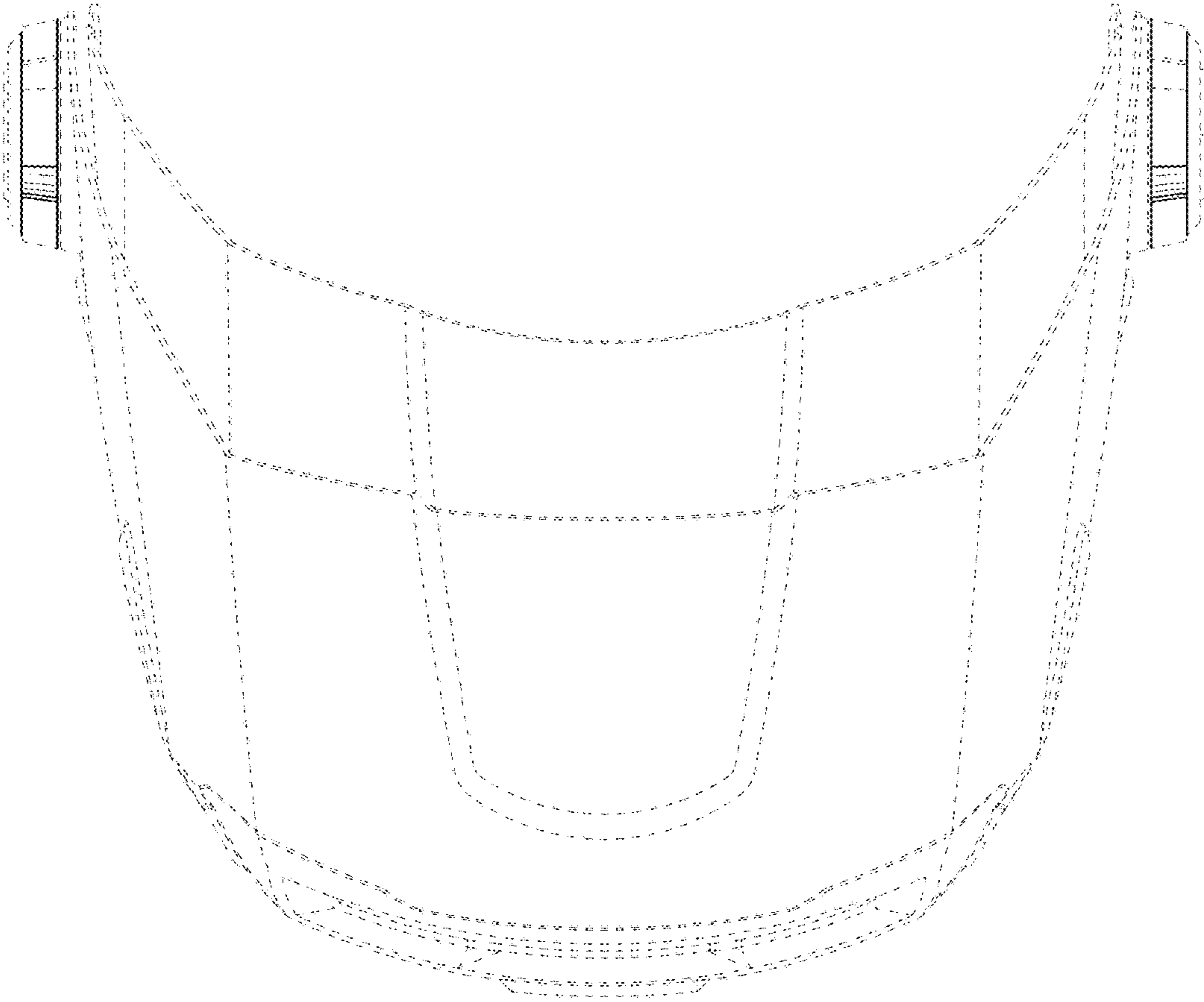


FIG. 7

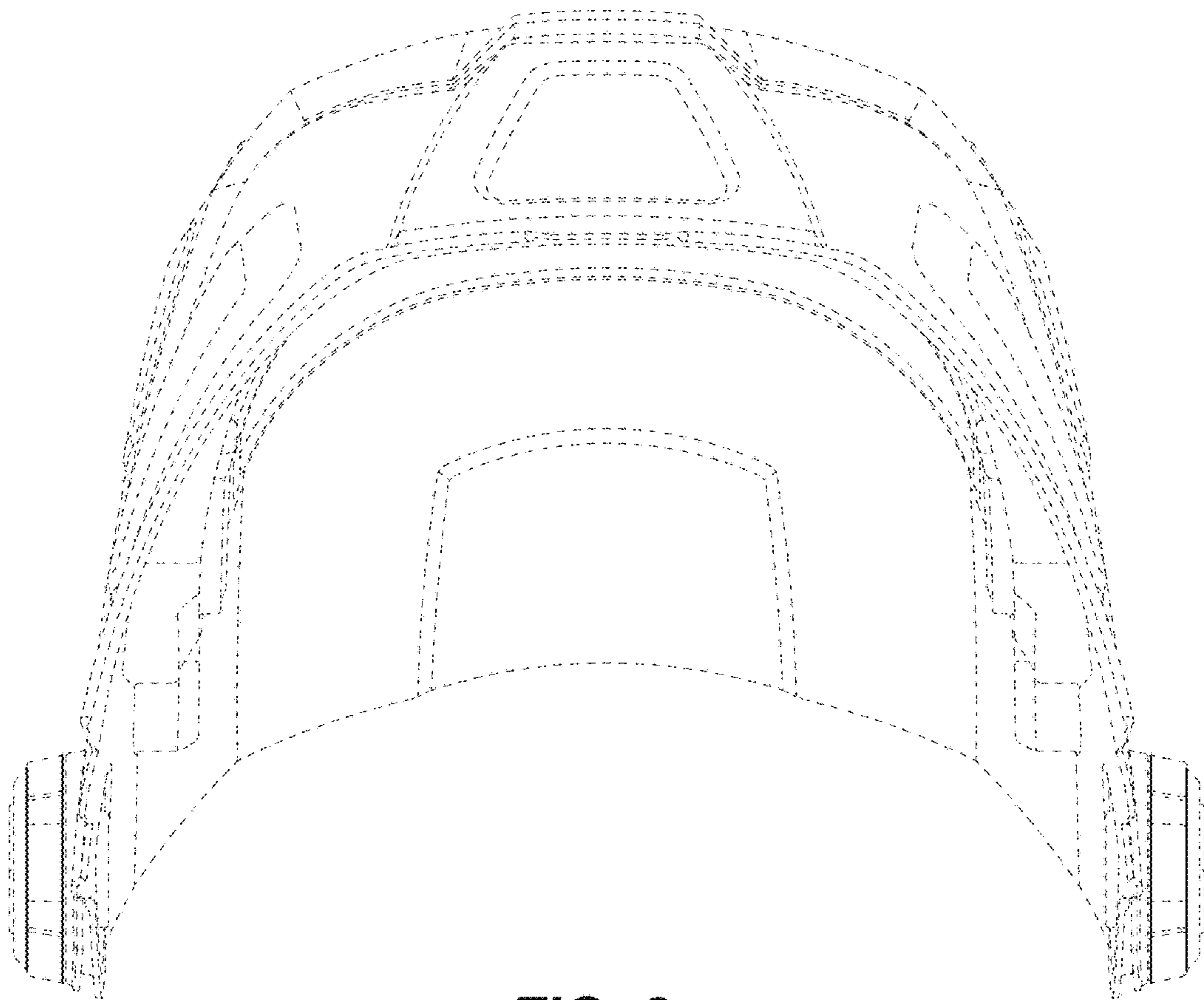


FIG. 8

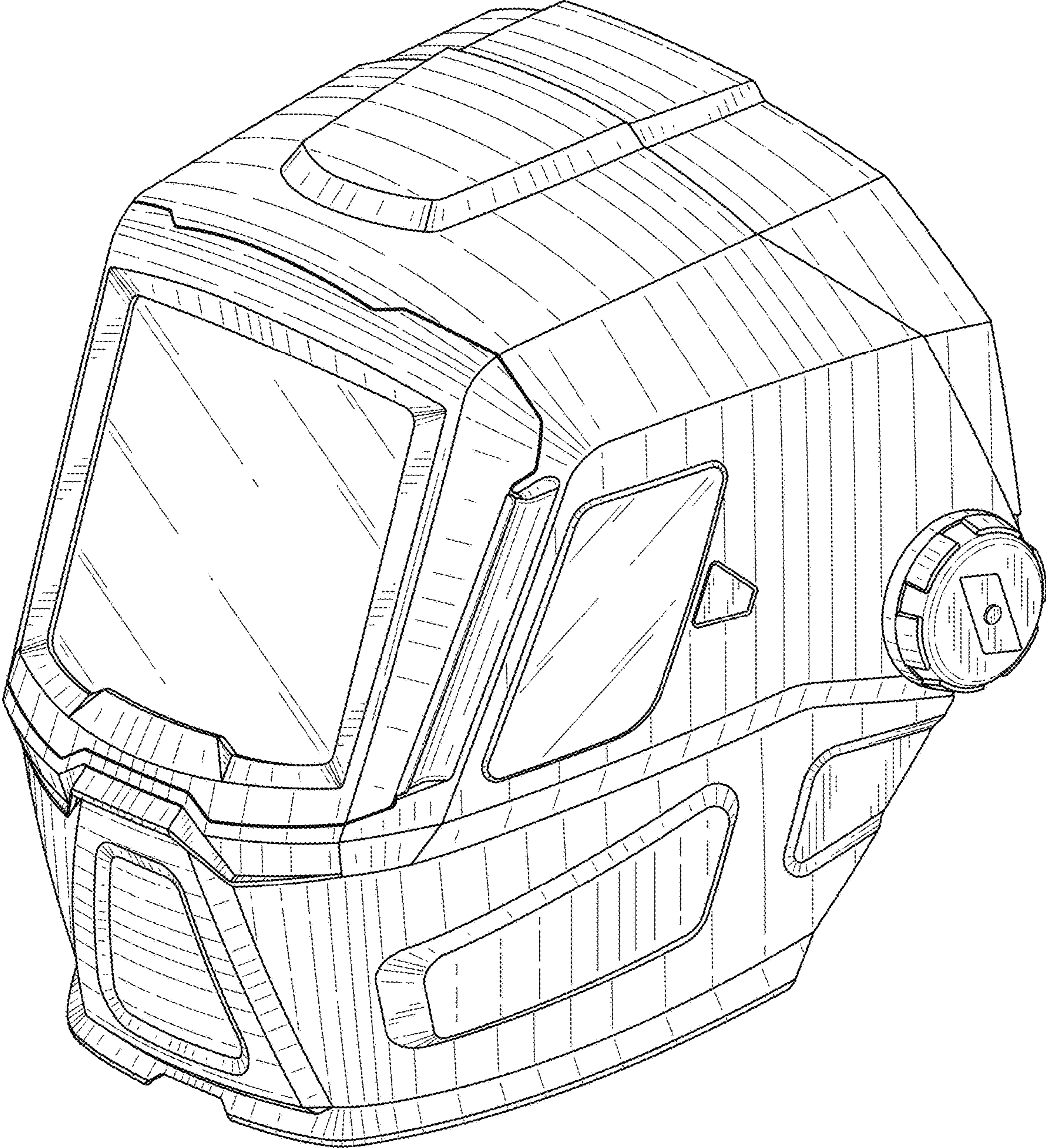


FIG. 9

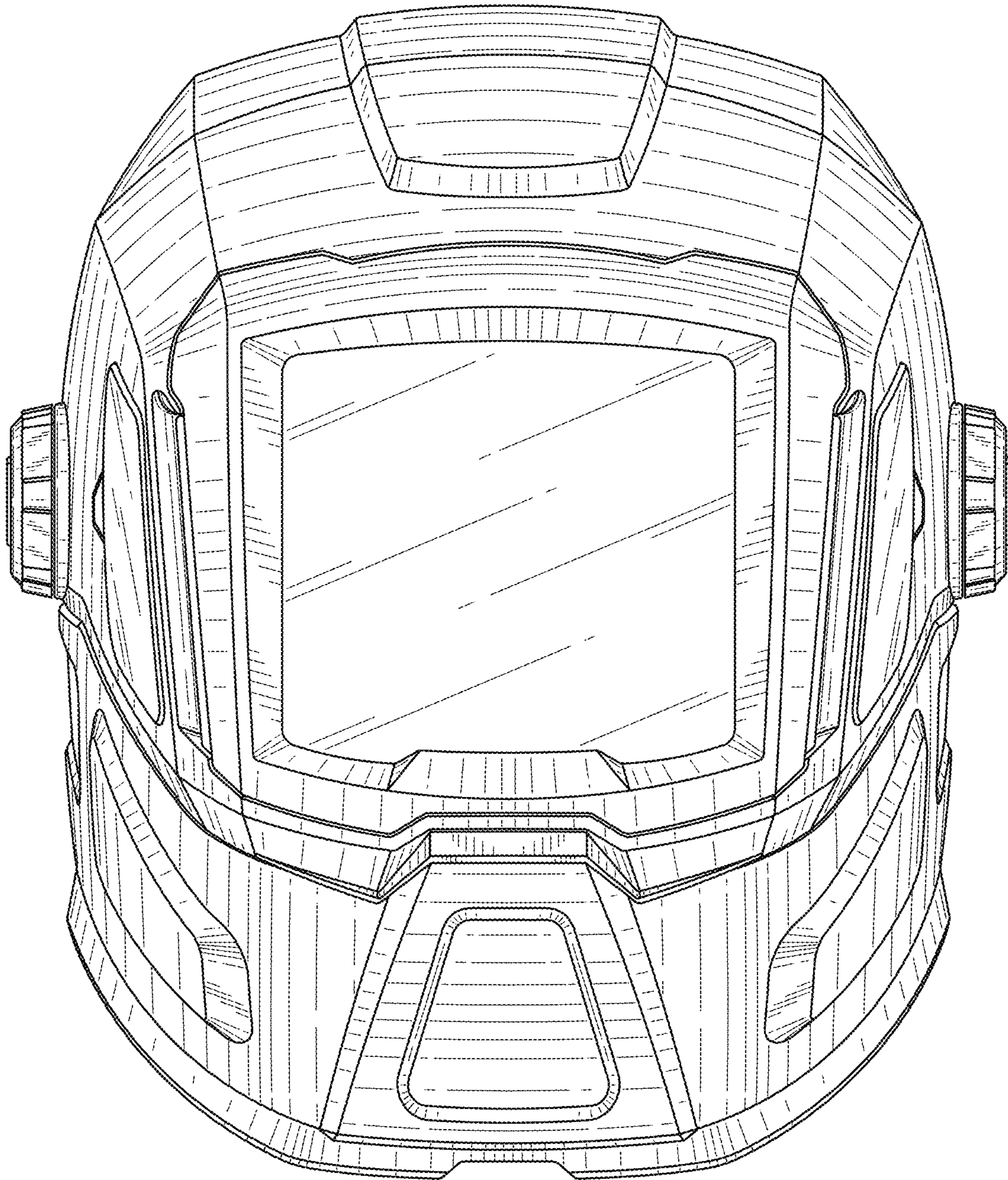


FIG. 10

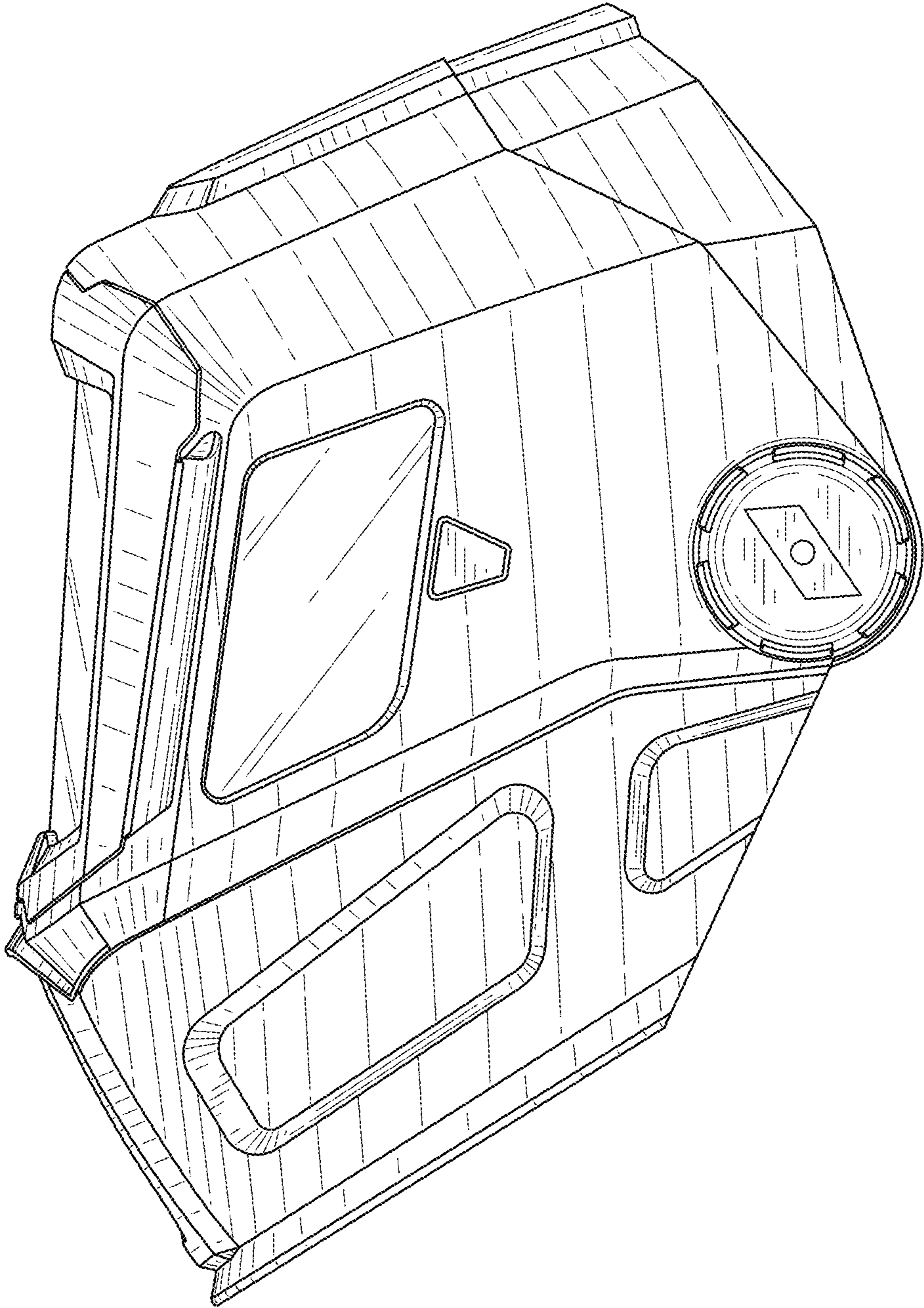


FIG. 11

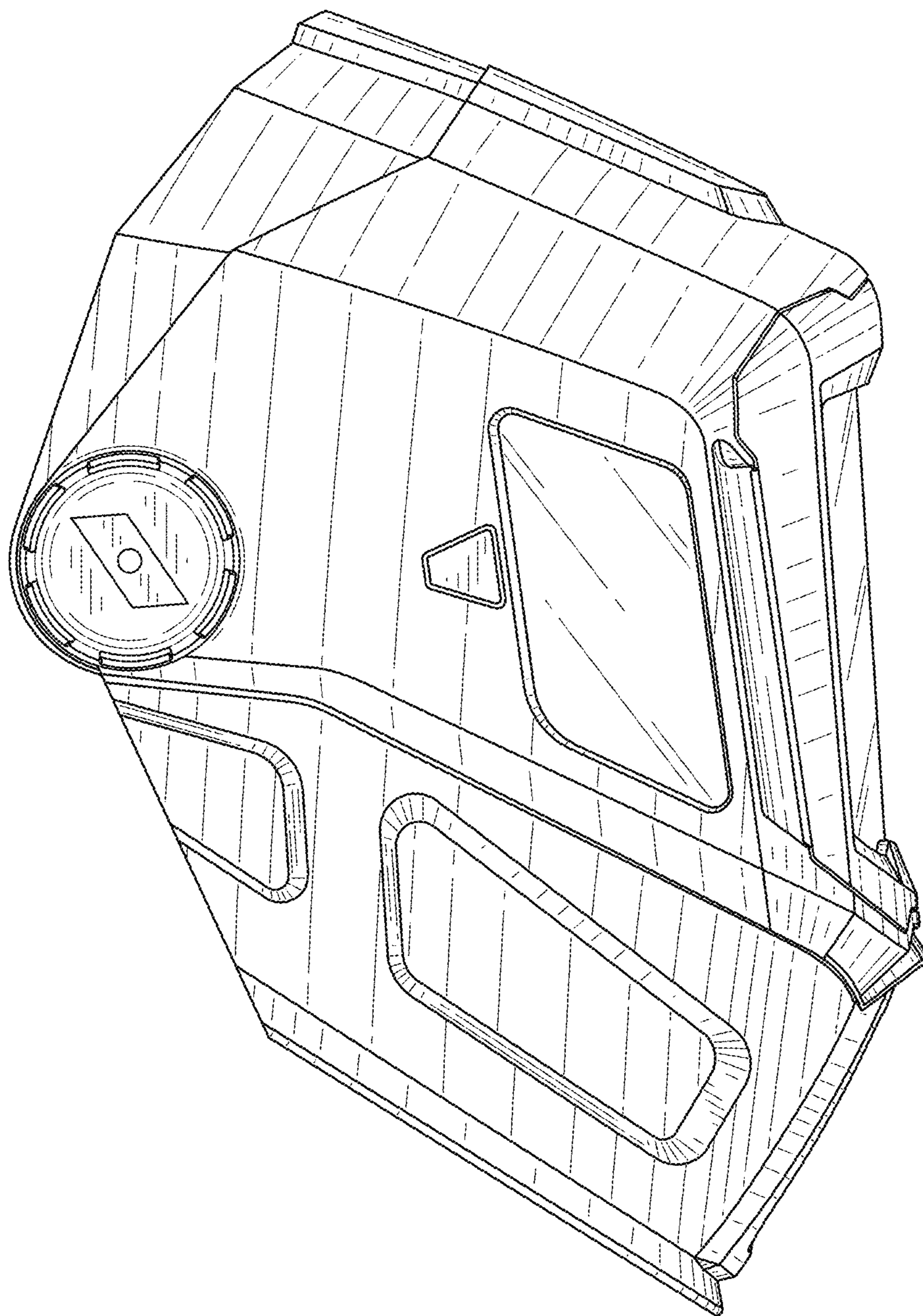


FIG. 12

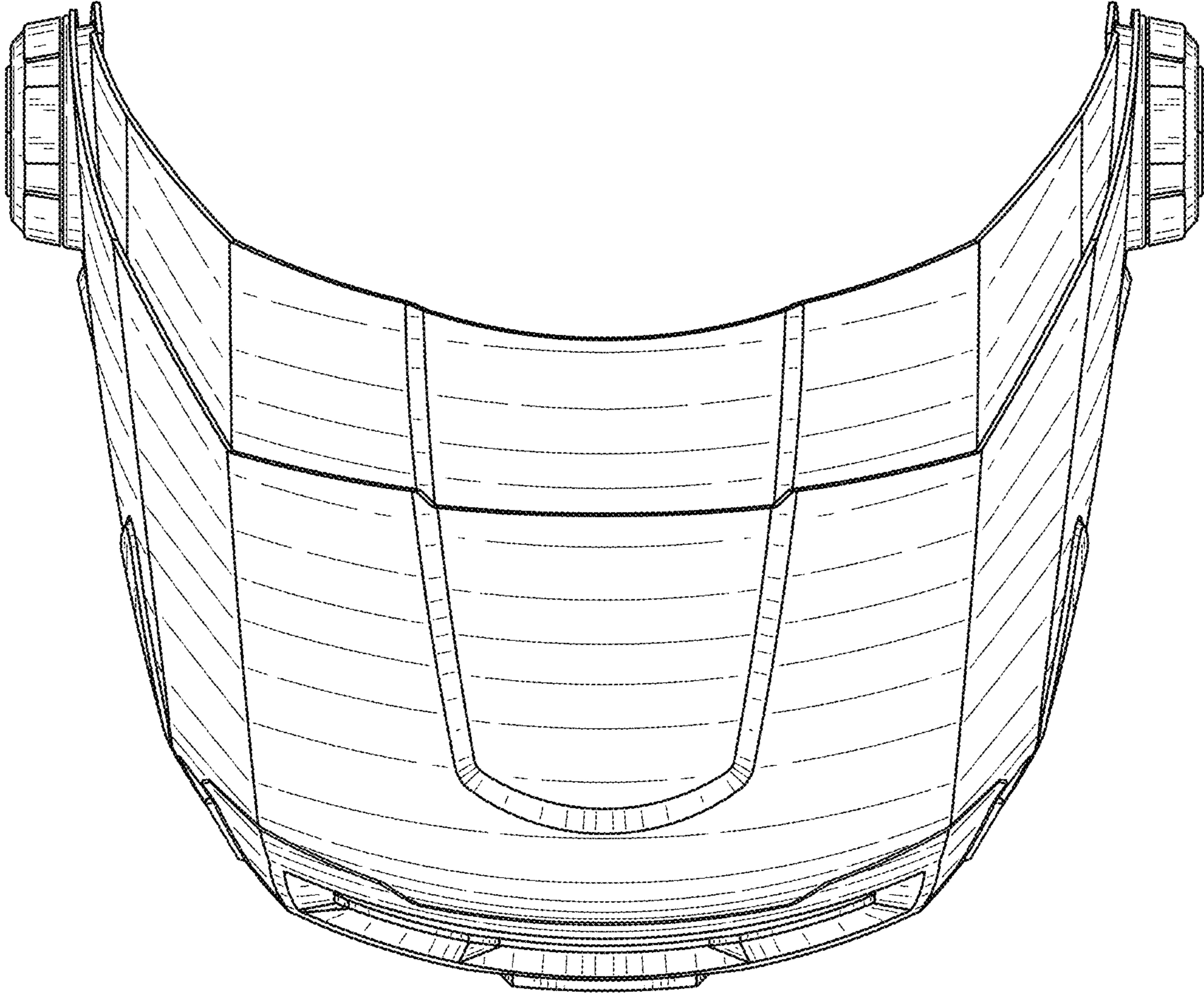


FIG. 13

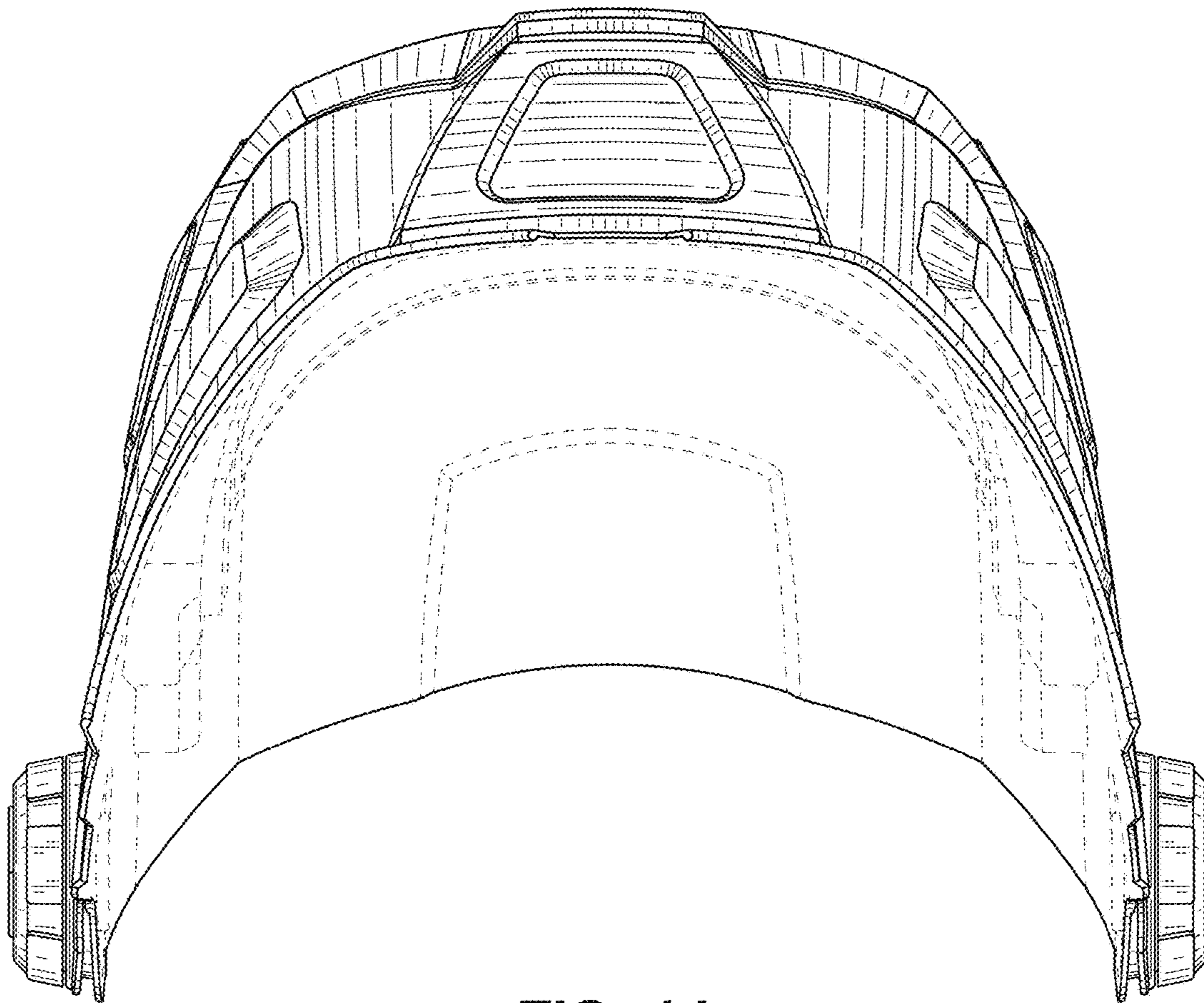


FIG. 14