



US00D803484S

(12) **United States Design Patent** (10) **Patent No.:** **US D803,484 S**
Chang (45) **Date of Patent:** **** Nov. 21, 2017**

(54) **SUPPORT PAD OF PROTECTIVE GEAR FOR BODY**

D545,501 S * 6/2007 Green D29/103
* cited by examiner

(71) Applicant: **Ling Chang**, Taipei (TW)

Primary Examiner — Randall Gholson

(72) Inventor: **Ling Chang**, Taipei (TW)

(74) *Attorney, Agent, or Firm* — Maschoff Brennan

(**) Term: **15 Years**

(57) **CLAIM**

The ornamental design for a “support pad of protective gear for body,” as shown and described.

(21) Appl. No.: **29/571,006**

DESCRIPTION

(22) Filed: **Jul. 13, 2016**

(51) **LOC (10) Cl.** **29-02**

(52) **U.S. Cl.**
USPC **D29/122**

(58) **Field of Classification Search**
USPC D29/102–107, 122; 2/5, 6.1, 6.3, 6.7,
2/41–412, 414, 422–425, 9, 10; D2/869,
D2/870, 872, 882, 884, 891
CPC A42B 3/00; A42B 3/127; F41H 1/08
See application file for complete search history.

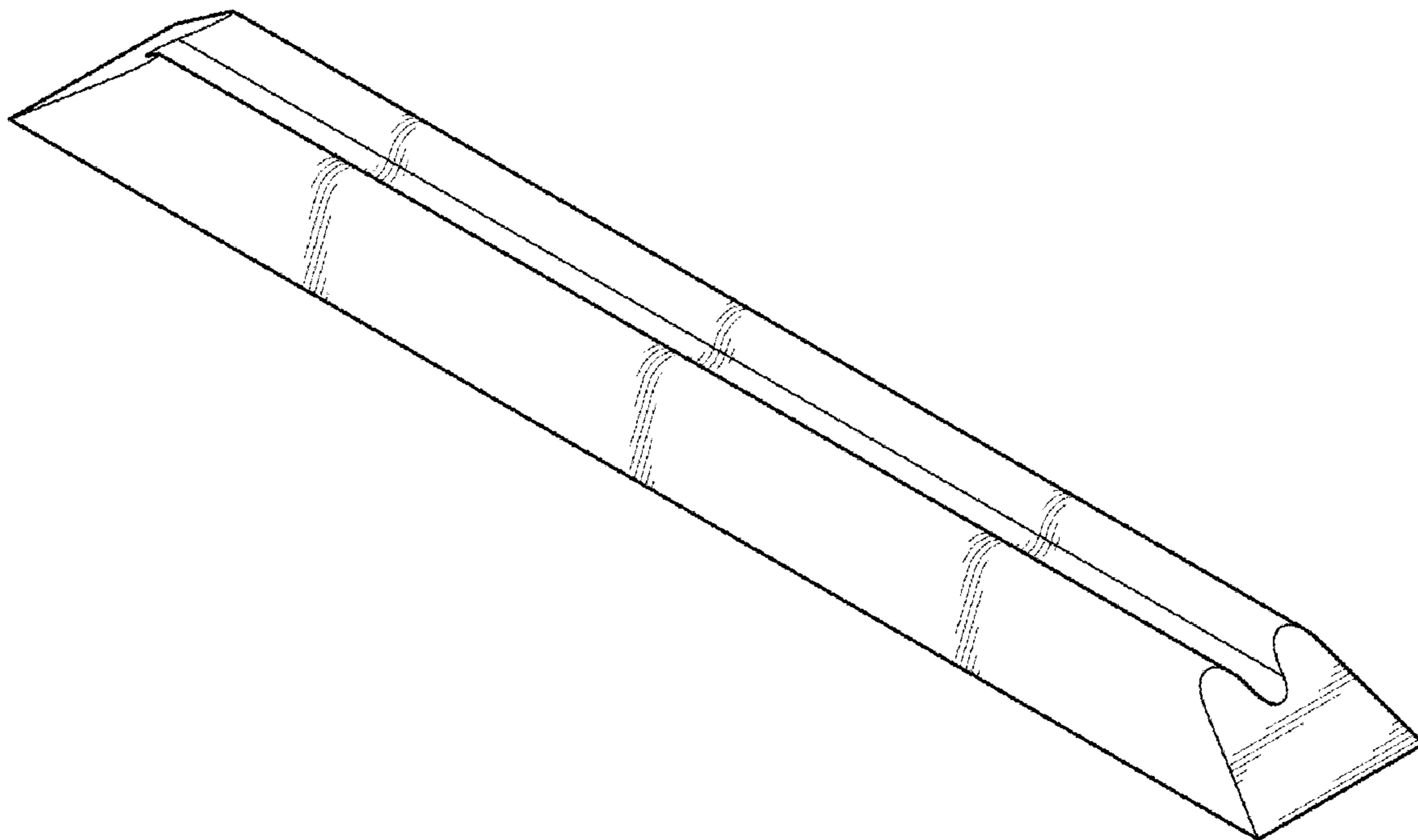
FIG. 1 is a top front left perspective view of a support pad of protective gear for body showing my new design;
FIG. 2 is a front view thereof;
FIG. 3 is a rear view thereof;
FIG. 4 is a left side view thereof;
FIG. 5 is a right side view thereof;
FIG. 6 is a top view thereof;
FIG. 7 is a bottom view thereof;
FIG. 8 shows that the support pad of protective gear for body of our design is flexible and deforms as a specific shape according to the shape of the body which the support pad disposed on; and,
FIG. 9 shows the support pad of protective gear for body of our design combines with the protective gear for body. The broken lines are for the purpose of illustrating portions of the support pad of protective gear for body only and form no part of the claimed design.

(56) **References Cited**

U.S. PATENT DOCUMENTS

D392,435 S * 3/1998 Mocking D1/120
D411,339 S * 6/1999 Copeland D29/122
6,694,529 B1 * 2/2004 Chiu A42B 3/12
2/411

1 Claim, 5 Drawing Sheets



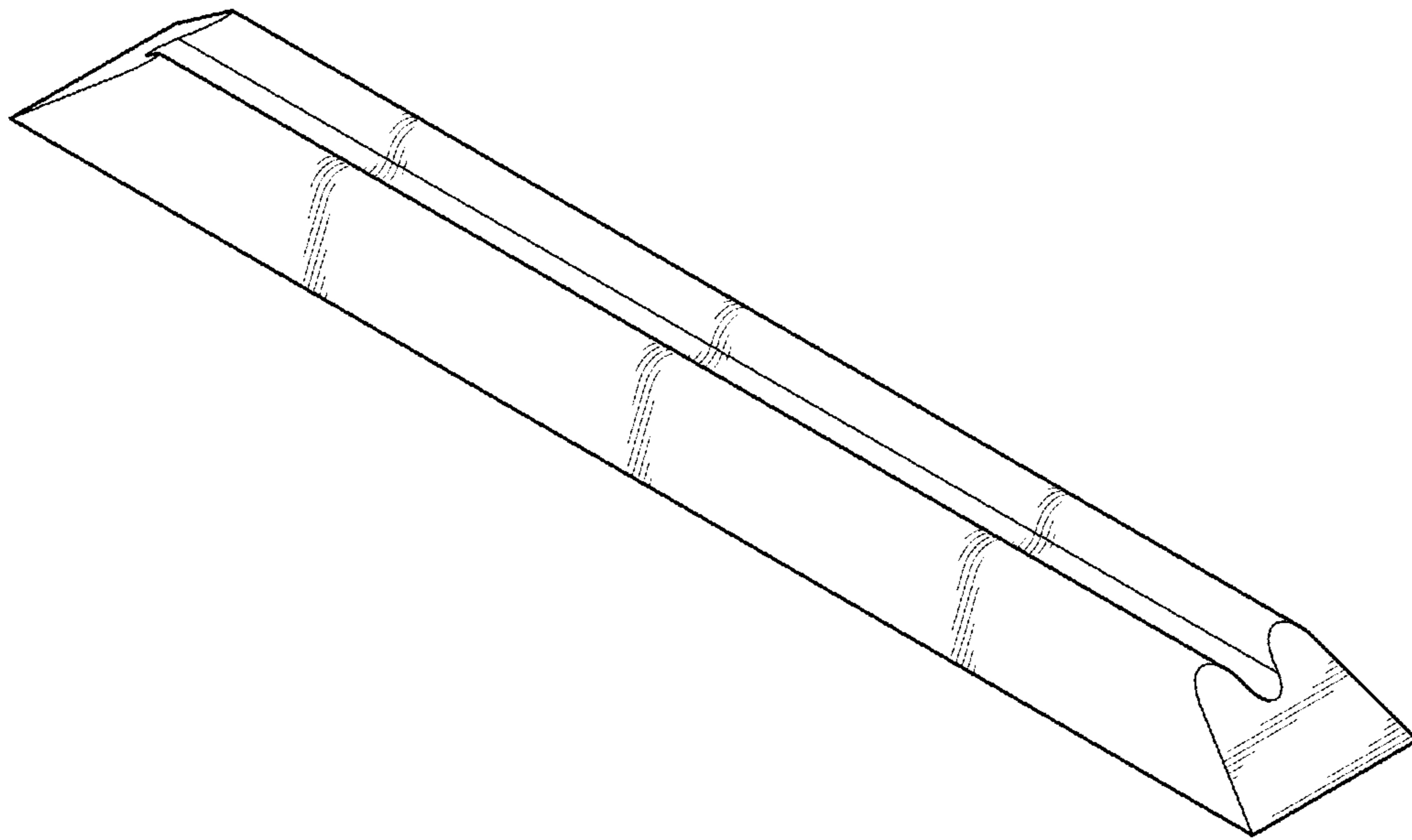


FIG. 1

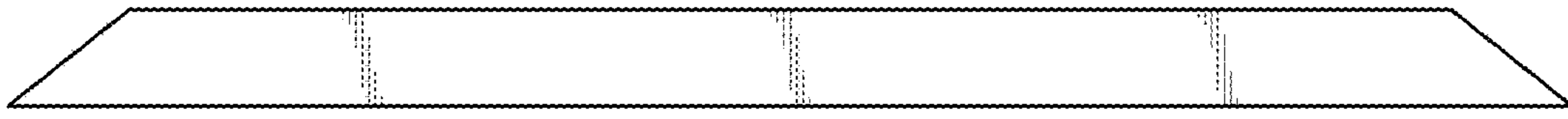


FIG. 2

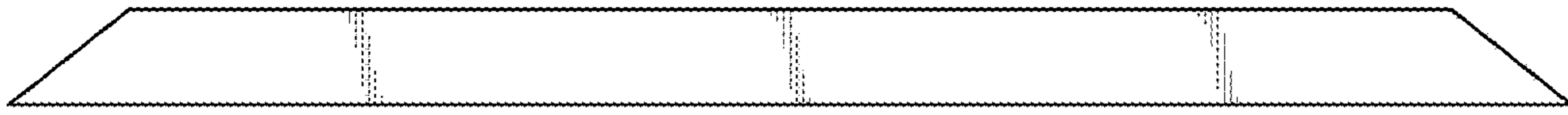


FIG. 3

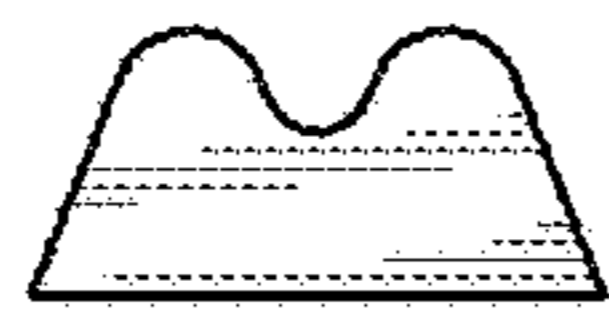


FIG. 4

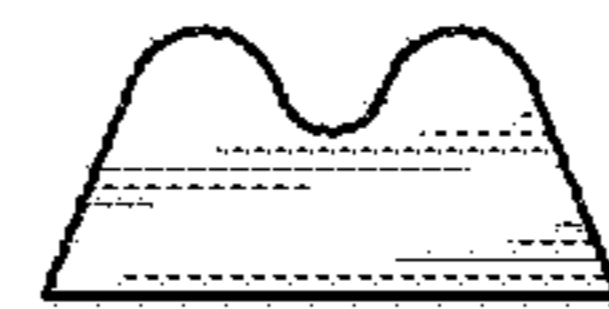


FIG. 5

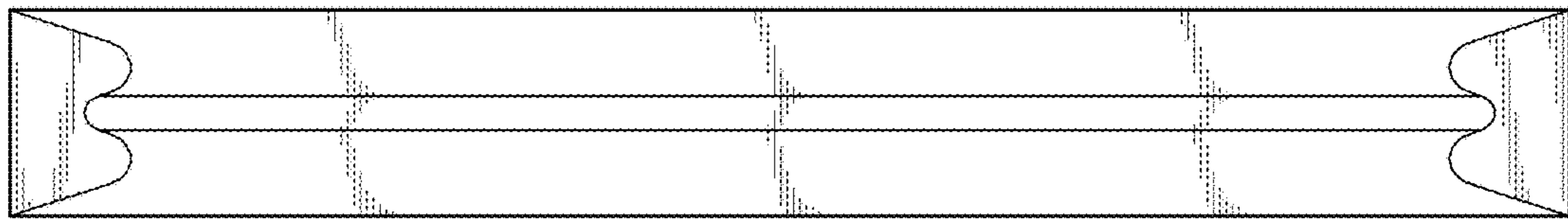


FIG. 6

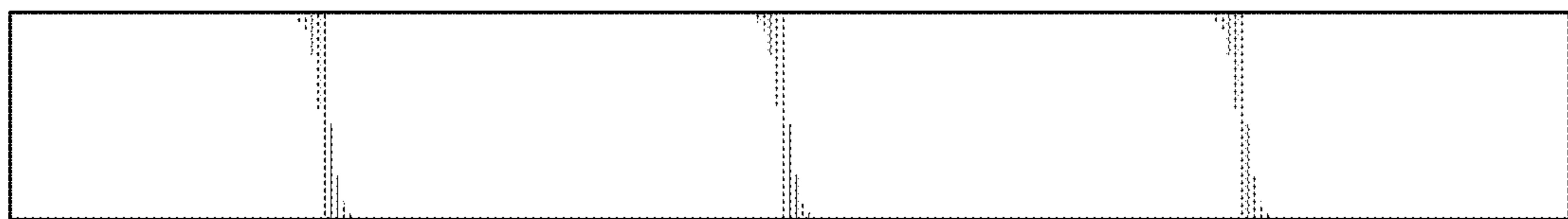


FIG. 7

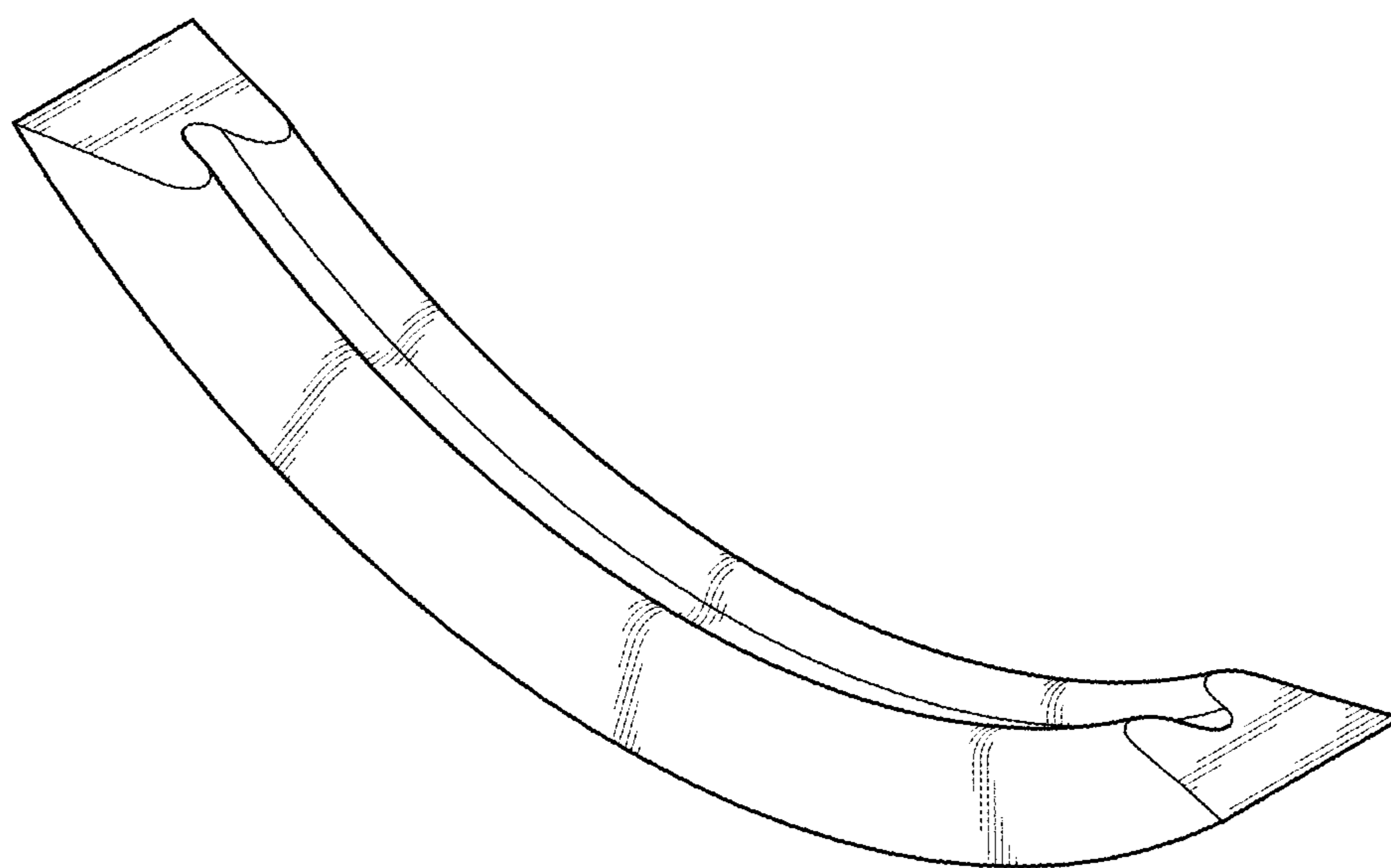


FIG. 8

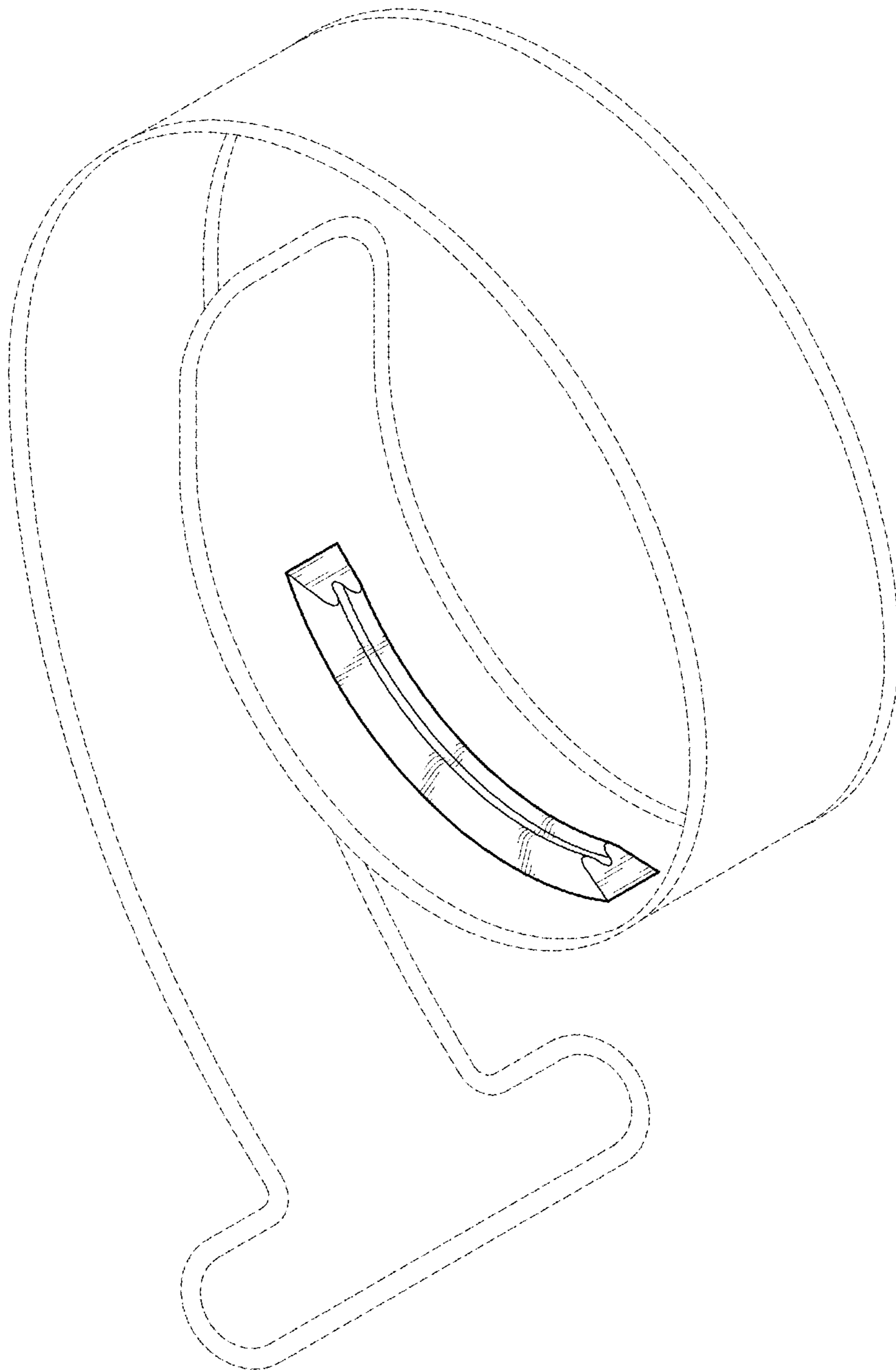


FIG. 9