

US00D803480S

(12) **United States Design Patent**
Wong

(10) **Patent No.:** **US D803,480 S**

(45) **Date of Patent:** **** Nov. 21, 2017**

(54) **SELF-HAIR CLIPPER**

(71) Applicant: **Heroka Industries Ltd.**, Kwun Tong,
Kowloon (CN)

(72) Inventor: **Lau Shu Wong**, Kwun Ton (HK)

(73) Assignee: **Heroka Industries Ltd.**, Kwun Tong,
Kowloon, Hong Kong (CN)

(**) Term: **14 Years**

(21) Appl. No.: **29/525,180**

(22) Filed: **Apr. 28, 2015**

(30) **Foreign Application Priority Data**

Oct. 29, 2014 (CN) 2014 3 0416762

(51) **LOC (10) Cl.** **28-03**

(52) **U.S. Cl.**
USPC **D28/53**

(58) **Field of Classification Search**

USPC D28/44-44.1, 49-54
CPC B26B 19/00-19/107; B26B 19/12; B26B
19/20-19/265

See application file for complete search history.

(56) **References Cited**

U.S. PATENT DOCUMENTS

D672,504 S * 12/2012 Lyles D28/50
D693,060 S * 11/2013 Lyles D28/50
D717,492 S * 11/2014 Kulshreshtha D28/53

D717,493 S * 11/2014 Kulshreshtha D28/53
2009/0199412 A1 * 8/2009 Cheng B26B 19/063
30/210
2013/0255455 A1 * 10/2013 McCue B26B 19/06
83/13
2016/0176060 A1 * 6/2016 Kulshreshtha B26B 19/28
30/277.4

FOREIGN PATENT DOCUMENTS

WO WO 2015184585 A1 * 12/2015 B26B 19/20

* cited by examiner

Primary Examiner — Jennifer Rivard

(74) *Attorney, Agent, or Firm* — Foley Hoag LLP; Rajesh
Vallabh

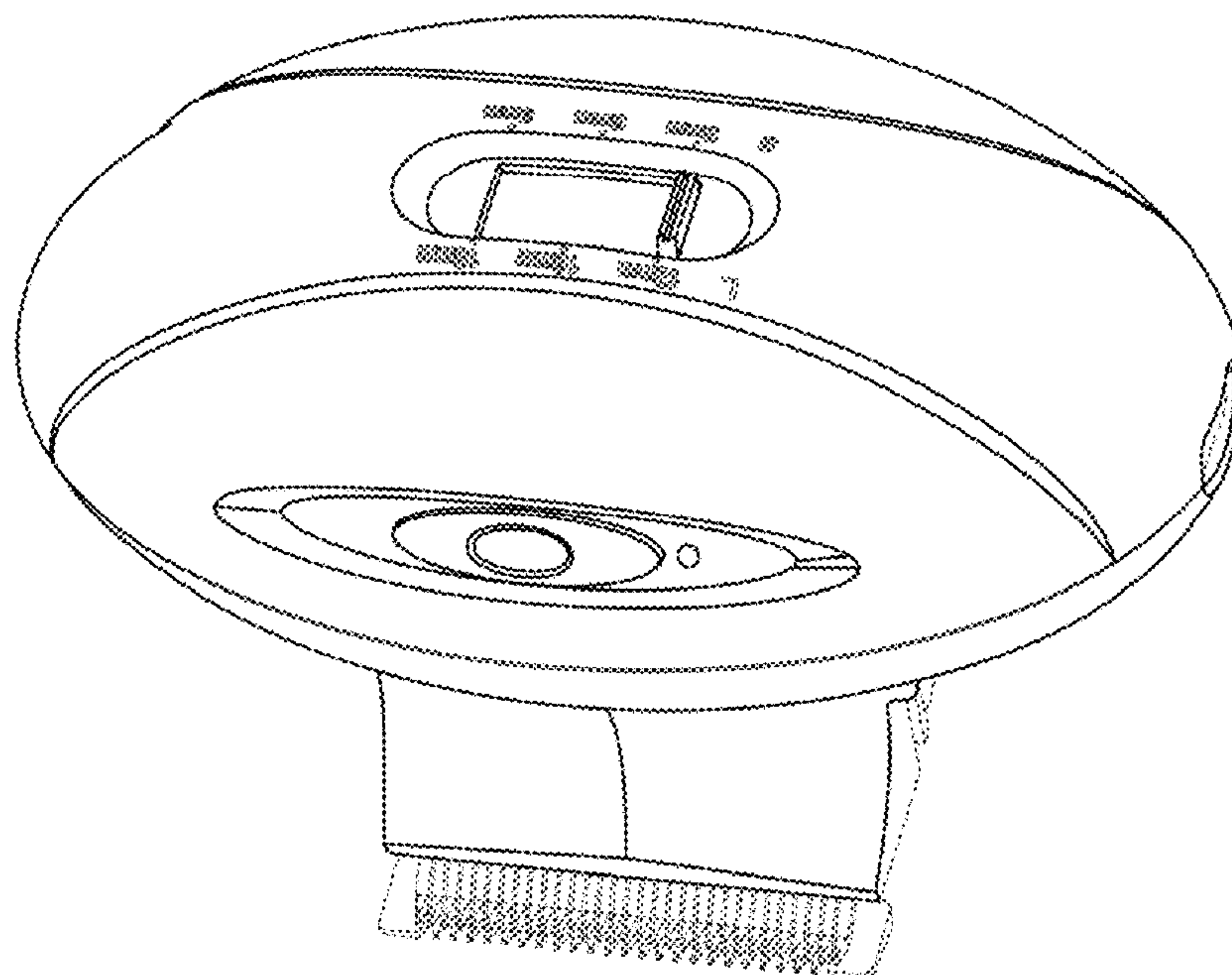
(57) **CLAIM**

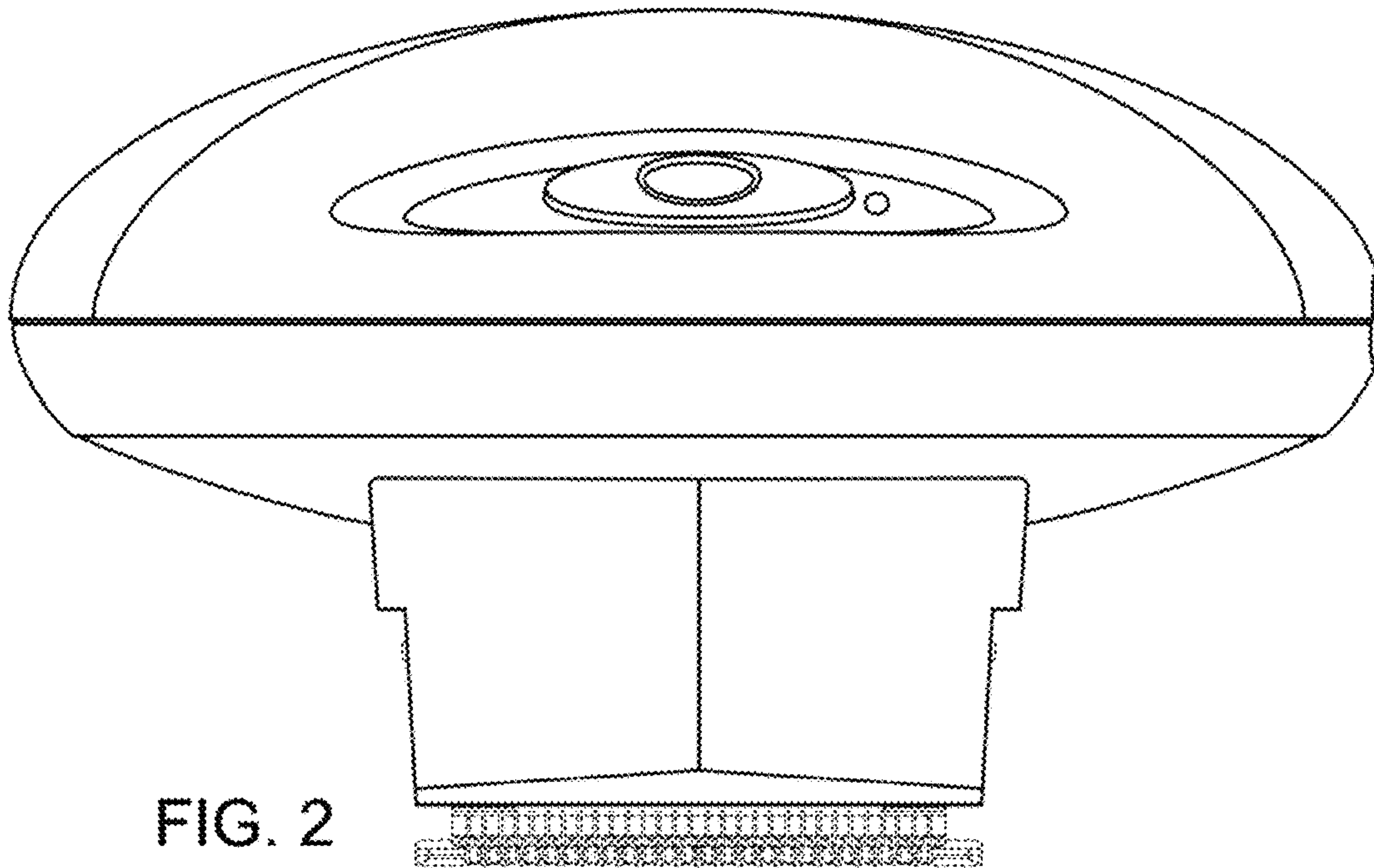
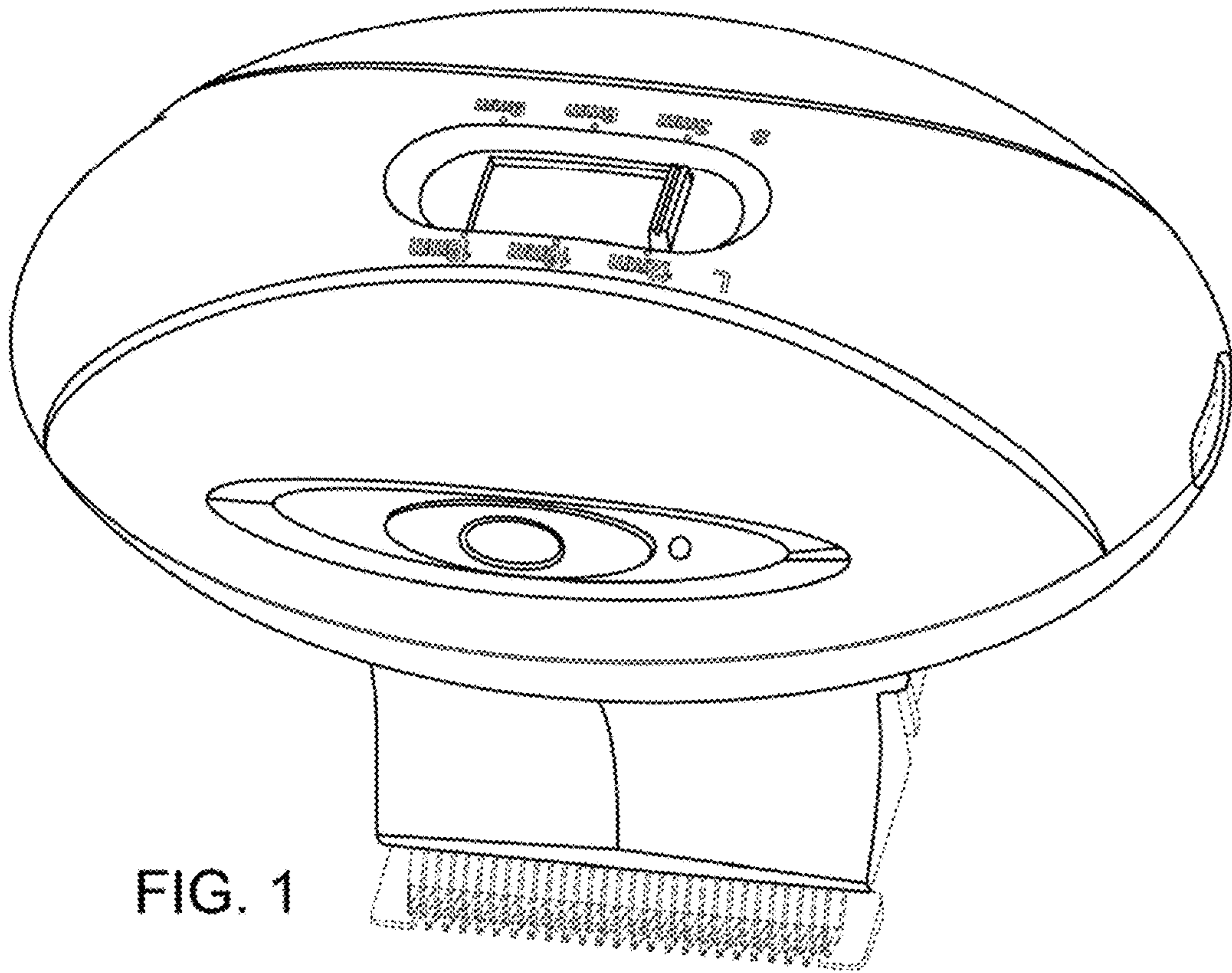
The ornamental design for a self-hair clipper, as shown and
described.

DESCRIPTION

FIG. 1 is a top perspective view of a self-hair clipper
showing my new design;
FIG. 2 is a front view thereof;
FIG. 3 is a back view thereof;
FIG. 4 is a bottom view thereof;
FIG. 5 is a top view thereof;
FIG. 6 is a right side view thereof; and,
FIG. 7 is a left side view thereof.
The broken lines illustrate portions of the self-hair clipper
and form no part of the claimed design.

1 Claim, 4 Drawing Sheets





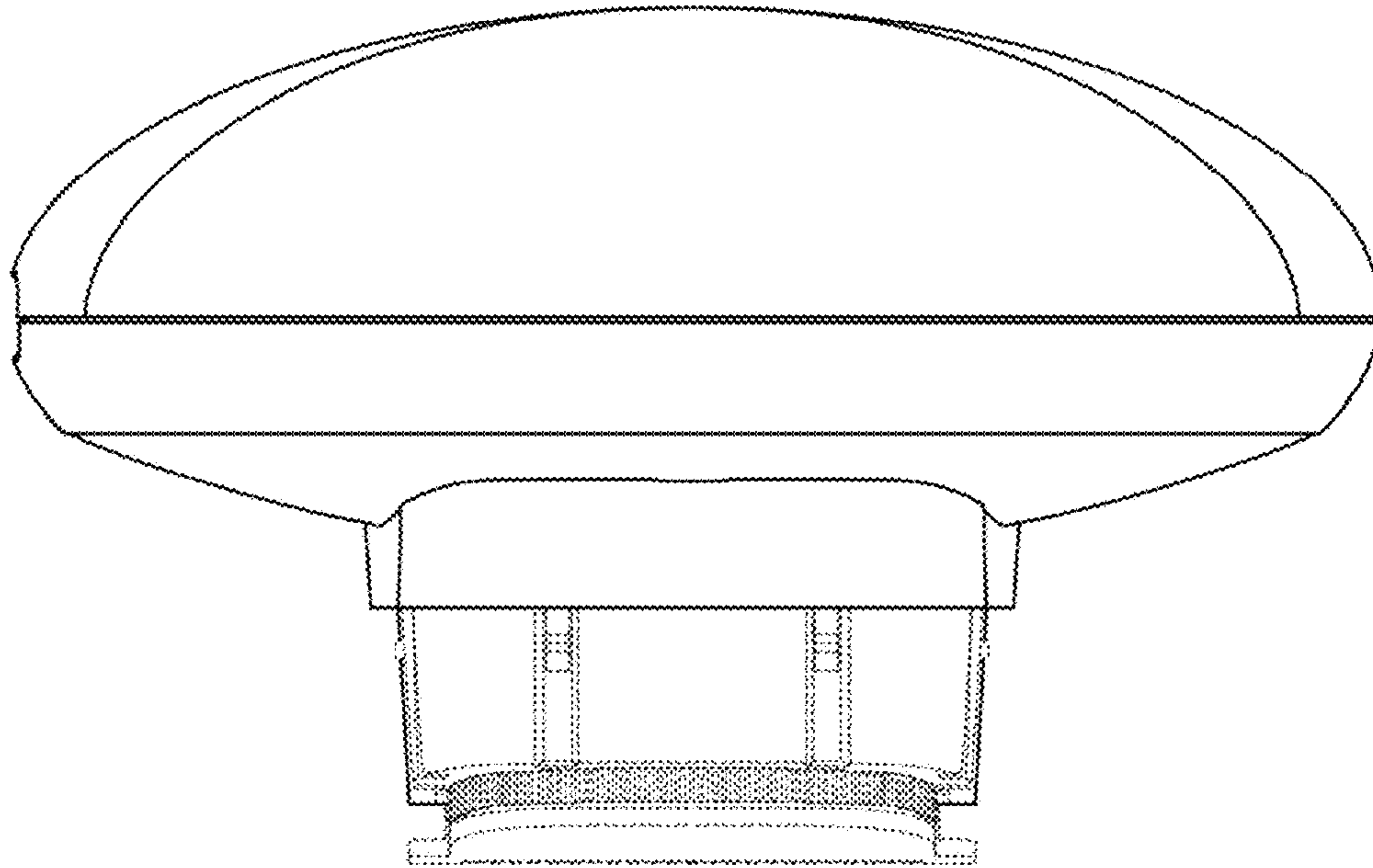


FIG. 3

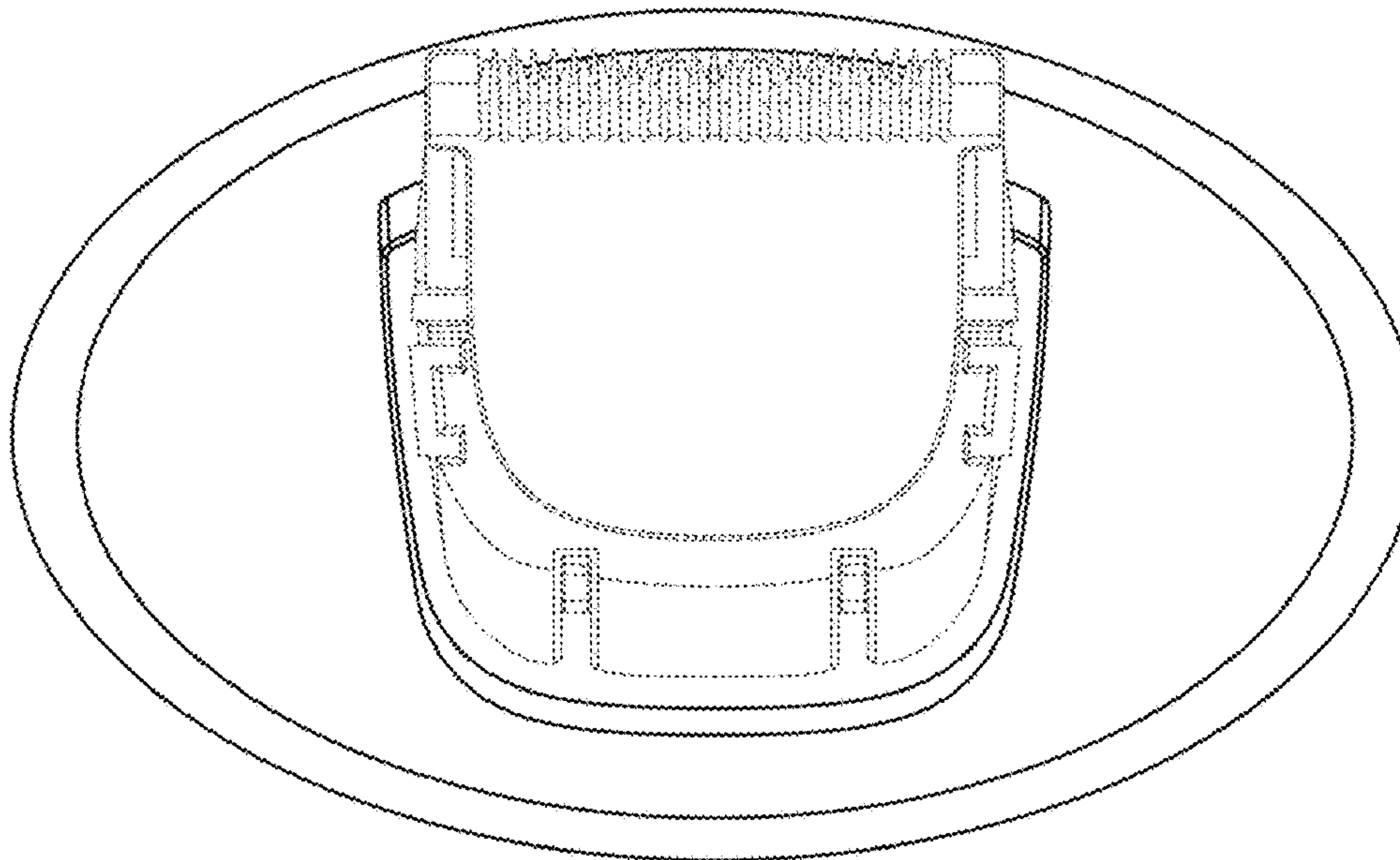


FIG. 4

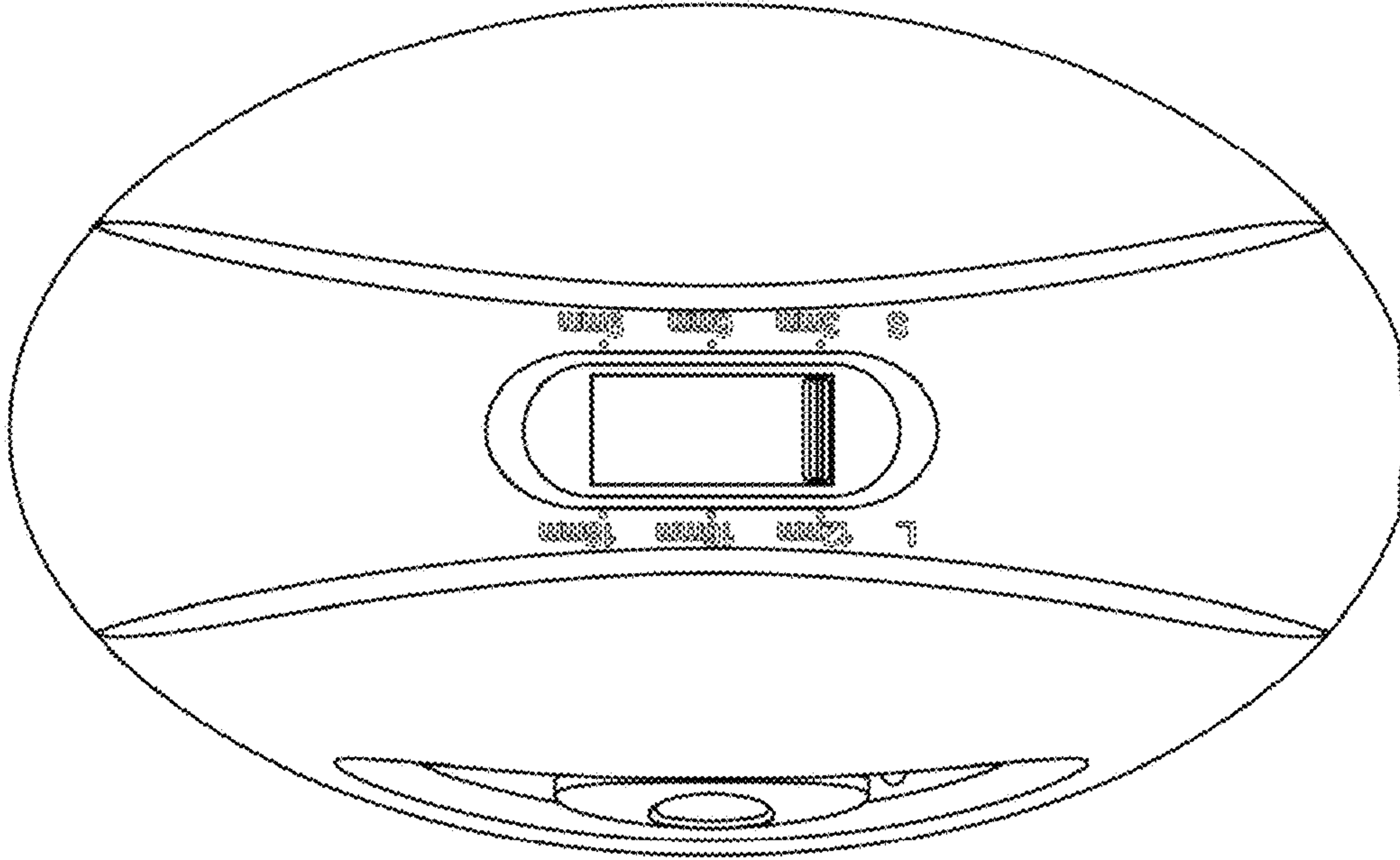


FIG. 5

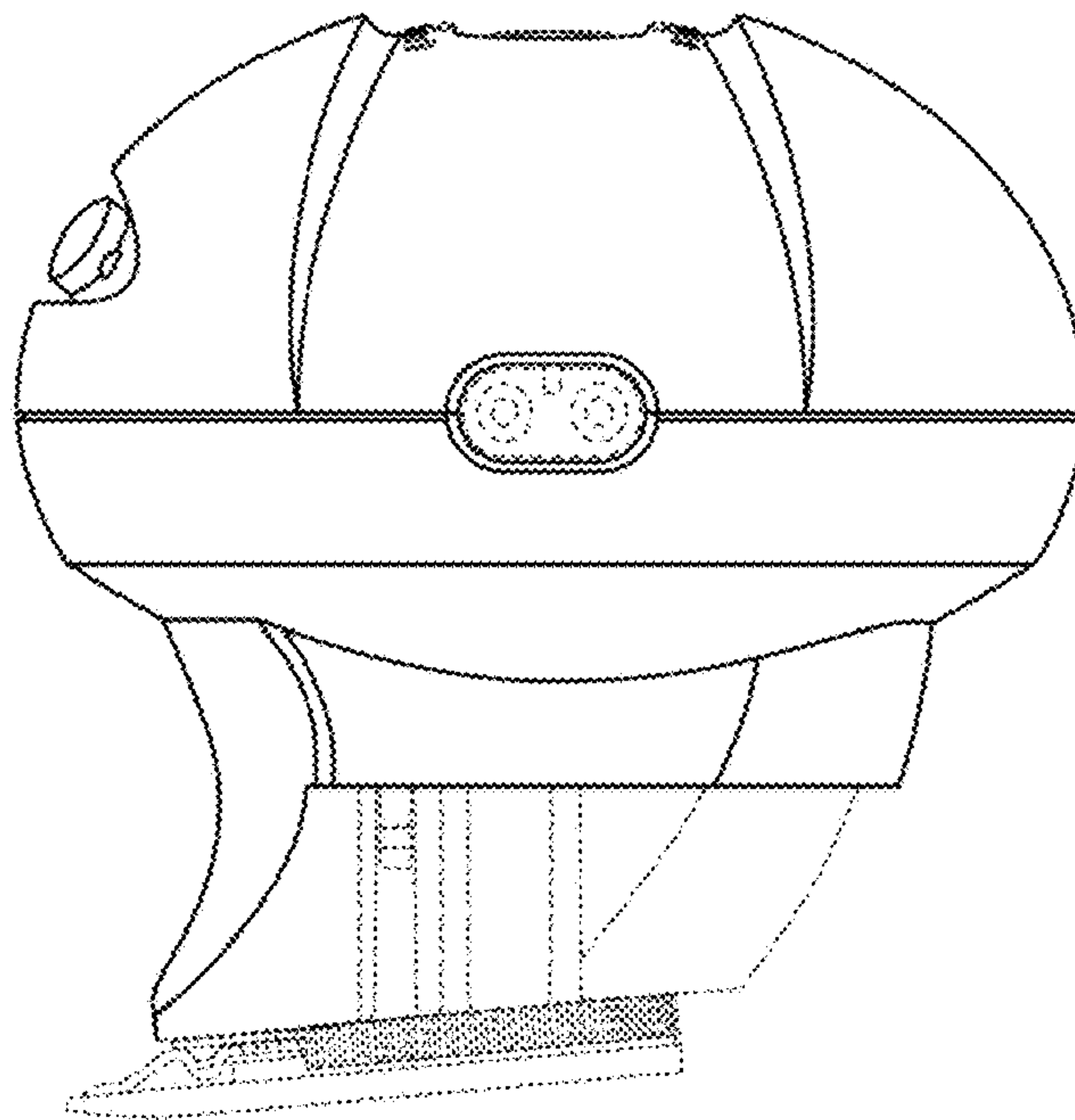


FIG. 6

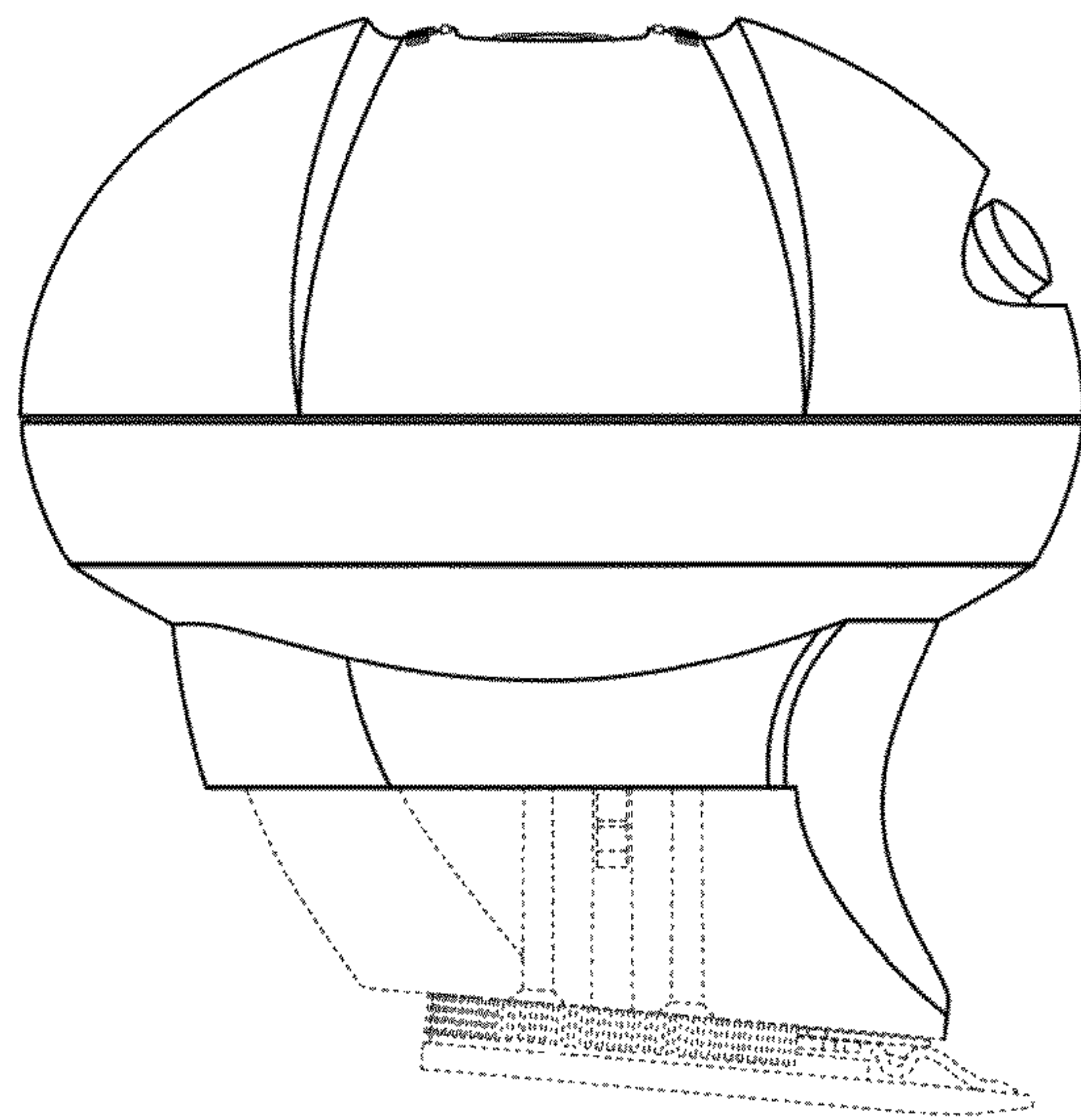


FIG. 7