



US00D803479S

(12) **United States Design Patent** (10) **Patent No.:** **US D803,479 S**
Collier (45) **Date of Patent:** **** Nov. 21, 2017**

(54) **BLOW DRYER**

(71) Applicant: **Vanessa Collier**, Oakwood Village, OH (US)

(72) Inventor: **Vanessa Collier**, Oakwood Village, OH (US)

(**) Term: **15 Years**

(21) Appl. No.: **29/567,068**

(22) Filed: **Jun. 6, 2016**

(51) **LOC (10) Cl.** **28-03**

(52) **U.S. Cl.**

USPC **D28/13**

(58) **Field of Classification Search**

USPC 34/283; D30/158, 161, 162; D28/12-16, D28/18-19, 24, 28, 54.1; D8/14.1, D8/29.1-29.2, 68; D32/17, 23, 40, 42, D32/46

CPC A45D 20/00; A45D 20/04; A45D 20/06; A45D 20/08; A45D 20/10; A45D 20/12; A45D 20/122; A45D 20/28; A45D 20/48; A45D 2020/128; A47K 10/00; B29C 59/00

See application file for complete search history.

(56) **References Cited**

U.S. PATENT DOCUMENTS

2,972,160 A * 2/1961 Hahn A47L 5/24 15/344
4,195,217 A * 3/1980 Moller A45D 20/10 34/97
D255,052 S * 5/1980 Haase D28/13
D262,061 S * 11/1981 Janssens D28/13
D303,856 S * 10/1989 Yuen D32/18
5,058,193 A * 10/1991 Appierto A45D 20/10 34/97
D341,904 S * 11/1993 Smal D28/15
D368,342 S * 3/1996 Founds D30/158

D522,190 S * 5/2006 Drew D32/15
D525,398 S * 7/2006 Borngesser D30/162
D533,689 S * 12/2006 Borngesser D30/162
D537,566 S * 2/2007 Kondo D28/13
D624,254 S * 9/2010 Ediger D32/17
D715,483 S * 10/2014 Ha D28/13
D734,574 S * 7/2015 Schultz D32/18
D735,960 S * 8/2015 Zhang D32/15
2010/0071223 A1 * 3/2010 Ha A45D 20/12 34/97
2014/0366312 A1 * 12/2014 Christensen A47L 7/0066 15/344
2016/0120286 A1 * 5/2016 Han A45D 20/52 132/116

OTHER PUBLICATIONS

“Red by Kiss 2200 ceramic tourmaline dryer,” [online], posted Jun. 6, 2014, retrieved Aug. 22, 2017, retrieved from <https://www.amazon.com/Red-Kiss-Ceramic-Tourmaline-Dryer/dp/B00IGAVDVG/ref=cm_cr_ar_p_d_product_top?ie=UTF8>.*

* cited by examiner

Primary Examiner — Shannon Morgan

Assistant Examiner — Debra A Callahan

(74) *Attorney, Agent, or Firm* — Kristen M. Hoover

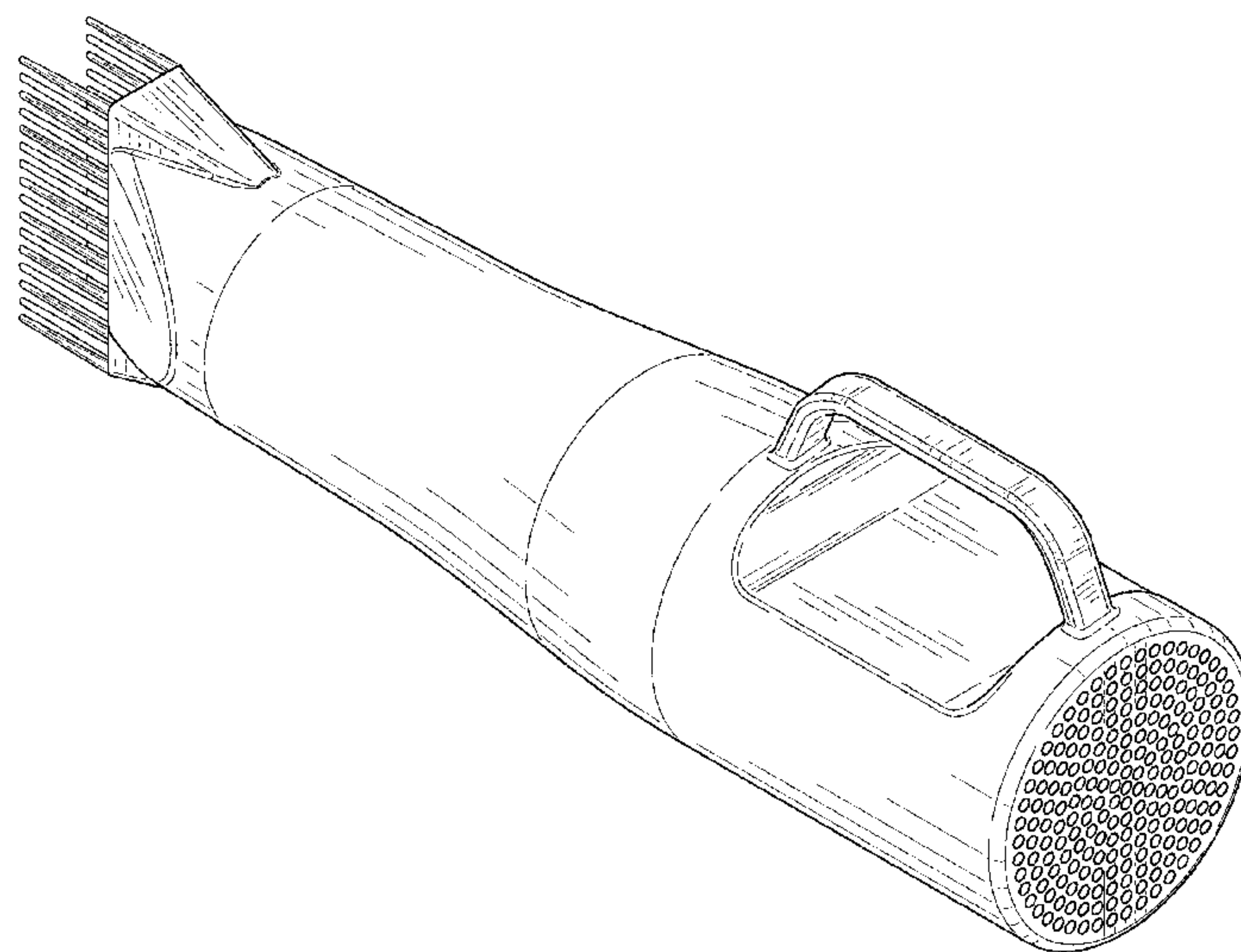
(57) **CLAIM**

The ornamental design for a blow dryer, as shown and described.

DESCRIPTION

FIG. 1 is a top left perspective view of the blow dryer; FIG. 2 is a front elevational view thereof; FIG. 3 in a back elevational view thereof; FIG. 4 is a left side elevational view thereof; FIG. 5 is a top plan view thereof; FIG. 6 is a bottom plan view thereof; and, FIG. 7 is a bottom left perspective view thereof.

1 Claim, 4 Drawing Sheets



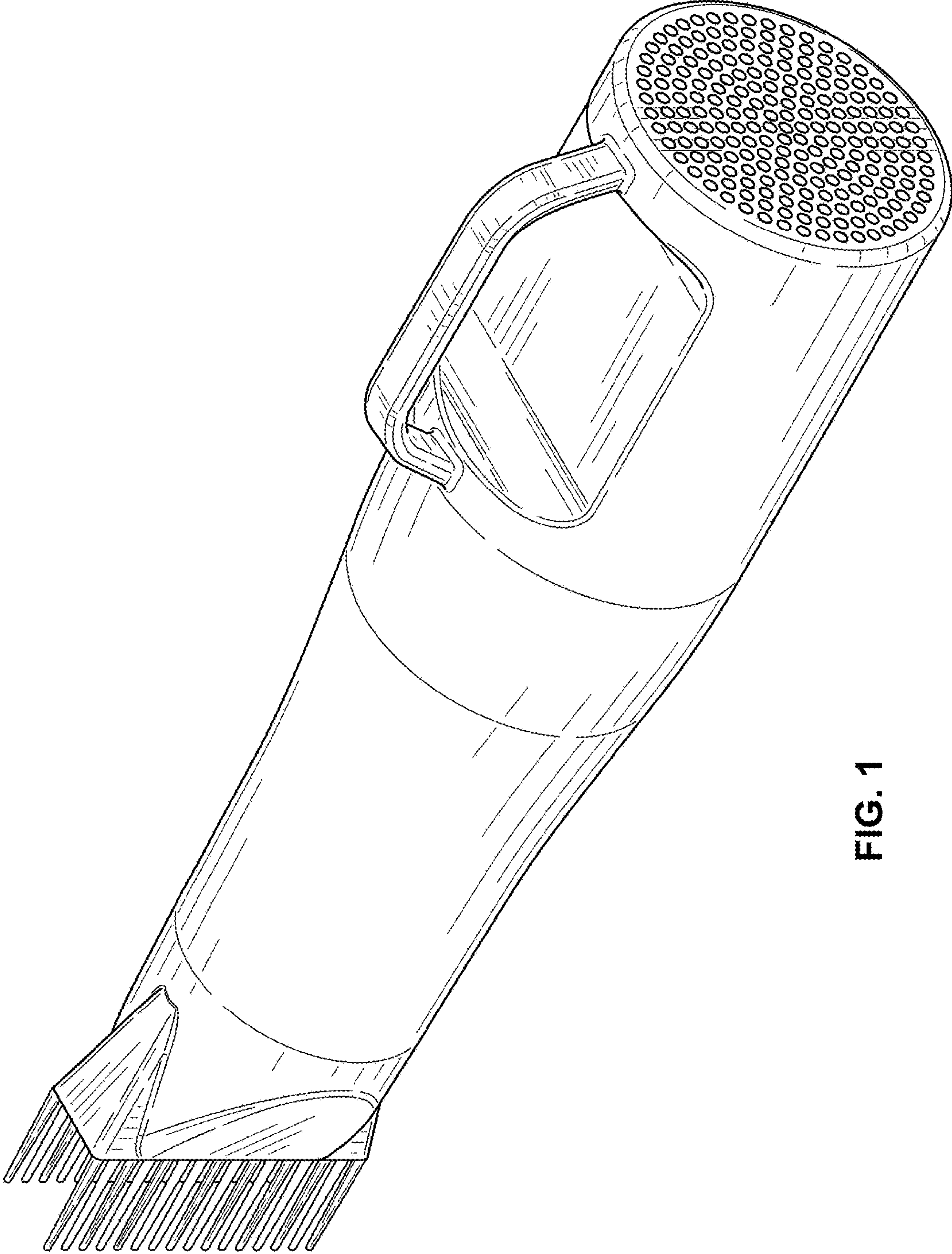


FIG. 1

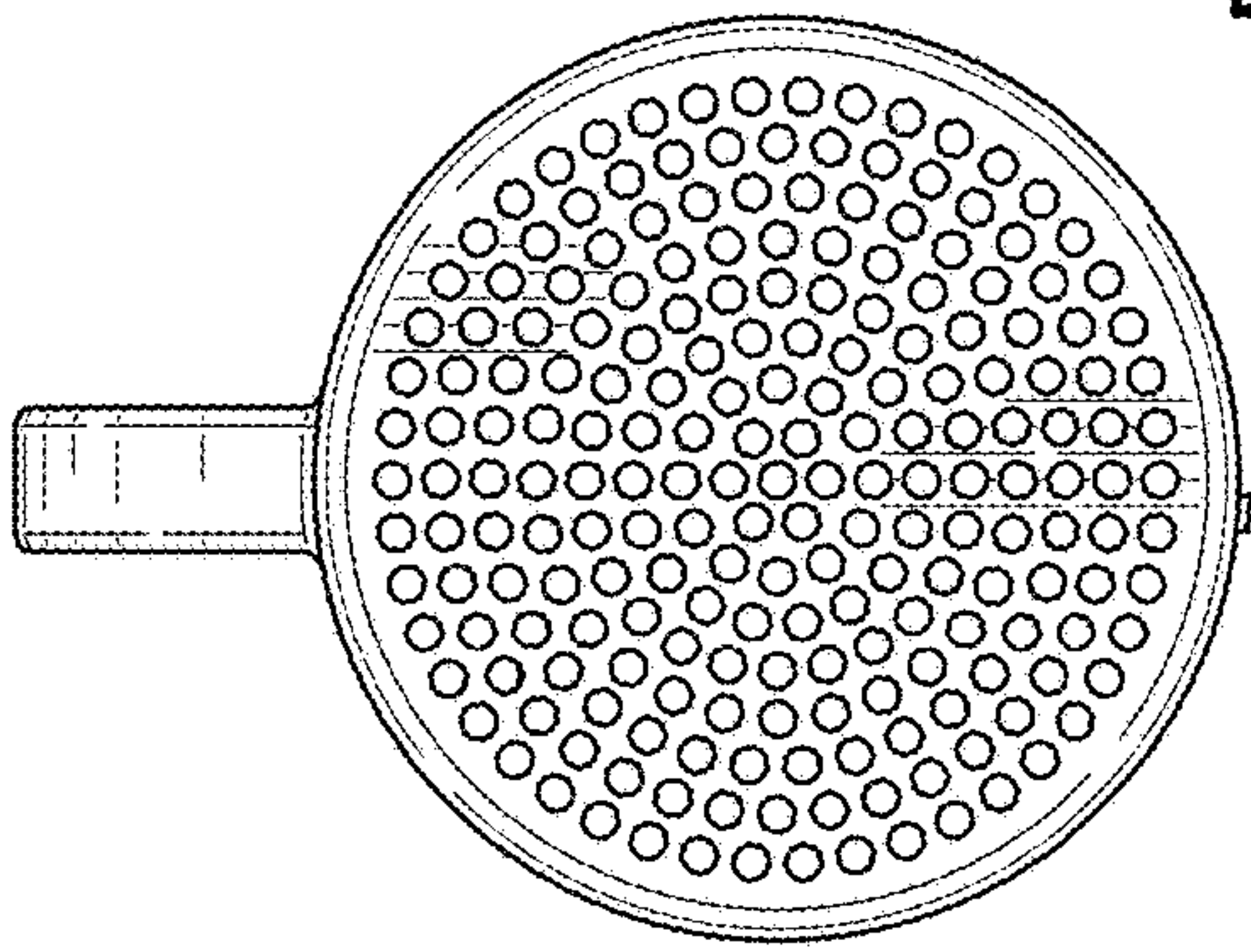


FIG. 3

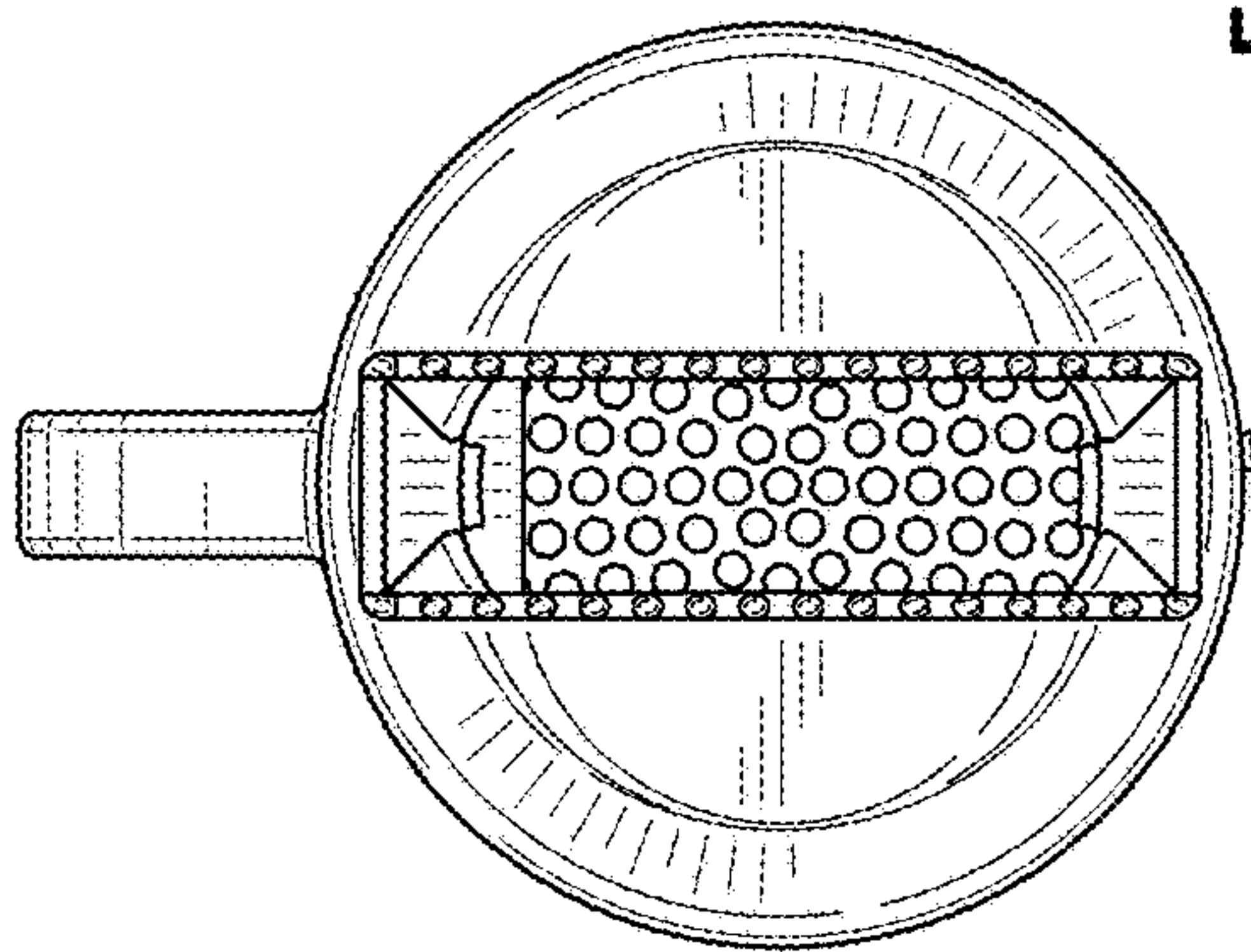


FIG. 2

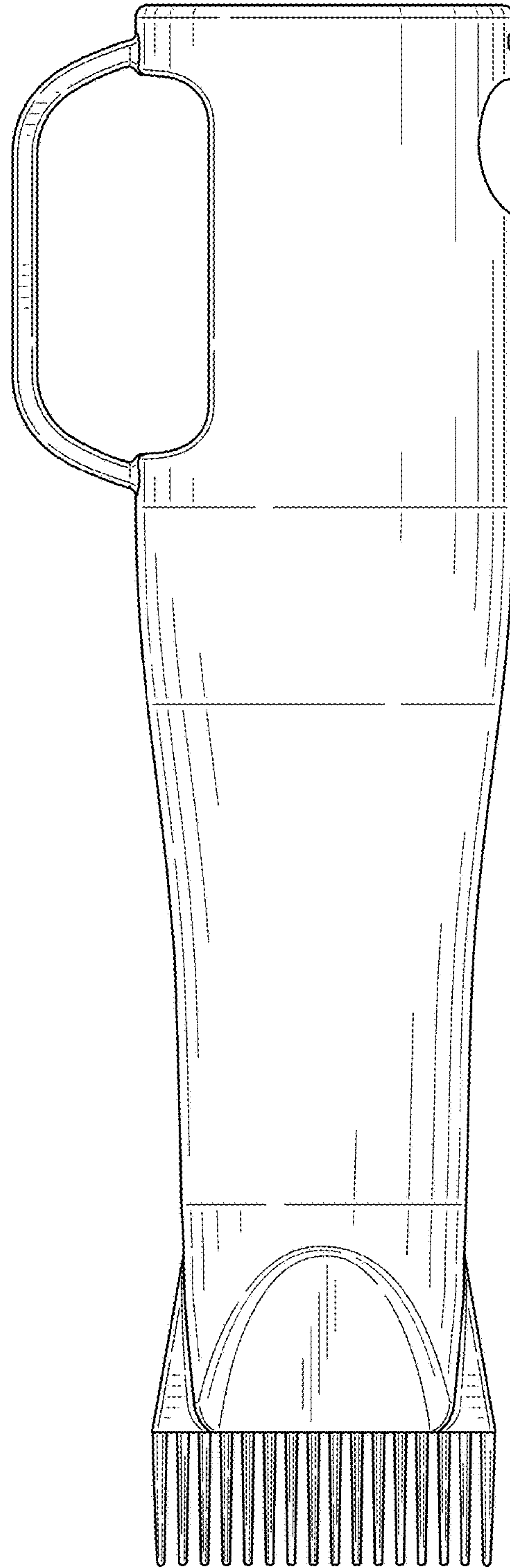


FIG. 4

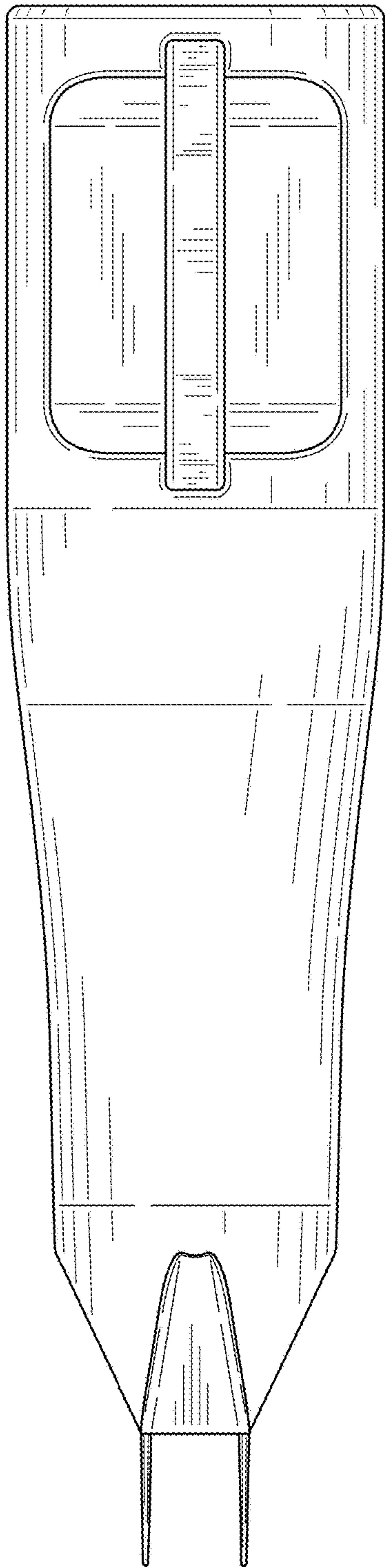


FIG. 5

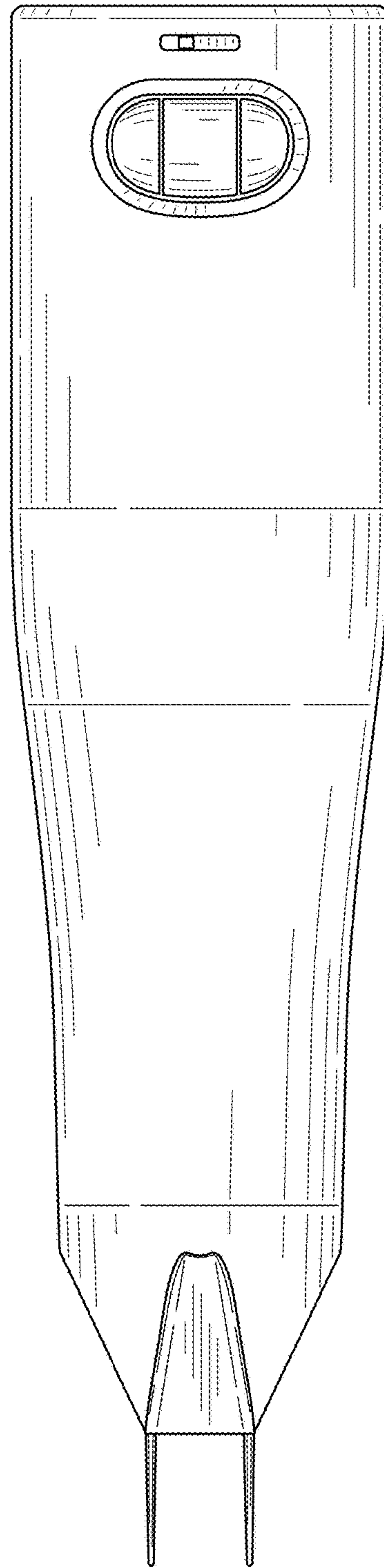


FIG. 6

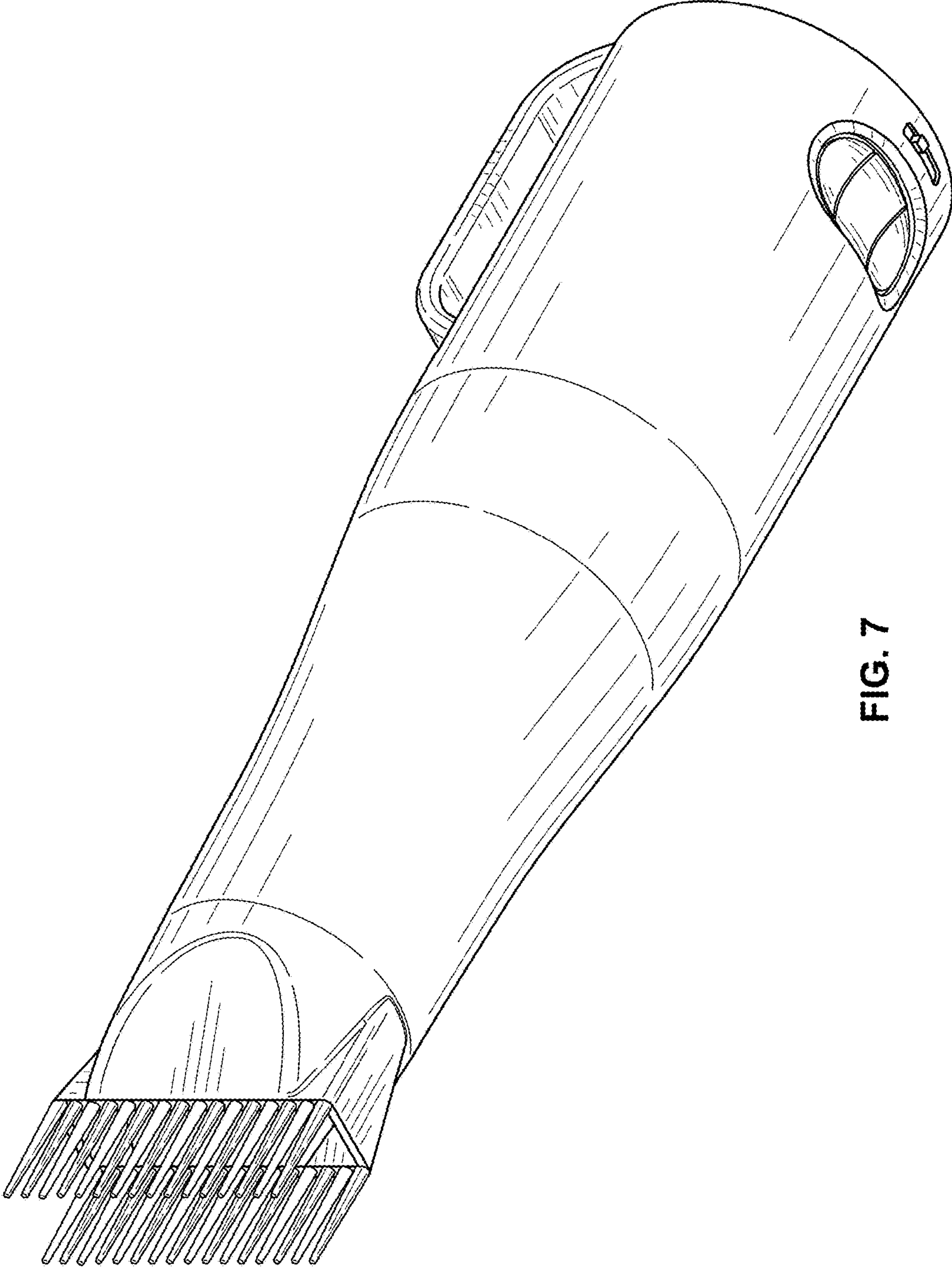


FIG. 7