



US00D803478S

(12) **United States Design Patent**
Levneff et al.

(10) **Patent No.:** **US D803,478 S**
(45) **Date of Patent:** **** Nov. 21, 2017**

- (54) **EYE COSMETIC APPLICATOR**
- (71) Applicants: **Liya Levneff**, Forest Hills, NY (US);
Yuriy Leviyev, Forest Hills, NY (US)
- (72) Inventors: **Liya Levneff**, Forest Hills, NY (US);
Yuriy Leviyev, Forest Hills, NY (US)
- (**) Term: **15 Years**
- (21) Appl. No.: **29/582,335**
- (22) Filed: **Oct. 27, 2016**
- (51) **LOC (10) Cl.** **28-02**
- (52) **U.S. Cl.**
USPC **D28/7**
- (58) **Field of Classification Search**
USPC D28/7, 10, 88-90, 92, 93, 39-43; D8/88,
D8/94, 107; 132/53-56, 201
CPC A45D 34/04; A45D 34/041; A45D 34/042;
A41G 3/0041; A41G 3/0083
See application file for complete search history.

5,137,038 A *	8/1992	Kingsford	A45D 40/265
				132/218
D355,503 S *	2/1995	Cassai	D28/7
D519,820 S *	5/2006	Newman	D8/1
D538,428 S *	3/2007	Andreen	D24/141
7,465,114 B2 *	12/2008	Kress	A45D 40/262
				15/22.1
8,087,415 B2 *	1/2012	Pires	A45D 40/265
				132/218
D692,179 S *	10/2013	Stadlbauer	D28/7
9,339,098 B2 *	5/2016	Takata	A45D 40/265
D787,835 S *	5/2017	Lim	D4/135

* cited by examiner

Primary Examiner — Susan Bennett Hattan
Assistant Examiner — Rebecca Tsehaye
(74) *Attorney, Agent, or Firm* — Andrew S. Langsam;
Pryor Cashman LLP

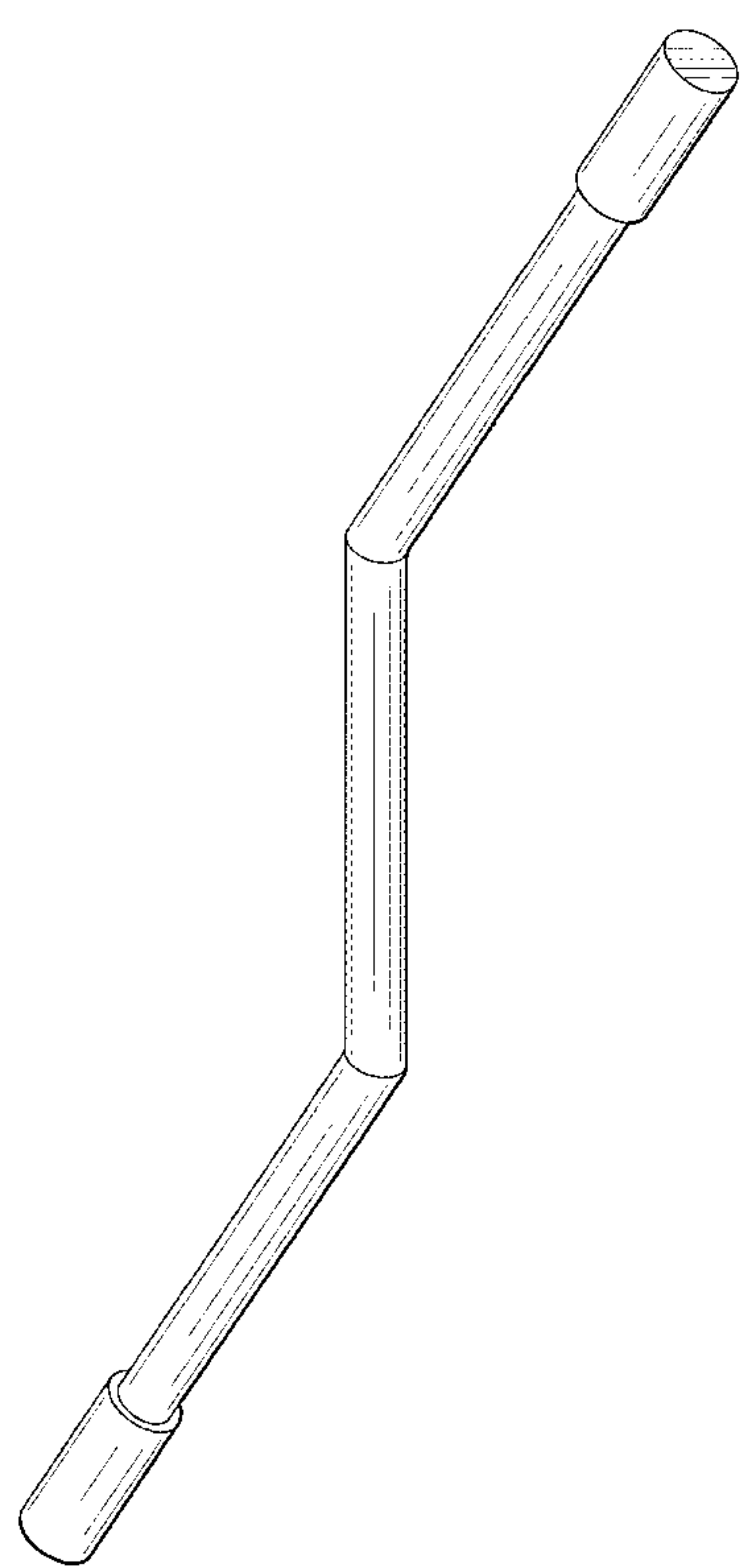
(57) **CLAIM**
We claim the ornamental design for an eye cosmetic applicator, as shown and described.

DESCRIPTION

FIG. 1 is a perspective view of the eye cosmetic applicator showing my new design;
FIG. 2 is a front elevational view thereof;
FIG. 3 is a rear elevational view thereof;
FIG. 4 is a top plan view thereof;
FIG. 5 is a bottom plan view thereof;
FIG. 6 is a left side view thereof; and,
FIG. 7 is a rights side view thereof.

1 Claim, 7 Drawing Sheets

- (56) **References Cited**
U.S. PATENT DOCUMENTS
- 4,165,755 A * 8/1979 Cassai A45D 40/265
132/218
- 4,428,388 A * 1/1984 Cassai A45D 40/265
132/218
- 4,600,328 A * 7/1986 Clements A45D 40/24
132/218
- D299,276 S * 1/1989 Cassai 401/129



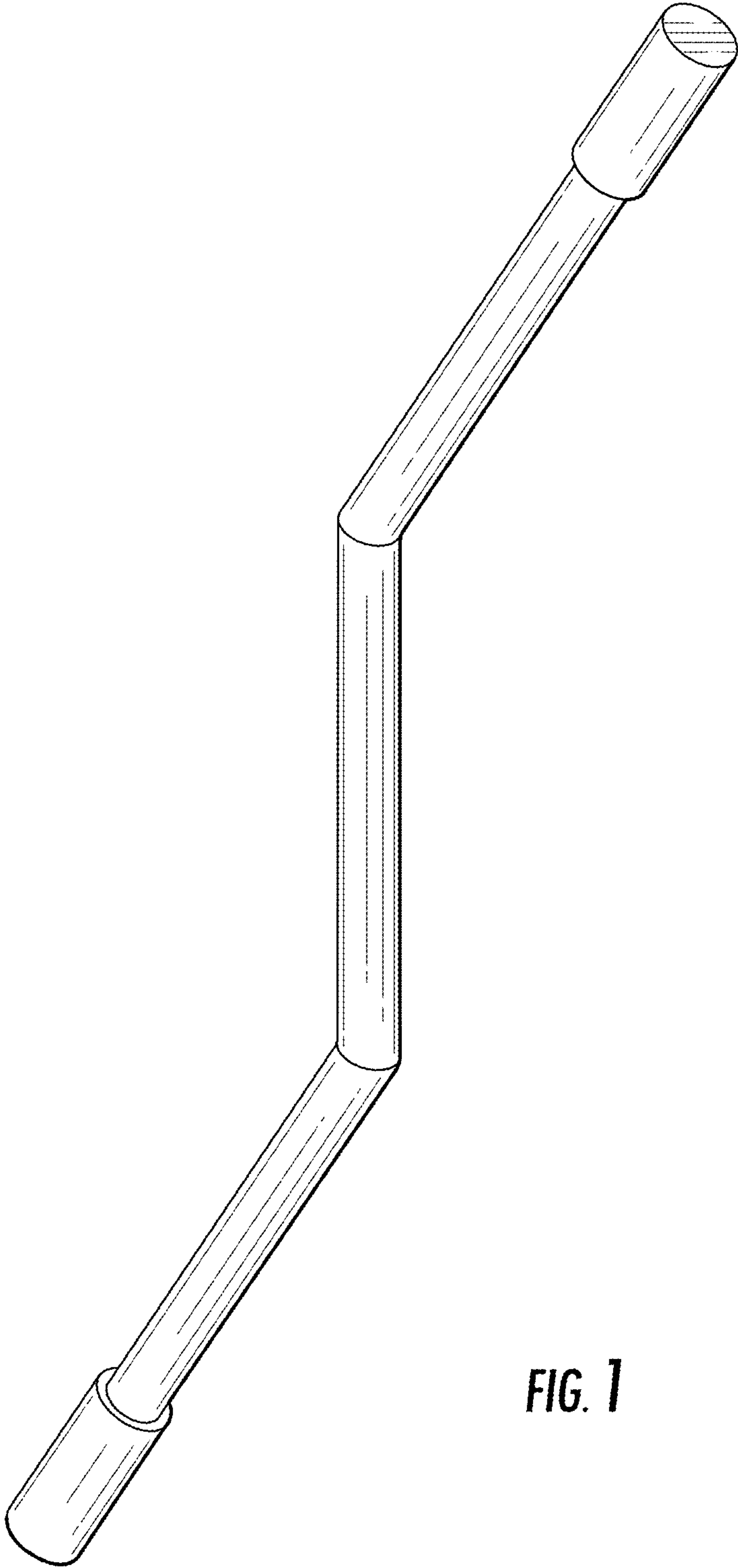


FIG. 1

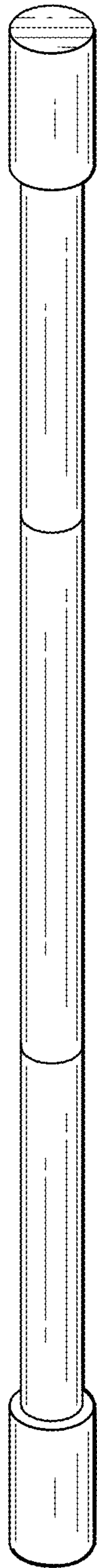


FIG. 2

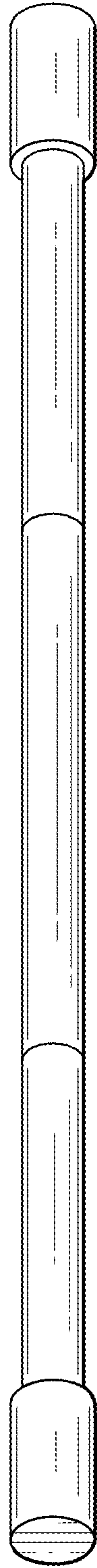


FIG. 3

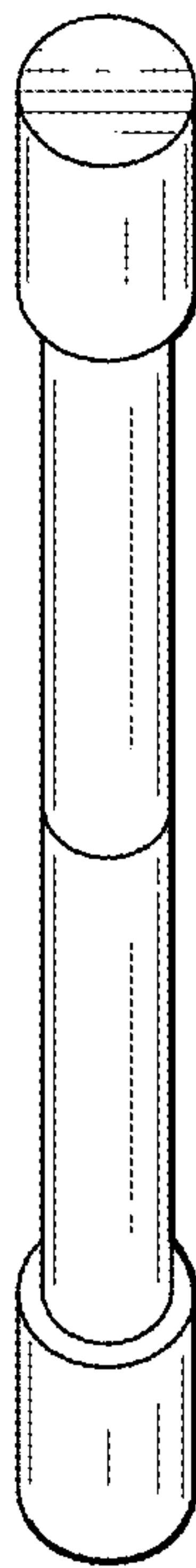


FIG. 4

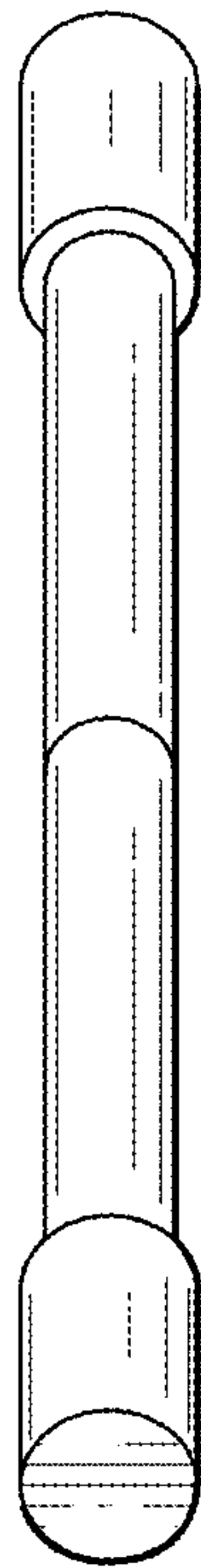


FIG. 5

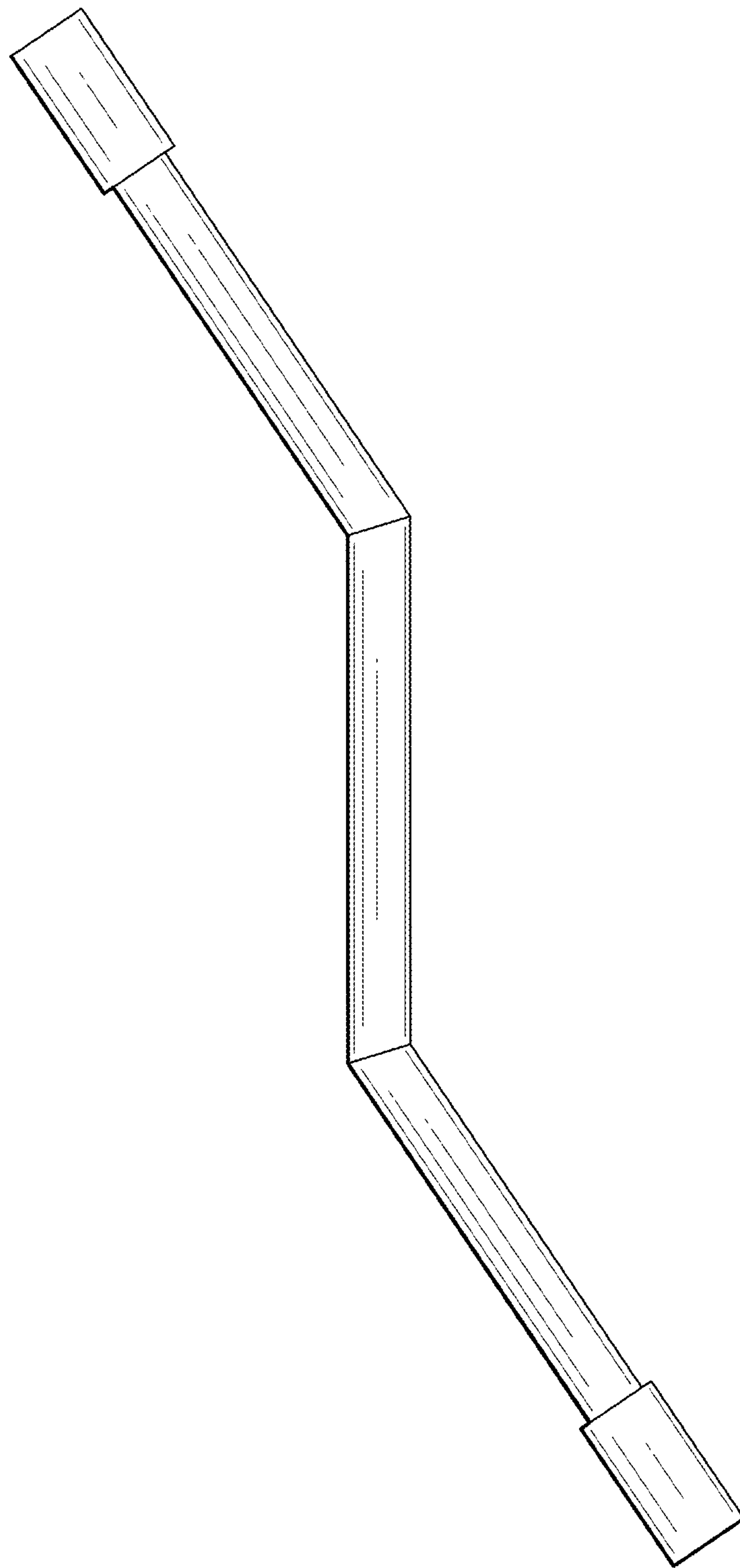


FIG. 6

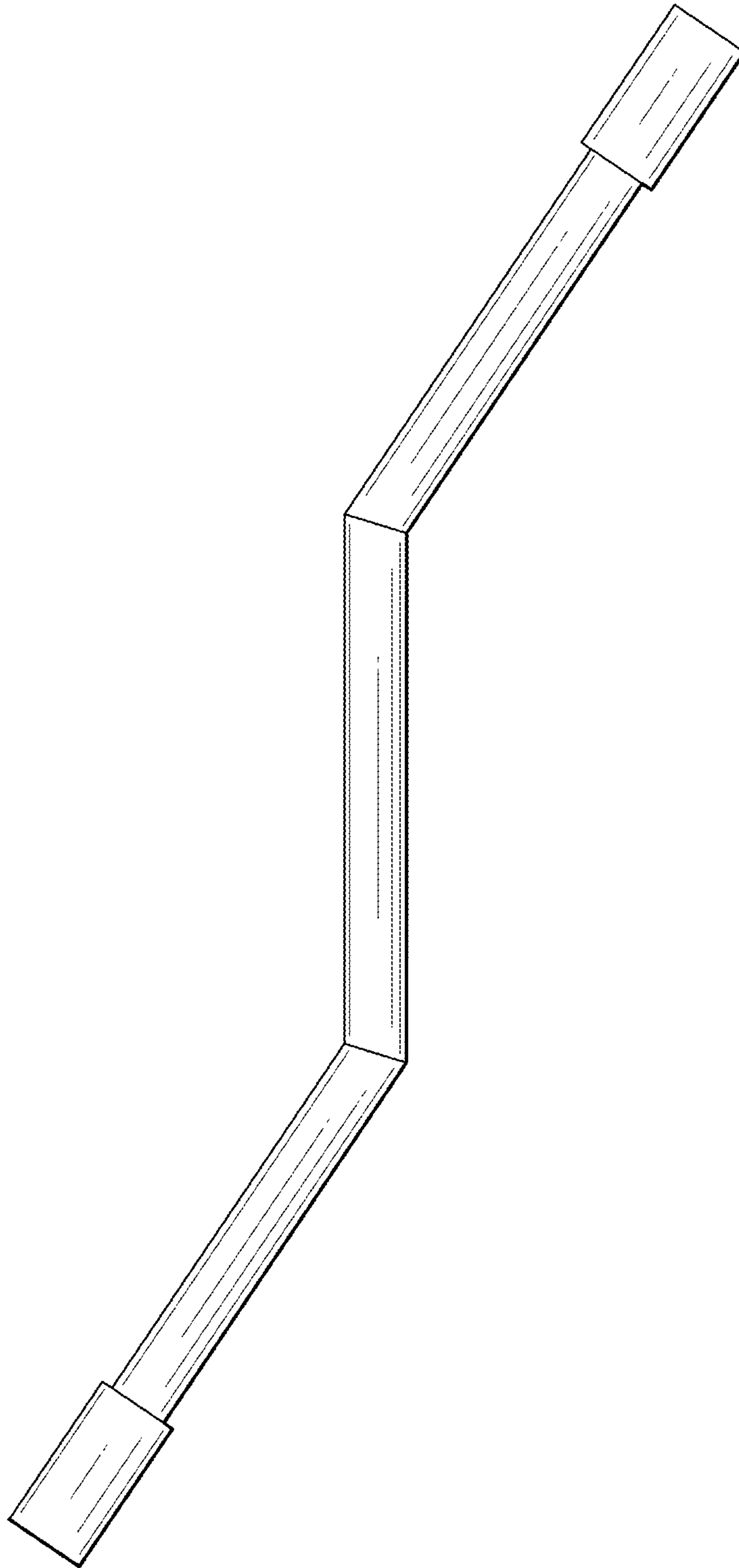


FIG. 7