



US00D803477S

(12) **United States Design Patent** (10) **Patent No.:** **US D803,477 S**
Meyer (45) **Date of Patent:** **** Nov. 21, 2017**

(54) **COMBINED SMOKING AND DRINKING VESSEL**

(71) Applicant: **Jonathan Meyer**, Saratoga Springs, NY (US)

(72) Inventor: **Jonathan Meyer**, Saratoga Springs, NY (US)

(**) Term: **15 Years**

(21) Appl. No.: **29/563,008**

(22) Filed: **May 2, 2016**

Related U.S. Application Data

(63) Continuation-in-part of application No. 13/471,661, filed on May 15, 2012, now Pat. No. 9,339,061.

(51) **LOC (10) Cl.** **27-06**

(52) **U.S. Cl.**
USPC **D27/187**

(58) **Field of Classification Search**
USPC D27/100, 101, 162, 163-169, 172, 175, D27/186, 189, 193, 194, 195, 136, 137, D27/138, 139, 141, 144; D10/40, 49, 50; D14/191, 257; D23/360, 363, 366; D11/143; D24/224; D9/523, 524, 559, D9/562

CPC .. A24F 5/00; A24F 47/008; A24F 7/02; A24F 47/002; A24F 15/12; A24F 15/18

See application file for complete search history.

(56) **References Cited**

U.S. PATENT DOCUMENTS

D321,646 S * 11/1991 Robertson D9/524
D345,880 S * 4/1994 Classen D7/305

D374,369 S * 10/1996 Wilkinson D7/305
RE36,254 E * 7/1999 Newman D27/162
D502,401 S * 3/2005 Schmedes D9/417
D641,244 S * 7/2011 Bysick D9/502
D660,512 S * 5/2012 Aguirre D27/163
D722,956 S * 2/2015 Alima D13/103
D740,678 S * 10/2015 Fukumoto D9/559
D773,728 S * 12/2016 Eksouzian D27/162
D780,990 S * 3/2017 Liu D27/101
2012/0152263 A1 * 6/2012 Schoenfeld A47G 19/2205
131/186
2017/0056607 A1 * 3/2017 Jones A61M 11/003

* cited by examiner

Primary Examiner — Robert M Spear

Assistant Examiner — Marissa J Cash

(74) *Attorney, Agent, or Firm* — Dale J. Ream

(57) **CLAIM**

The ornamental design for a combined smoking and drinking vessel, as shown and described.

DESCRIPTION

FIG. 1 is a perspective view of a combined smoking and drinking vessel showing my new design.

FIG. 2 is a front view thereof;

FIG. 3 is a back view thereof;

FIG. 4 is a top view thereof;

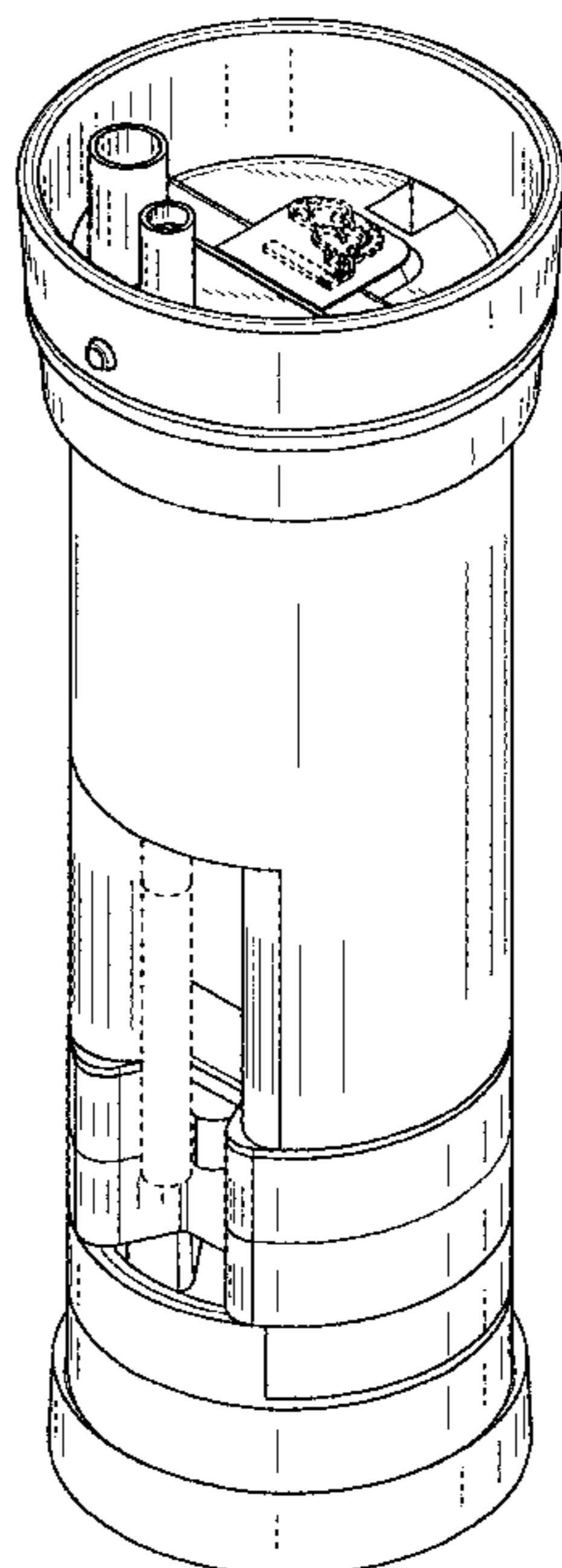
FIG. 5 is a bottom view thereof;

FIG. 6 is a right side view thereof; and,

FIG. 7 is a left side view thereof.

In the drawings, the broken lines represent unclaimed environment subject matter and form no part of the claimed design.

1 Claim, 7 Drawing Sheets



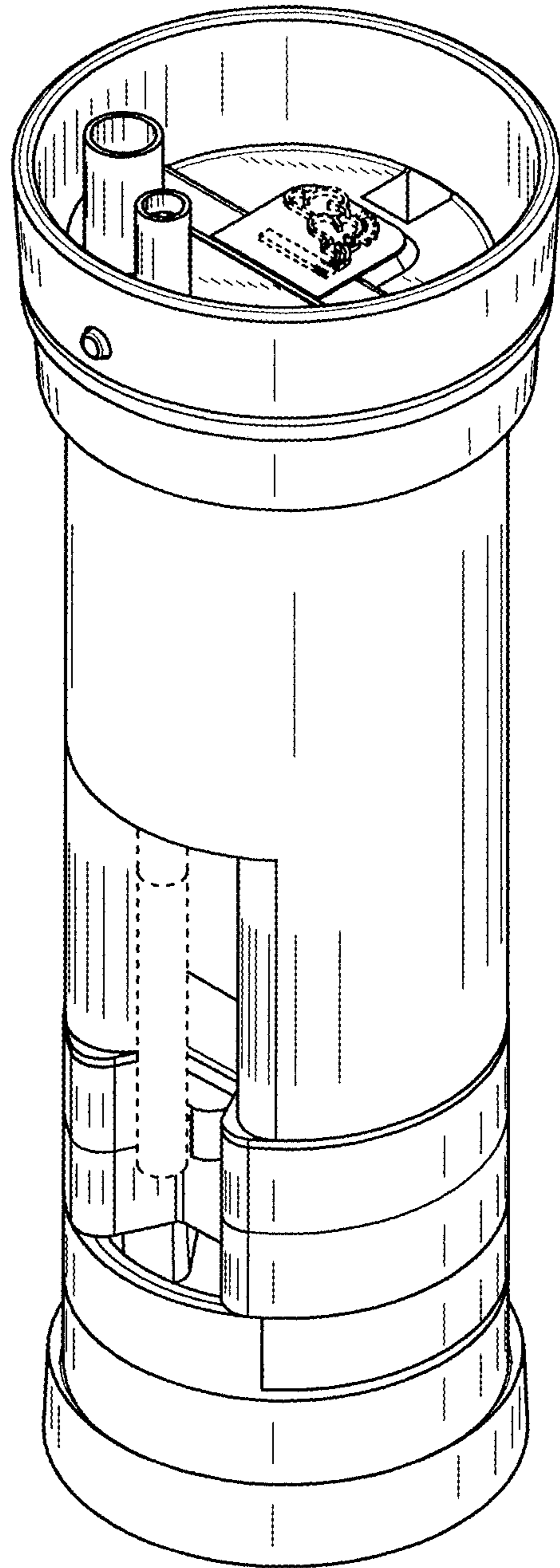


FIG. 1

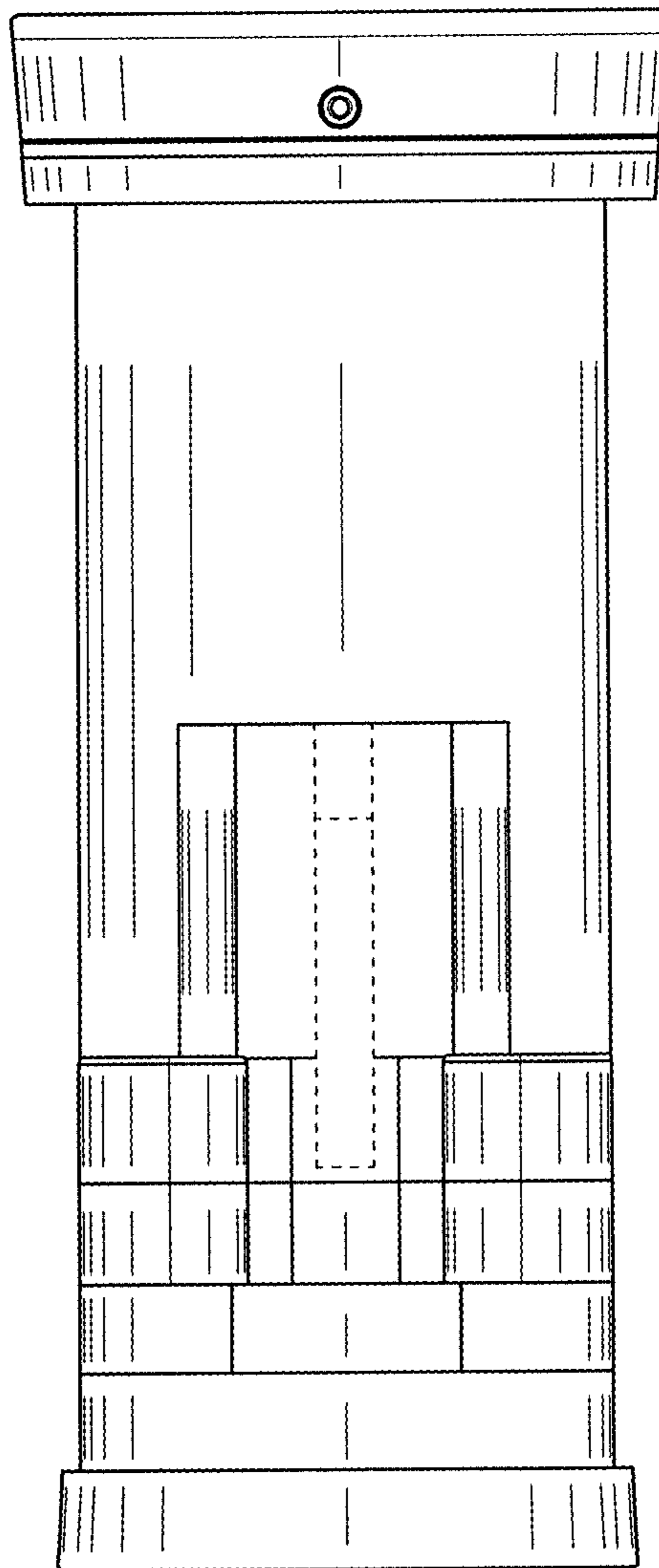


FIG. 2

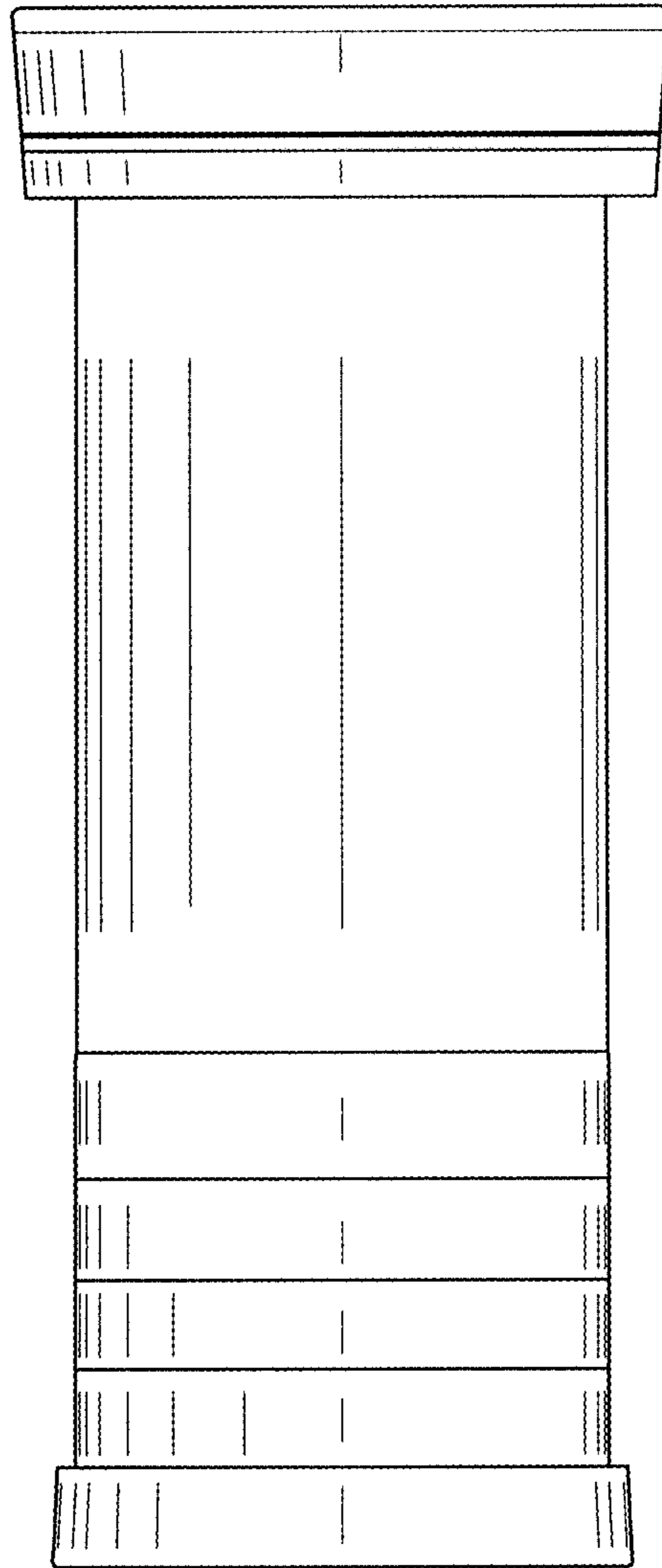


FIG. 3

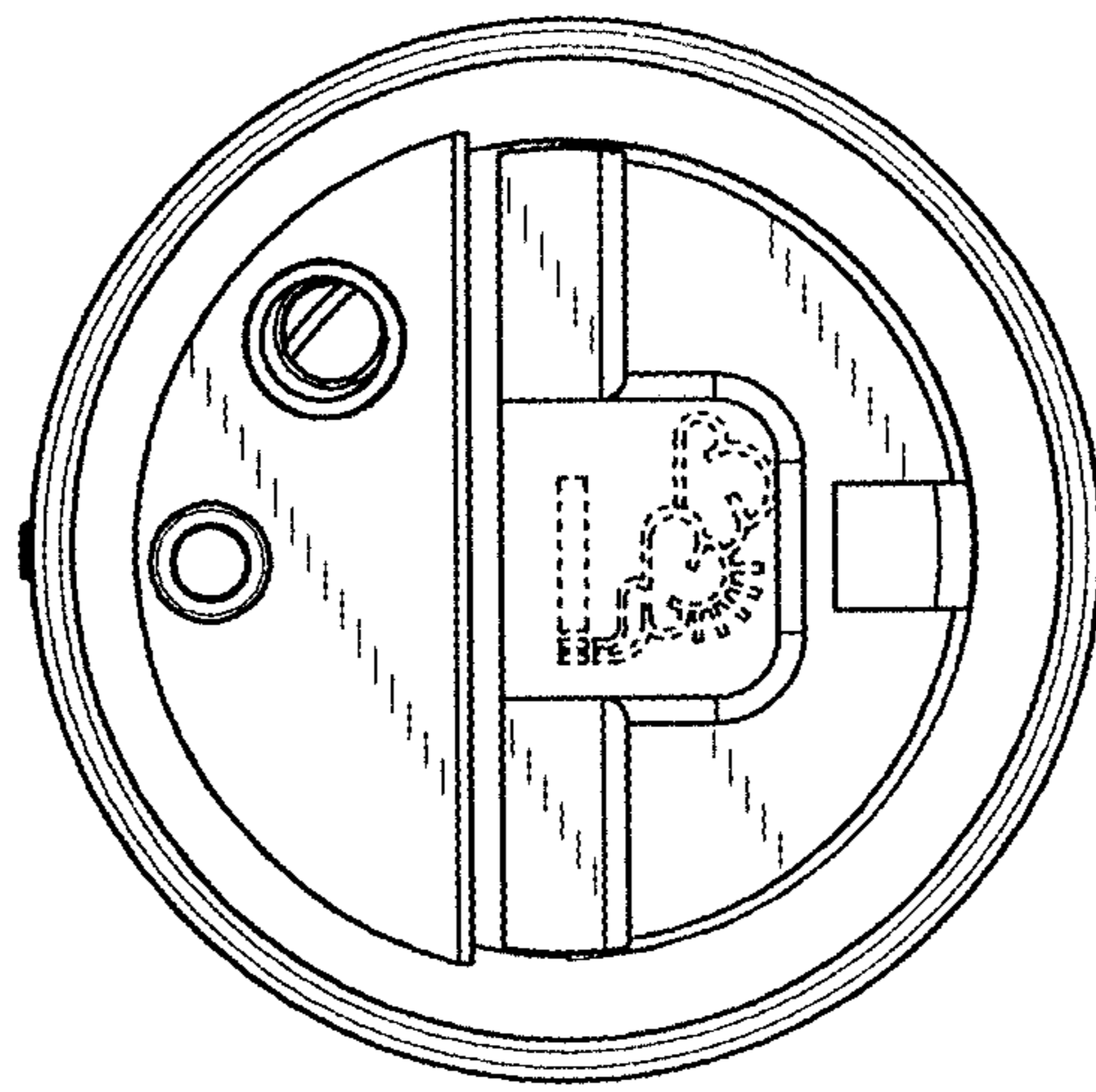


FIG. 4

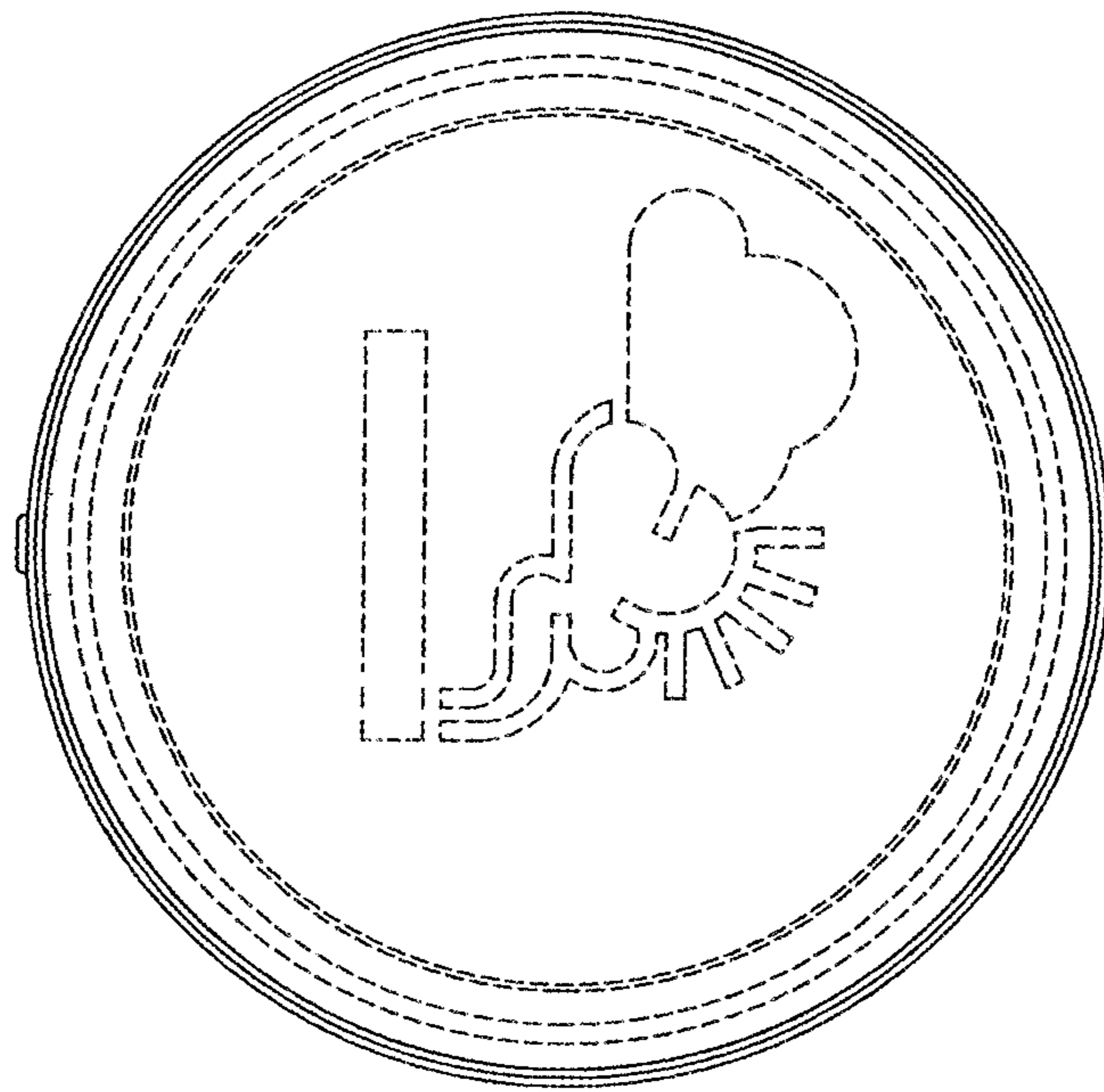


FIG. 5

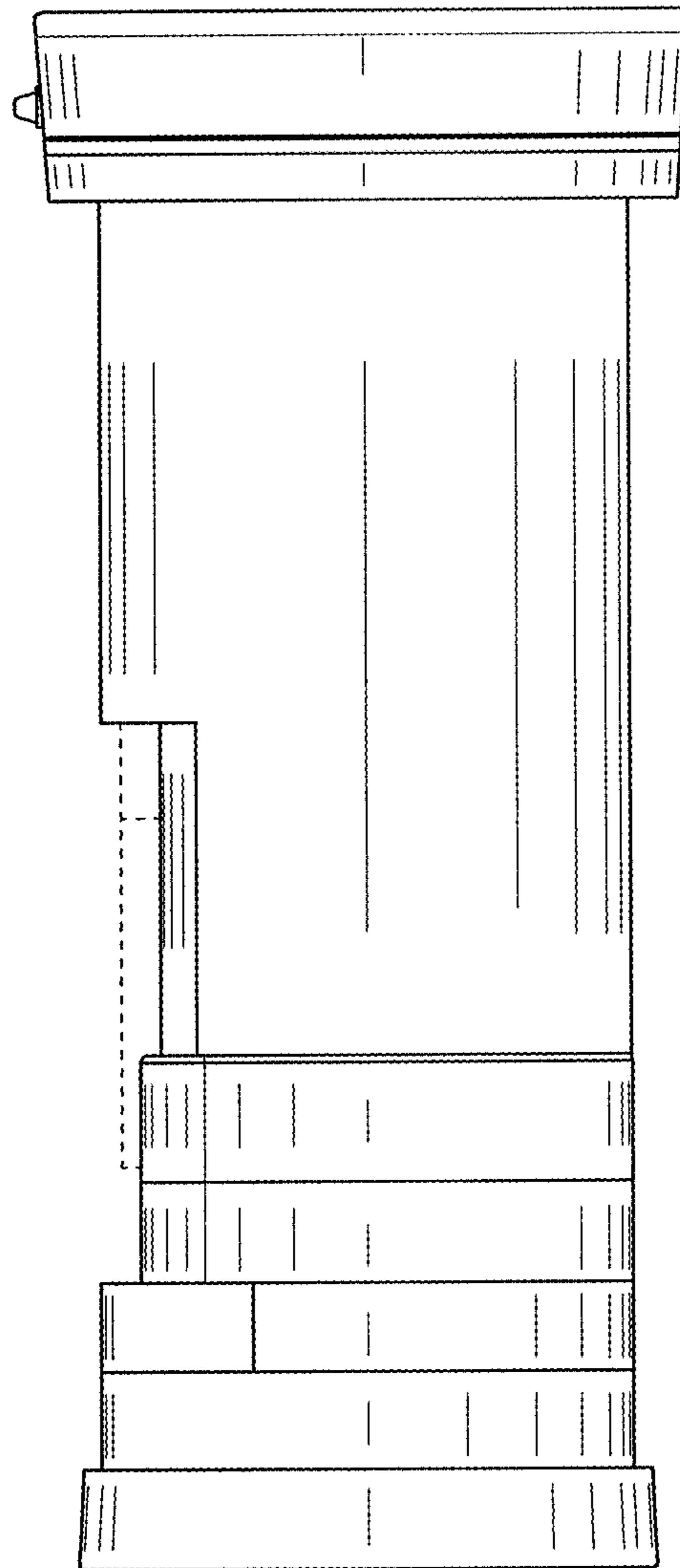


FIG. 6

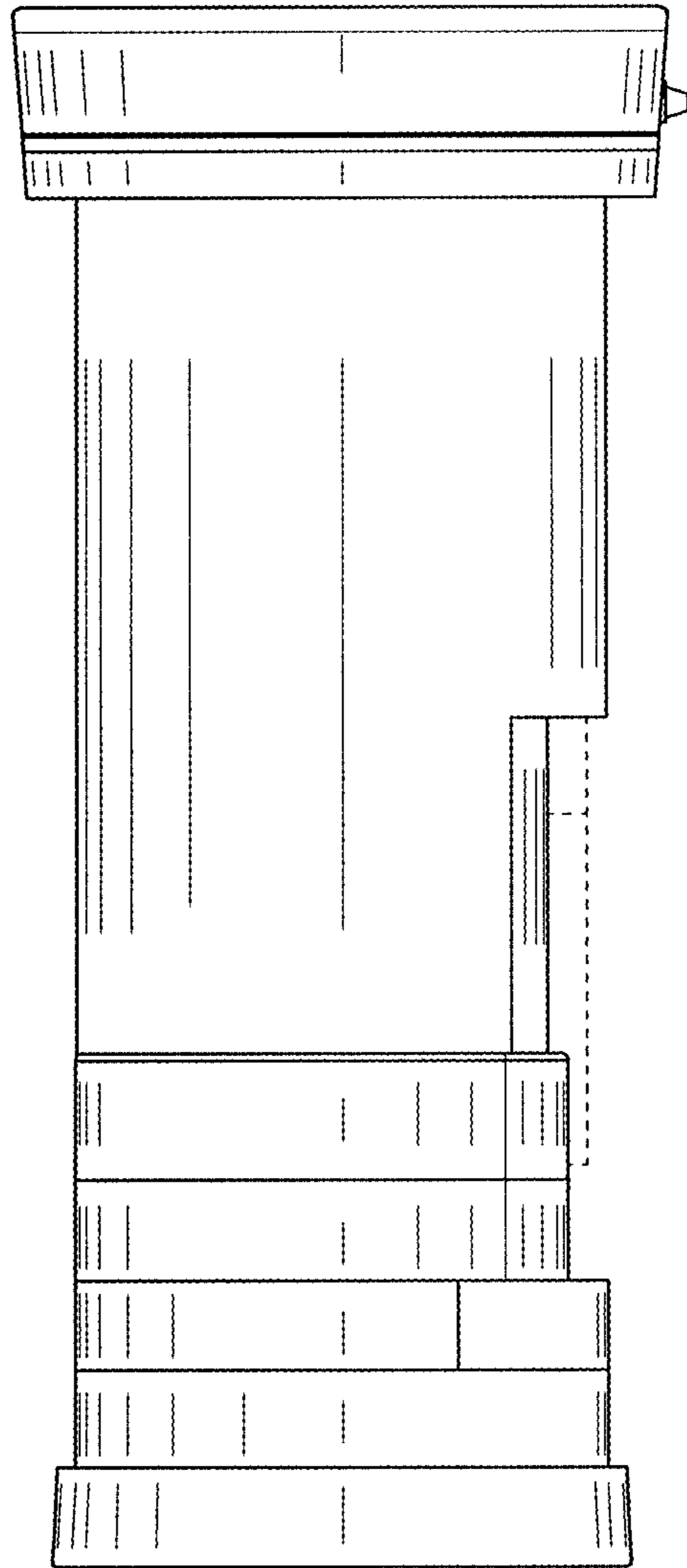


FIG. 7