



US00D803476S

(12) **United States Design Patent** (10) **Patent No.:** **US D803,476 S**  
**Reaux** (45) **Date of Patent:** **\*\* Nov. 21, 2017**

(54) **ROLLING PAPER**  
(71) Applicant: **Brian K. Reaux**, Red Oak, TX (US)  
(72) Inventor: **Brian K. Reaux**, Red Oak, TX (US)  
(73) Assignee: **Brian K. Reaux**, Red Oak, TX (US)  
(\*\*) Term: **15 Years**  
(21) Appl. No.: **29/505,955**  
(22) Filed: **Apr. 27, 2016**  
(51) **LOC (10) Cl.** ..... **27-01**  
(52) **U.S. Cl.**  
USPC ..... **D27/101**  
(58) **Field of Classification Search**  
USPC ..... D27/100, 101, 183, 194, 184, 186, 193,  
D27/172  
CPC ..... A24B 3/14; A24B 15/283; A24D 1/022;  
A24D 3/02  
See application file for complete search history.

6,164,443 A \* 12/2000 Mitchell ..... A24C 5/40  
131/347  
D623,538 S 9/2010 Kesselman  
8,051,857 B1 \* 11/2011 Baptiste ..... A24D 1/022  
131/28  
D680,682 S \* 4/2013 Fallon ..... D27/101  
9,179,706 B2 11/2015 Jespersen  
9,220,298 B1 12/2015 En'wezoh et al.  
9,282,767 B1 3/2016 Sinclair  
D771,307 S \* 11/2016 Wu ..... D27/101  
2013/0056166 A1 \* 3/2013 Lambert ..... A24D 1/022  
162/139  
2014/0360519 A1 \* 12/2014 George ..... A24D 1/02  
131/365  
2015/0282523 A1 \* 10/2015 O'Malley ..... A24D 1/022  
131/58  
2016/0050971 A1 \* 2/2016 Harrison ..... A24D 1/022  
131/365  
2017/0064995 A1 \* 3/2017 Beeson ..... A24F 47/002  
2017/0112187 A1 \* 4/2017 Ostrander ..... A24D 1/022

\* cited by examiner

*Primary Examiner* — Karen E Kearney  
*Assistant Examiner* — Jennifer M Campbell

(56) **References Cited**  
U.S. PATENT DOCUMENTS

2,801,636 A \* 8/1957 Pfoh ..... A24B 15/14  
131/354  
4,033,358 A \* 7/1977 Harrington ..... A24D 1/02  
131/260  
4,114,629 A 9/1978 Sedlacek  
RE30,558 E \* 3/1981 Harrington ..... A24D 1/02  
131/260  
4,984,589 A 1/1991 Riedesser  
D347,489 S \* 5/1994 Kastner ..... D27/194  
5,645,089 A \* 7/1997 Burger ..... A24C 5/40  
131/105  
5,657,773 A \* 8/1997 George ..... A24C 5/40  
131/260  
5,762,074 A 6/1998 Garner  
D408,580 S 4/1999 Archetto et al.

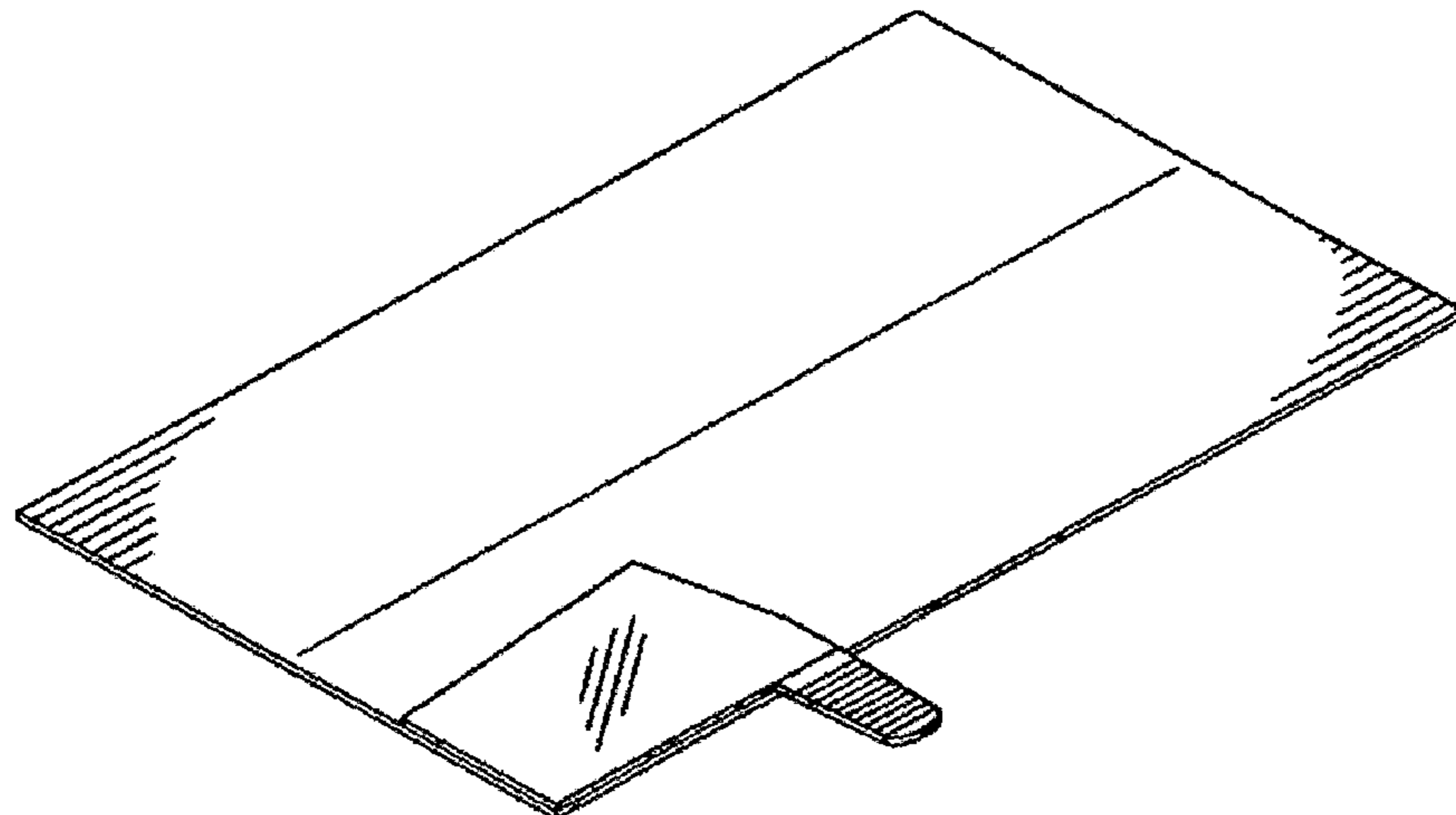
(57) **CLAIM**

The ornamental design for a rolling paper, as shown and described.

**DESCRIPTION**

FIG. 1 is a top perspective view showing my new design; FIG. 2 is a bottom perspective view thereof; FIG. 3 is a perspective view showing the rolling paper in a partially wrapped position; and, FIG. 4 is a perspective view showing the rolling paper in a fully wrapped position. The broken lines depict parts of the rolling paper and form no part of the claimed design.

**1 Claim, 1 Drawing Sheet**



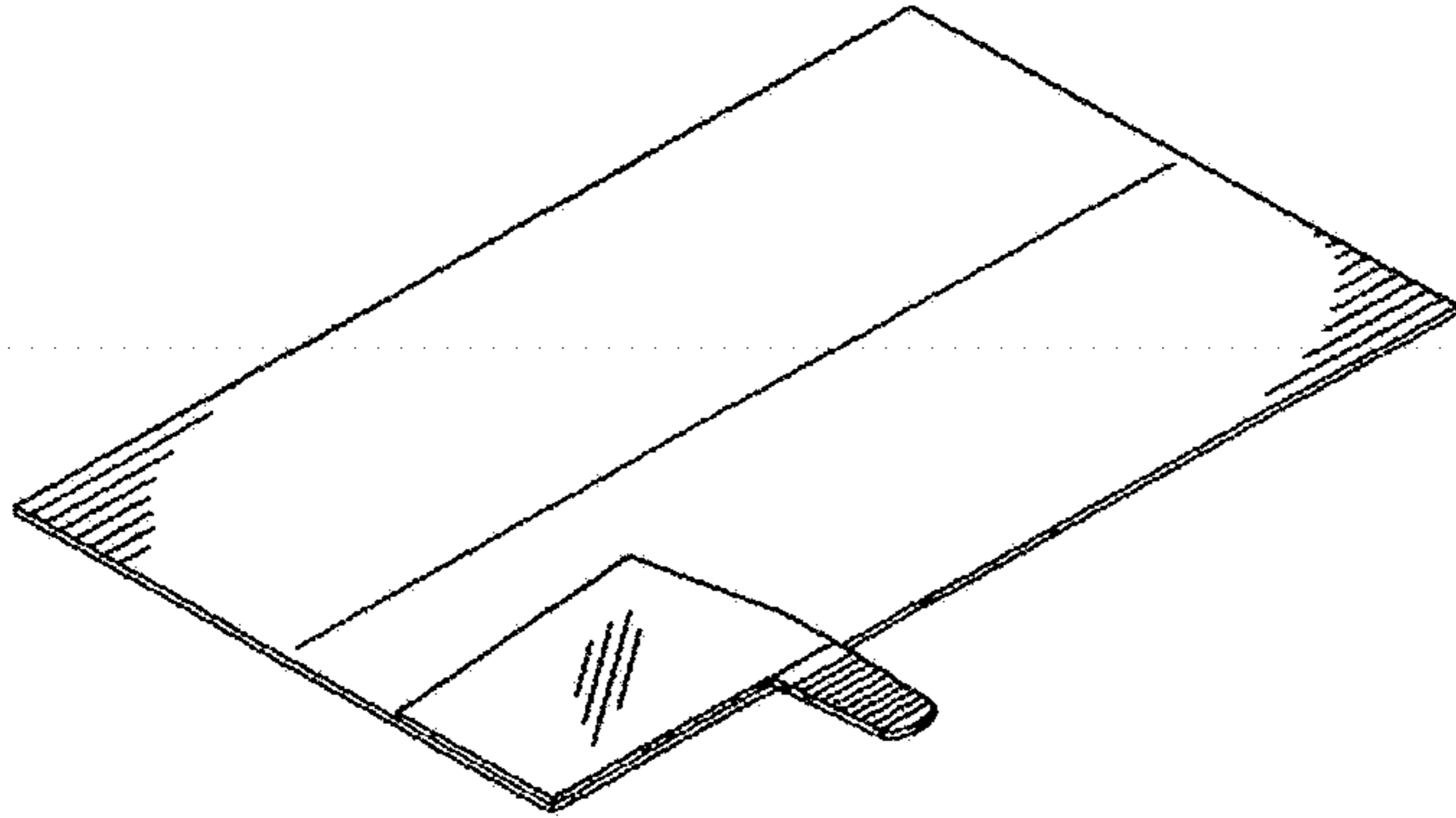


FIG. 1

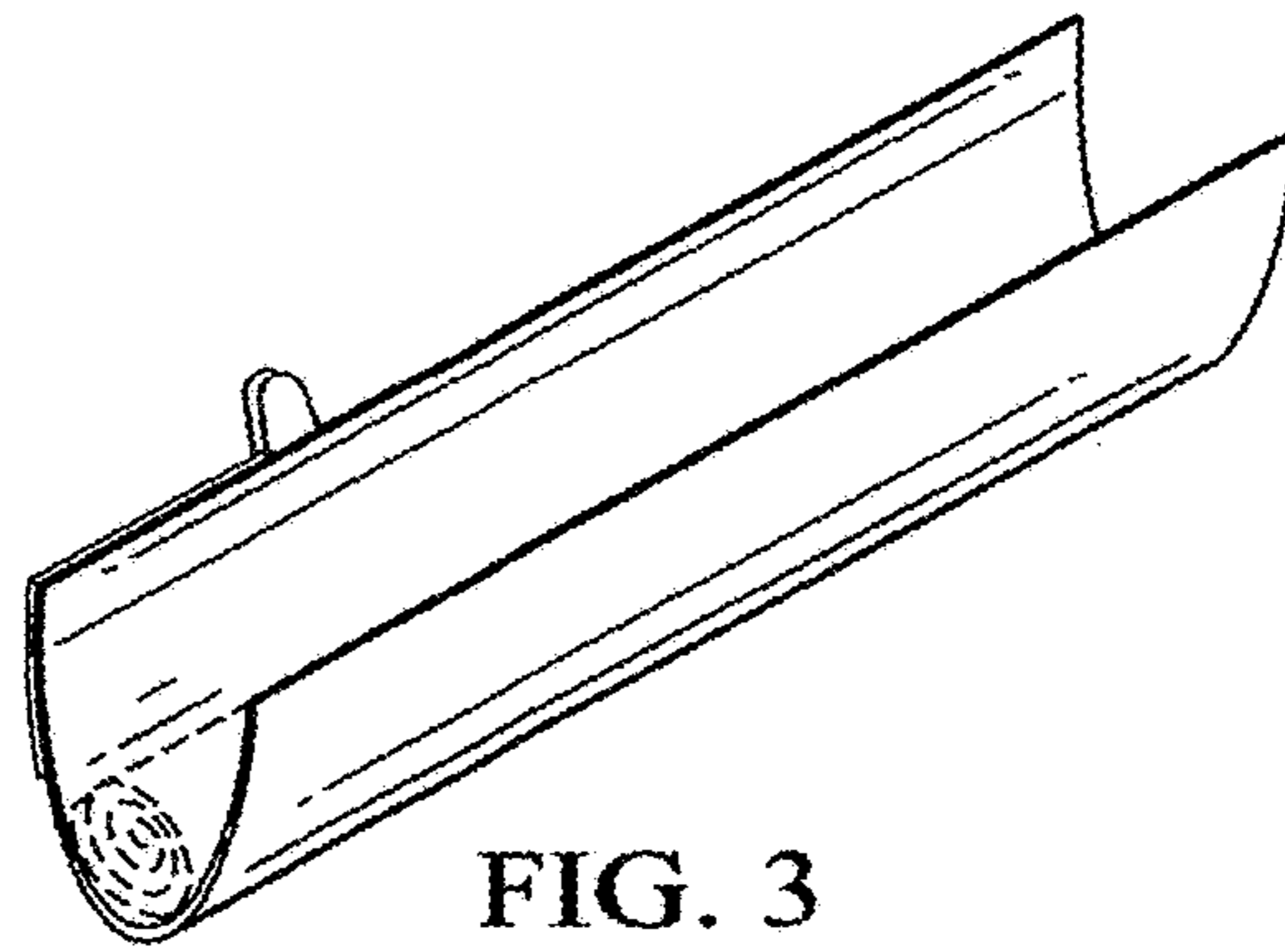


FIG. 3

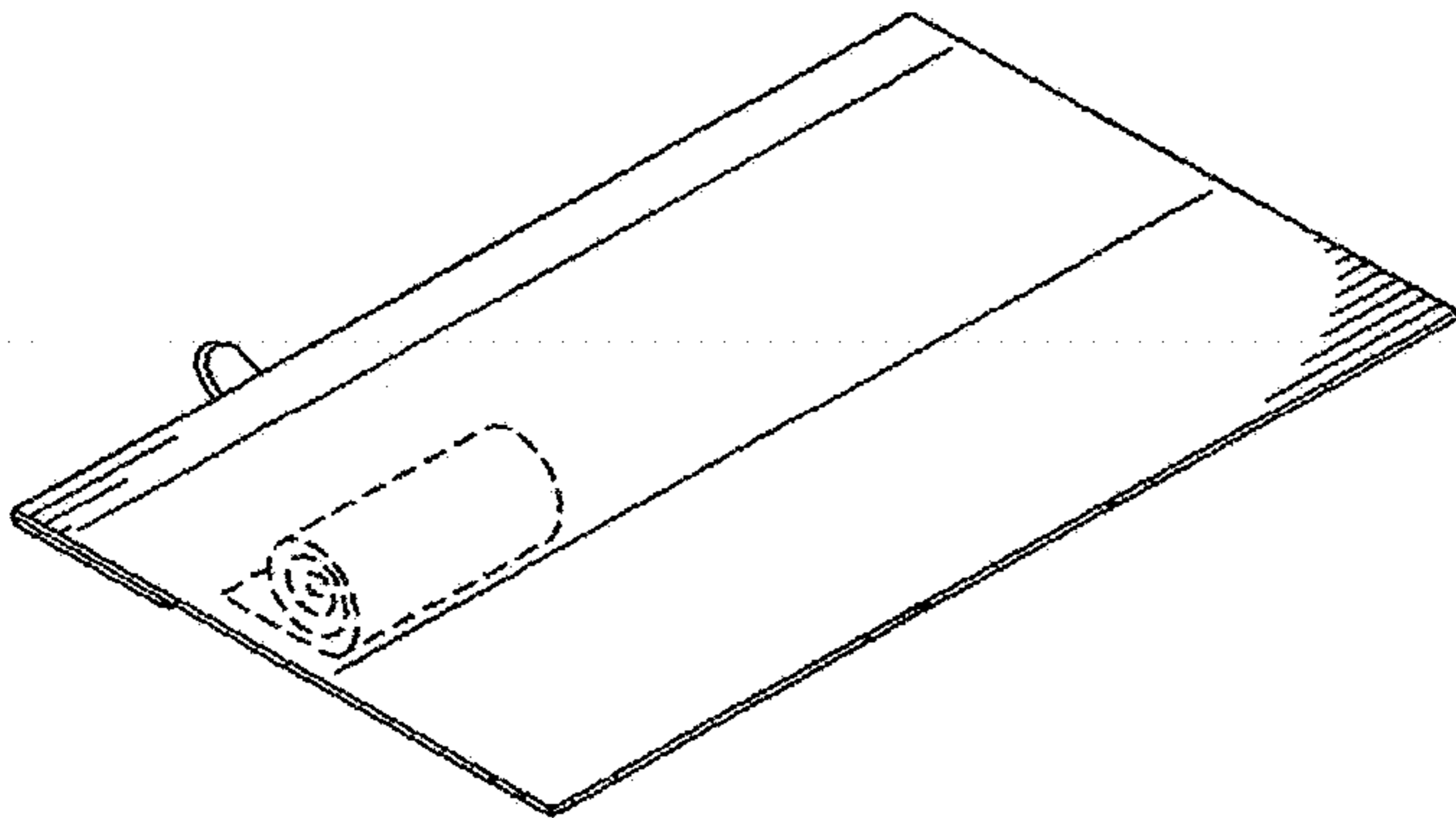


FIG. 2

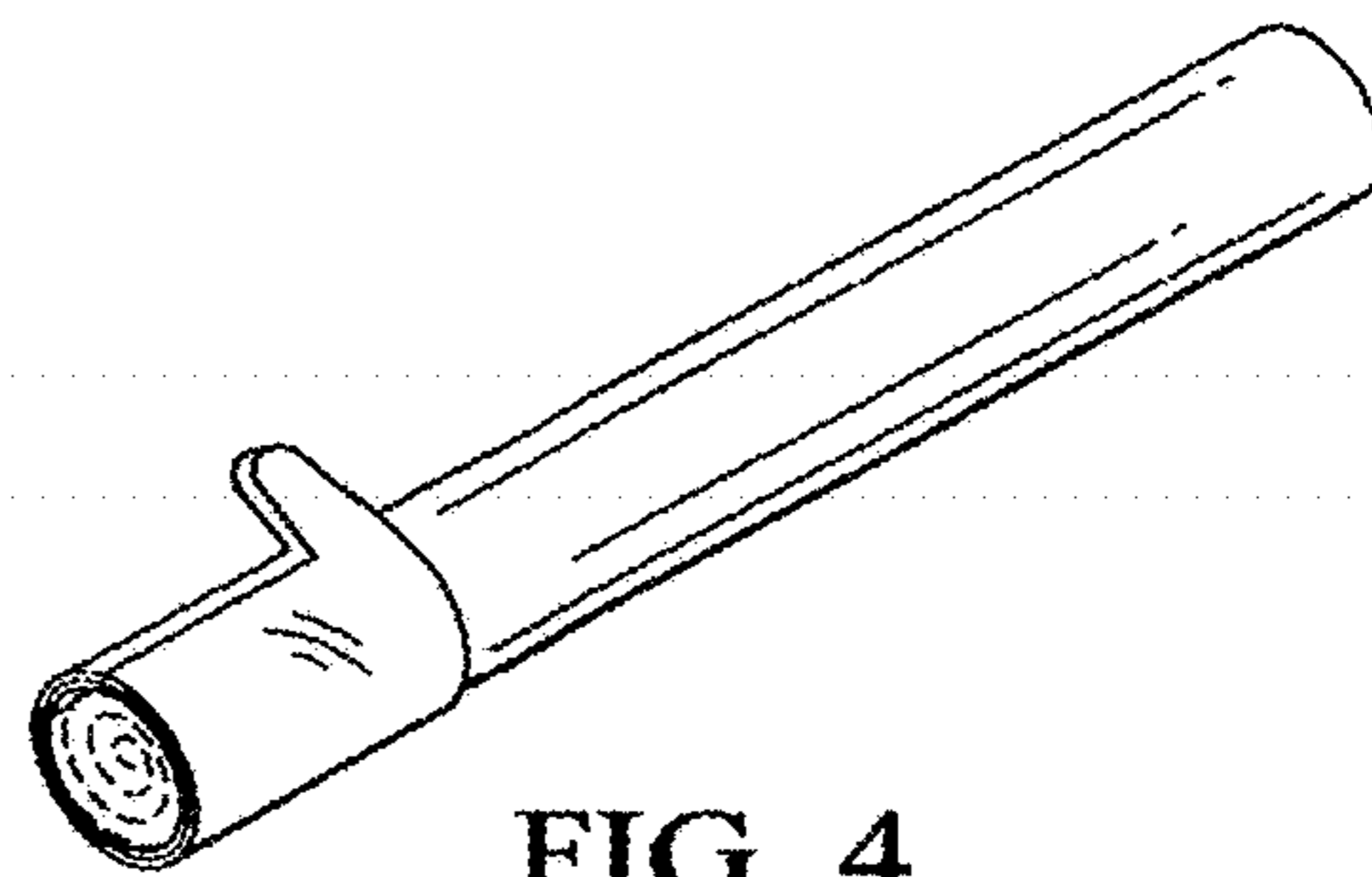


FIG. 4