



US00D803475S

(12) **United States Design Patent** (10) **Patent No.:** **US D803,475 S**
Scheiber (45) **Date of Patent:** **** Nov. 21, 2017**

(54) **SMOKELESS CIGARETTE**
(71) Applicant: **Datomar Spörri-Treuhand AG,**
Rotkreuz (CH)
(72) Inventor: **Patrik Scheiber,** Niederhasli (CH)
(73) Assignee: **DATAMOR SPÖRRI-TREUHAND**
AG, Rotkreuz (CH)
(**) Term: **14 Years**
(21) Appl. No.: **29/497,999**
(22) Filed: **Jul. 30, 2014**
(30) **Foreign Application Priority Data**
Jan. 31, 2014 (EM) 002396739
(51) **LOC (10) Cl.** **27-01**
(52) **U.S. Cl.**
USPC **D27/101**
(58) **Field of Classification Search**
USPC D27/101, 162, 163-169, 171; D24/110,
D24/113; D23/360; 131/329
CPC A24F 47/00; A24F 47/002; A24F 47/004;
A24F 47/006; A24F 47/008; F23Q 2/28
See application file for complete search history.

(56) **References Cited**
U.S. PATENT DOCUMENTS
D254,569 S * 3/1980 Moffat D24/134
D590,990 S * 4/2009 Hon D27/101
D590,991 S * 4/2009 Hon D27/101
D613,902 S * 4/2010 Kaljura D27/101
D623,351 S * 9/2010 Kirkeby D27/101
D624,238 S * 9/2010 Turner D24/133
D642,330 S * 7/2011 Turner D24/133
D652,987 S * 1/2012 Kaljura D27/101
D653,390 S * 1/2012 Kaljura D27/101
D653,802 S * 2/2012 Kaljura D27/101

D662,257 S * 6/2012 Alelov D27/101
D666,355 S * 8/2012 Alelov D27/101
D685,522 S * 7/2013 Potter D27/101
D691,324 S * 10/2013 Saliman D27/101
D695,449 S * 12/2013 Tucker D27/101
D724,781 S * 3/2015 Hearn D27/101
D727,564 S * 4/2015 LaForge D27/101
D728,154 S * 4/2015 Lavanchy D27/100
D729,439 S * 5/2015 Scatterday D27/101
D739,597 S * 9/2015 Lavanchy D27/101
D750,834 S * 3/2016 Wei D27/101
D750,835 S * 3/2016 Wei D27/101
2010/0083959 A1 * 4/2010 Siller A24F 47/006
128/202.21
2011/0220134 A1 * 9/2011 Duke A24D 3/048
131/331
2013/0118509 A1 * 5/2013 Richardson A24D 1/02
131/280
2014/0283859 A1 * 9/2014 Minskoff A24F 47/008
131/329
2015/0216236 A1 * 8/2015 Bless B23K 26/20
131/328

* cited by examiner

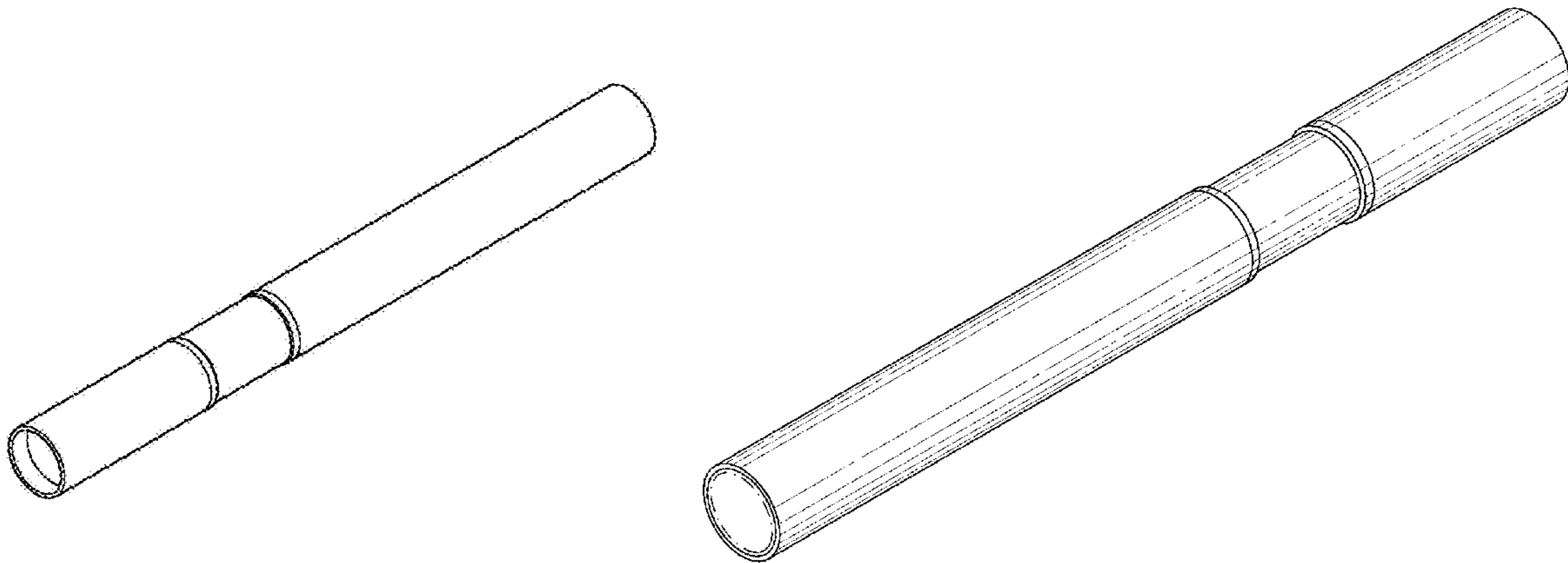
Primary Examiner — Janice Hallmark
(74) *Attorney, Agent, or Firm* — Shuttleworth &
Ingersoll, PLC; Timothy J. Klima

(57) **CLAIM**
The ornamental design for a smokeless cigarette, as shown
and described.

DESCRIPTION

FIG. 1 is a front perspective view;
FIG. 2 is a side view thereof; all sides are identical;
FIG. 3 is a front view thereof;
FIG. 4 is a rear view thereof; and,
FIG. 5 is a rear perspective view.
The dash-dot-dash broken lines in the drawings depict the
bounds of the claim and form no part of the claimed design.

1 Claim, 5 Drawing Sheets



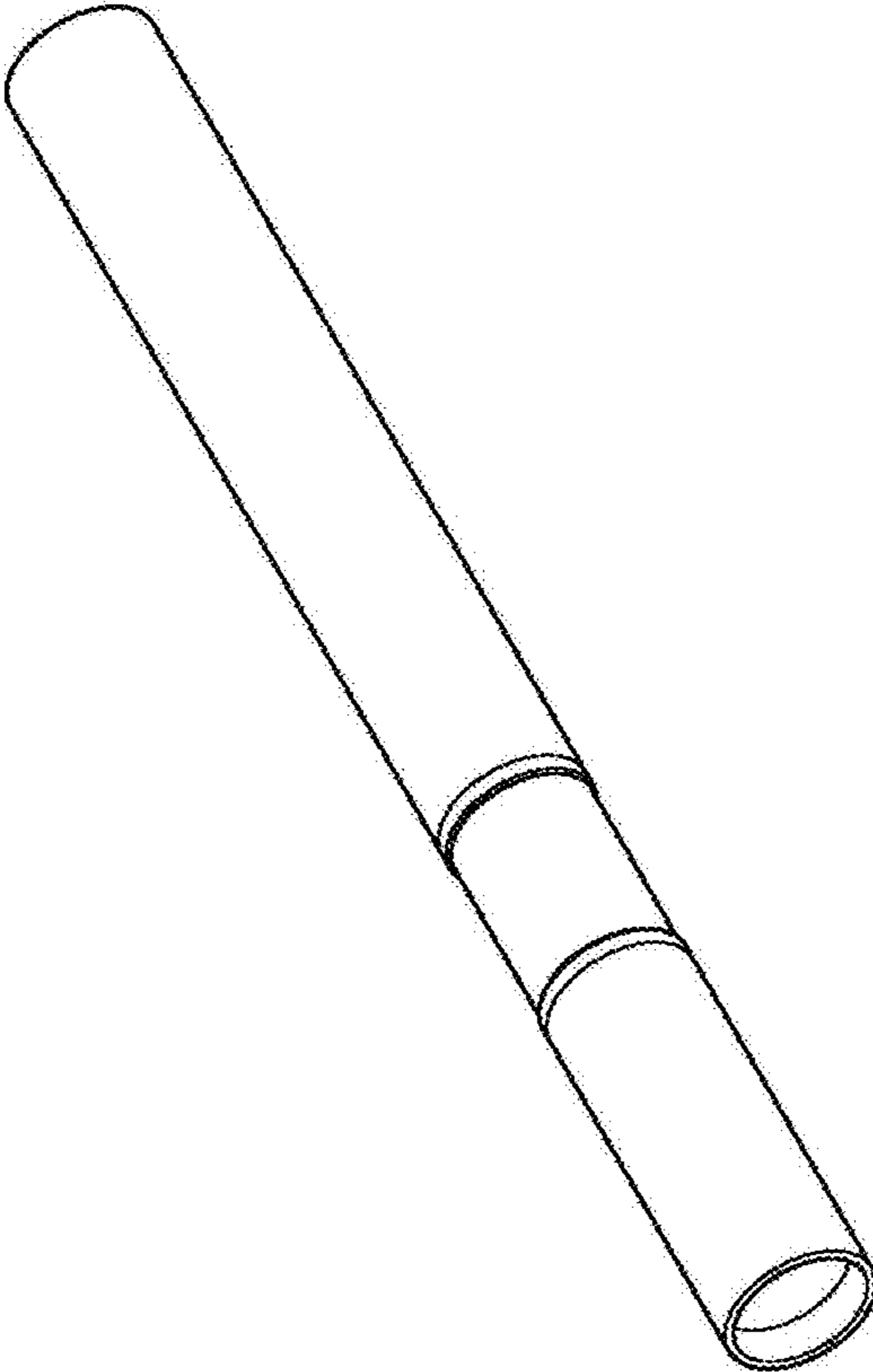


FIG. 1

FIG. 2



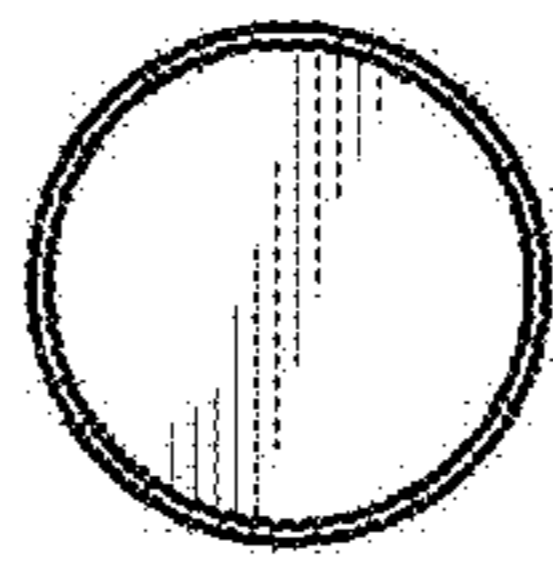


FIG. 3

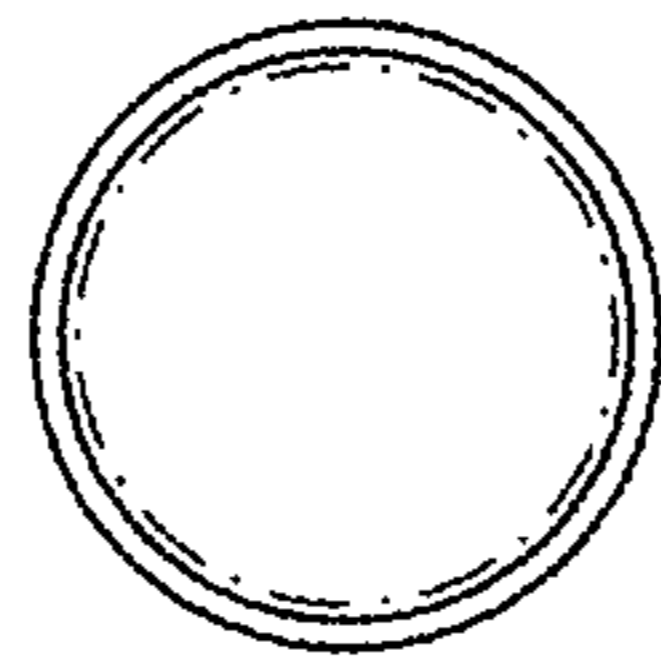


FIG.4

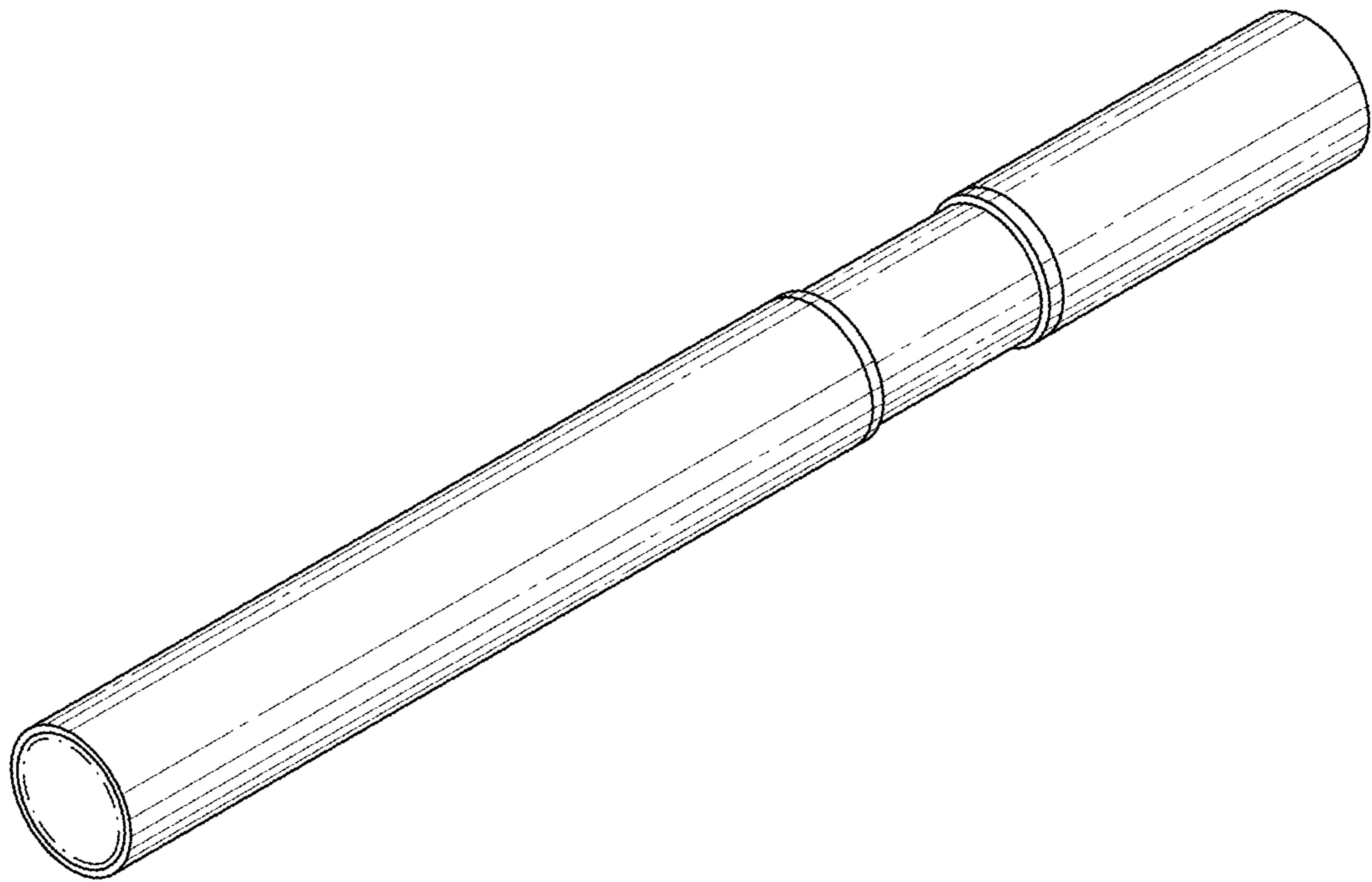


FIG.5