



US00D803471S

(12) **United States Design Patent** (10) **Patent No.:** **US D803,471 S**
Mjelde (45) **Date of Patent:** **** Nov. 21, 2017**

(54) **ADJUSTABLE POOL LIGHT**
(71) Applicant: **Olaf Mjelde**, Ventura, CA (US)
(72) Inventor: **Olaf Mjelde**, Ventura, CA (US)
(**) Term: **15 Years**
(21) Appl. No.: **29/561,492**
(22) Filed: **Apr. 15, 2016**
(51) **LOC (10) Cl.** **26-99**
(52) **U.S. Cl.**
USPC **D26/119**
(58) **Field of Classification Search**
USPC D26/24, 72, 74, 118, 119, 124
CPC F21V 31/00; F21V 15/00; F21V 15/01;
F21S 8/00; F21S 8/024; F21S 8/032
See application file for complete search history.

D591,863 S 5/2009 Holtsnider et al.
D610,741 S 2/2010 Trimi
D670,855 S * 11/2012 Turner D26/123
D724,775 S * 3/2015 van Dijk D26/74
D734,861 S 7/2015 Johnson et al.

* cited by examiner

Primary Examiner — Brian N Vinson
(74) *Attorney, Agent, or Firm* — Robert Lauson; Lauson & Tarver LLP

(56) **References Cited**
U.S. PATENT DOCUMENTS
D320,862 S 10/1991 Moeller et al.
D328,650 S * 8/1992 Jones D26/81
5,842,771 A * 12/1998 Thrasher F21V 15/01
362/101
D457,677 S * 5/2002 Landefeld D26/67
D488,583 S * 4/2004 Benghozi D26/118
7,125,146 B2 * 10/2006 Willis F21S 8/00
340/852
D573,715 S 7/2008 Holtsnider et al.
D574,501 S 8/2008 Holtsnider et al.
D581,089 S * 11/2008 St-Hilaire D26/118

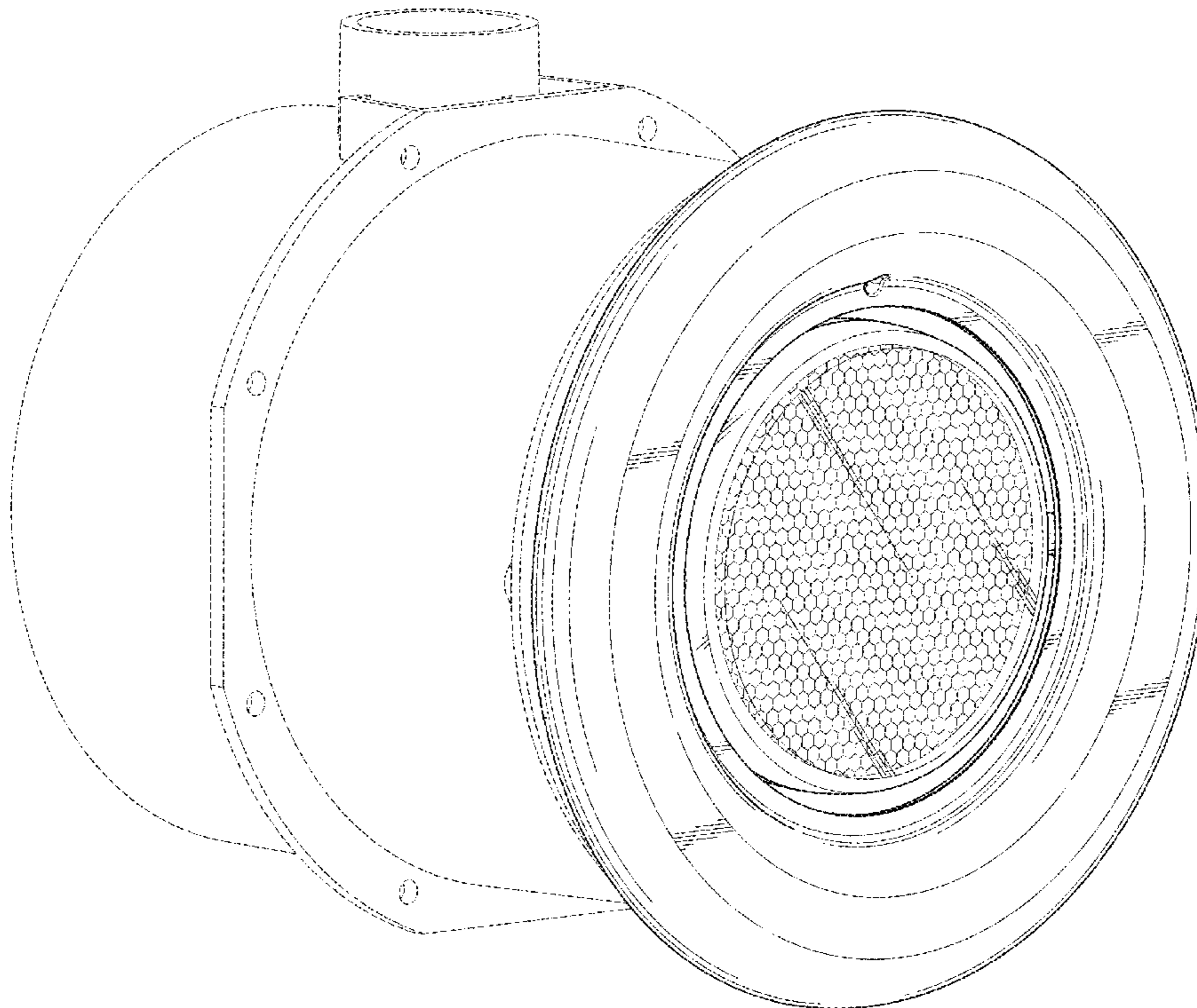
(57) **CLAIM**

I claim the ornamental design for an adjustable pool light, as shown and described.

DESCRIPTION

FIG. 1 is a front and left side perspective view of an adjustable pool light showing my new design; FIG. 2 is a right side elevation view thereof, the left side being a mirror image thereof; FIG. 3 is a top plan view thereof; FIG. 4 is a bottom plan view thereof; FIG. 5 is a front elevational view thereof; and, FIG. 6 is a rear elevational view thereof. The broken line disclosure represents portions of the light which forms no part of the claimed design.

1 Claim, 6 Drawing Sheets



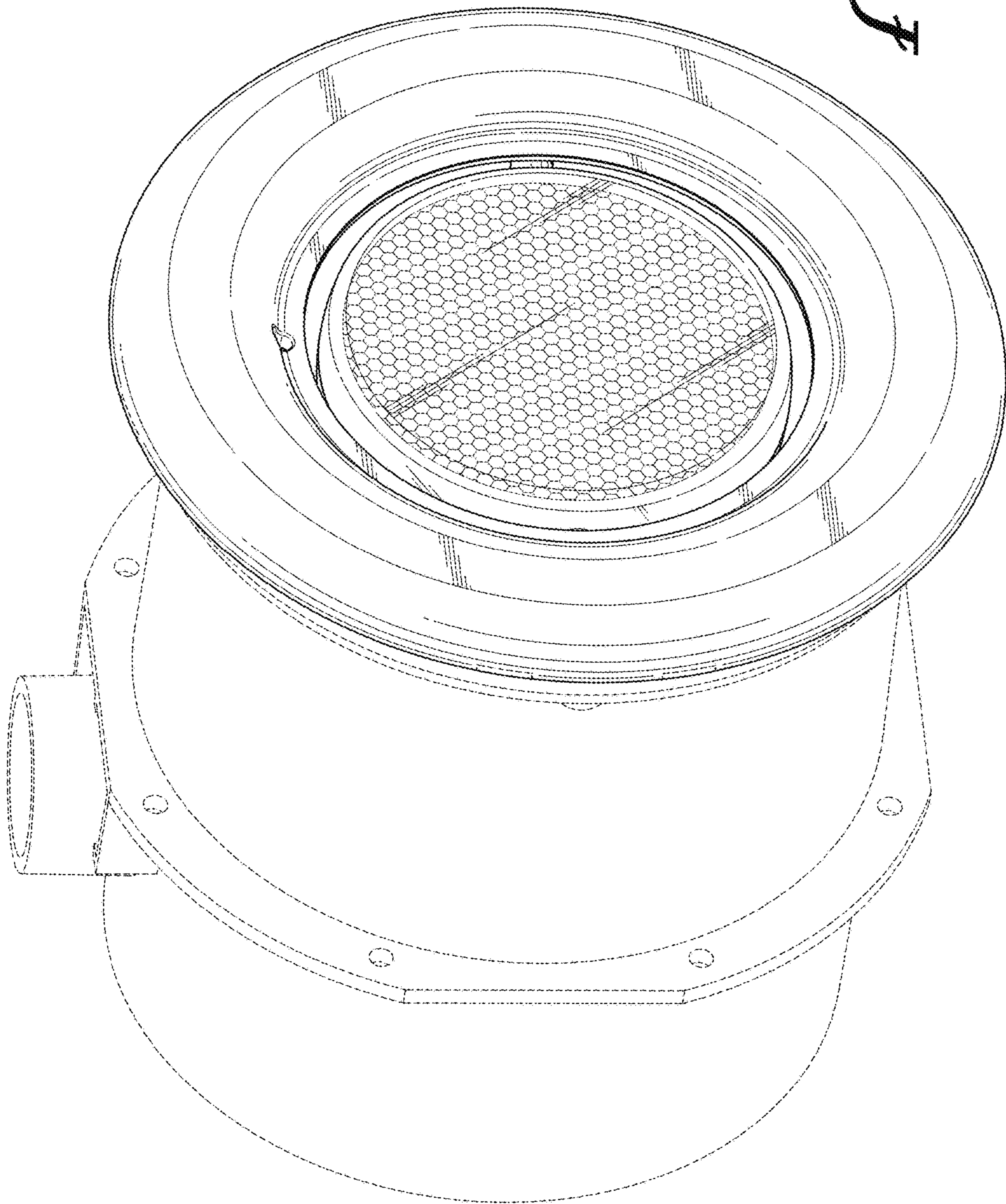
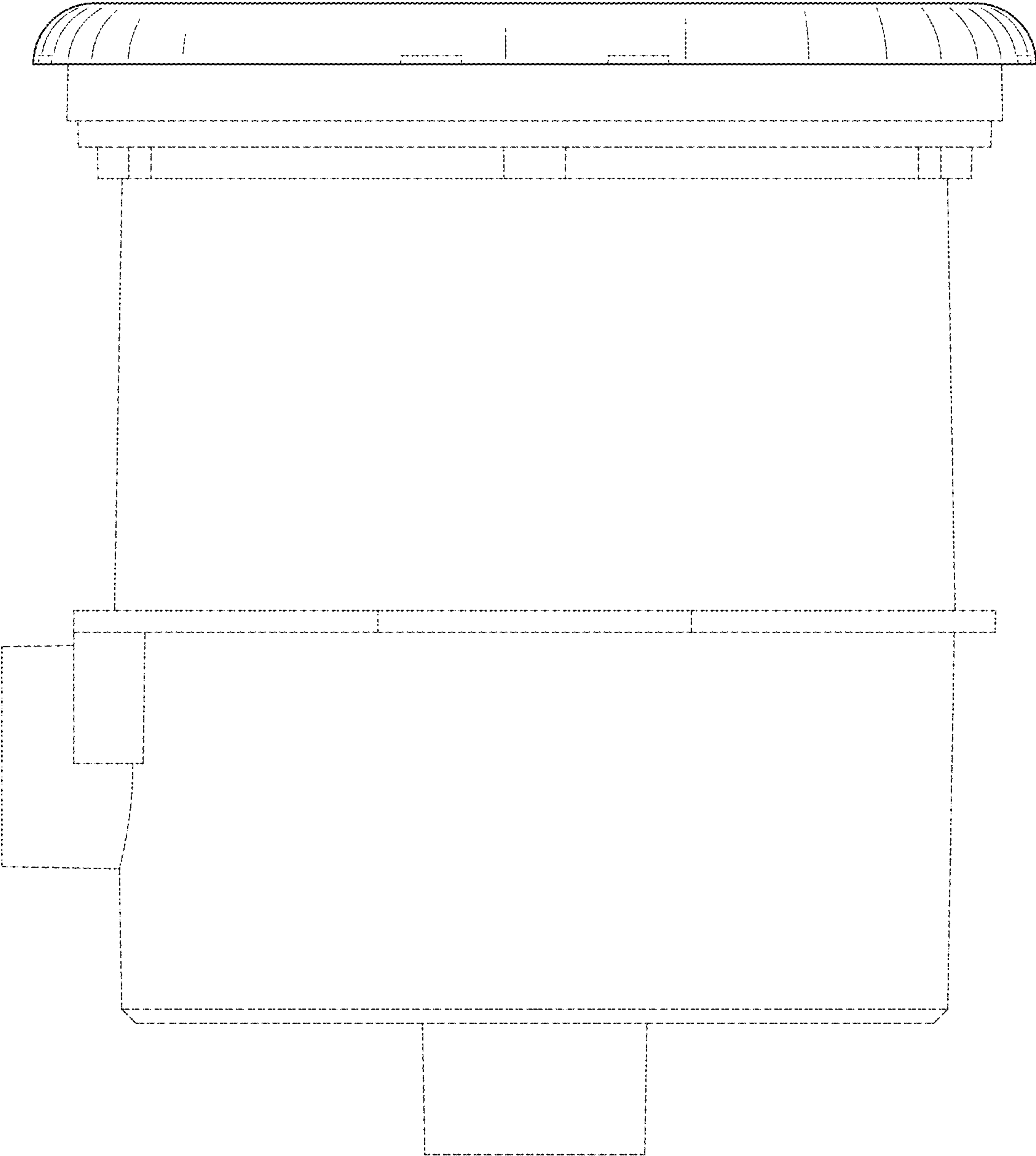


FIG. 1

FIG. 2



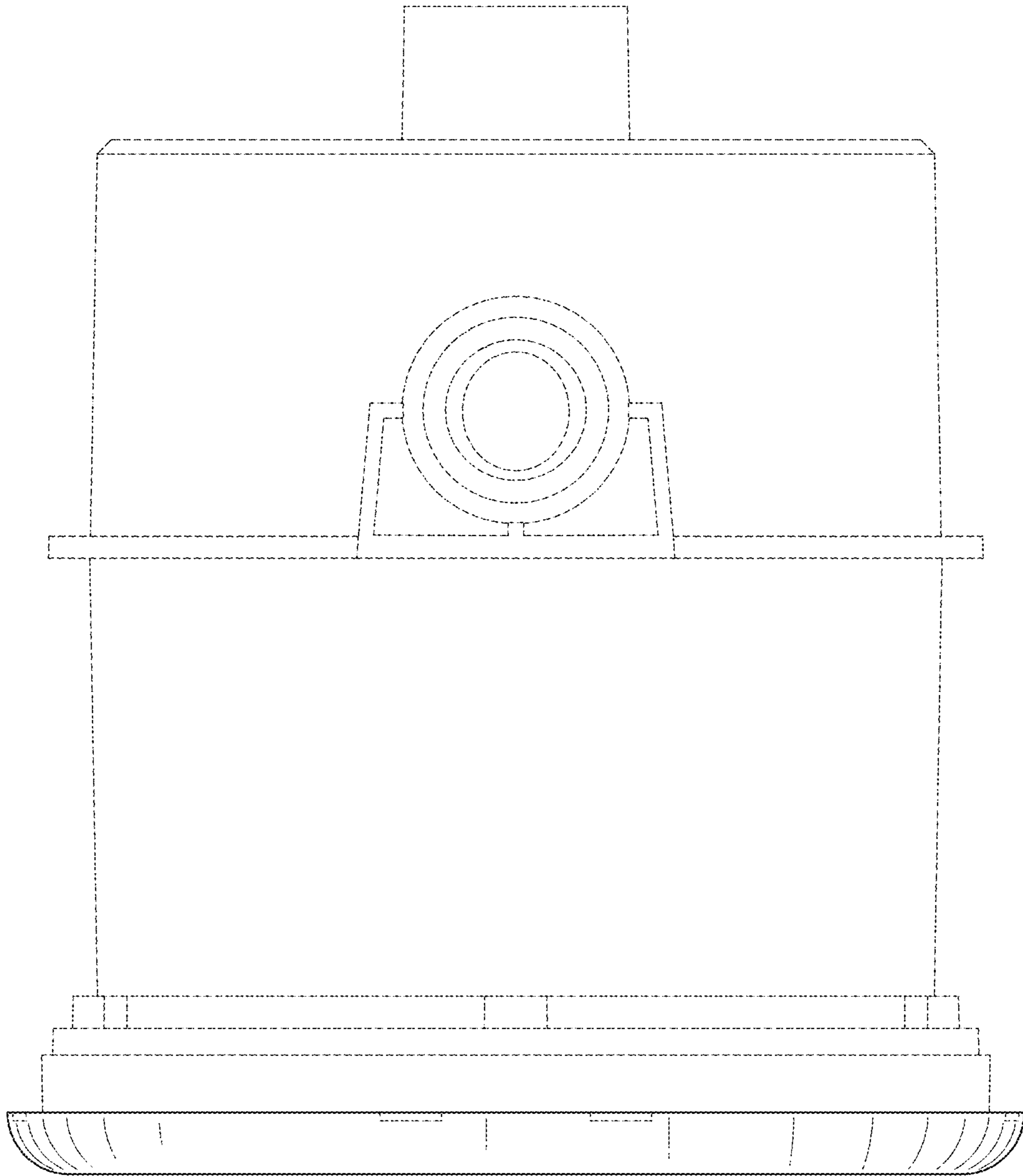


Fig. 3

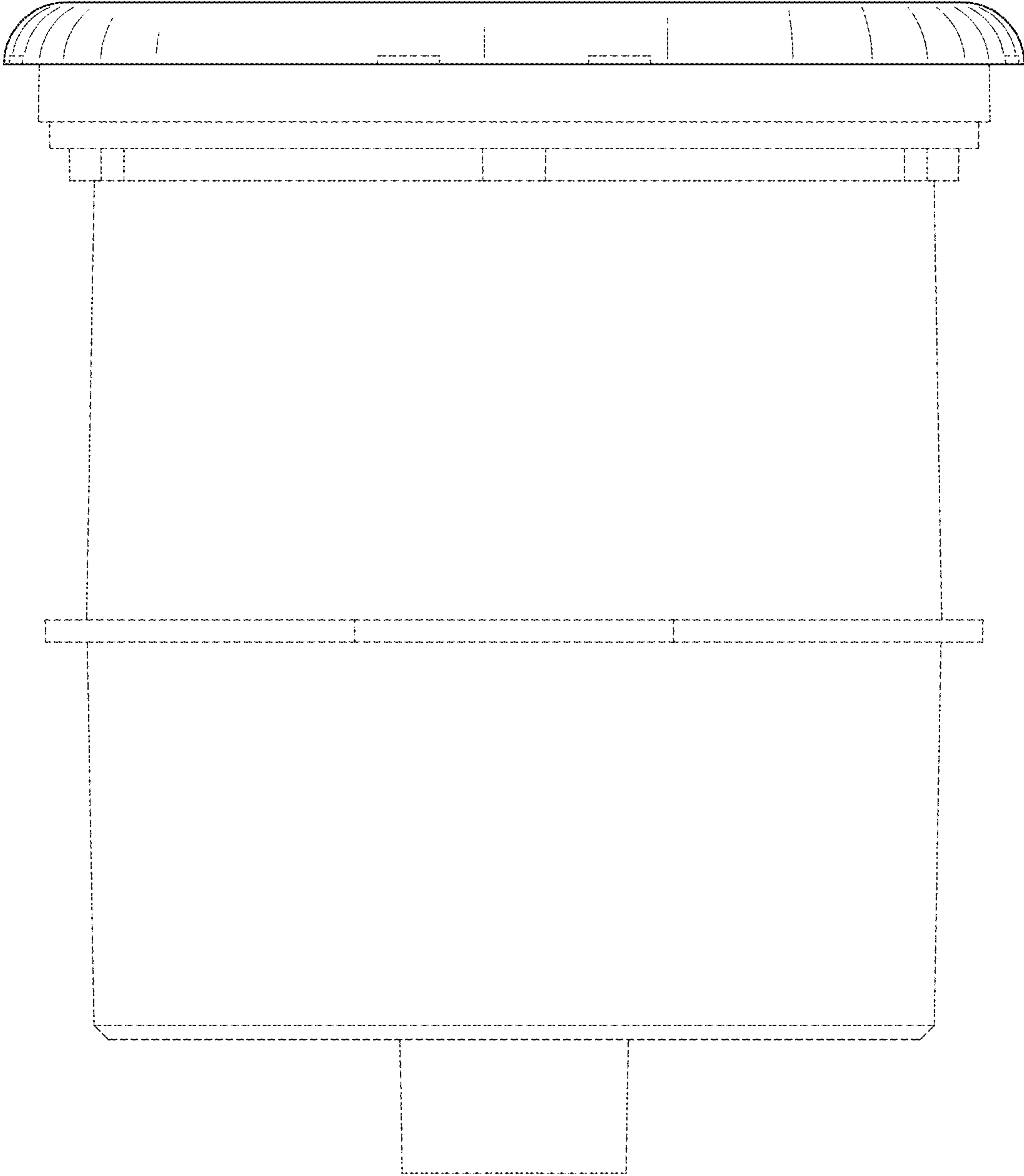


FIG. 4

FIG. 5

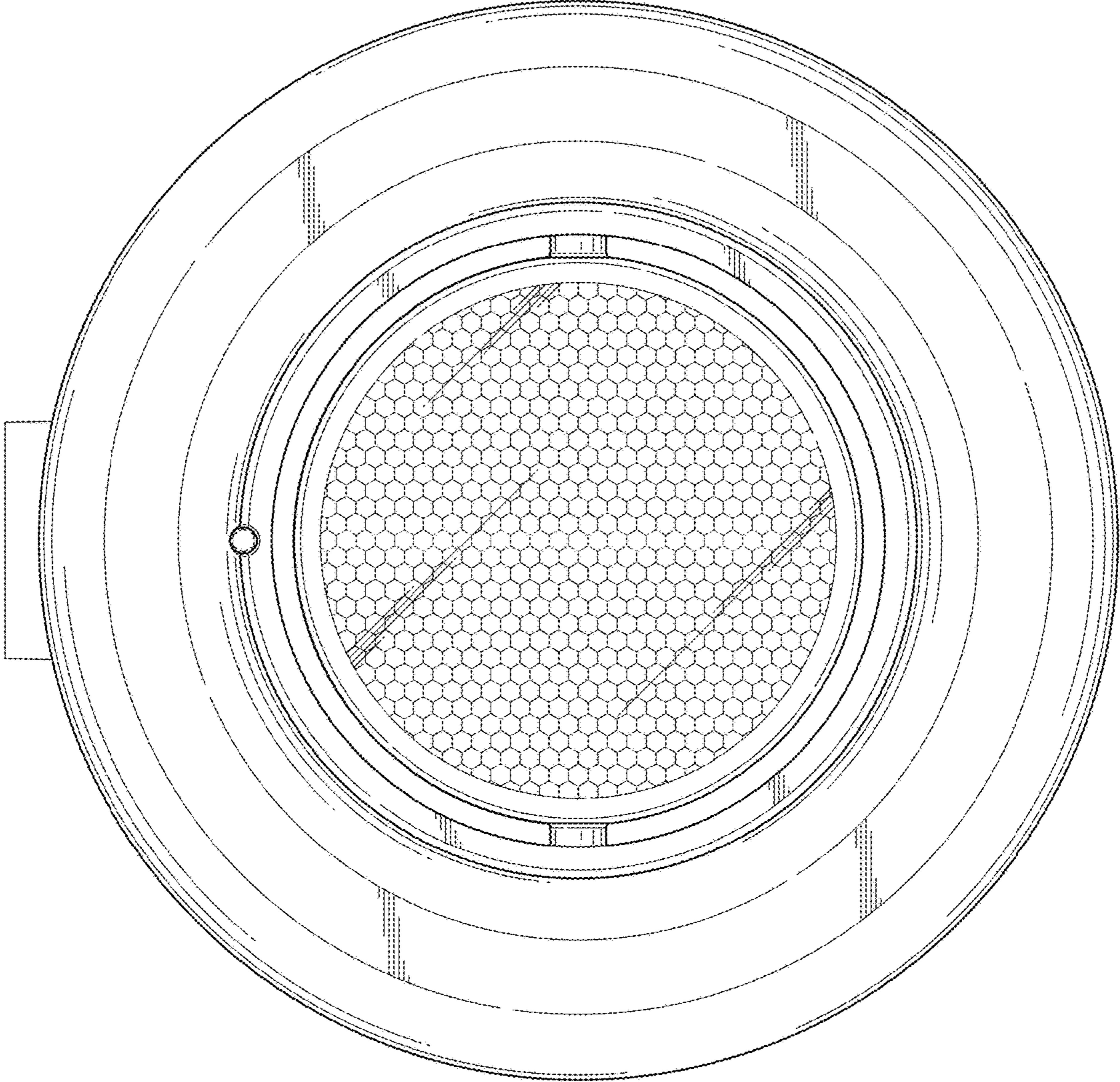


FIG. 6

