



US00D803461S

(12) **United States Design Patent**  
**Jeswani et al.**

(10) **Patent No.:** **US D803,461 S**

(45) **Date of Patent:** **\*\* Nov. 21, 2017**

(54) **LAMP**

(71) Applicant: **LEDVANCE LLC**, Wilmington, MA (US)

(72) Inventors: **Anil Jeswani**, Acton, MA (US); **Jean-Francois Rouleau**, Charlestown, MA (US); **Valeriy Zolotykh**, Abington, MA (US); **Anu Mathew**, Lynnfield, MA (US); **Hongbiao Hou**, Xiamen (CN); **Chunwei Pan**, Teng (CN)

(\*\*) Term: **15 Years**

(21) Appl. No.: **29/566,875**

(22) Filed: **Jun. 3, 2016**

(51) **LOC (10) Cl.** ..... **26-03**

(52) **U.S. Cl.**  
USPC ..... **D26/89**

(58) **Field of Classification Search**  
USPC ..... D26/67, 72, 83, 85, 86, 88, 89, 131  
CPC .... F21S 8/06; F21S 8/061; F21S 8/063; F21S 8/065; F21S 8/068; F21V 3/0418; F21V 3/0427; F21V 3/0436; F21V 3/0445; F21V 21/008; F21V 21/104  
See application file for complete search history.

(56) **References Cited**

**U.S. PATENT DOCUMENTS**

D50,208 S *	1/1917	Peck	.....	D26/131
D56,074 S *	8/1920	Mathieu	.....	D26/131
D57,416 S *	3/1921	Adam	.....	D26/131
D73,538 S *	9/1927	Owen	.....	D26/131
D73,864 S *	11/1927	Owen	.....	D26/131
D76,846 S *	11/1928	Arthur	.....	D26/131
D89,851 S *	5/1933	Metz	.....	D26/131
3,248,534 A *	4/1966	Walters	.....	F21S 8/04 248/343

D354,369 S *	1/1995	Pearce	.....	D26/130
D461,272 S *	8/2002	Davis, Jr.	.....	D26/128
D514,733 S *	2/2006	Benensohn	.....	D26/89
D689,236 S *	9/2013	Wang	.....	D26/59
D698,480 S *	1/2014	Moeller	.....	D26/89
D729,970 S *	5/2015	Jepson	.....	D26/89
D776,326 S *	1/2017	Van Winkle	.....	D26/89
D785,848 S *	5/2017	Couture	.....	D26/89
2016/0018093 A1	1/2016	Van Winkle		

**FOREIGN PATENT DOCUMENTS**

CN 201547604 8/2010

**OTHER PUBLICATIONS**

“Commercial Electric” 7-inch diameter EasyLight LED lamp Model 1000 016 474, marketed by Home Depot in USA (2015), four (4) views (2 pages, color).

\* cited by examiner

*Primary Examiner* — Clare E Heflin

(74) *Attorney, Agent, or Firm* — Andrew Martin

(57) **CLAIM**

The ornamental design for a lamp, as shown and described.

**DESCRIPTION**

FIG. 1 is a perspective view of the new design for a lamp as seen from the rear, side;

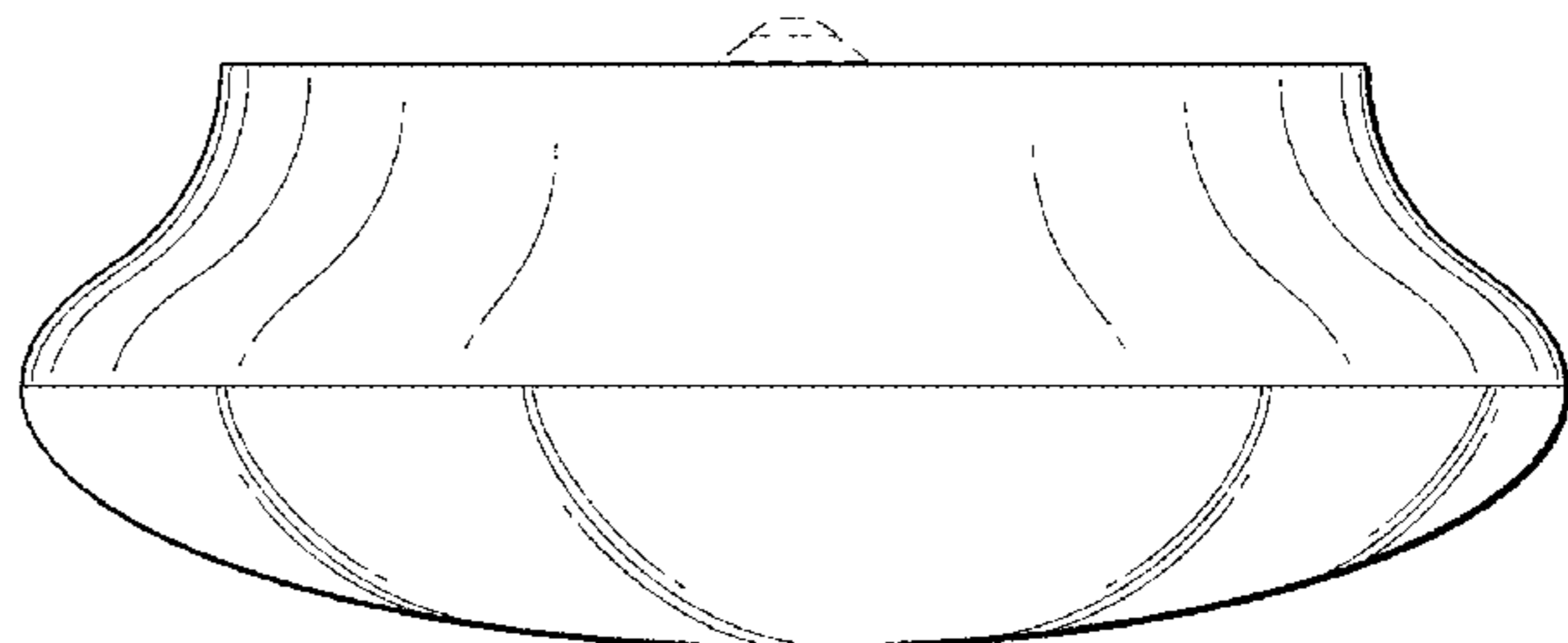
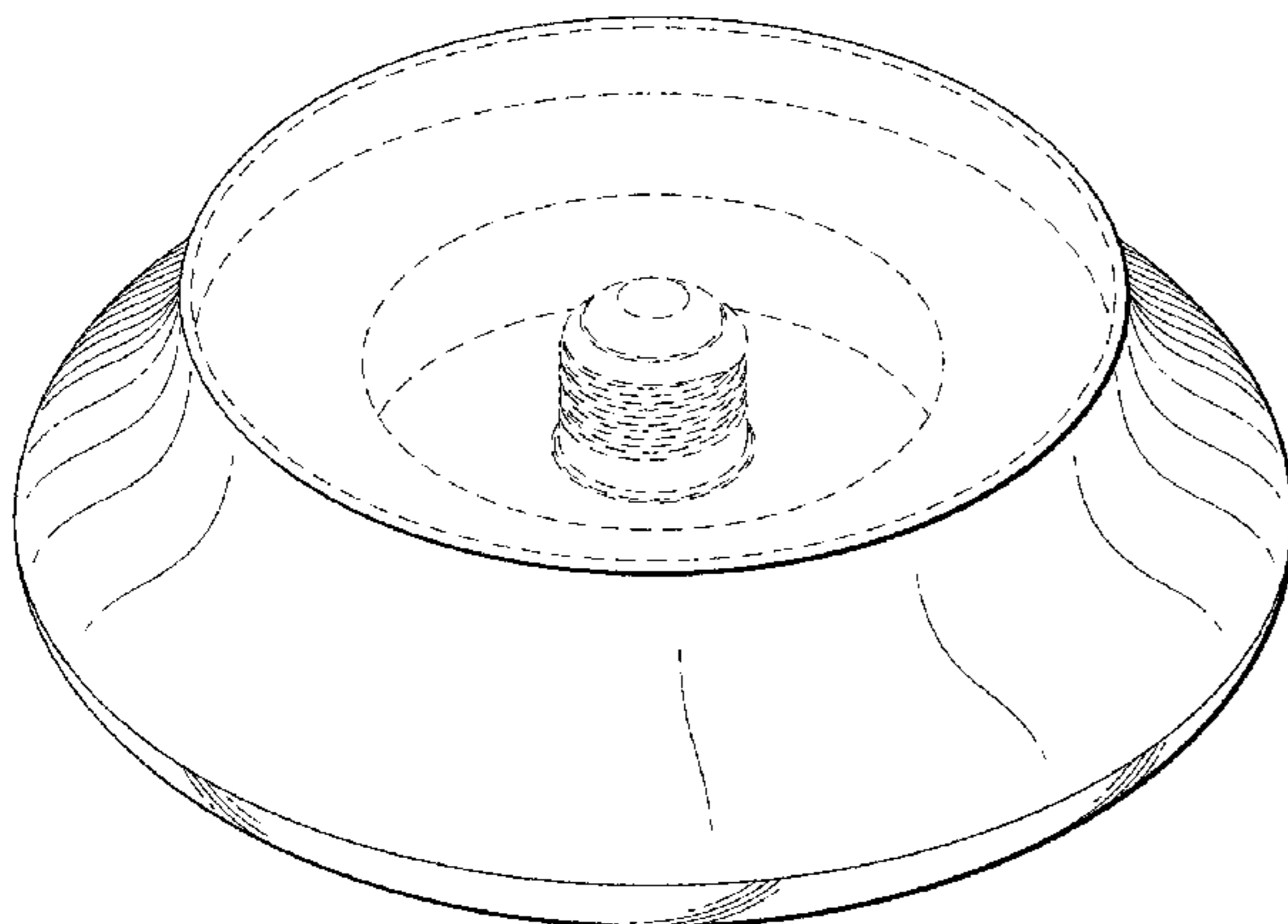
FIG. 2 is a side elevational view thereof, views from other sides being the same, the design being rotationally symmetric;

FIG. 3 is a bottom plan view thereof; and,

FIG. 4 is a top plan view thereof.

The broken line disclosure is for environmental purposes only and does not form a part of the claimed design.

**1 Claim, 4 Drawing Sheets**



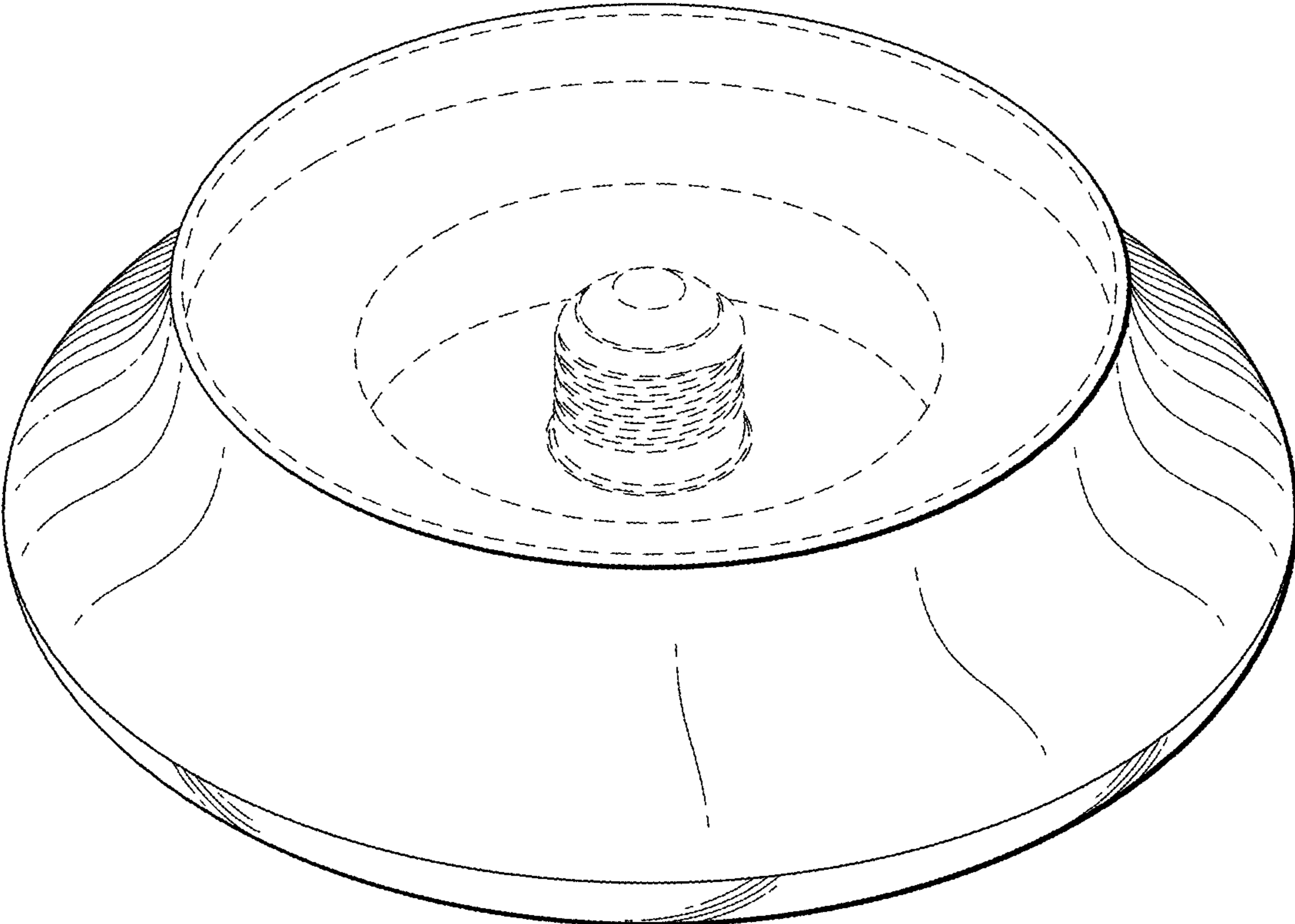


FIG. 1

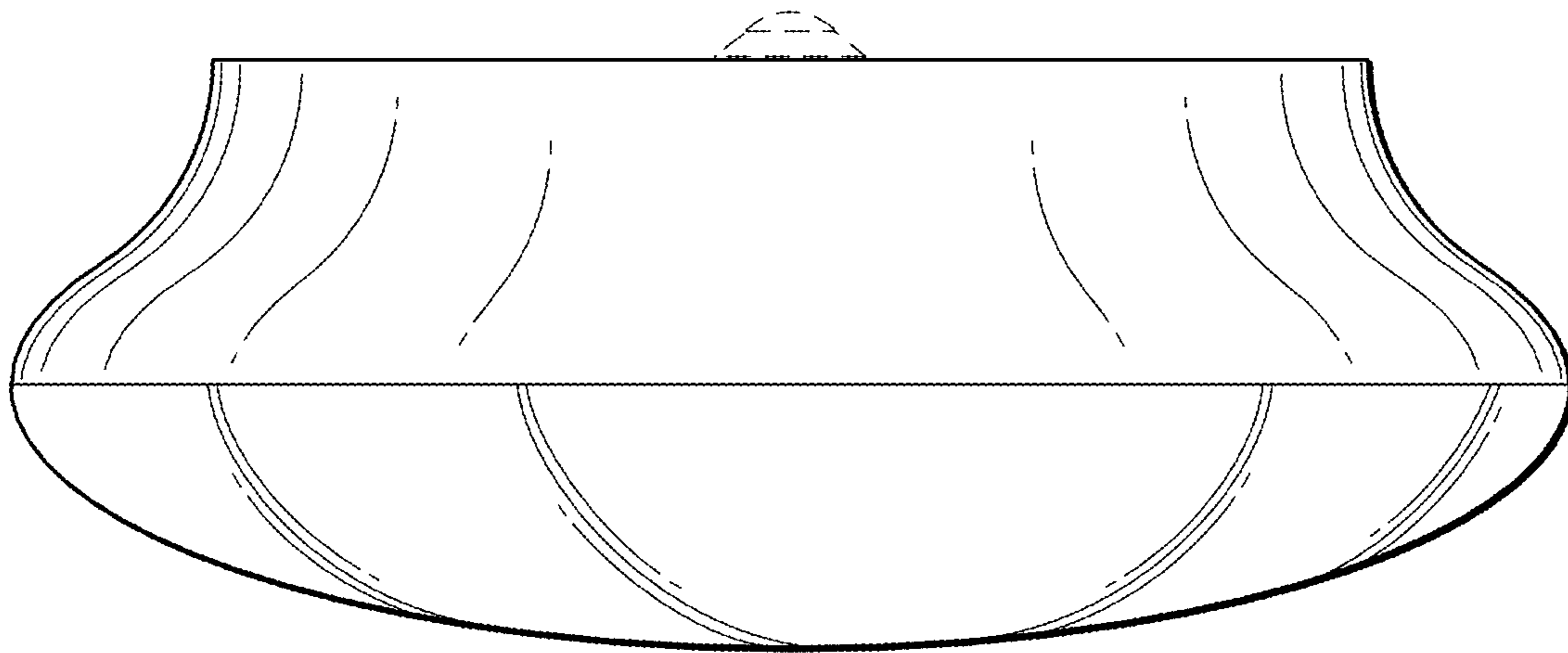


FIG. 2

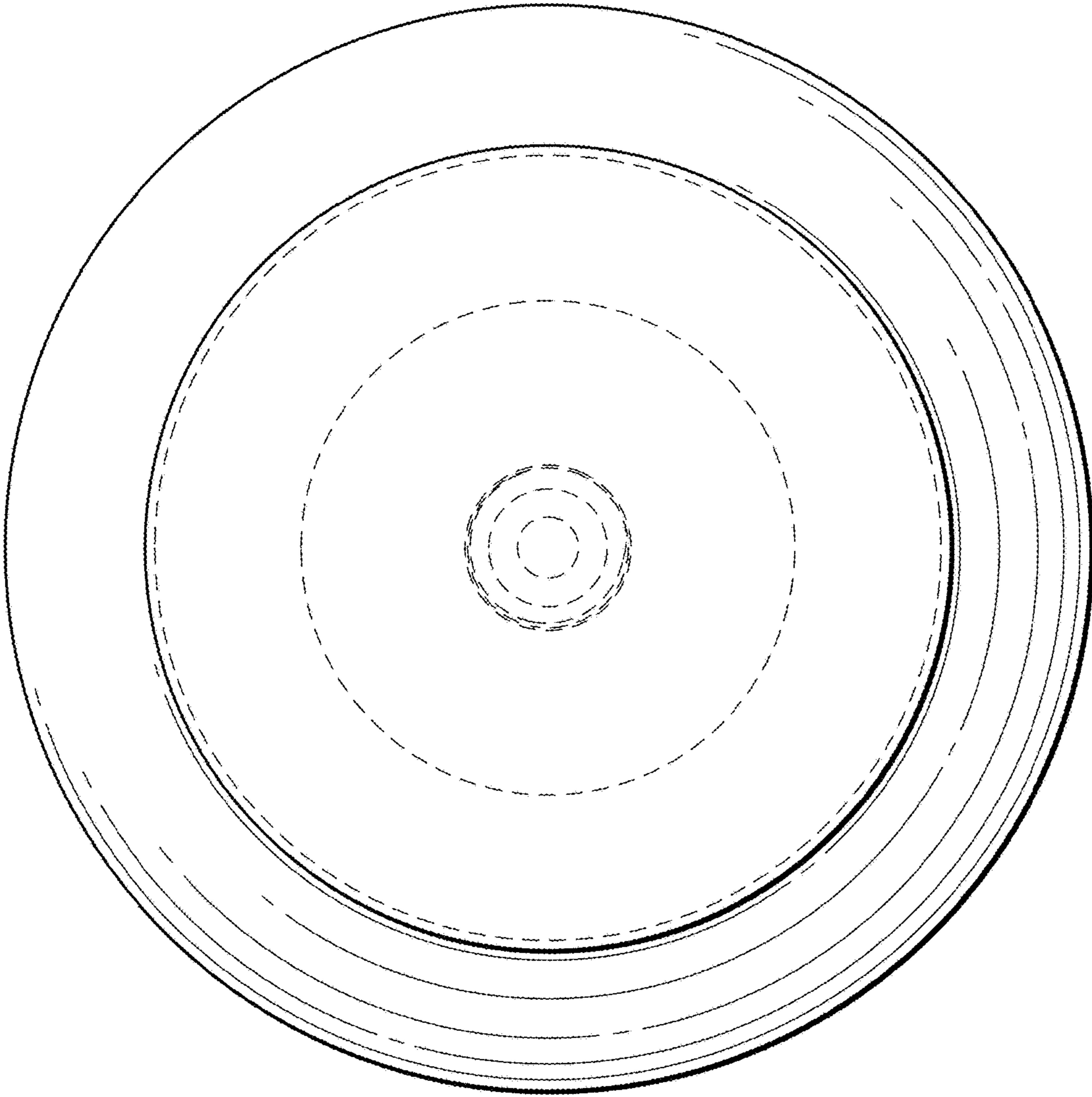


FIG. 3

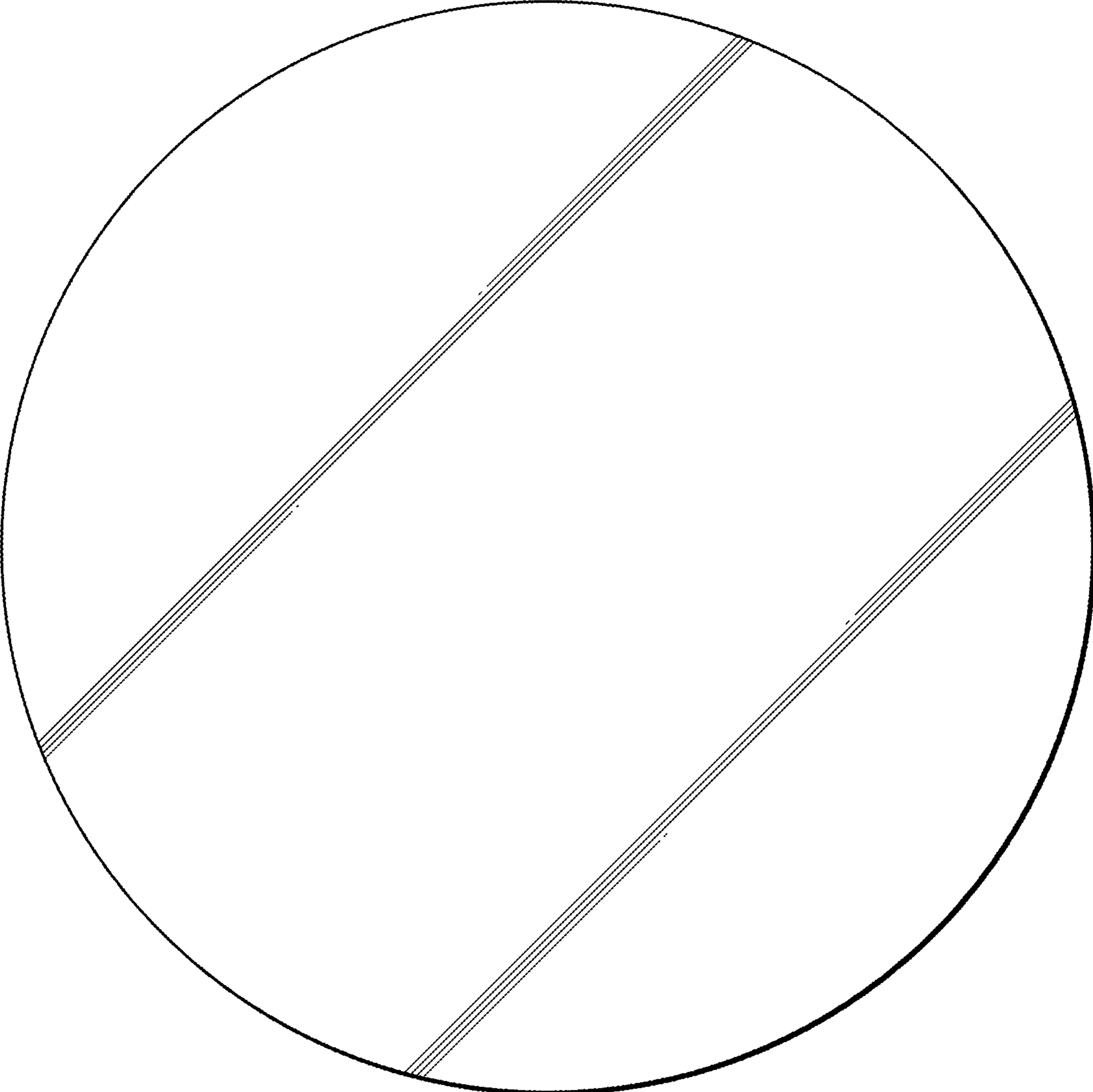


FIG. 4