



US00D803460S

(12) **United States Design Patent**
Engle et al.

(10) **Patent No.:** **US D803,460 S**

(45) **Date of Patent:** **** Nov. 21, 2017**

(54) **BAY LUMINAIRE**

(71) Applicant: **Hubbell Incorporated**, Shelton, CT
(US)

(72) Inventors: **Joseph Engle**, Taylors, SC (US);
Thomas Holscher, Simpsonville, SC
(US); **Alan Seward**, Simpsonville, SC
(US)

(73) Assignee: **Hubbell Incorporated**, Shelton, CT
(US)

(**) Term: **15 Years**

(21) Appl. No.: **29/562,054**

(22) Filed: **Apr. 22, 2016**

(51) **LOC (10) Cl.** **26-03**

(52) **U.S. Cl.**
USPC **D26/88; D26/72**

(58) **Field of Classification Search**
USPC D26/24, 63, 72, 80, 84, 88, 89, 118, 152
CPC F21S 8/04; F21S 8/026; F21S 8/033; F21S
8/036; F21S 8/03; F21S 8/043; F21S
8/046; F21S 8/06; F21S 8/061; F21S
8/063; F21S 8/068; F21S 13/02; F21V
21/04; F21V 17/02; F21V 17/04; F21V
17/164

See application file for complete search history.

(56) **References Cited**

U.S. PATENT DOCUMENTS

- D163,812 S * 7/1951 Mehr D26/63
- 3,413,462 A * 11/1968 Spero F21V 7/18
362/350
- 4,300,190 A * 11/1981 Mershon F21V 21/02
362/147
- D268,876 S * 5/1983 Leithauser, Jr. D26/72
- 5,136,490 A * 8/1992 Morrison F21S 8/06
362/294
- D405,210 S * 2/1999 Egleston D26/73

- D418,938 S * 1/2000 McCartney D26/88
- D428,512 S * 7/2000 Minissi D26/88
- D442,720 S * 5/2001 Minissi D26/72
- D442,733 S * 5/2001 Minissi D26/118
- D450,406 S * 11/2001 Knappstein D26/118
- D488,880 S * 4/2004 Rahn D26/72
- D544,127 S * 6/2007 Posey D26/72
- D583,980 S * 12/2008 Guercio D26/88
- D588,298 S * 3/2009 Sabernig D26/88
- D588,299 S * 3/2009 Sabernig D26/88
- D592,792 S * 5/2009 Keller D26/88
- D627,502 S * 11/2010 Zheng D26/72
- D707,382 S * 6/2014 Ni D26/72
- D741,533 S * 10/2015 Yeh D26/72
- 2010/0020549 A1 * 1/2010 Arceneaux F21S 8/06
362/362
- 2012/0275163 A1 * 11/2012 Chen F21V 23/009
362/294
- 2014/0233233 A1 * 8/2014 Park F21V 29/004
362/249.02

(Continued)

OTHER PUBLICATIONS

LGI Technology "LEDzilla" High-Bay Acrylic fixture; © 2012.
From the lgitek.com website visited Dec. 13, 2016. (2 pages).*

Primary Examiner — Clare E Heflin
(74) *Attorney, Agent, or Firm* — Michael Best &
Friedrich, LLP

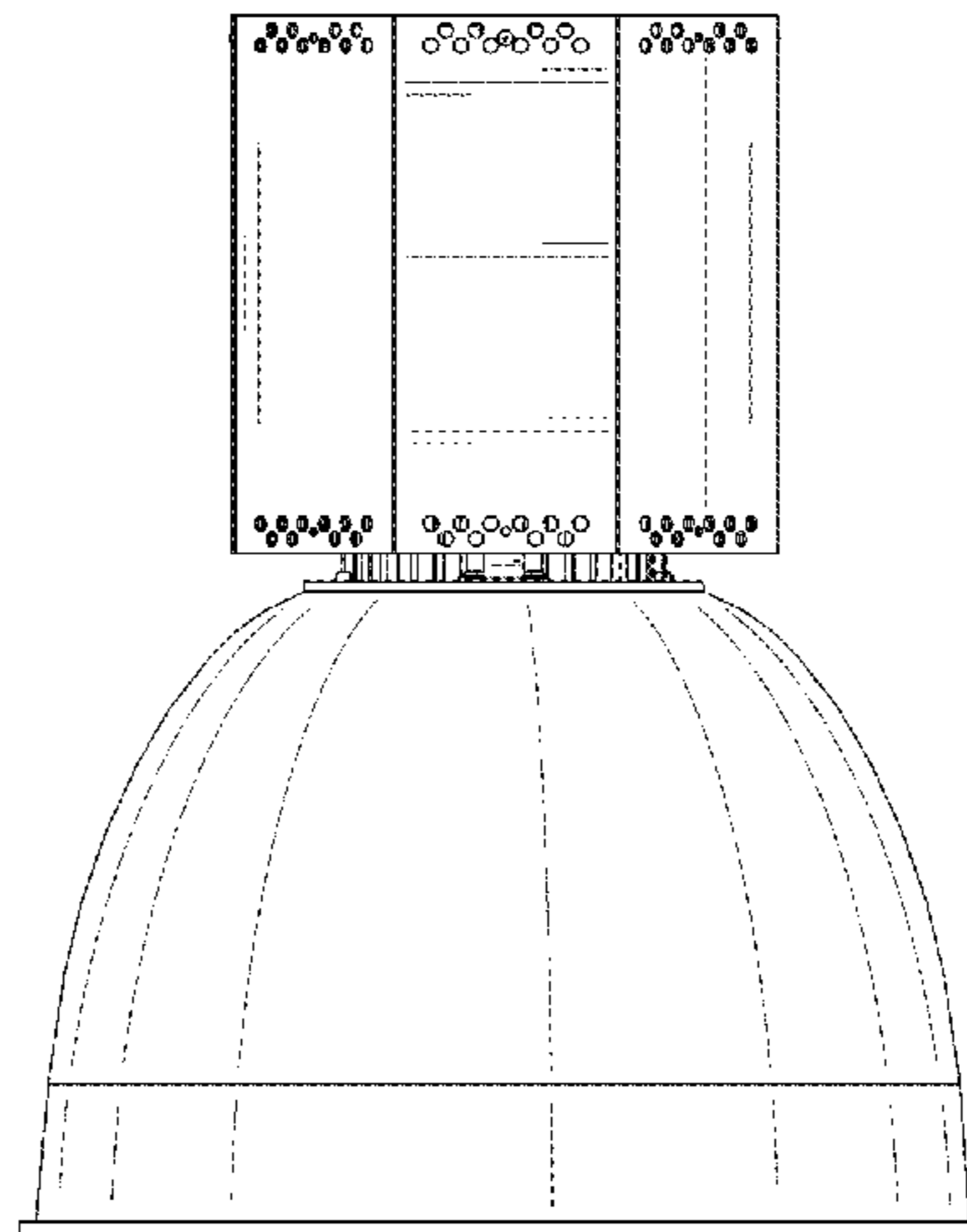
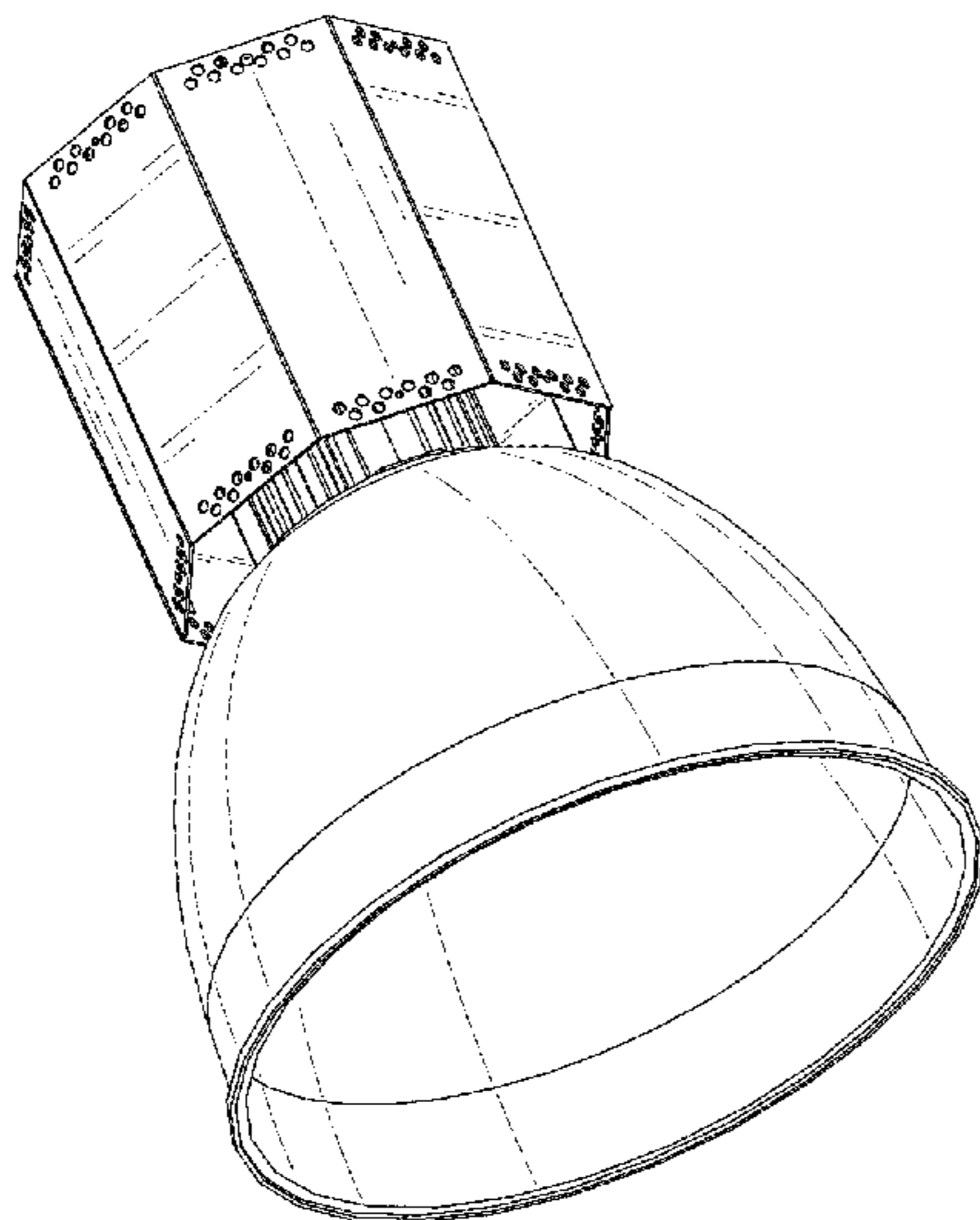
(57) **CLAIM**

The ornamental design for a bay luminaire, as shown and described.

DESCRIPTION

FIG. 1 is a top perspective view of an embodiment of the design;
FIG. 2 is a bottom perspective view of FIG. 1;
FIG. 3 is a side view of FIG. 1;
FIG. 4 is a top view of FIG. 1; and,
FIG. 5 is a bottom view of FIG. 1.

1 Claim, 2 Drawing Sheets



(56)

References Cited

U.S. PATENT DOCUMENTS

2015/0323162 A1* 11/2015 Xu F21S 8/00
362/311.02

* cited by examiner

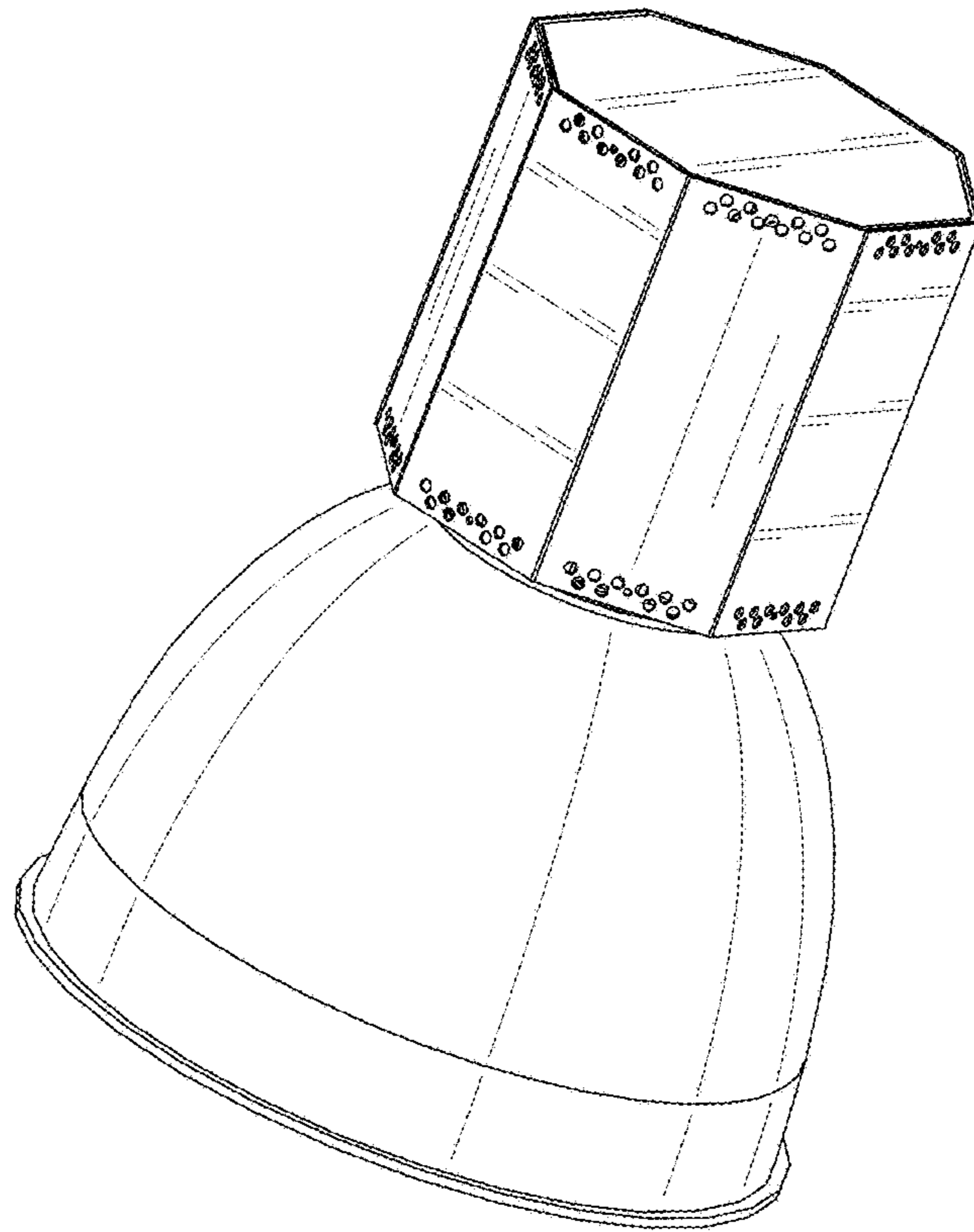


FIG. 1

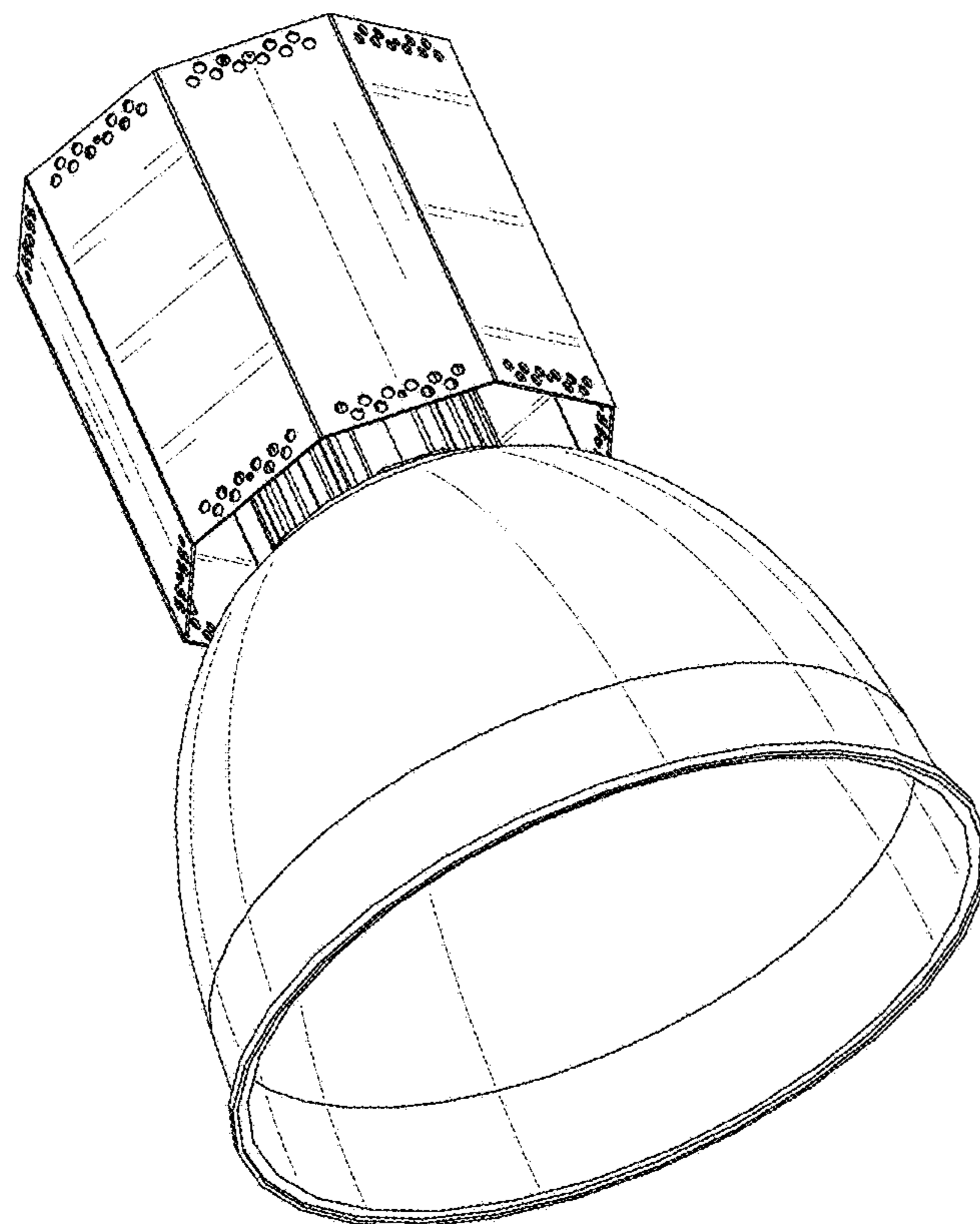


FIG. 2

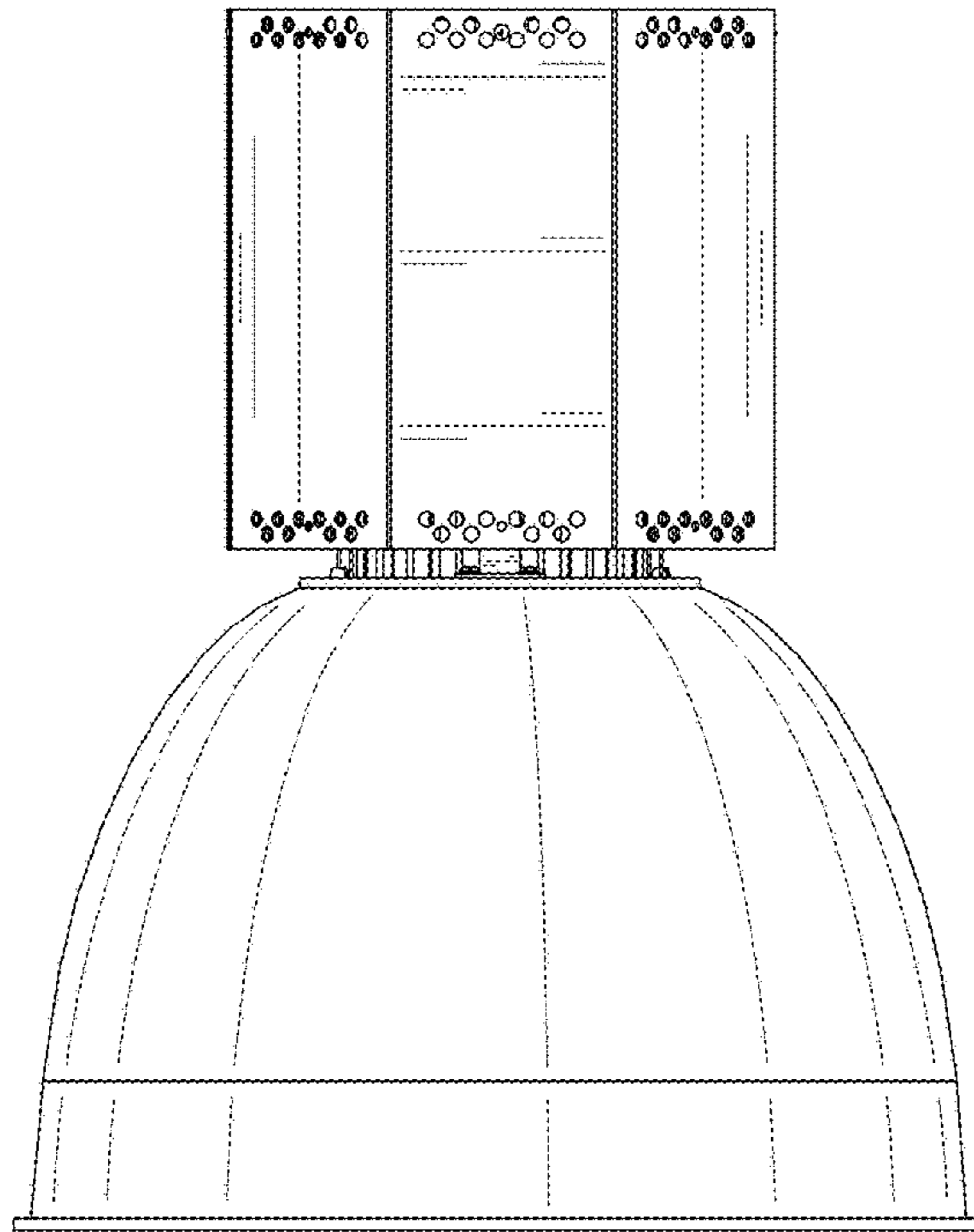


FIG. 3

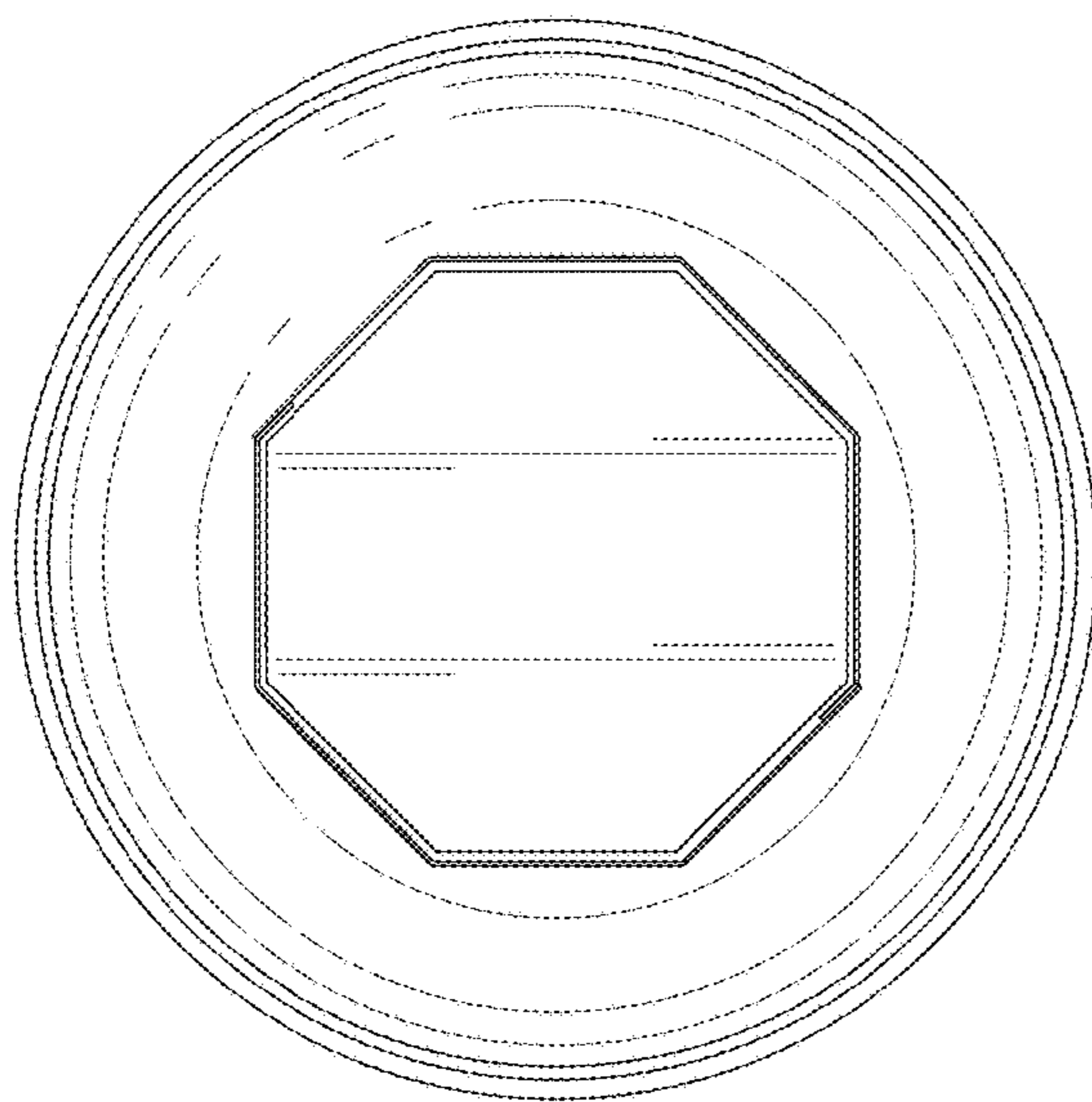


FIG. 4

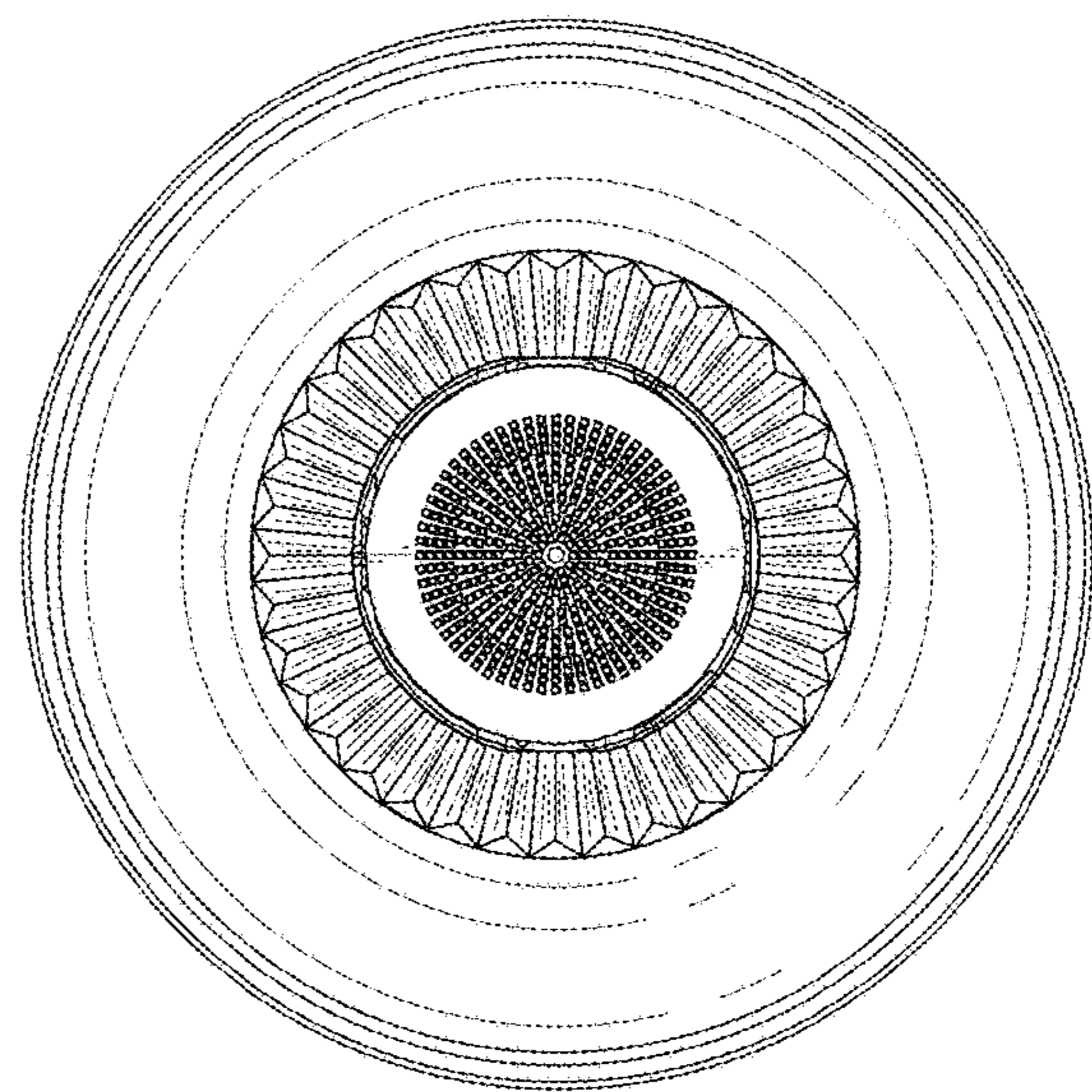


FIG. 5